



US00D680959S

(12) **United States Design Patent**  
**Katayanagi**

(10) **Patent No.:** **US D680,959 S**

(45) **Date of Patent:** **\*\* Apr. 30, 2013**

(54) **ELECTRICAL CONNECTOR**

(75) Inventor: **Masayuki Katayanagi**, Tokyo (JP)

(73) Assignee: **Japan Aviation Electronics Industry, Limited**, Tokyo (JP)

(\*\*) Term: **14 Years**

(21) Appl. No.: **29/428,797**

(22) Filed: **Aug. 3, 2012**

(30) **Foreign Application Priority Data**

Feb. 23, 2012 (JP) ..... 2012-003754

(51) **LOC (9) Cl.** ..... **13-03**

(52) **U.S. Cl.**  
USPC ..... **D13/147**

(58) **Field of Classification Search** ..... D13/147,  
D13/154, 184, 199; 439/79, 108, 350, 353,  
439/357, 358, 378, 447, 578, 567, 595, 607.01,  
439/607.04, 607.05, 607.17, 607.25, 607.34,  
439/607.41, 607.53, 660, 668, 677, 680-682,  
439/686

See application file for complete search history.

(56) **References Cited**

**U.S. PATENT DOCUMENTS**

D518,790 S \* 4/2006 Nishio et al. .... D13/147  
D526,621 S \* 8/2006 Shang Yen et al. .... D13/147  
D527,347 S \* 8/2006 Shang Yen et al. .... D13/147

D624,021 S \* 9/2010 Wang et al. .... D13/147  
D647,860 S \* 11/2011 Wang ..... D13/147  
D647,861 S \* 11/2011 Wang ..... D13/147  
D671,077 S \* 11/2012 Su ..... D13/147

\* cited by examiner

*Primary Examiner* — Daniel Bui

(74) *Attorney, Agent, or Firm* — Westerman, Hattori,  
Daniels & Adrian, LLP

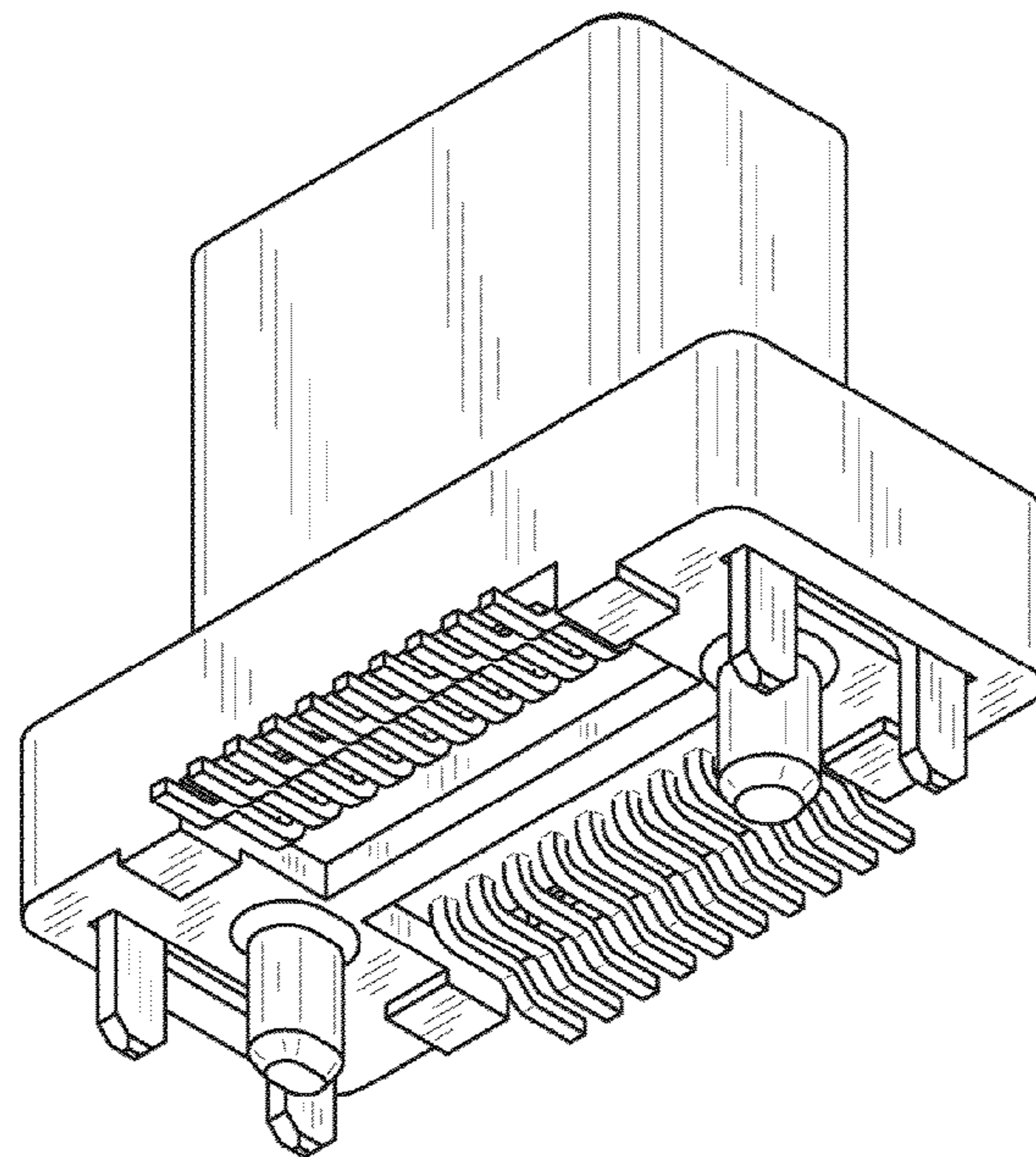
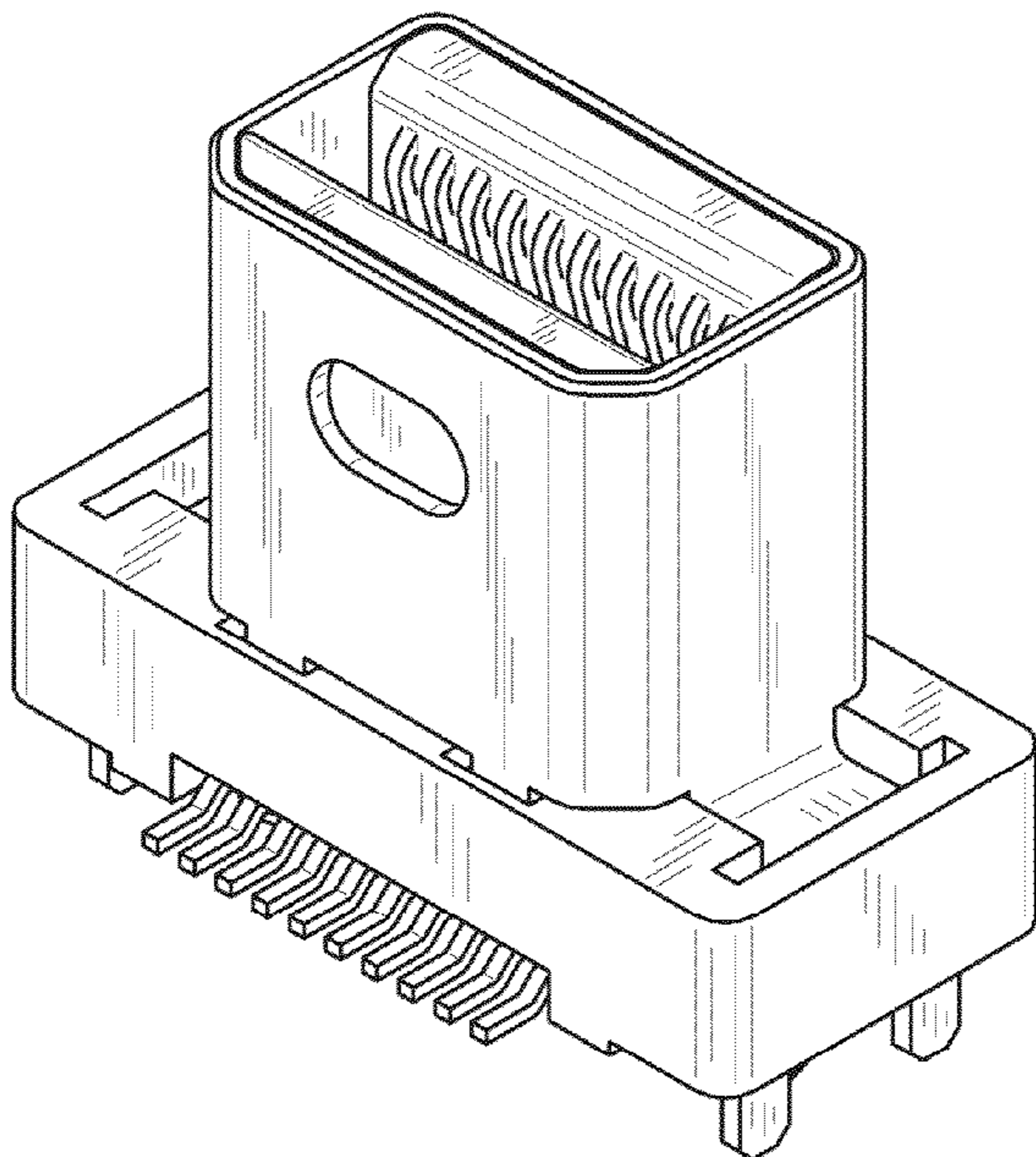
(57) **CLAIM**

The ornamental design for an electrical connector, as shown and described.

**DESCRIPTION**

FIG. 1 is a front elevational view of an electrical connector, showing my new design;  
FIG. 2 is a rear elevational view thereof;  
FIG. 3 is a right side elevational view thereof;  
FIG. 4 is a left side elevational view thereof;  
FIG. 5 is a top plan view thereof;  
FIG. 6 is a bottom plan view thereof;  
FIG. 7 is a cross-sectional view, taken along line 7-7 of FIG. 1;  
FIG. 8 is a right front perspective view showing the top thereof;  
FIG. 9 is a left rear perspective view showing the bottom thereof;  
FIG. 10 is a right front perspective view showing the bottom thereof; and,  
FIG. 11 is a left rear perspective view showing the top thereof.

**1 Claim, 6 Drawing Sheets**



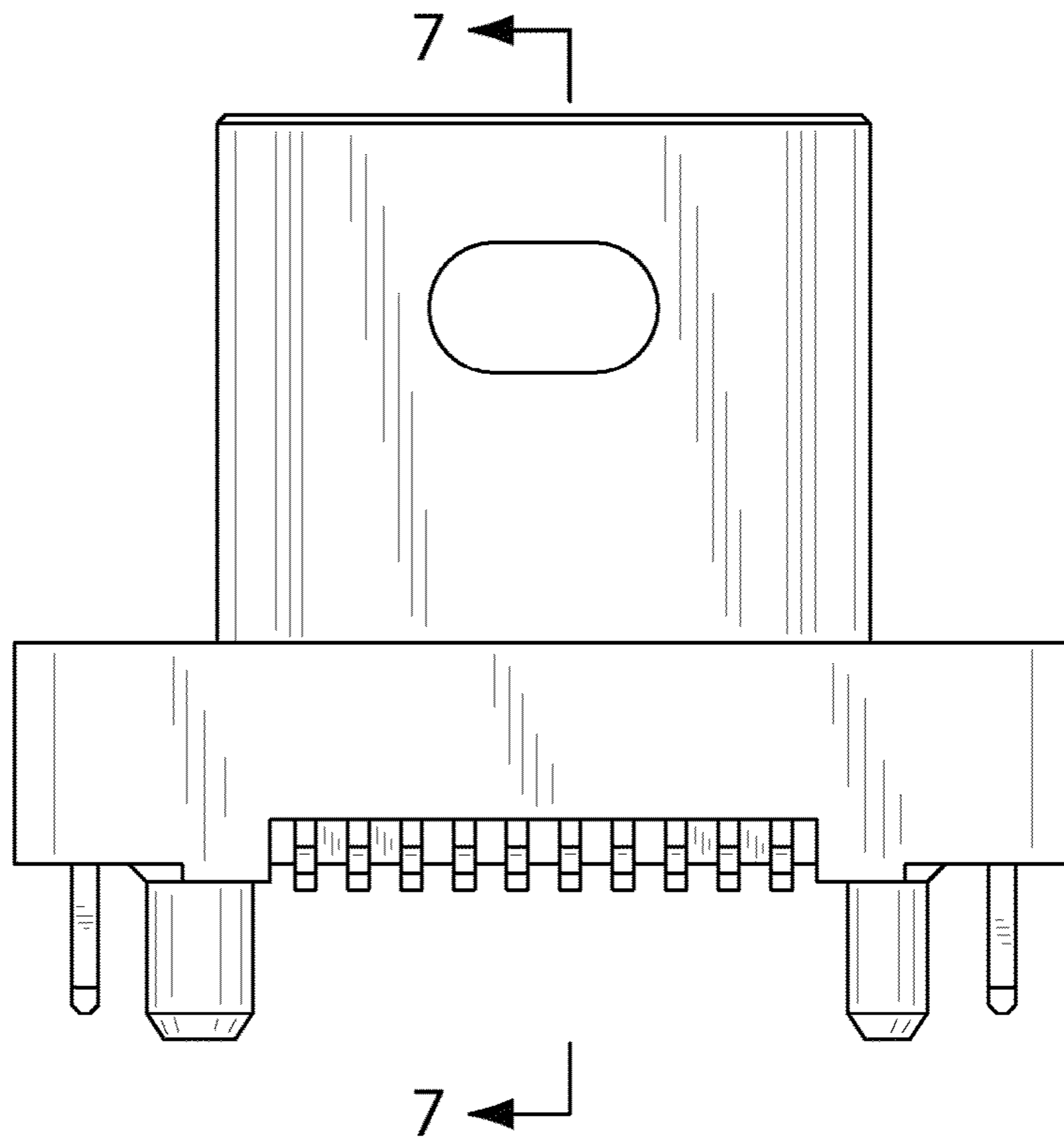


FIG. 1

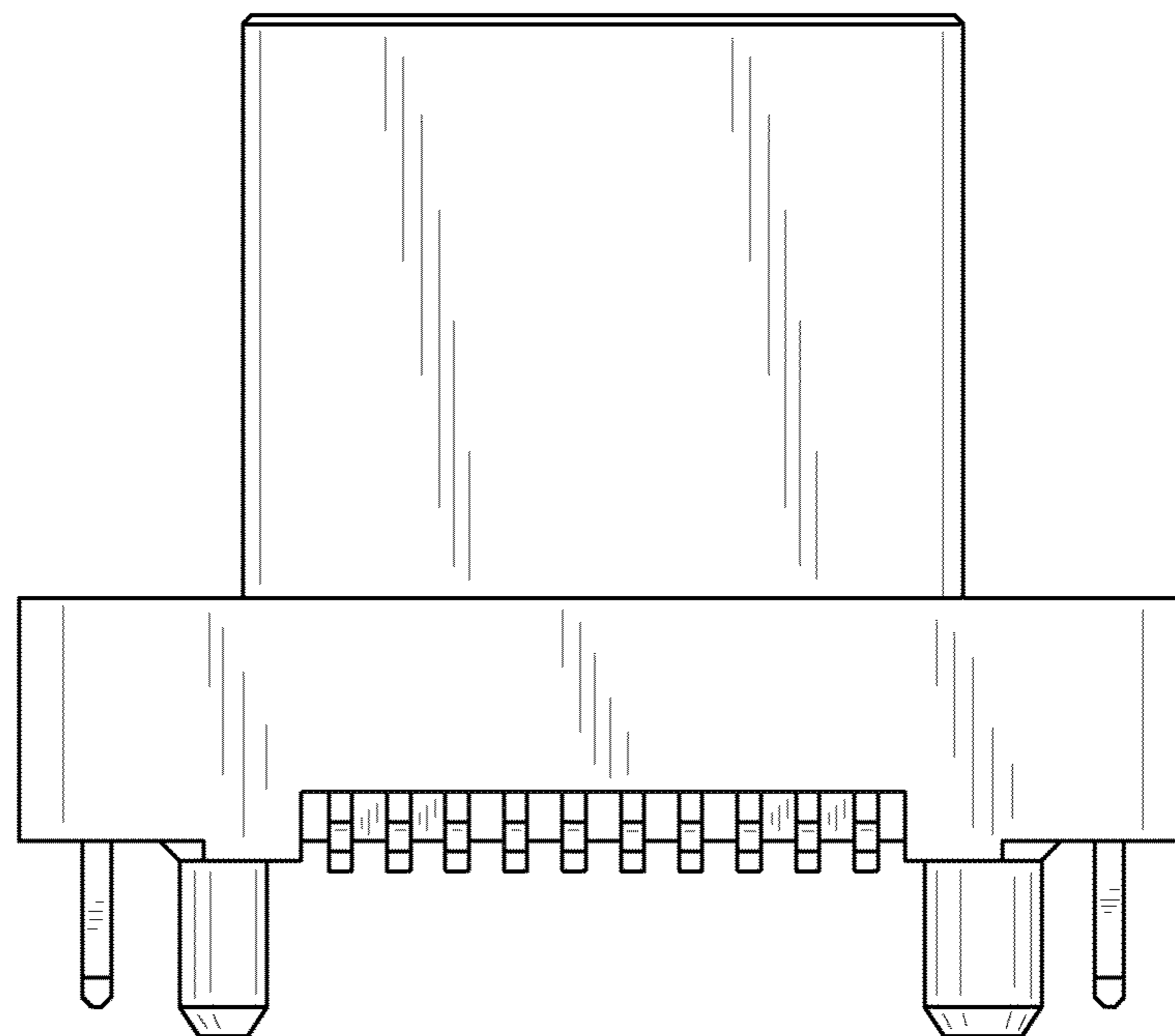


FIG. 2

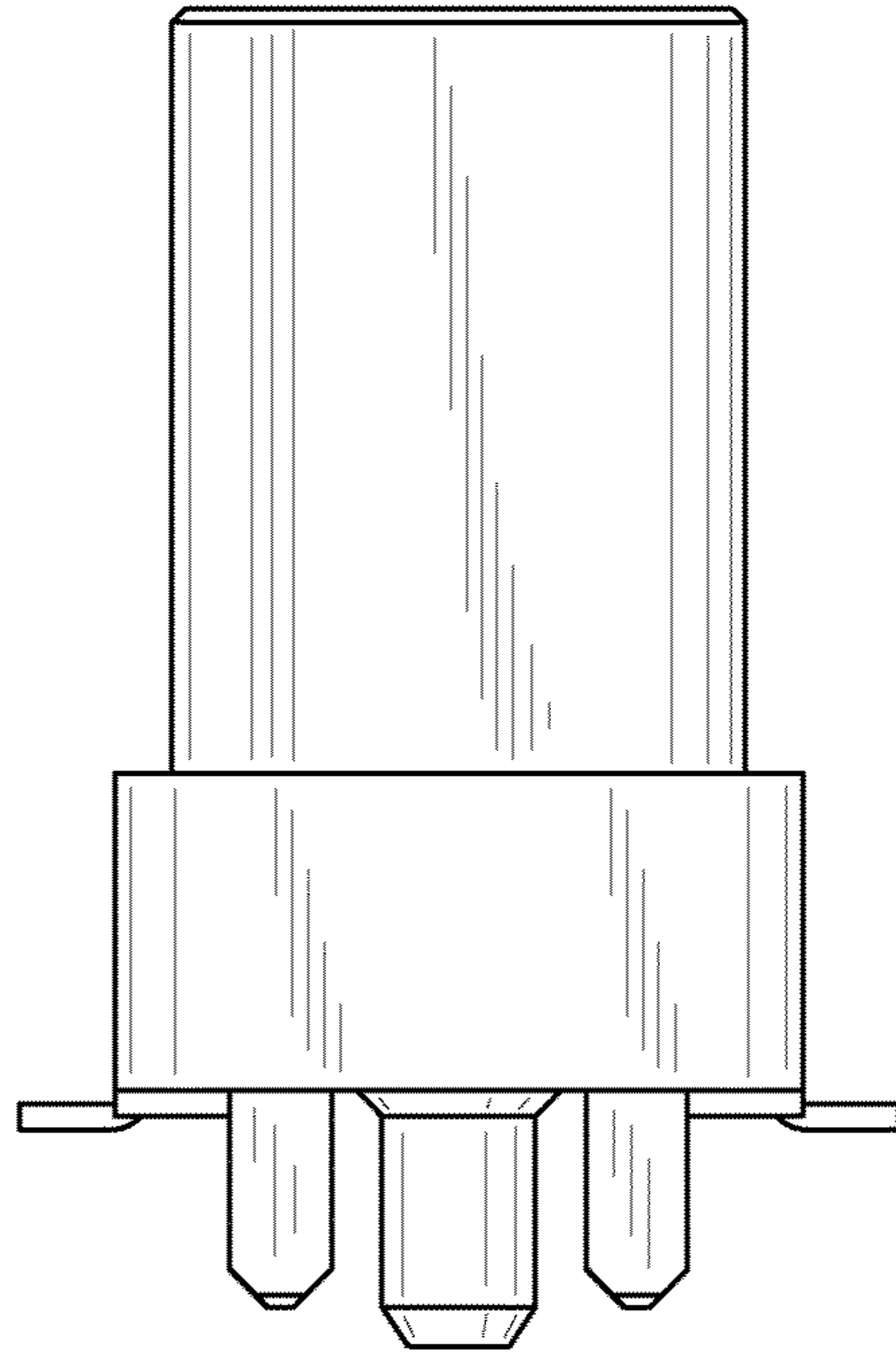


FIG. 3

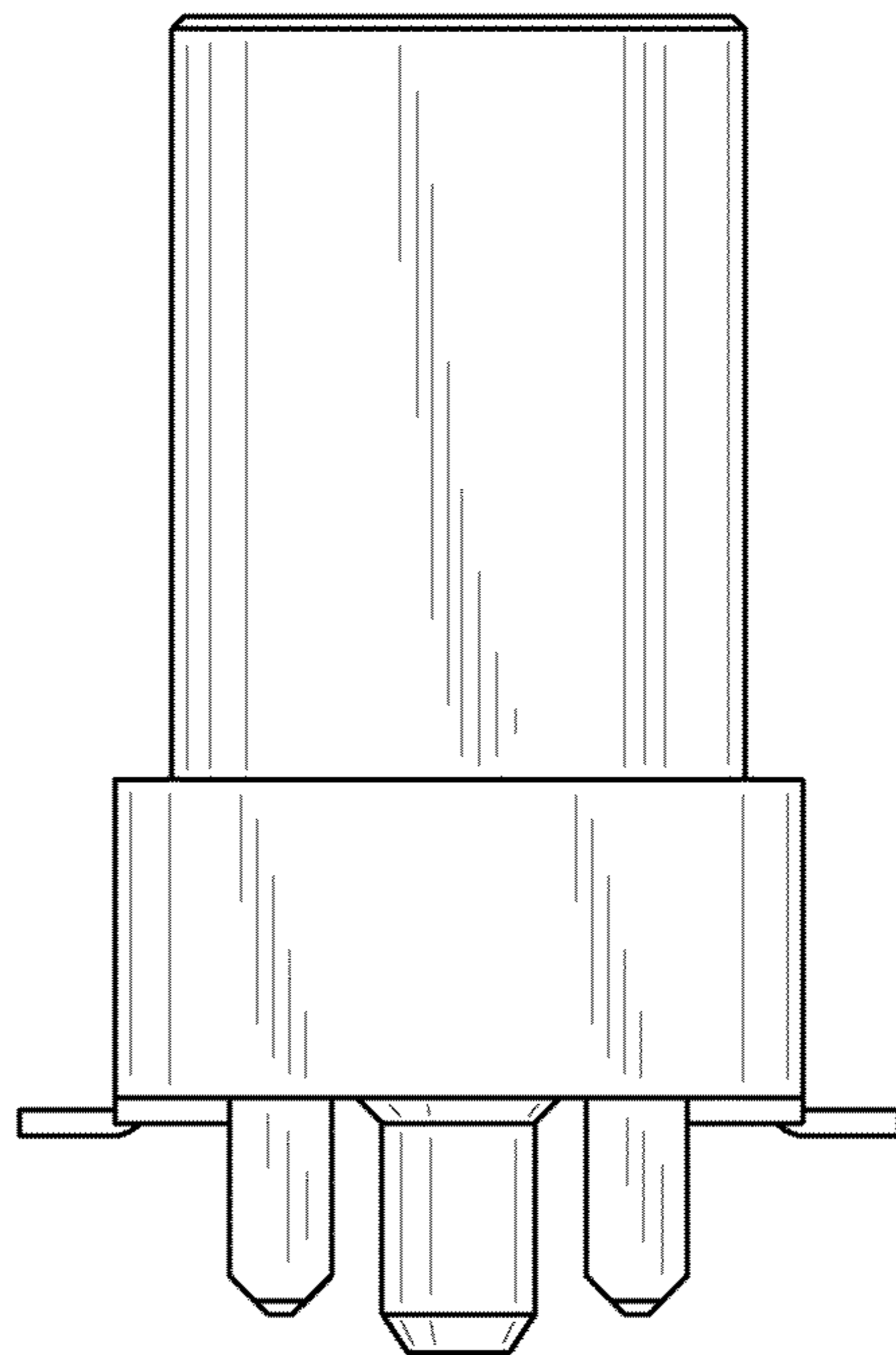


FIG. 4

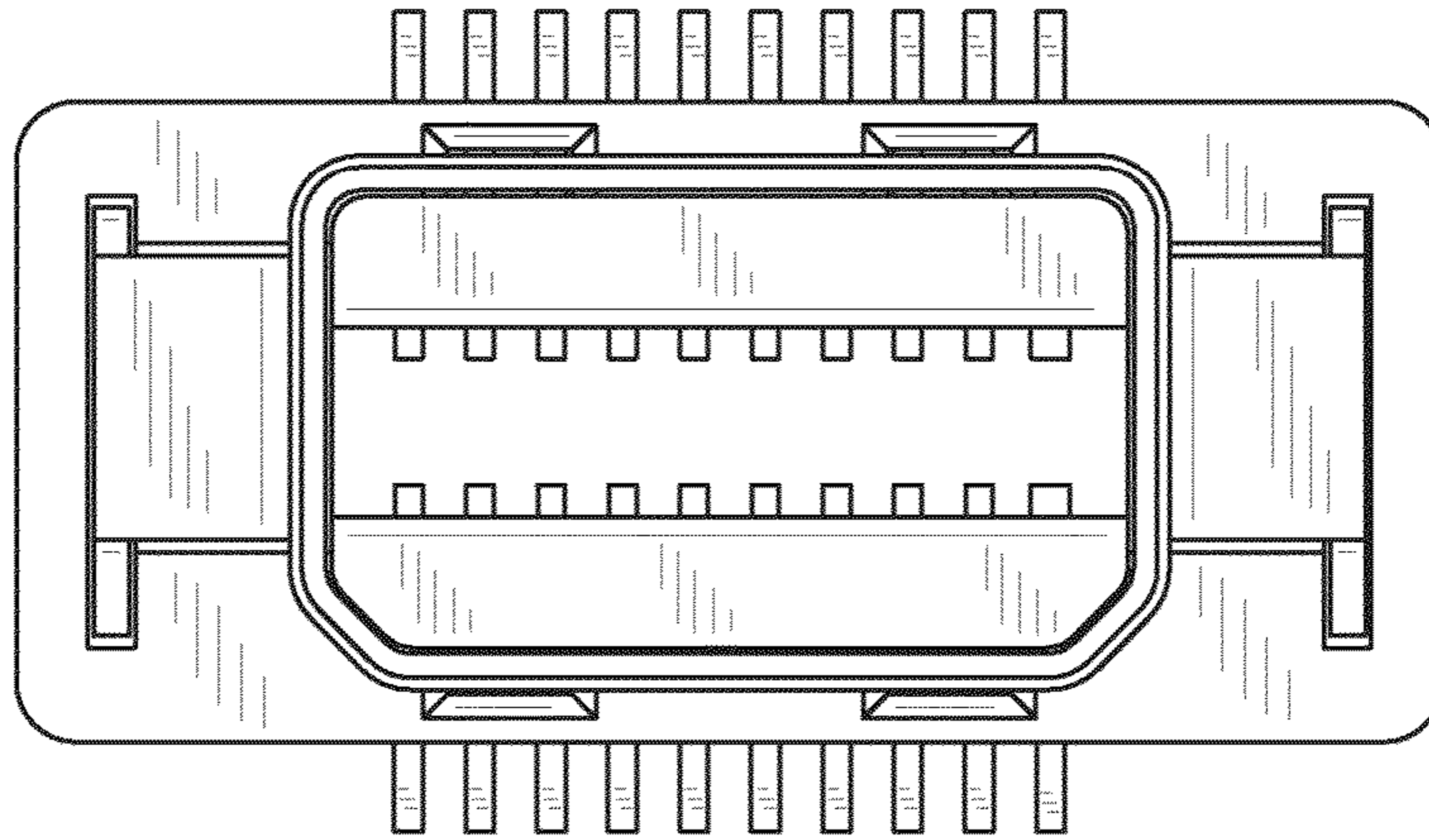


FIG. 5

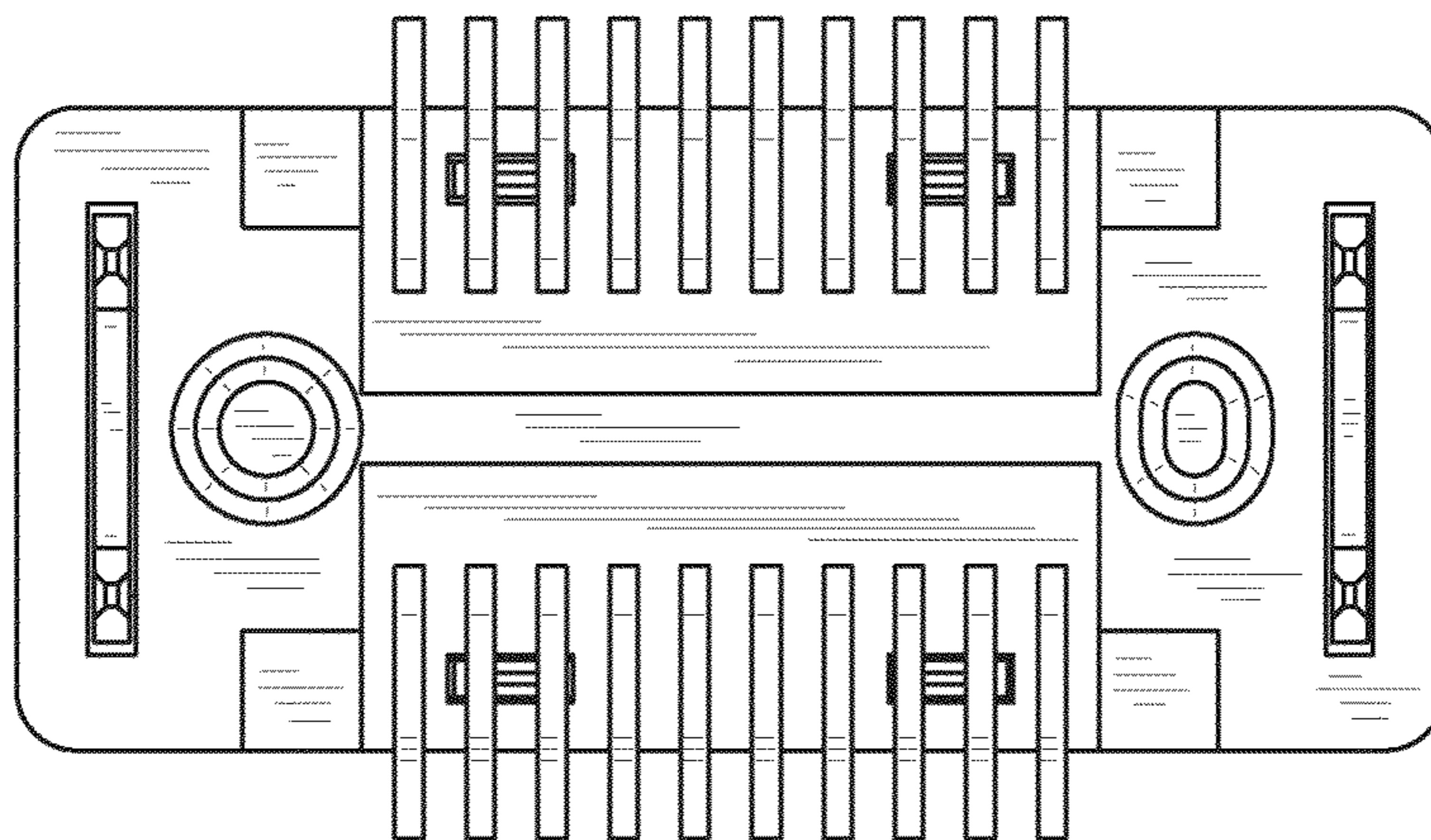


FIG. 6

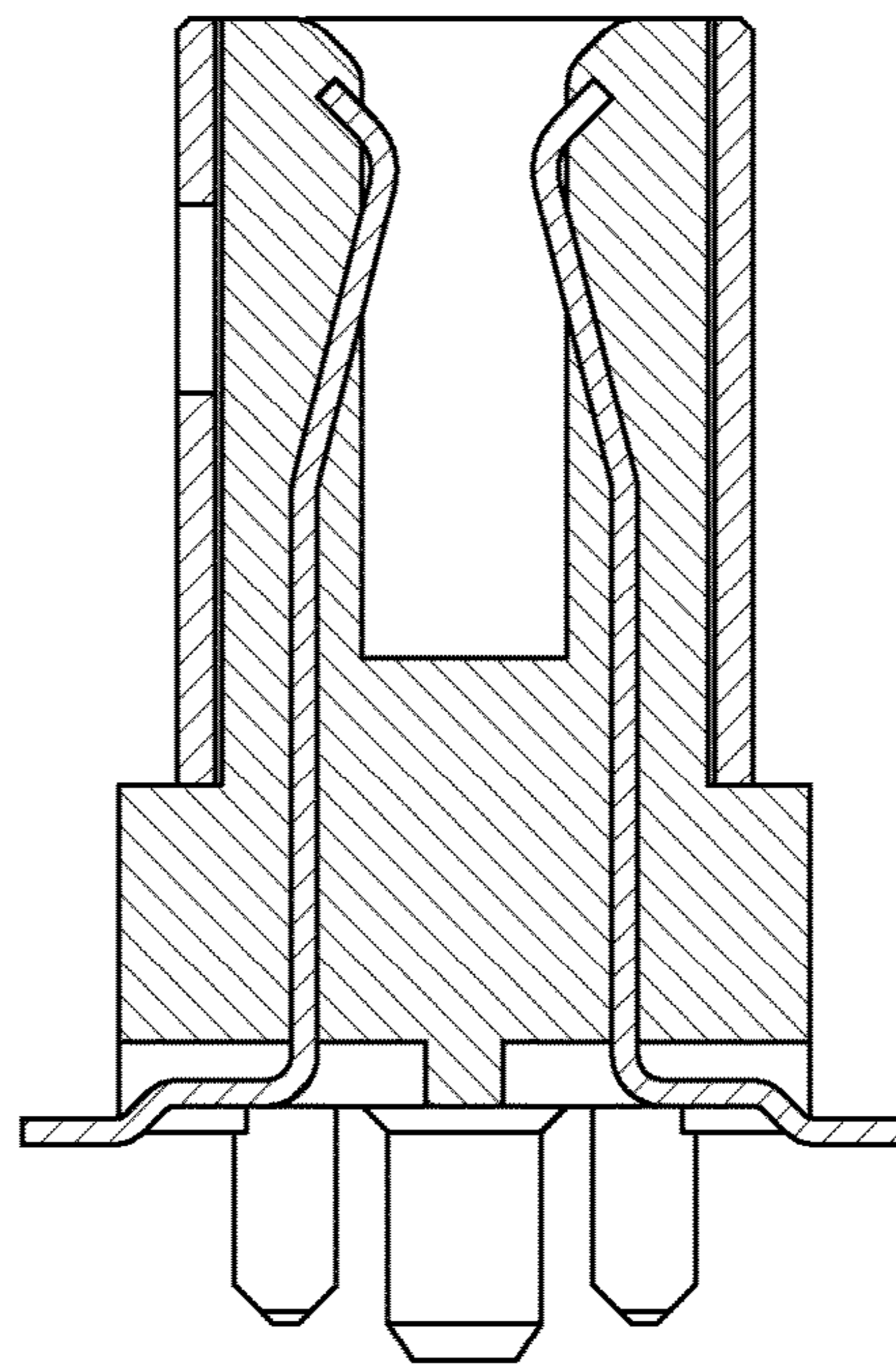


FIG. 7

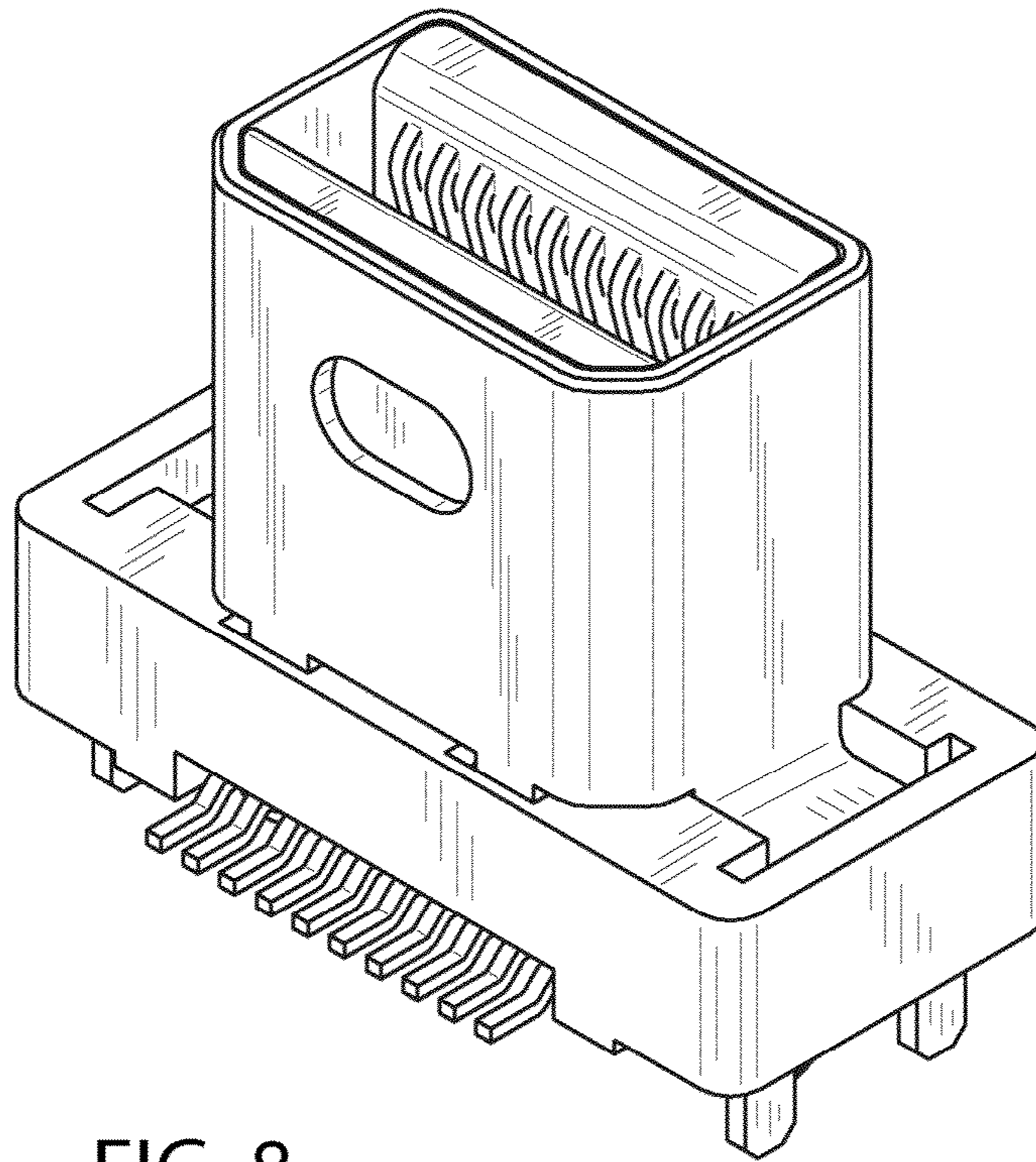


FIG. 8

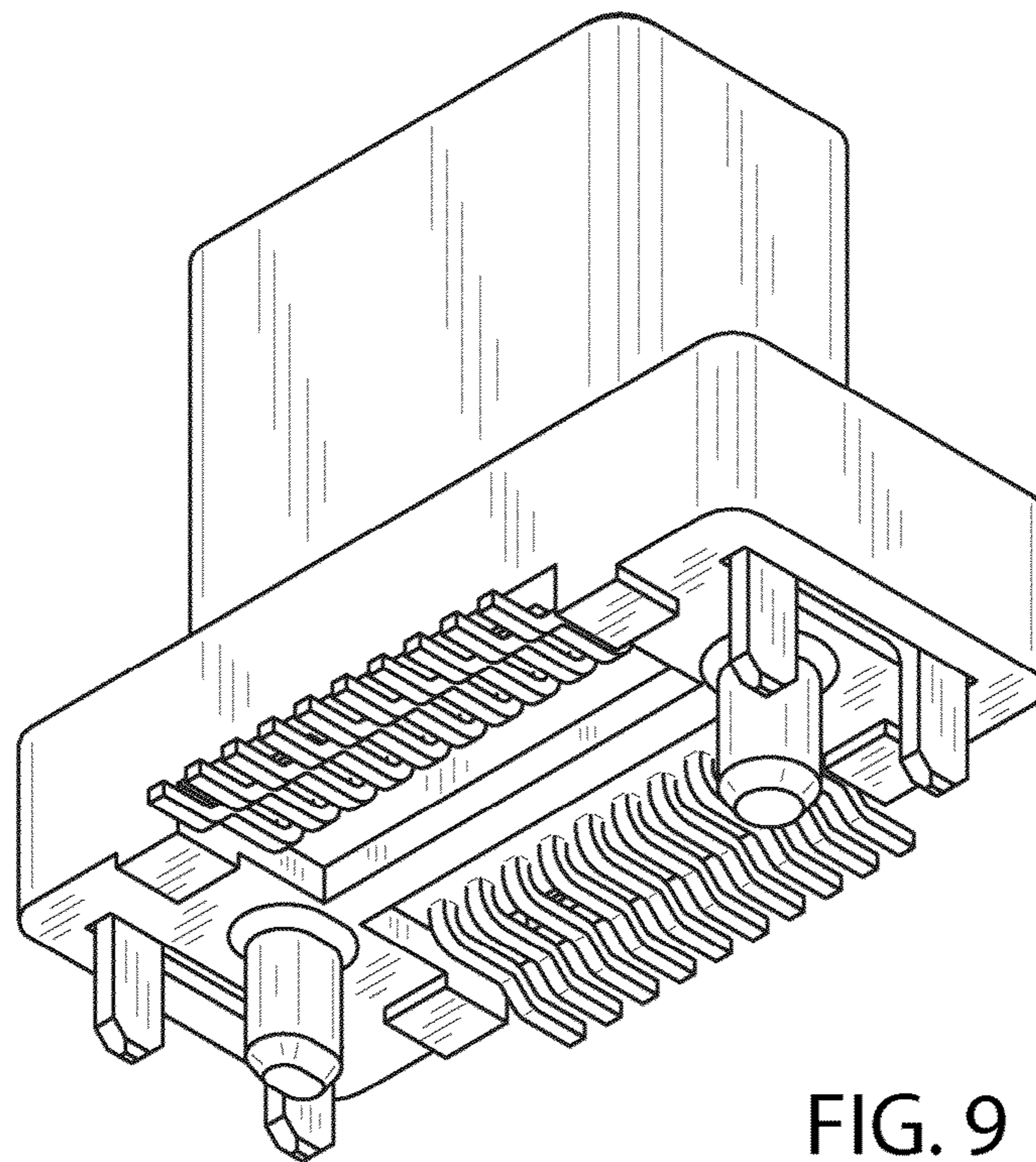


FIG. 9

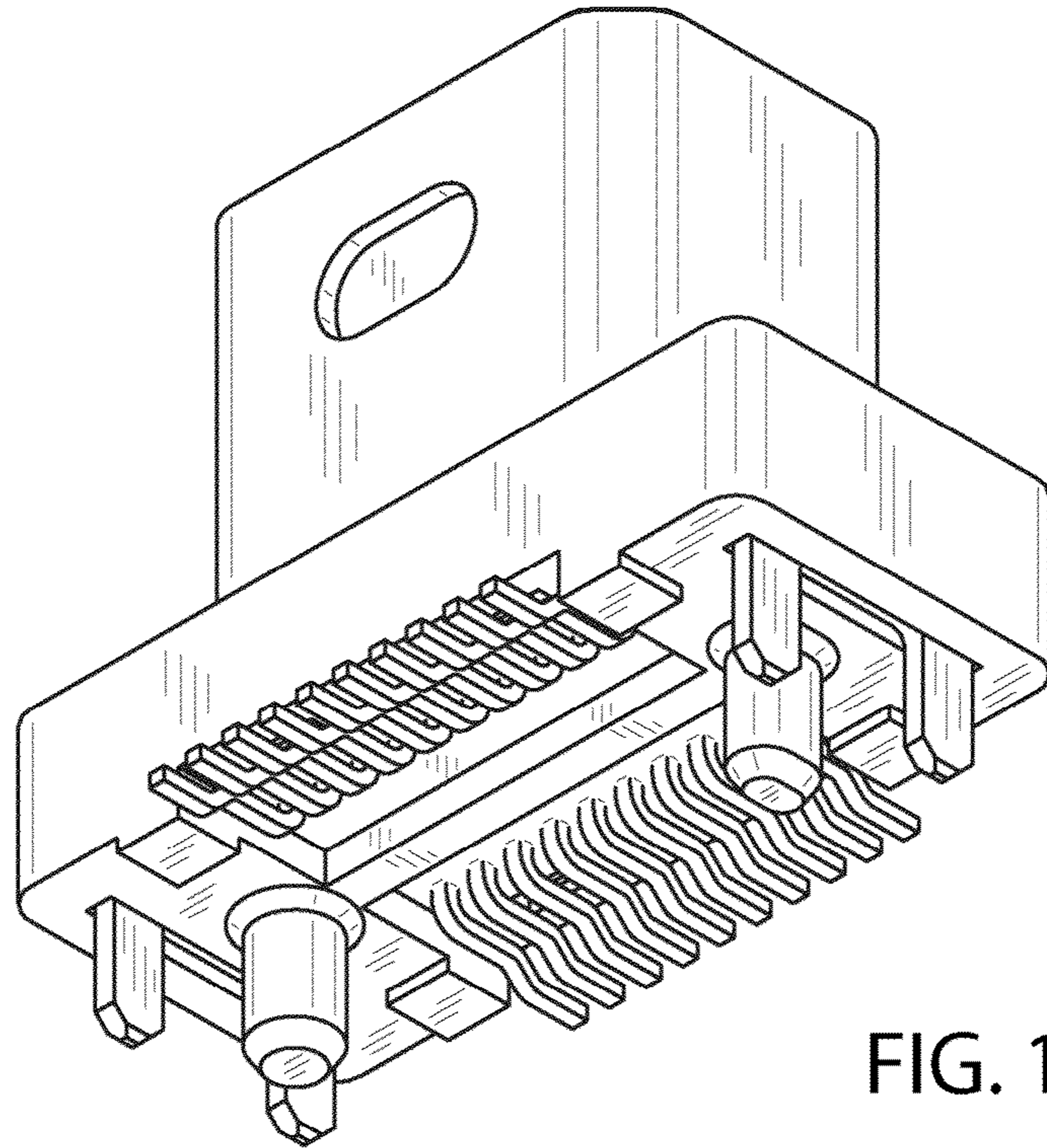


FIG. 10

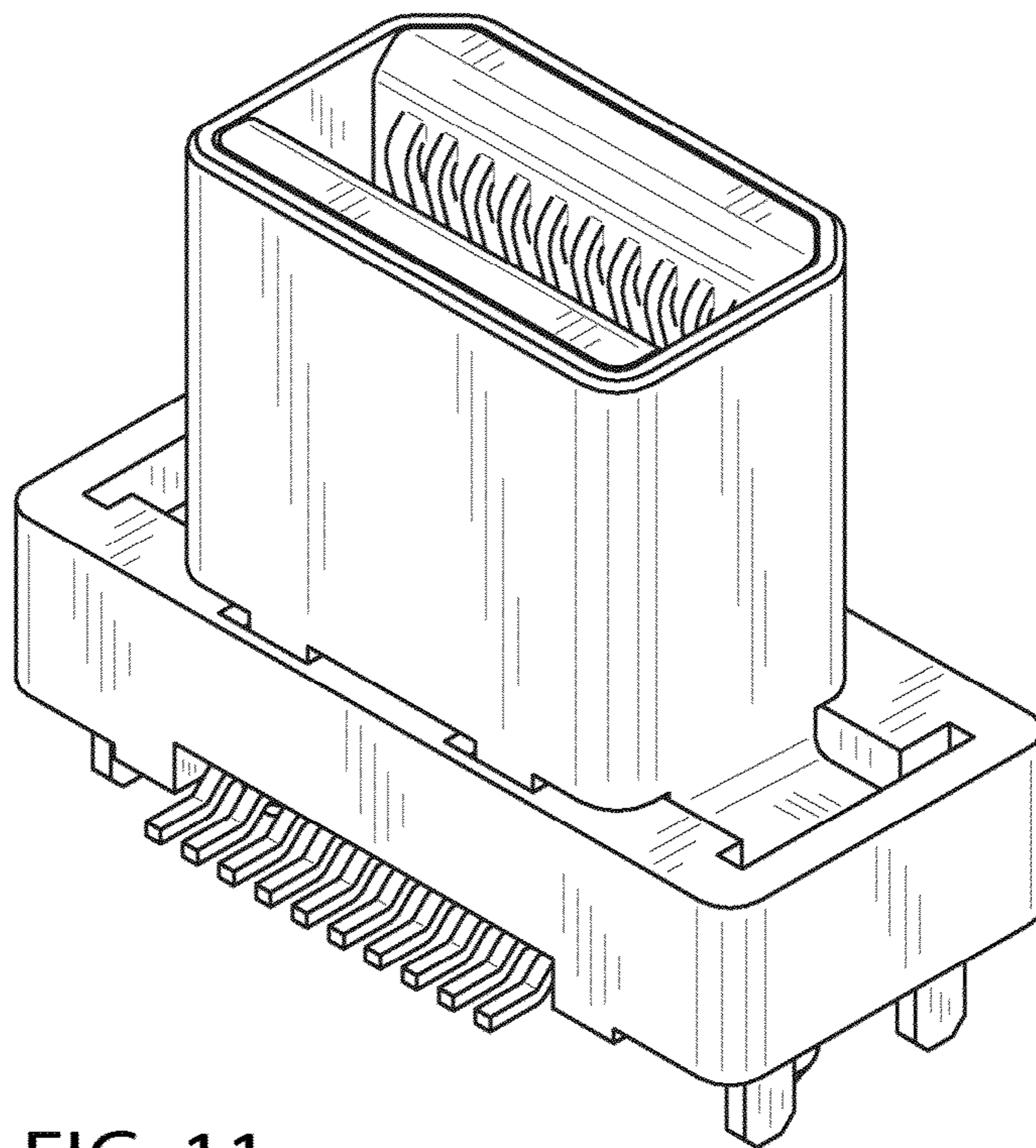


FIG. 11