



US00D680957S

(12) **United States Design Patent**
Lan

(10) **Patent No.:** **US D680,957 S**

(45) **Date of Patent:** **** Apr. 30, 2013**

(54) **RECEPTACLE CONNECTOR**

(75) Inventor: **Rong-Qin Lan**, Guang-Dong (CN)

(73) Assignee: **Cheng Uei Precision Industry Co., Ltd.**, New Taipei (TW)

(**) Term: **14 Years**

(21) Appl. No.: **29/417,092**

(22) Filed: **Mar. 29, 2012**

(51) **LOC (9) Cl.** **13-03**

(52) **U.S. Cl.**
USPC **D13/147**

(58) **Field of Classification Search** D13/147,
D13/154, 184, 199; 439/79, 108, 350, 353,
439/357, 358, 378, 447, 578, 567, 595, 607.01,
439/607.04, 607.05, 607.17, 607.25, 607.34,
439/607.41, 607.53, 660, 668, 677, 680-682,
439/686

See application file for complete search history.

(56) **References Cited**

U.S. PATENT DOCUMENTS

D499,382 S * 12/2004 Zhu et al. D13/147
D500,988 S * 1/2005 Moriwake et al. D13/147

D586,754 S * 2/2009 Yuan et al. D13/147
D611,909 S * 3/2010 Wu et al. D13/147
D654,440 S * 2/2012 Lin D13/147

* cited by examiner

Primary Examiner — Daniel Bui

(74) *Attorney, Agent, or Firm* — Cheng-Ju Chiang

(57) **CLAIM**

The ornamental design for a receptacle connector, as shown and described.

DESCRIPTION

FIG. 1 is a perspective view of a receptacle connector showing my new design;

FIG. 2 is a front elevational view thereof;

FIG. 3 is a rear elevational view thereof;

FIG. 4 is a left side elevational view thereof;

FIG. 5 is a right side elevational view thereof;

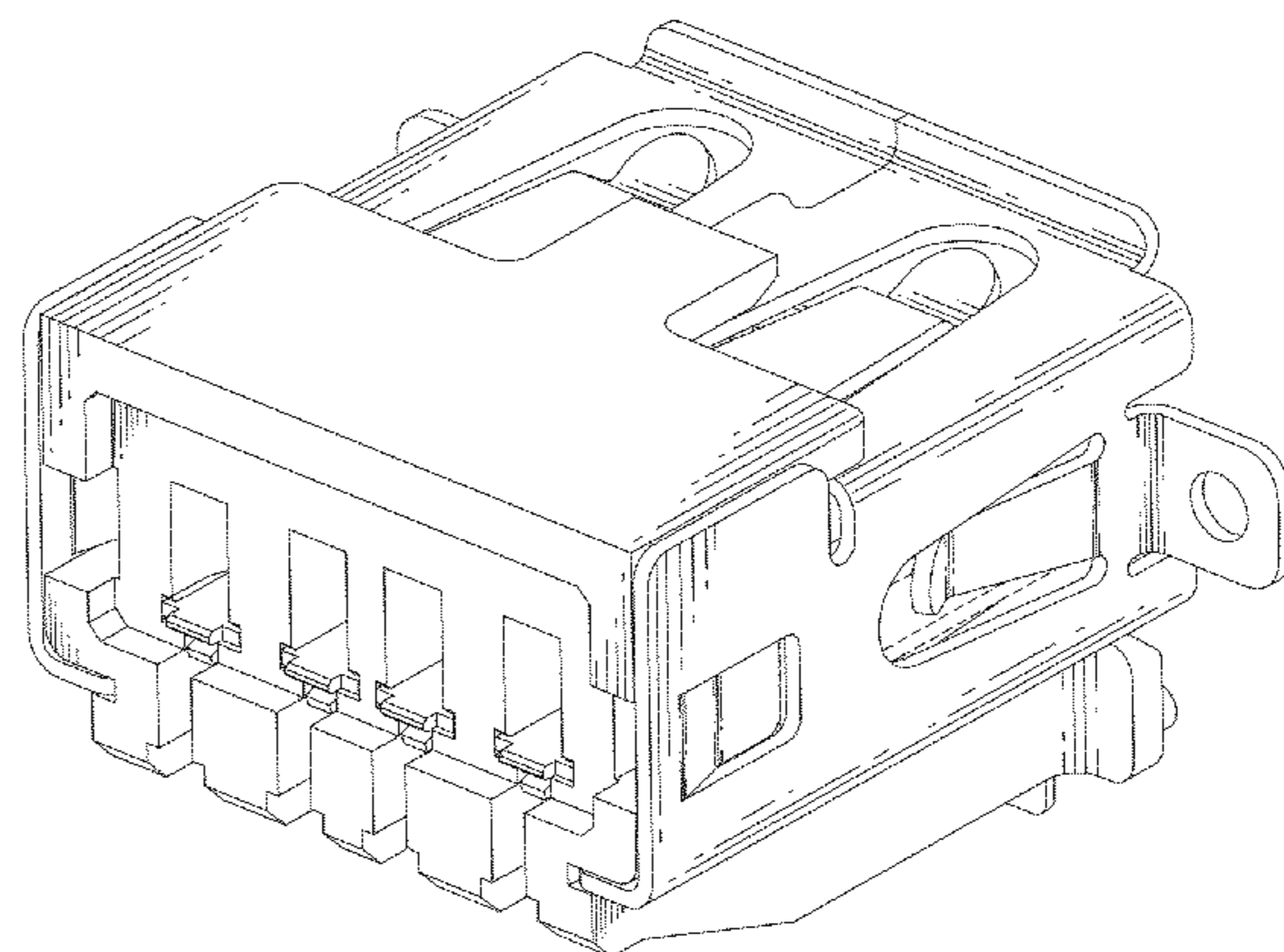
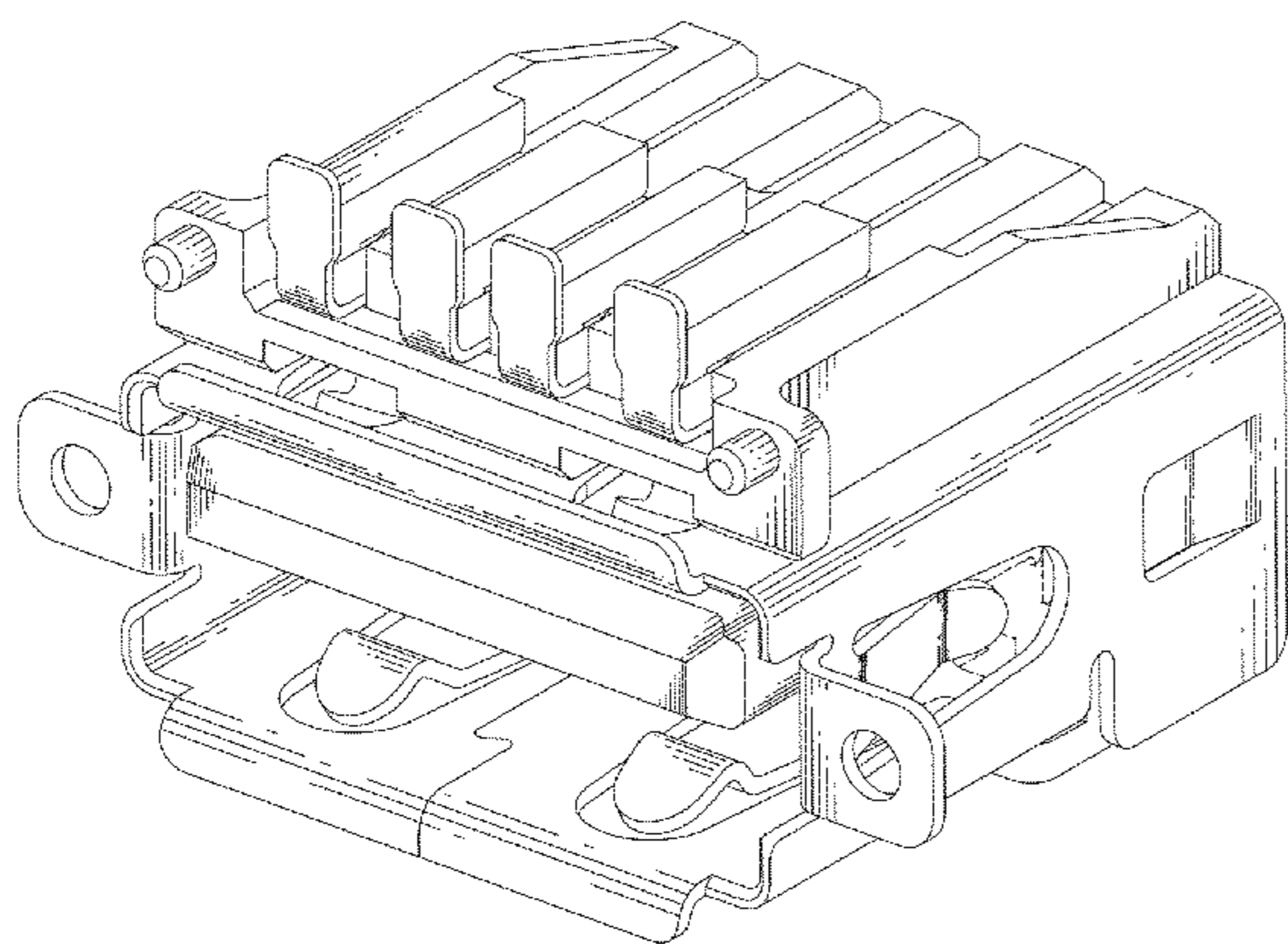
FIG. 6 is a top plan view thereof;

FIG. 7 is a bottom plan view thereof; and,

FIG. 8 is another perspective view of the receptacle connector showing my new design.

The broken line portion of the figure drawings is included to show unclaimed subject matter only and forms no part of the claimed design.

1 Claim, 8 Drawing Sheets



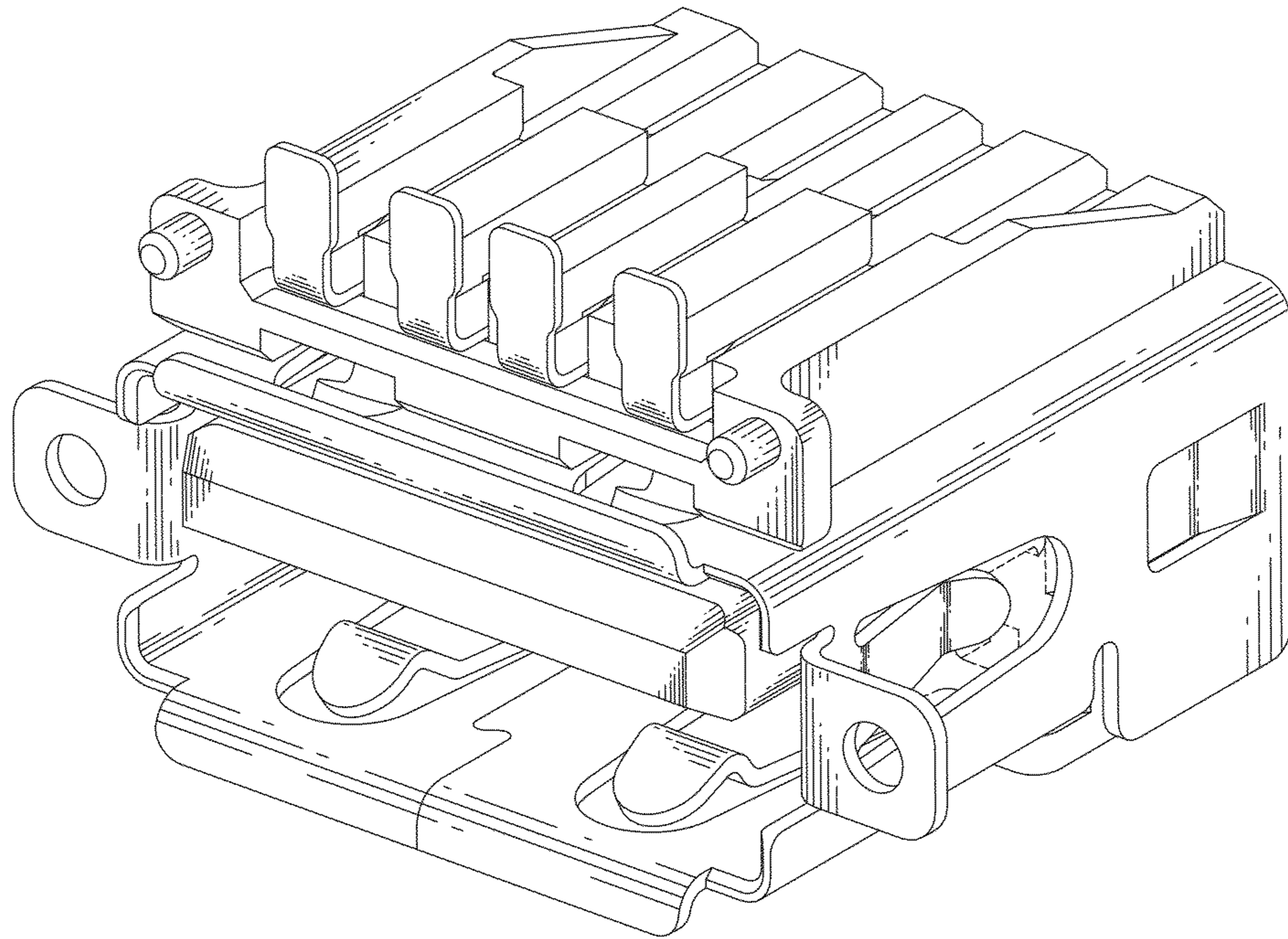


FIG. 1

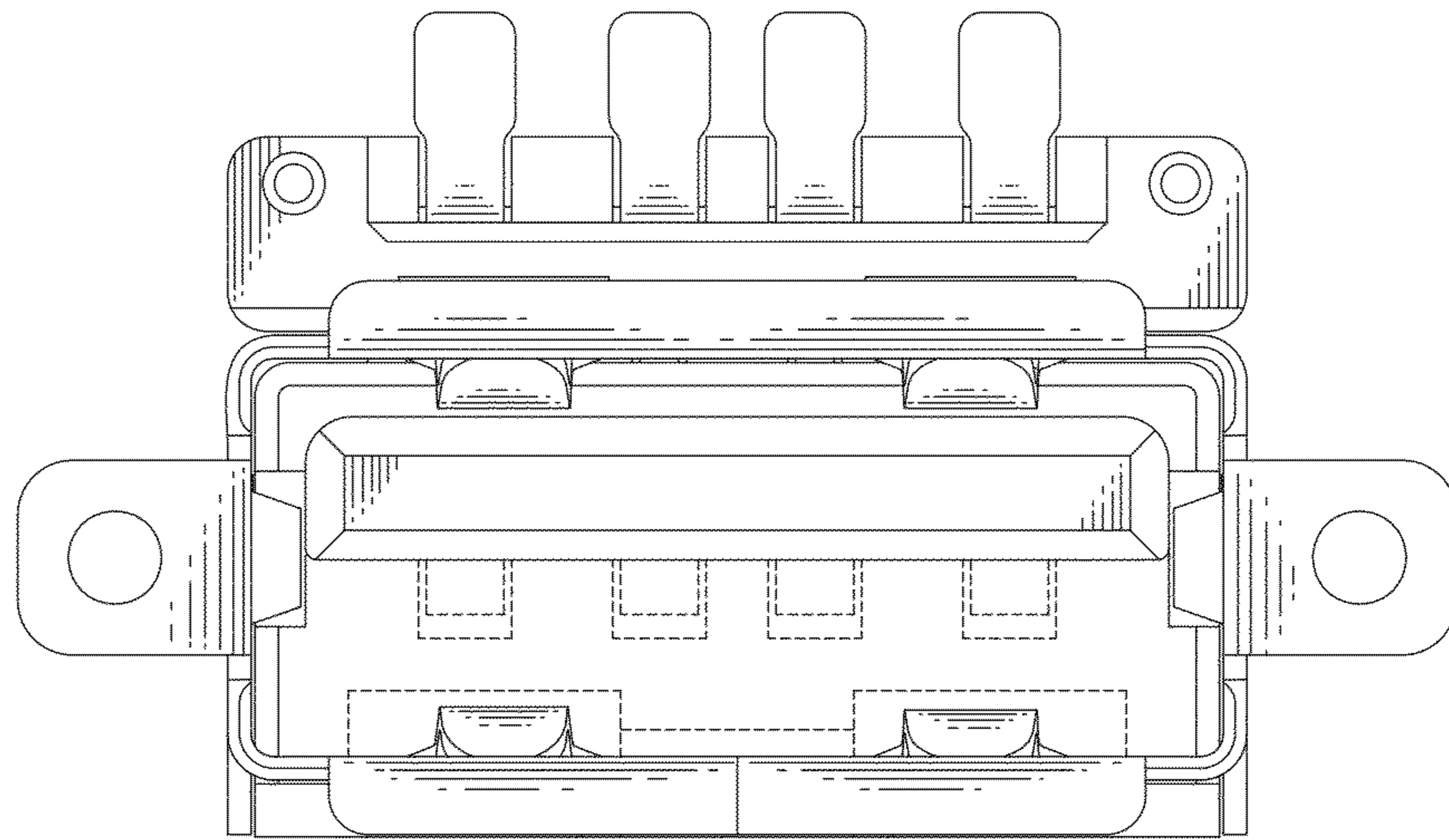


FIG. 2

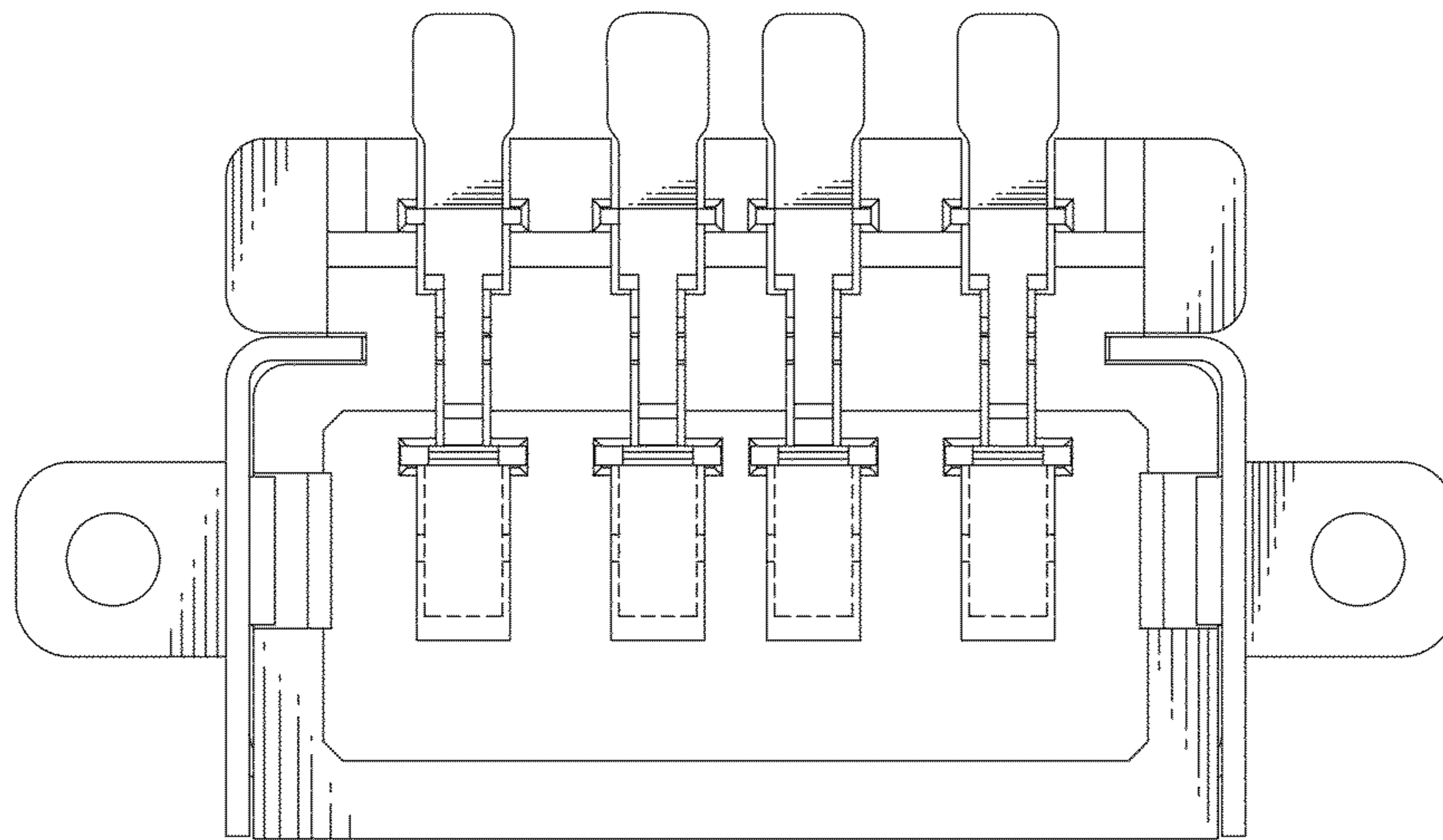


FIG. 3

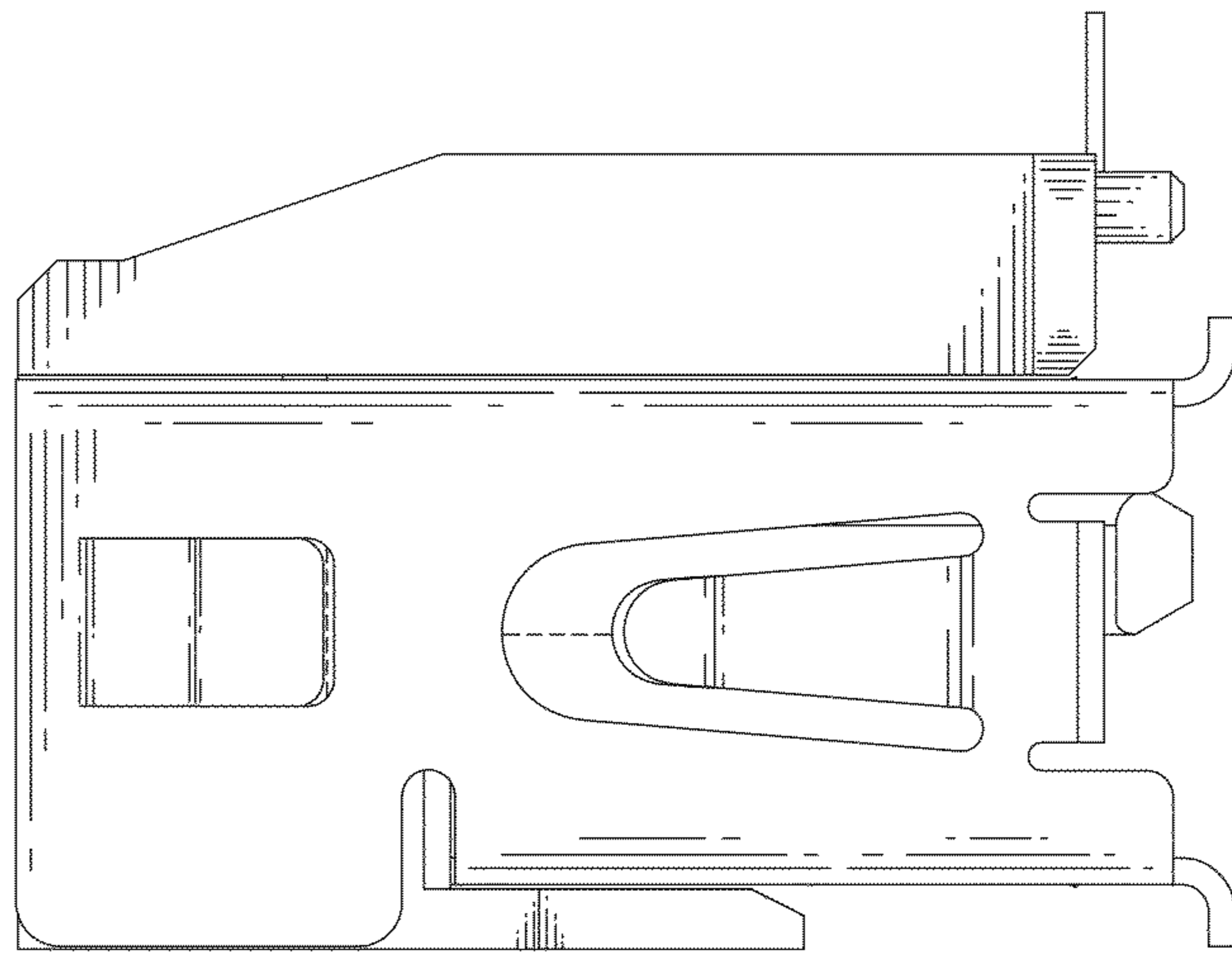


FIG. 4

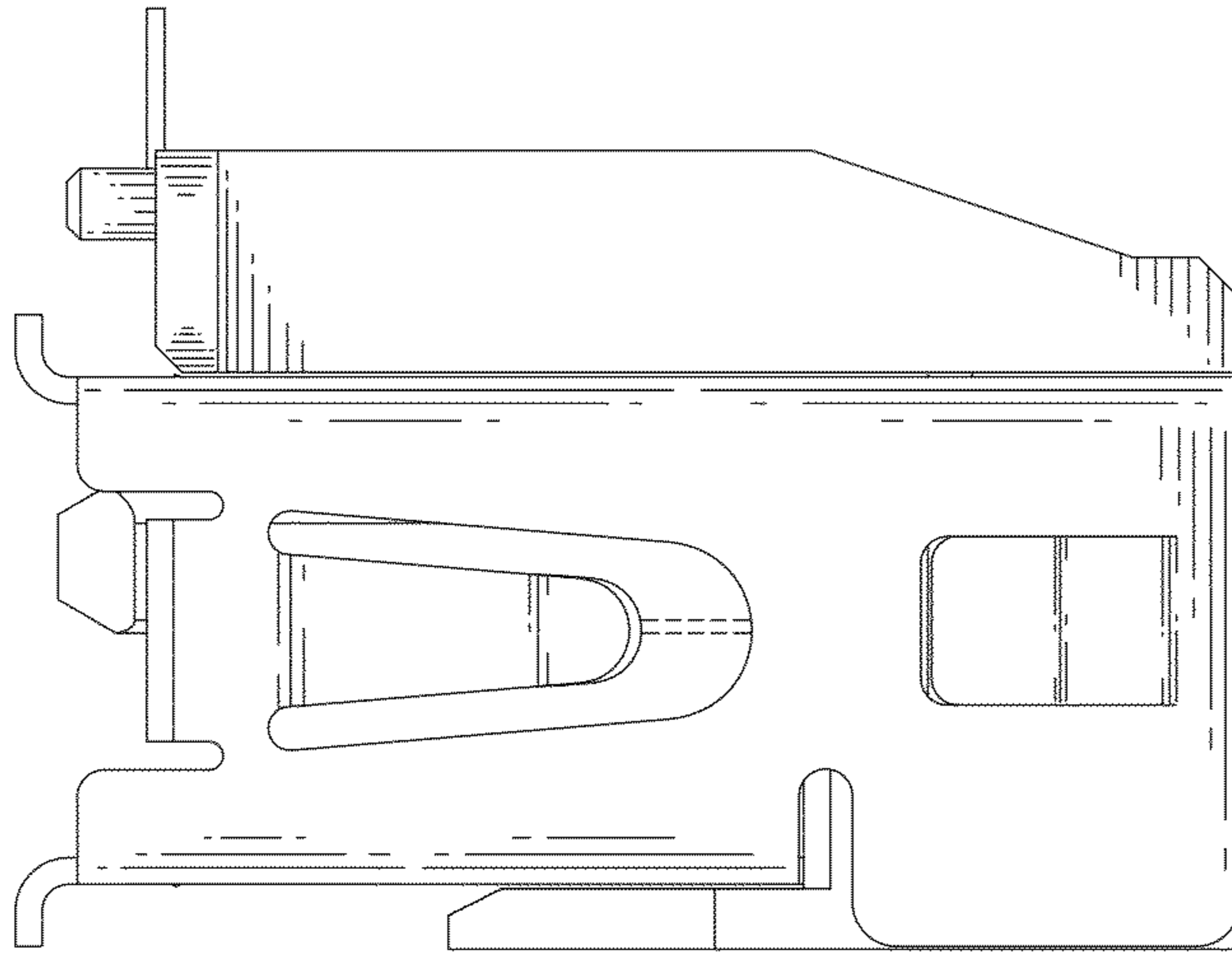


FIG. 5

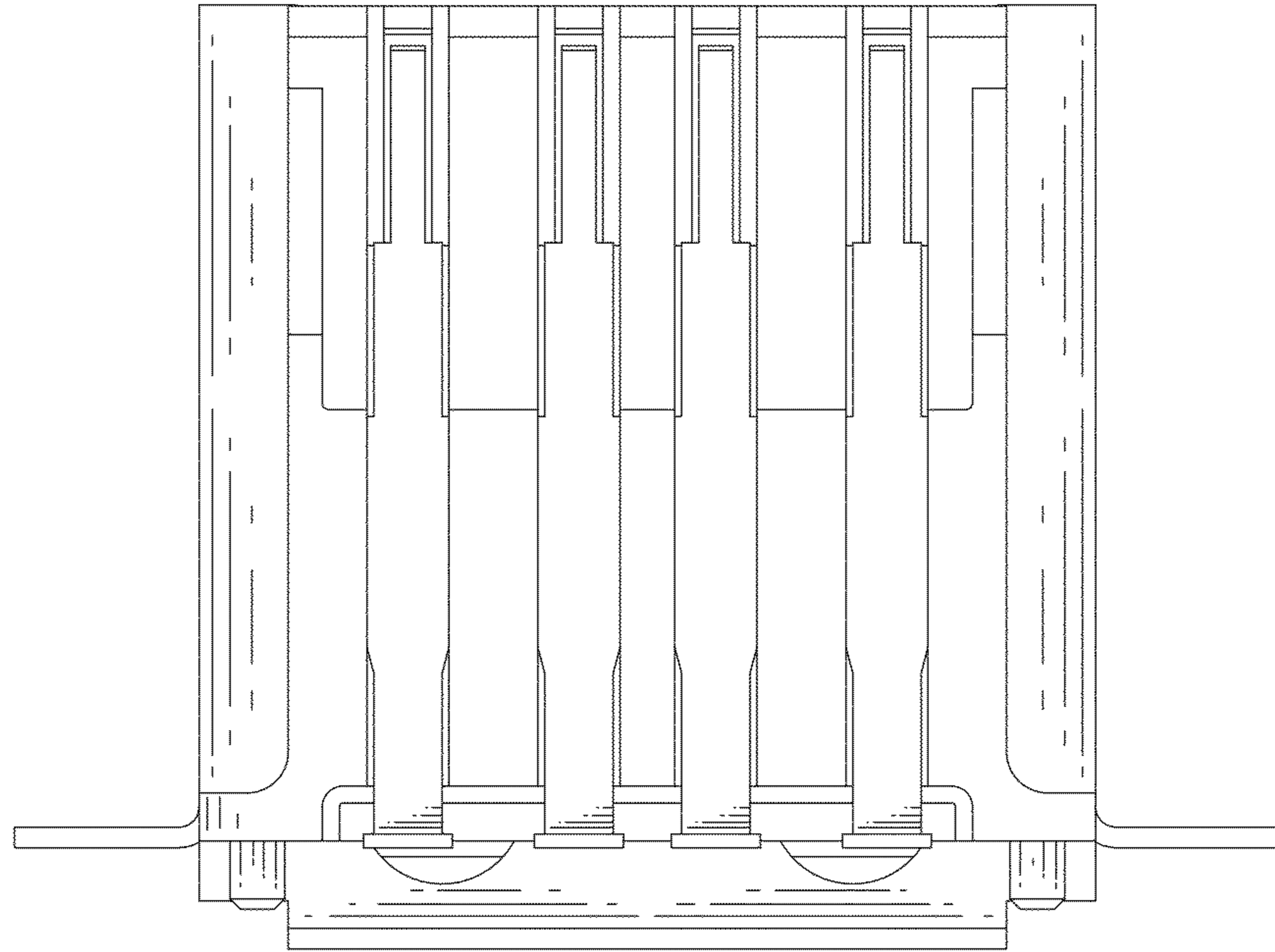


FIG. 6

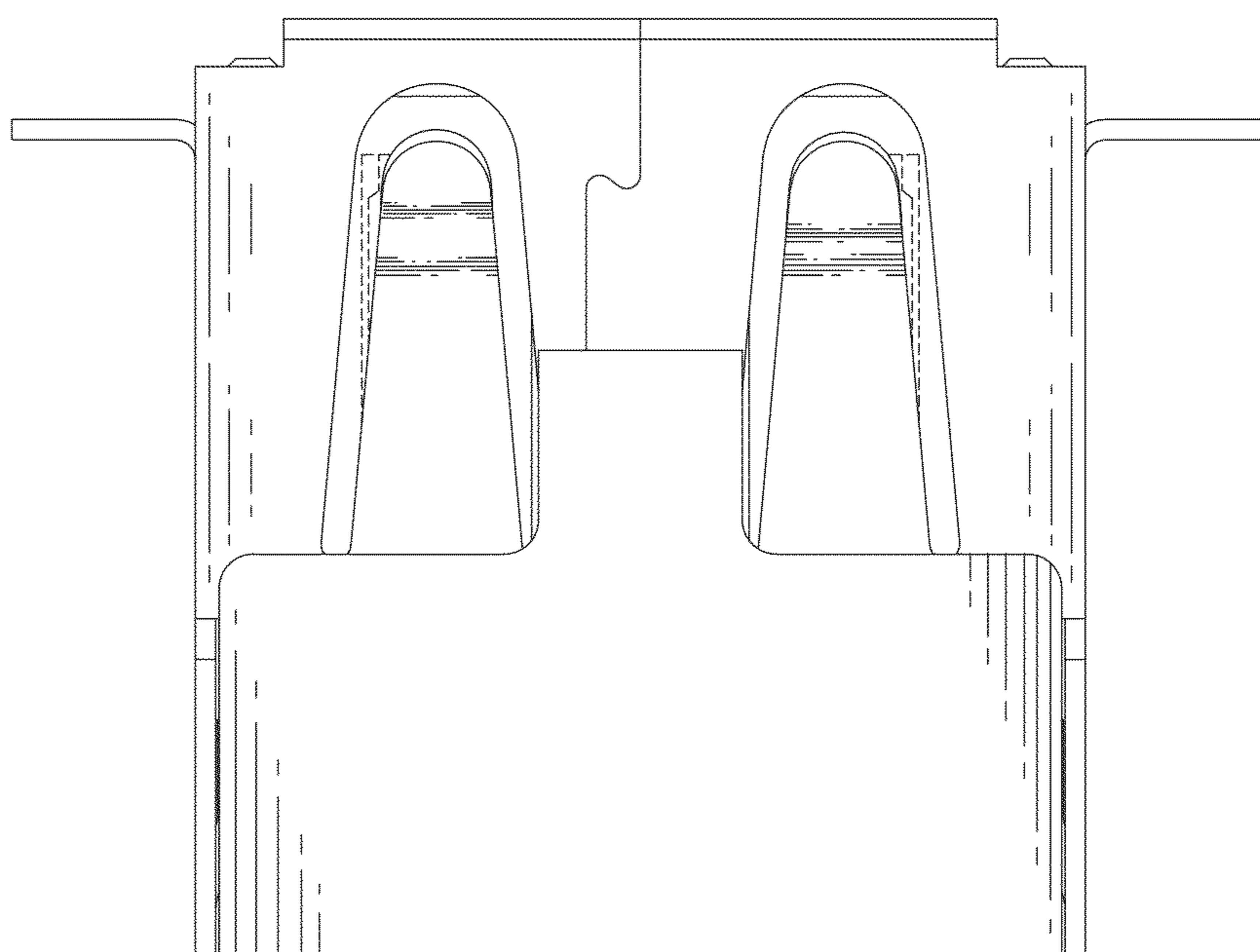


FIG. 7

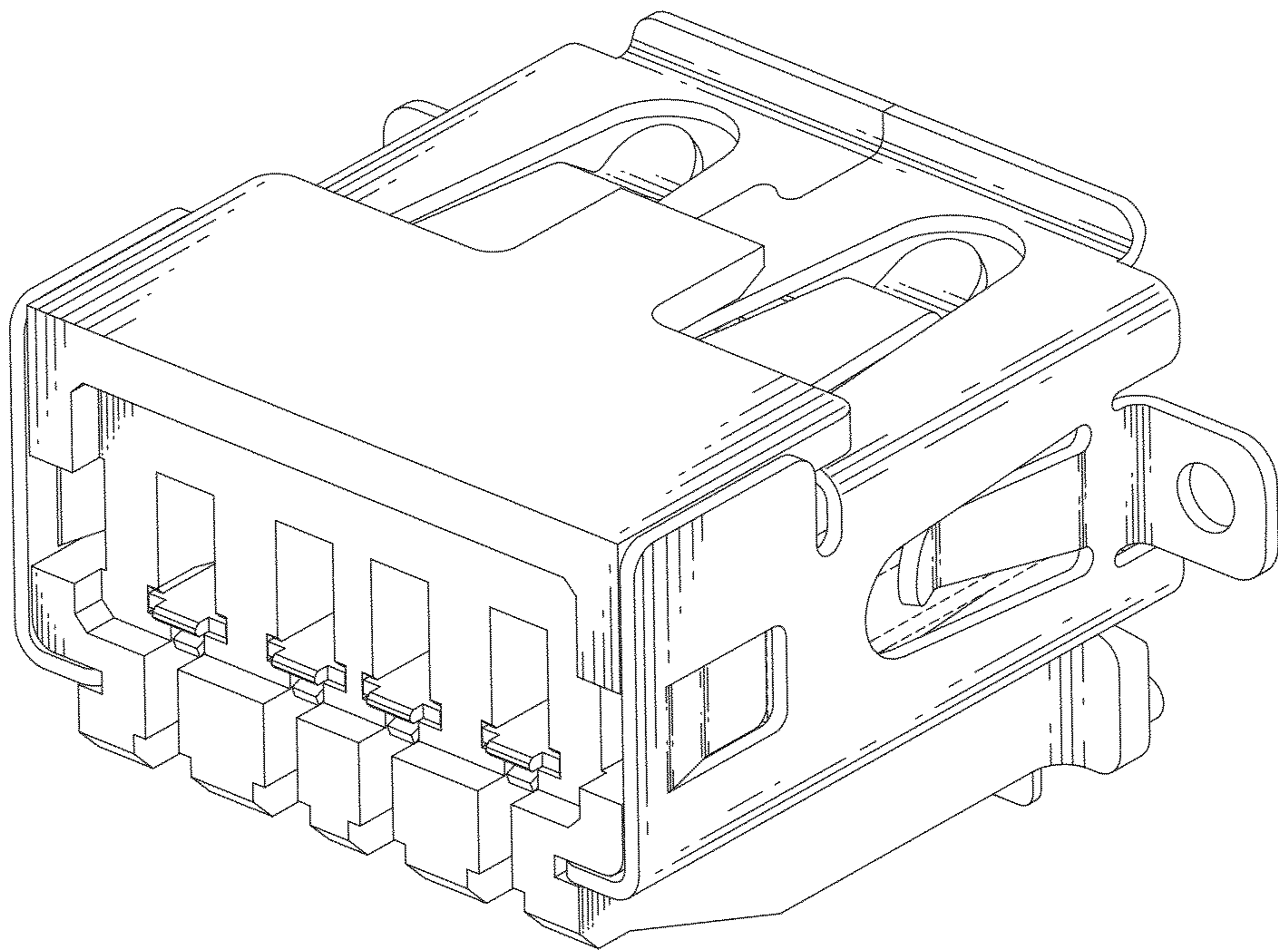


FIG. 8