



US00D680955S

(12) **United States Design Patent**
Lan et al.

(10) **Patent No.:** **US D680,955 S**
(45) **Date of Patent:** **** Apr. 30, 2013**

(54) **RECEPTACLE CONNECTOR**

(75) Inventors: **Rong-Qin Lan**, Guang-Dong (CN);
Li-Jun Xu, Guang-Dong (CN);
Ming-Han Lin, New Taipei (TW)

(73) Assignee: **Cheng Uei Precision Industry Co., Ltd.**, New Taipei (TW)

(**) Term: **14 Years**

(21) Appl. No.: **29/414,794**

(22) Filed: **Mar. 2, 2012**

(51) **LOC (9) Cl.** **13-03**

(52) **U.S. Cl.**
USPC **D13/147**

(58) **Field of Classification Search** D13/147,
D13/154, 184, 199; 439/79, 108, 350, 353,
439/357, 358, 378, 447, 578, 567, 595, 607.01,
439/607.04, 607.05, 607.17, 607.25, 607.34,
439/607.41, 607.53, 660, 668, 677, 680-682,
439/686

See application file for complete search history.

(56) **References Cited**

U.S. PATENT DOCUMENTS

D446,772 S * 8/2001 Chen et al. D13/147
D446,773 S * 8/2001 Yao et al. D13/147

D508,679 S * 8/2005 Li et al. D13/147
D616,371 S * 5/2010 Ma et al. D13/147
D626,080 S * 10/2010 Zong D13/147

* cited by examiner

Primary Examiner — Daniel Bui

(74) *Attorney, Agent, or Firm* — Cheng-Ju Chiang

(57) **CLAIM**

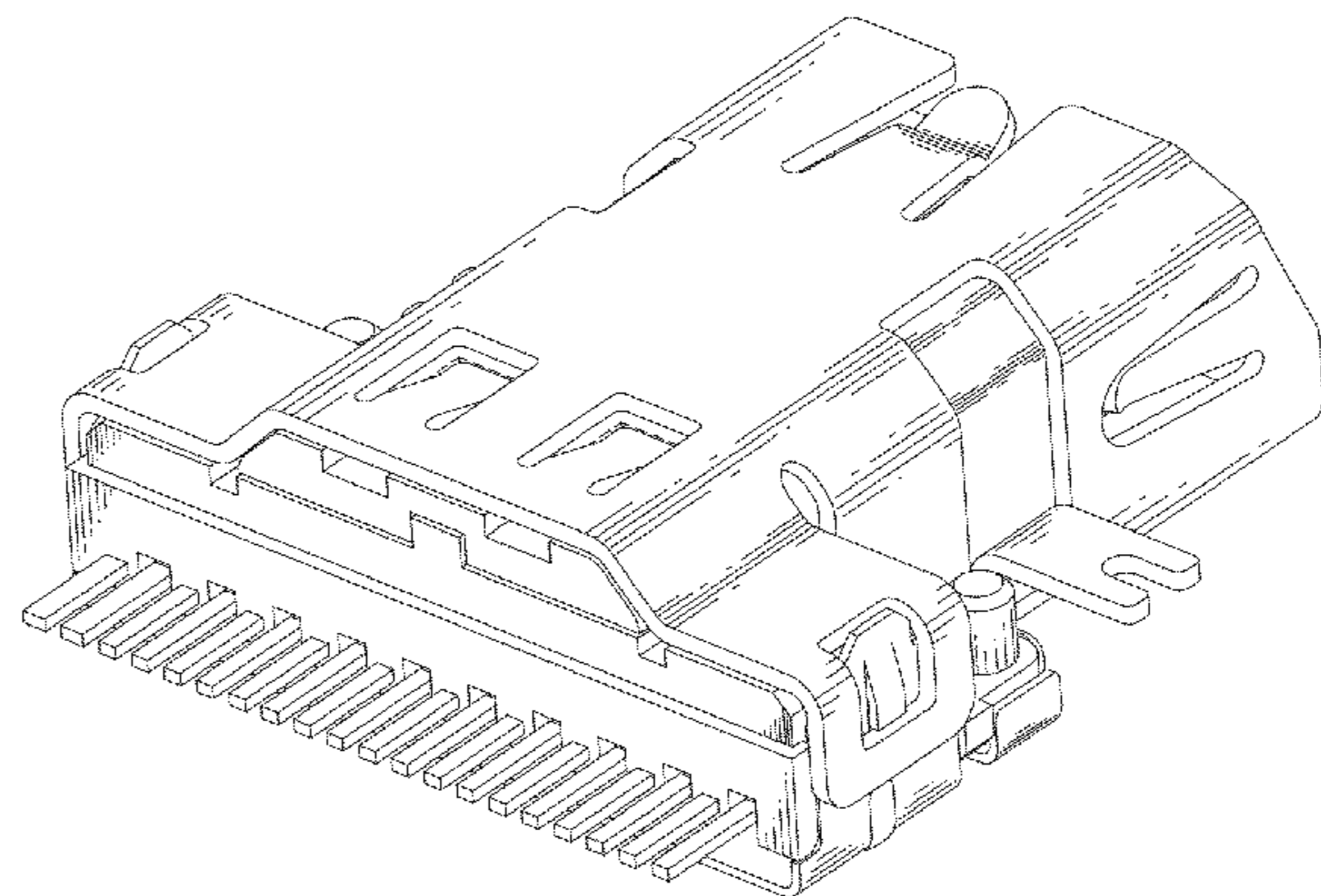
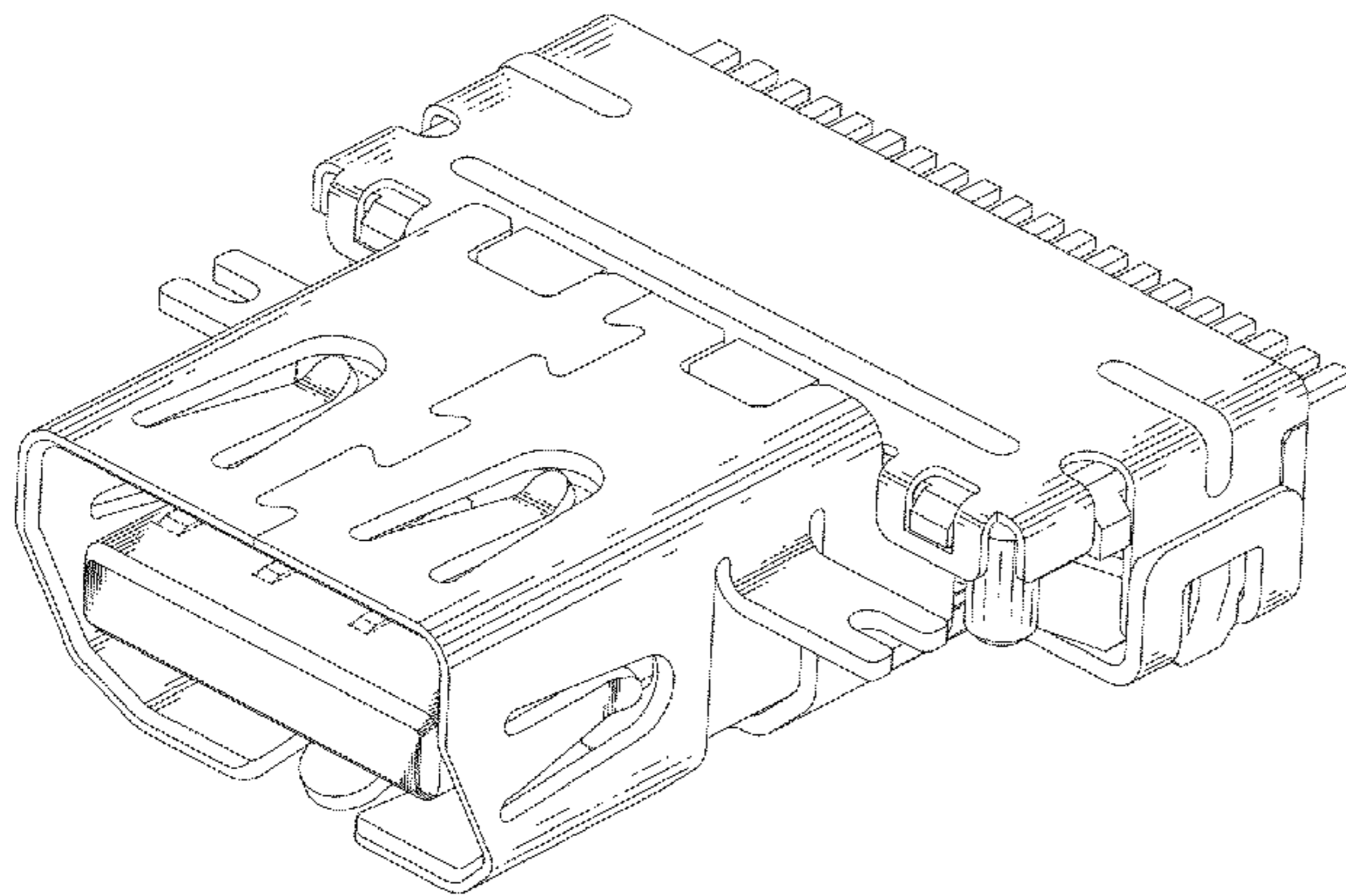
The ornamental design for a receptacle connector, as shown and described.

DESCRIPTION

FIG. 1 is a perspective view of a receptacle connector showing our new design;
FIG. 2 is a front elevational view thereof;
FIG. 3 is a rear elevational view thereof;
FIG. 4 is a left side elevational view thereof;
FIG. 5 is a right side elevational view thereof;
FIG. 6 is a top plan view thereof;
FIG. 7 is a bottom plan view thereof; and,
FIG. 8 is another perspective view of the receptacle connector showing our new design.

The broken line portion of the figure drawings is included to show unclaimed subject matter only and forms no part of the claimed design.

1 Claim, 8 Drawing Sheets



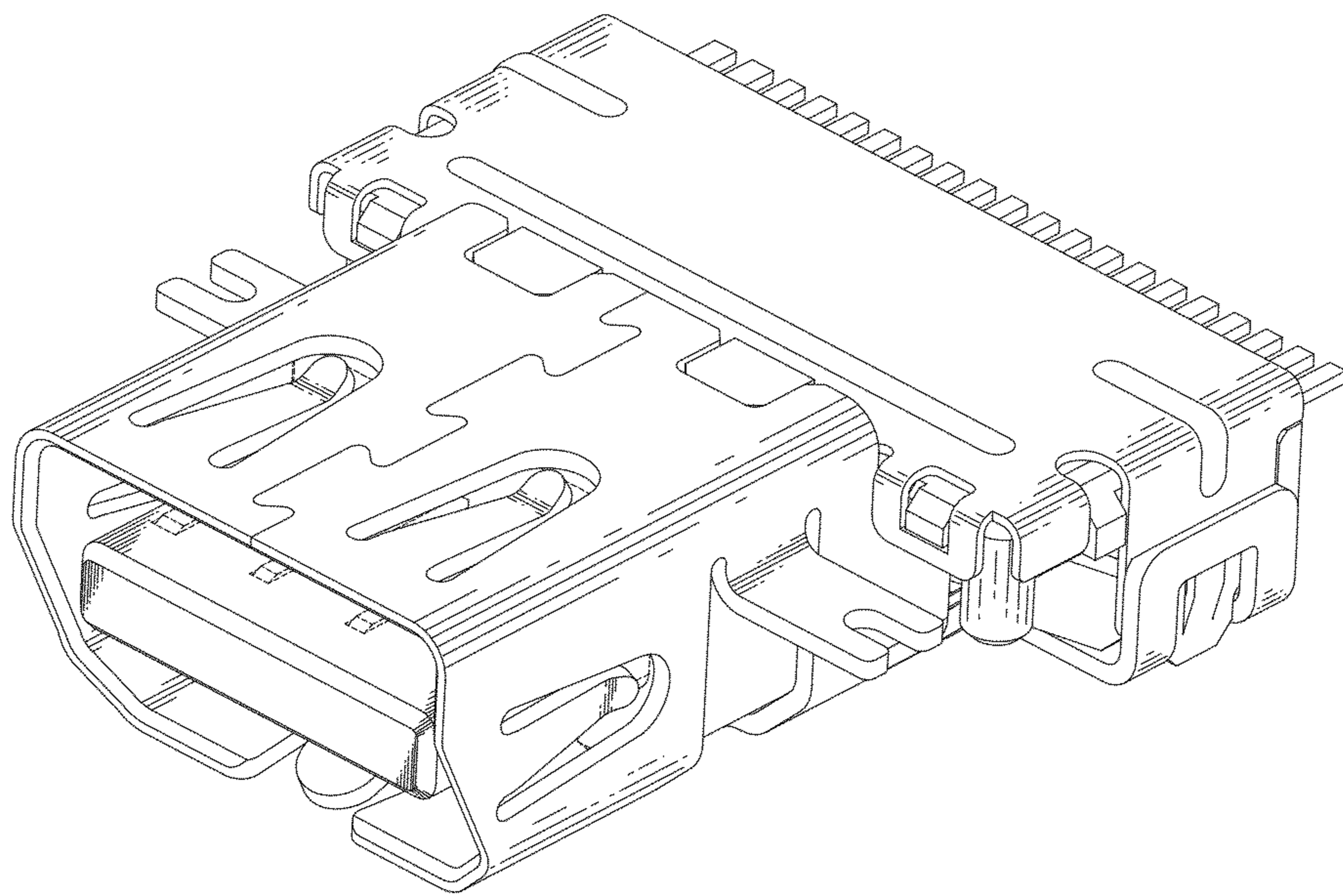


FIG. 1

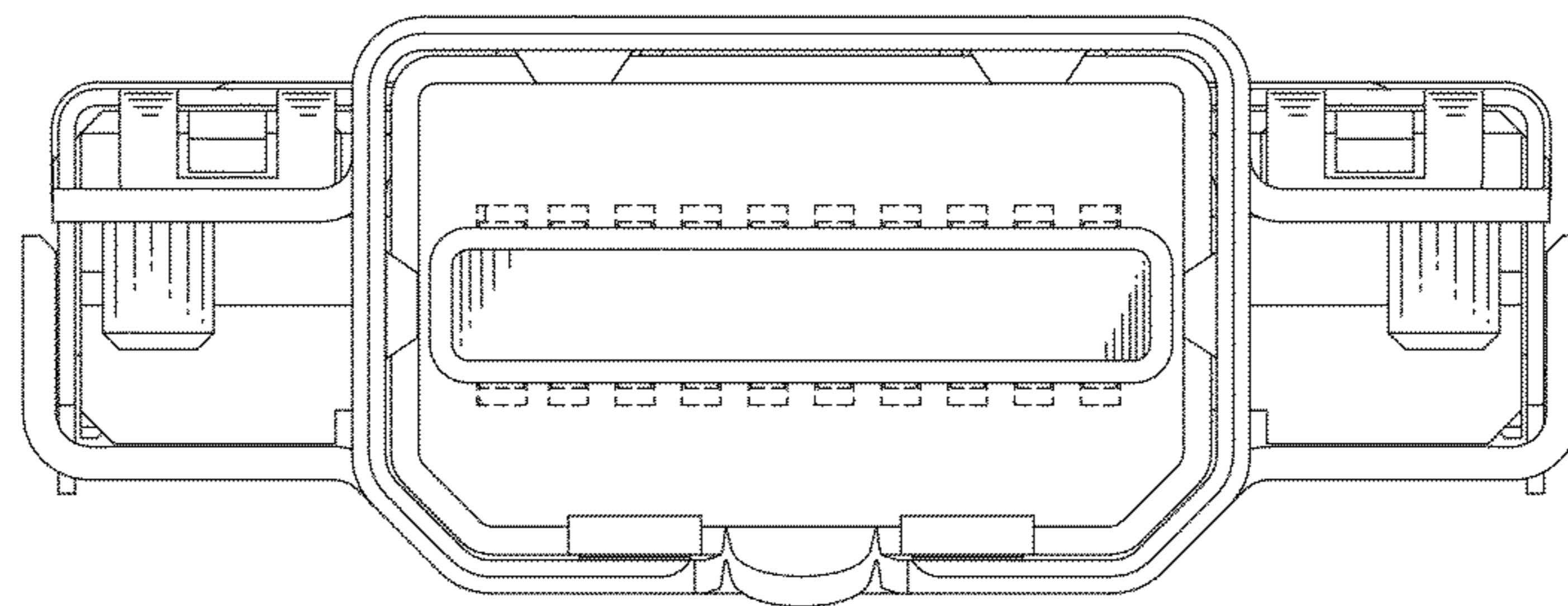


FIG. 2

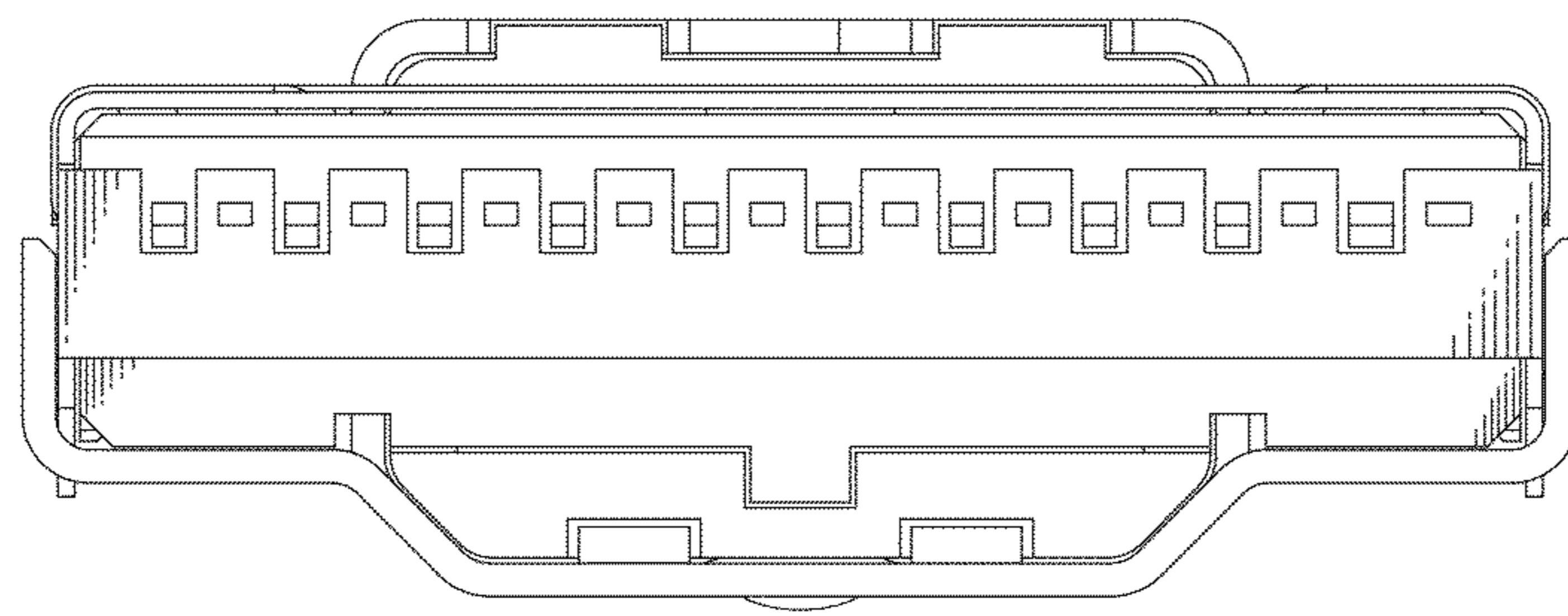


FIG. 3

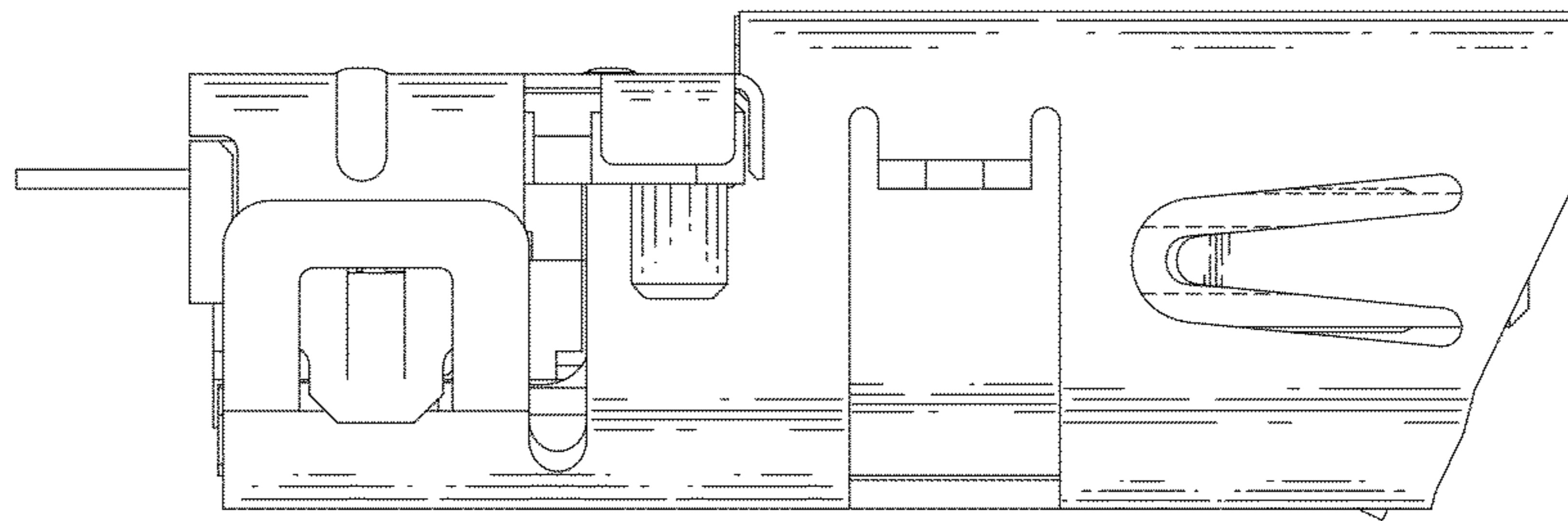


FIG. 4

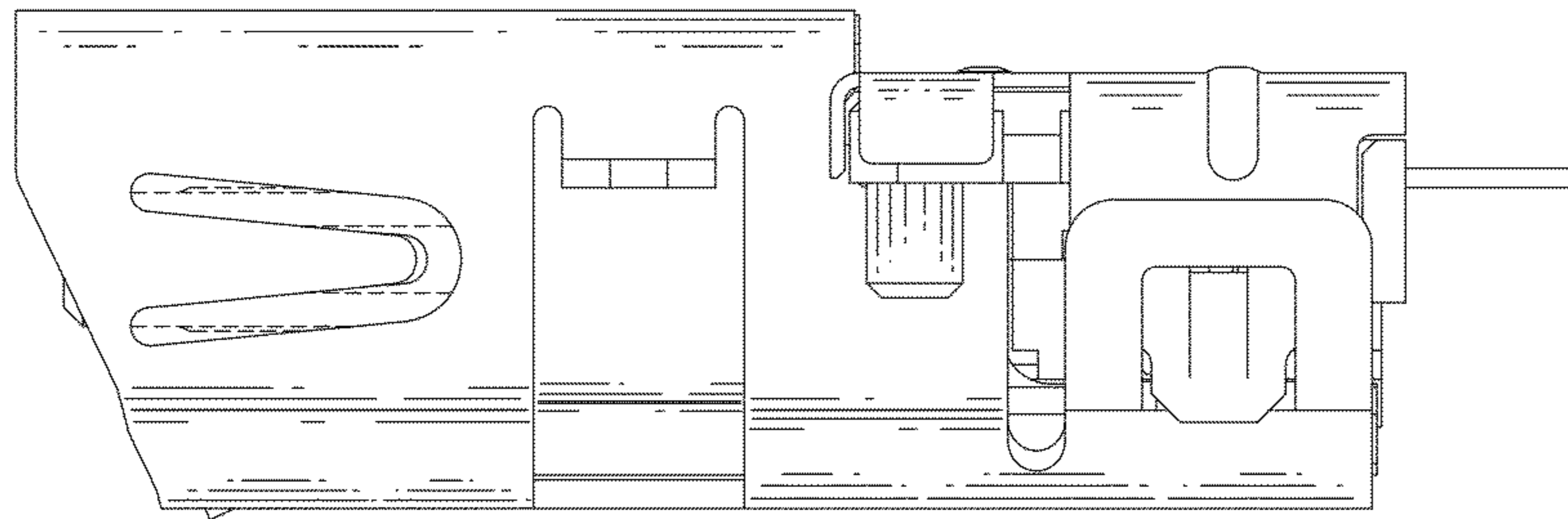


FIG. 5

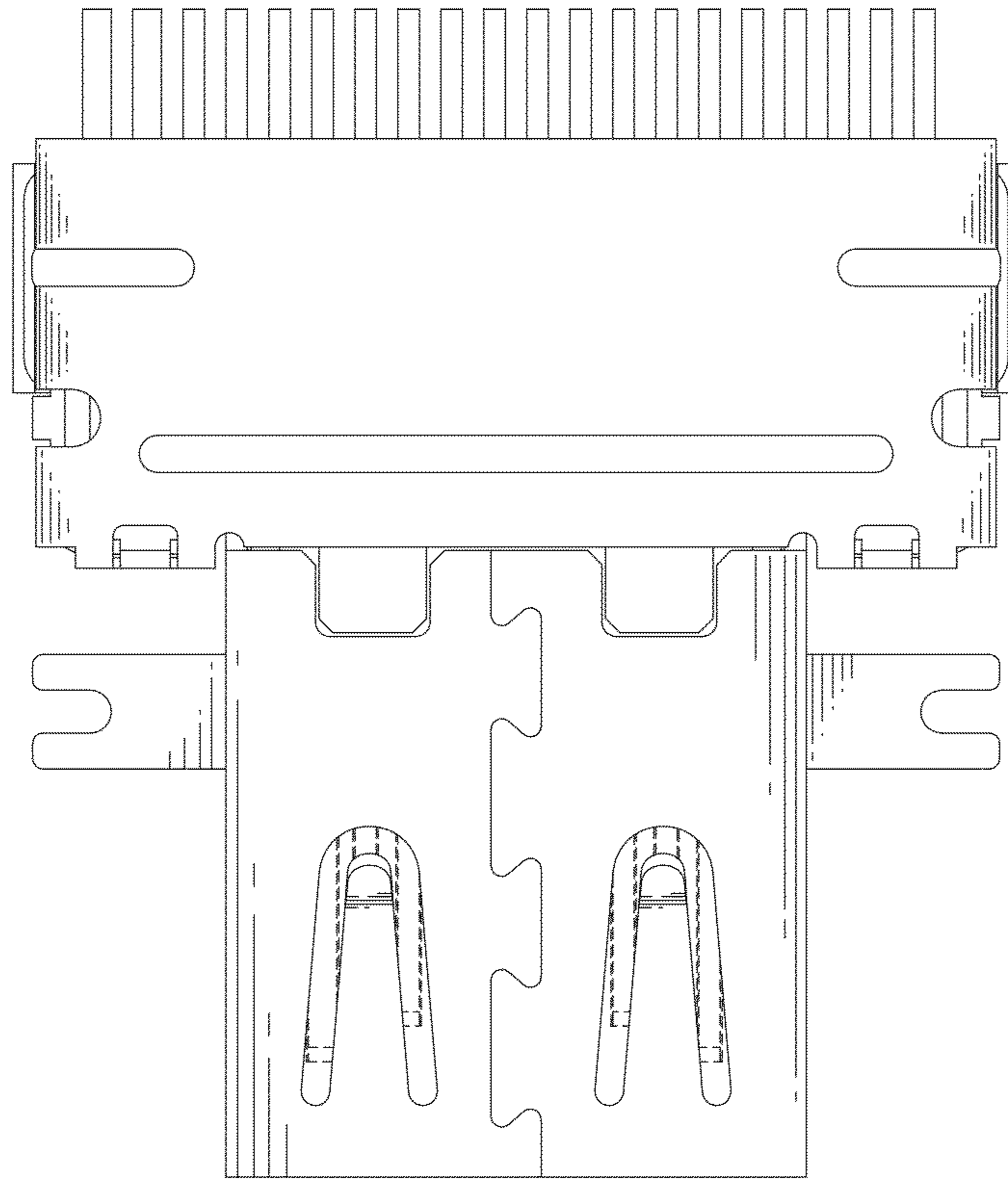


FIG. 6

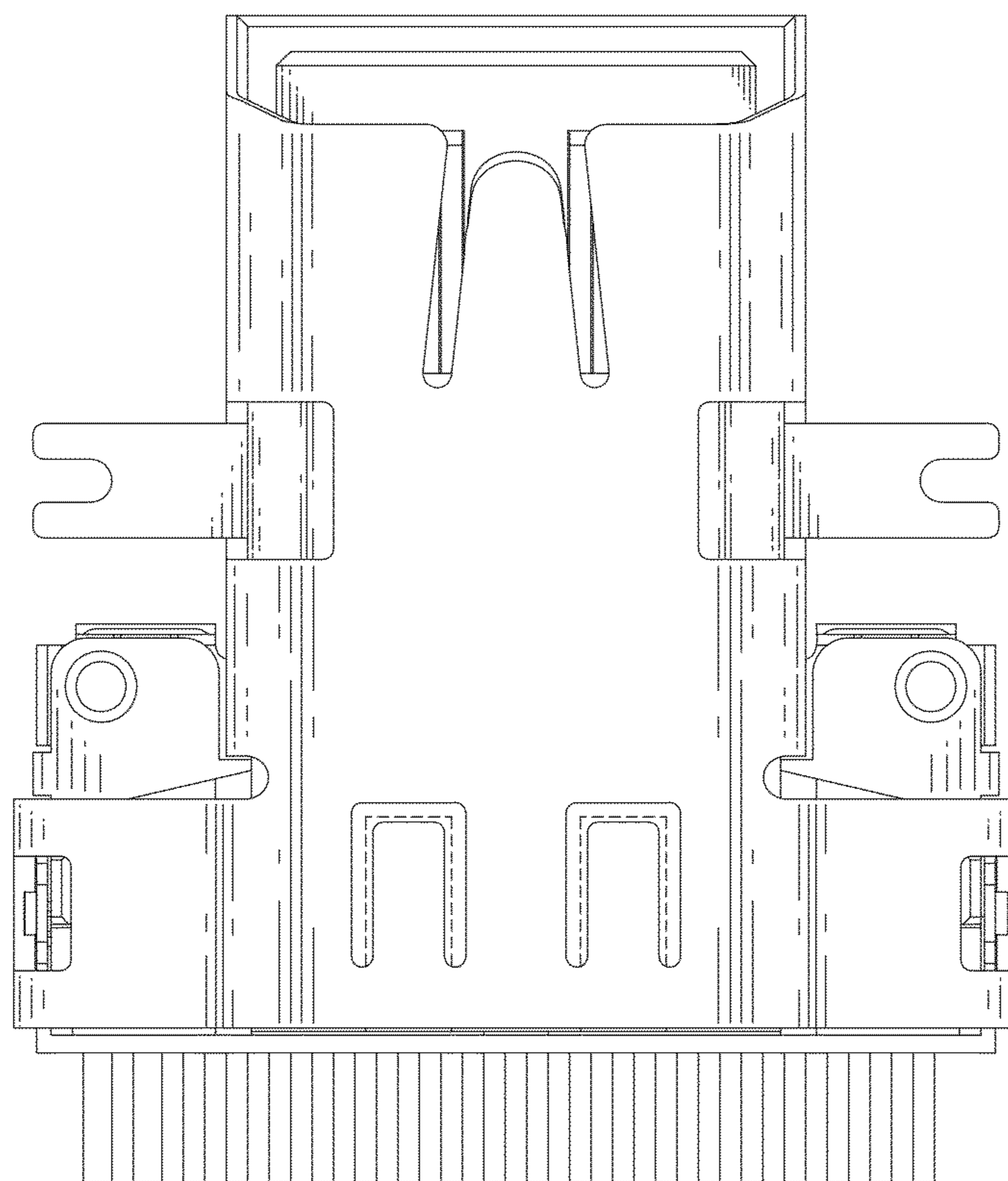


FIG. 7

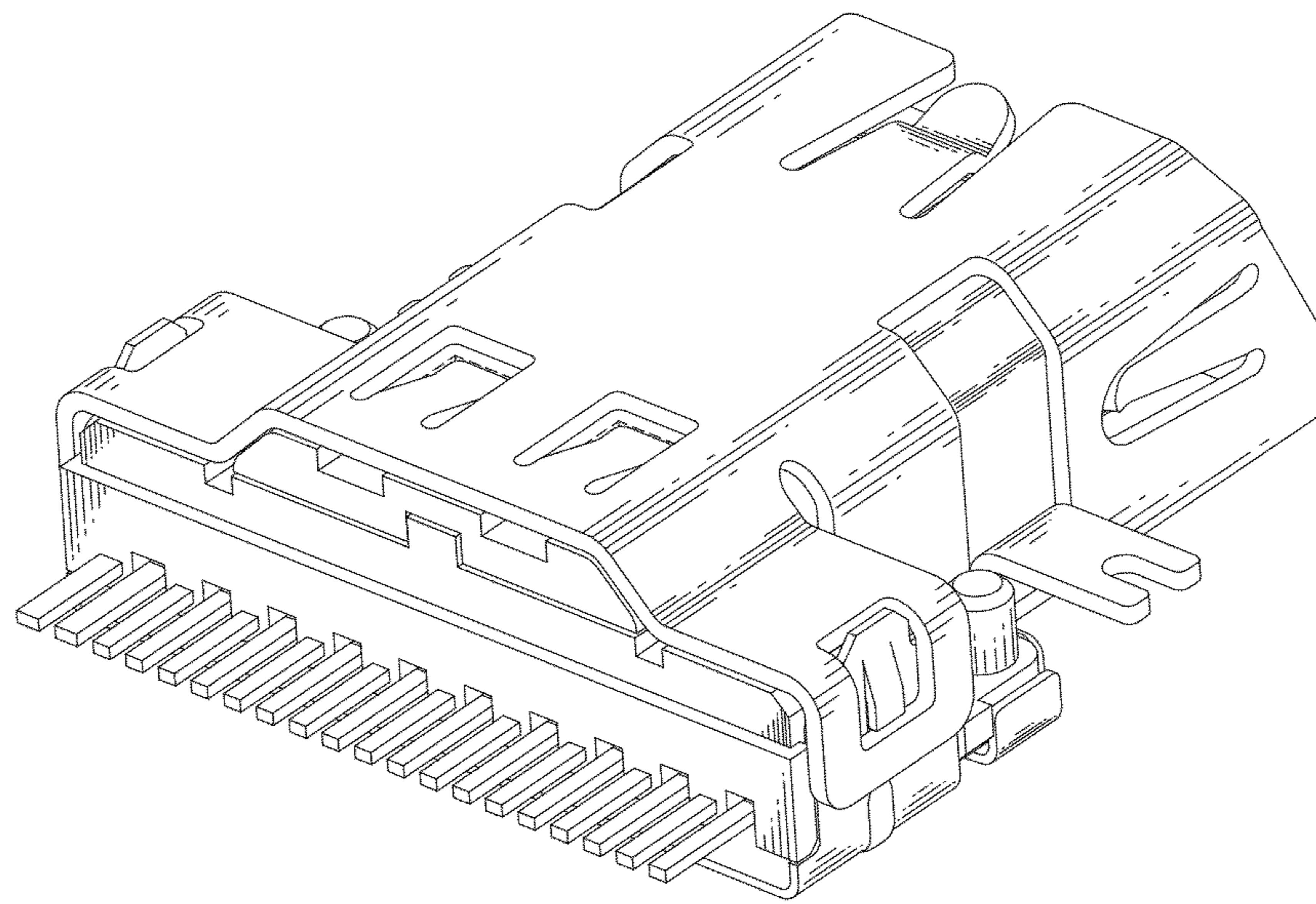


FIG. 8