



US00D680953S

(12) **United States Design Patent**  
**Kuo**

(10) **Patent No.:** **US D680,953 S**

(45) **Date of Patent:** **\*\* Apr. 30, 2013**

(54) **PORTABLE SOCKET**

(75) Inventor: **Ming-Chou Kuo**, Taipei (TW)

(73) Assignee: **Powertech Industrial Co., Ltd.**, Taipei  
Hsien (TW)

(\*\*) Term: **14 Years**

(21) Appl. No.: **29/382,015**

(22) Filed: **Dec. 28, 2010**

(30) **Foreign Application Priority Data**

Dec. 24, 2010 (TW) ..... 99306668

(51) **LOC (9) Cl.** ..... **13-03**

(52) **U.S. Cl.**  
USPC ..... **D13/137.2**

(58) **Field of Classification Search** ..... 320/107,  
320/108, 111, 113, 114, 115, 117, 137.2;  
D13/109, 117, 120, 130, 132, 136, 137.2,  
D13/137.3, 137.4, 138.1, 138.2, 139.4, 139.5,  
D13/139.7, 146, 151

See application file for complete search history.

(56) **References Cited**

**U.S. PATENT DOCUMENTS**

D366,453	S *	1/1996	Boesel et al.	.....	D13/137.2
D370,460	S *	6/1996	Boesel et al.	.....	D13/137.2
D443,589	S *	6/2001	Tong et al.	.....	D13/137.2
7,868,589	B2 *	1/2011	McSweyn et al.	.....	320/114
2003/0218445	A1 *	11/2003	Behar	.....	320/114
2005/0265569	A1 *	12/2005	Langberg et al.	.....	381/334
2009/0237031	A1 *	9/2009	McSweyn et al.	.....	320/114

**OTHER PUBLICATIONS**

Wittmann, Art Jan. 9, 2012, p. 1 <http://www.informationweek/personal-tech/peripherals/ces-2012-elegant-gadgets-abound/232301469>.\*

\* cited by examiner

*Primary Examiner* — Robert M Spear

*Assistant Examiner* — Rhea Shields

(74) *Attorney, Agent, or Firm* — Rosenberg, Klein & Lee

(57) **CLAIM**

The ornamental design for a “portable socket,” as shown and described.

**DESCRIPTION**

FIG. 1 is a perspective view of a “portable socket” showing my new design;

FIG. 2 is a front view thereof;

FIG. 3 is a rear view thereof;

FIG. 4 is a left side view thereof;

FIG. 5 is a right side view thereof;

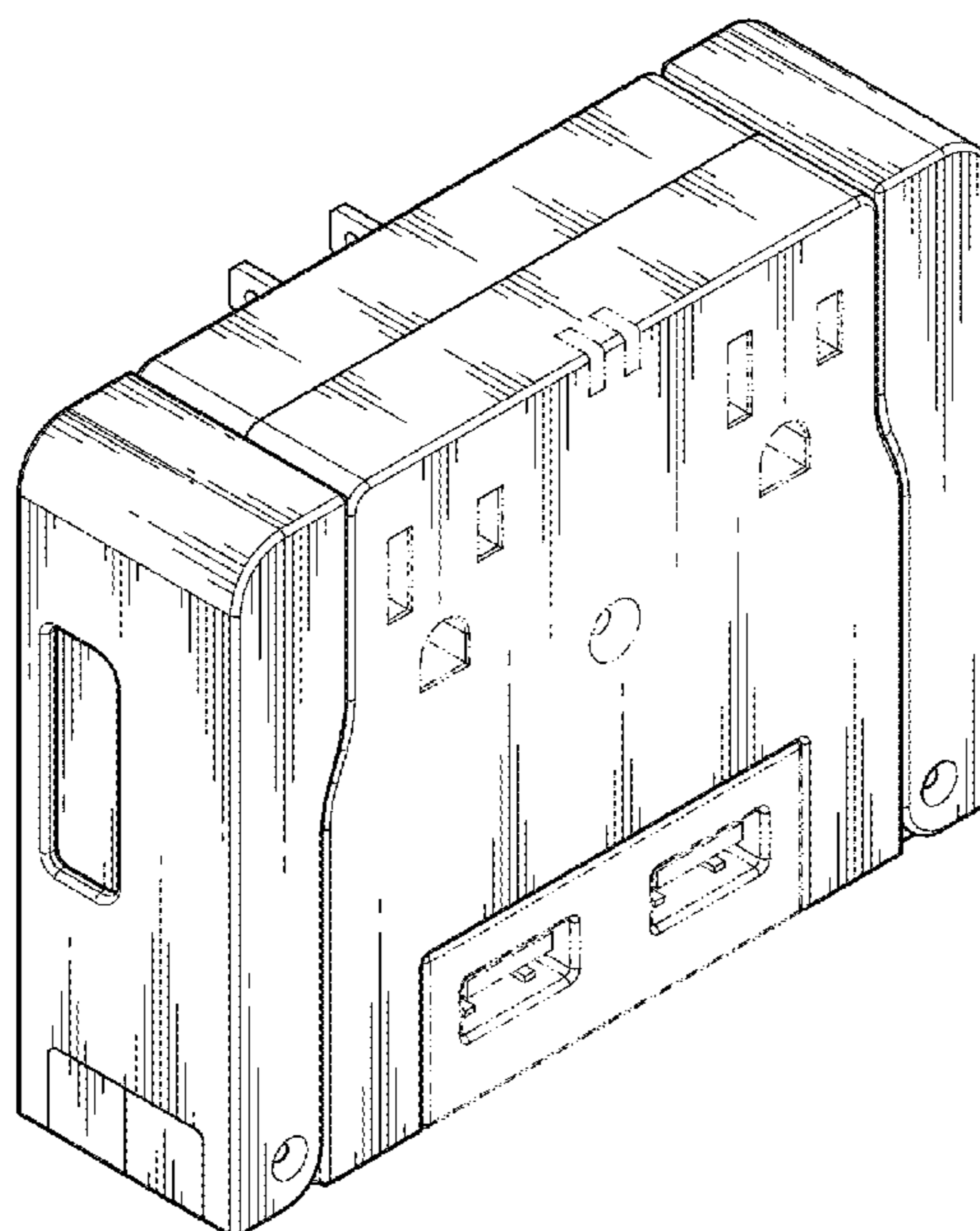
FIG. 6 is a top view thereof;

FIG. 7 is a bottom view thereof; and,

FIG. 8 is a perspective view showing the practical usage.

The broken lines throughout the drawings are included for the purpose of illustrating portions of the elements that do not form part of the claimed design, such as Outlet, USB, cell Phone and Cable.

**1 Claim, 5 Drawing Sheets**



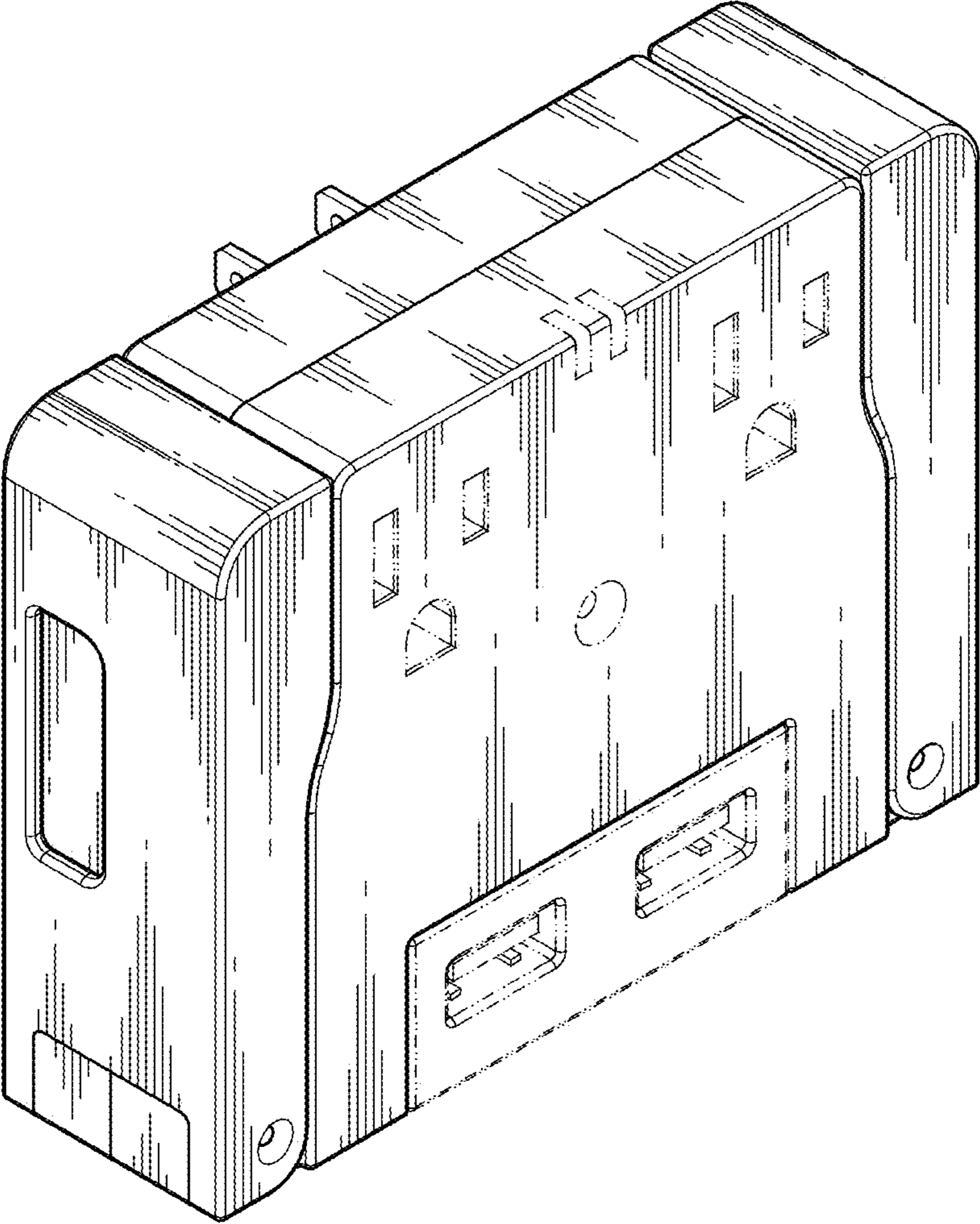


FIG. 1

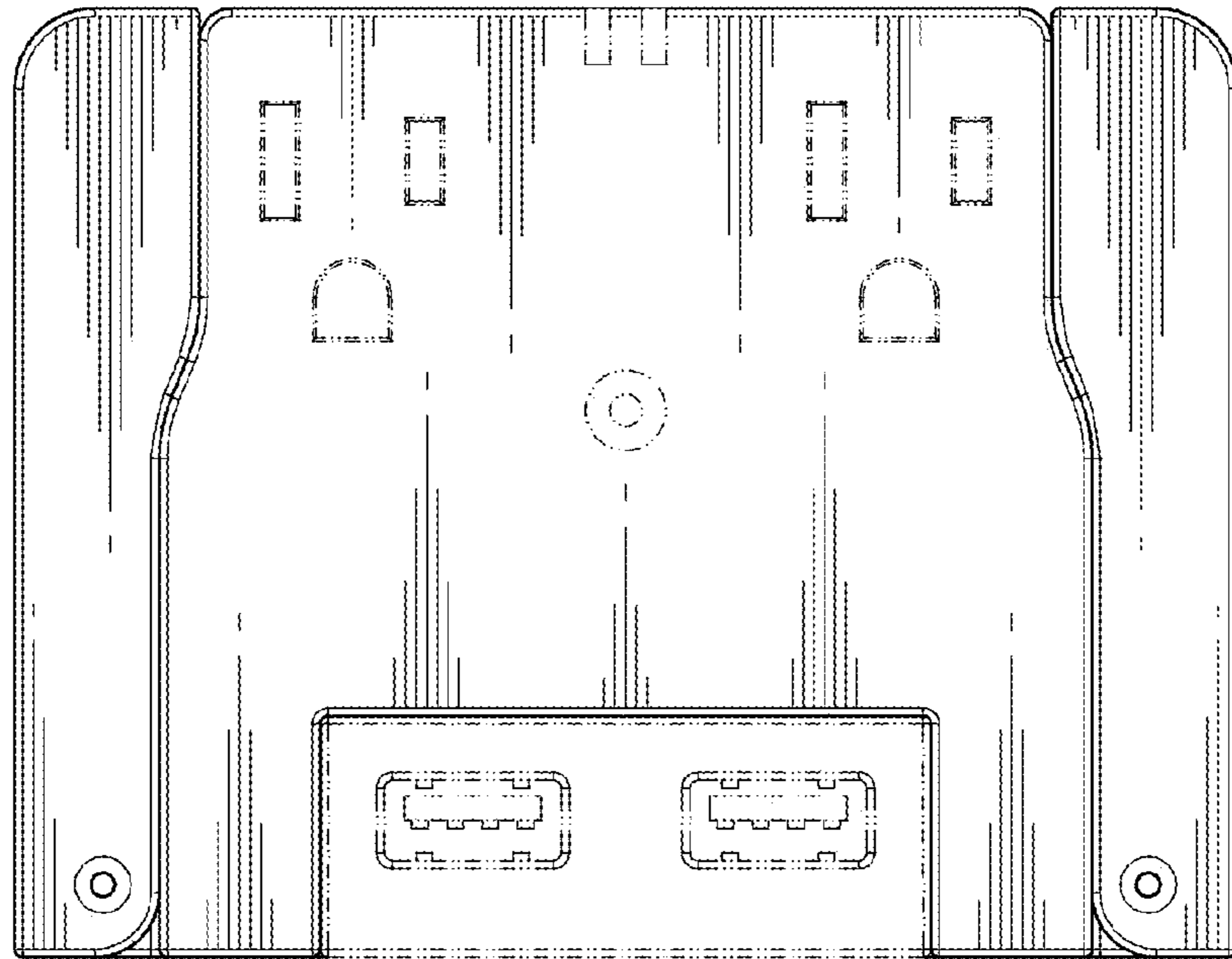


FIG. 2

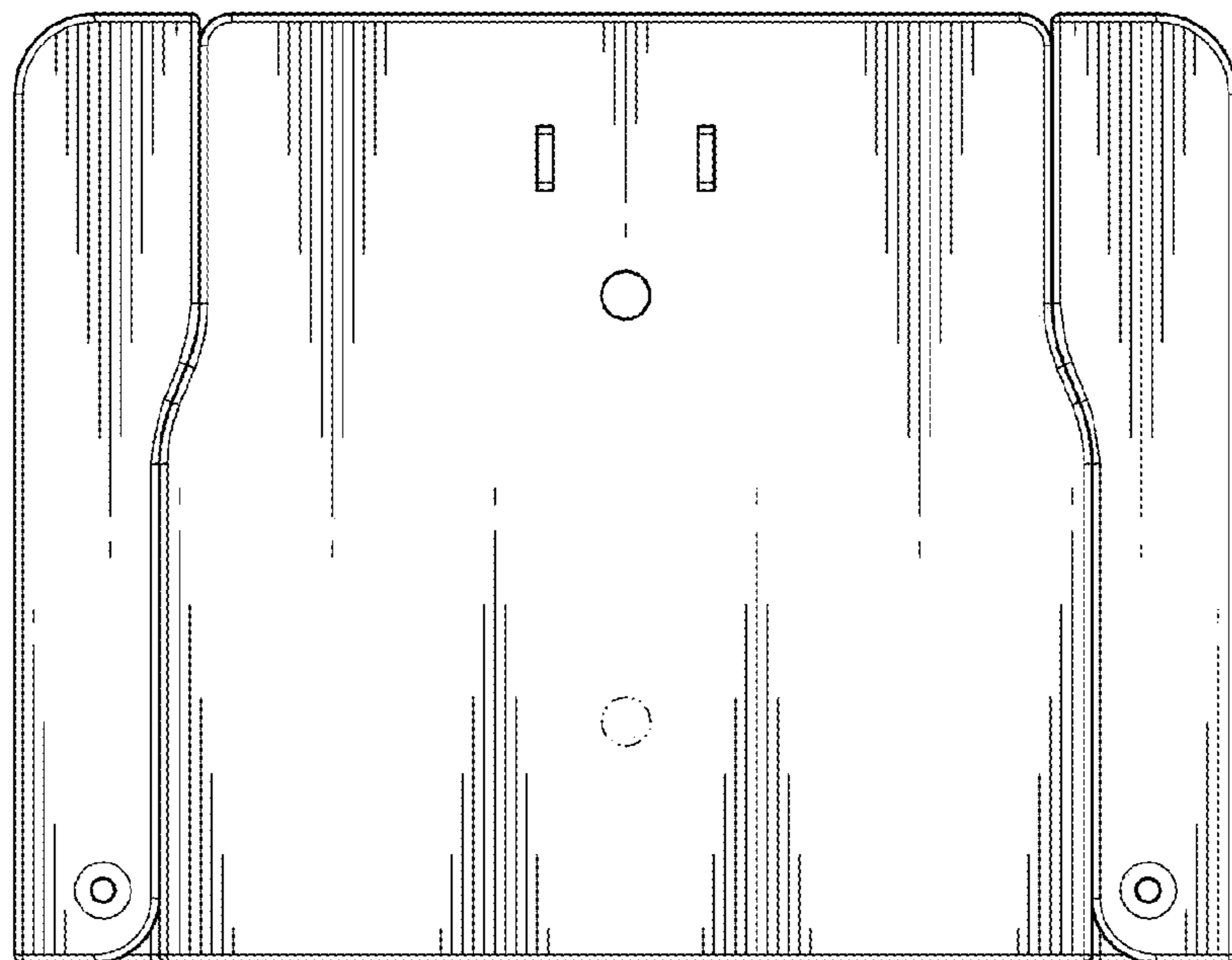


FIG. 3

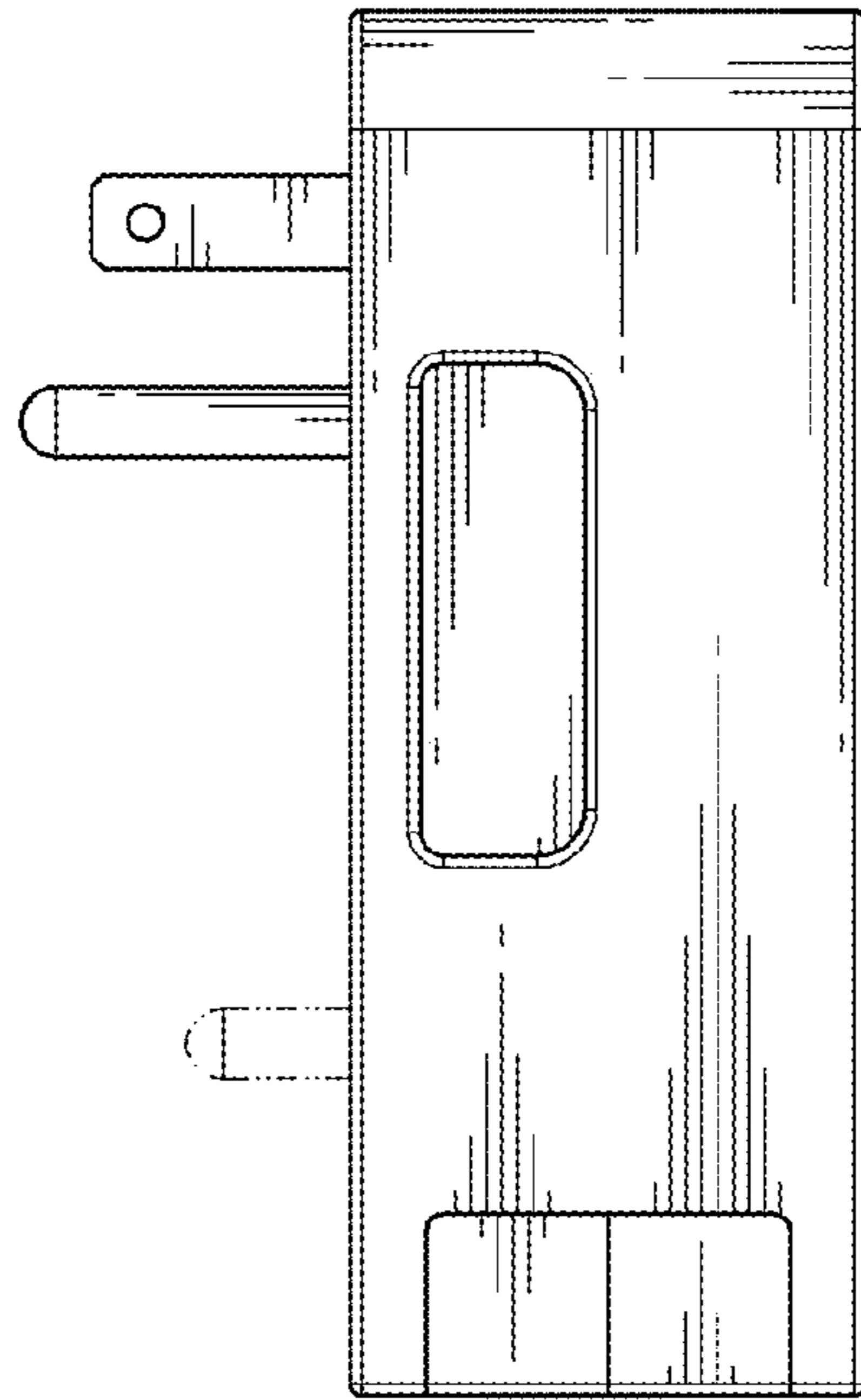


FIG. 4

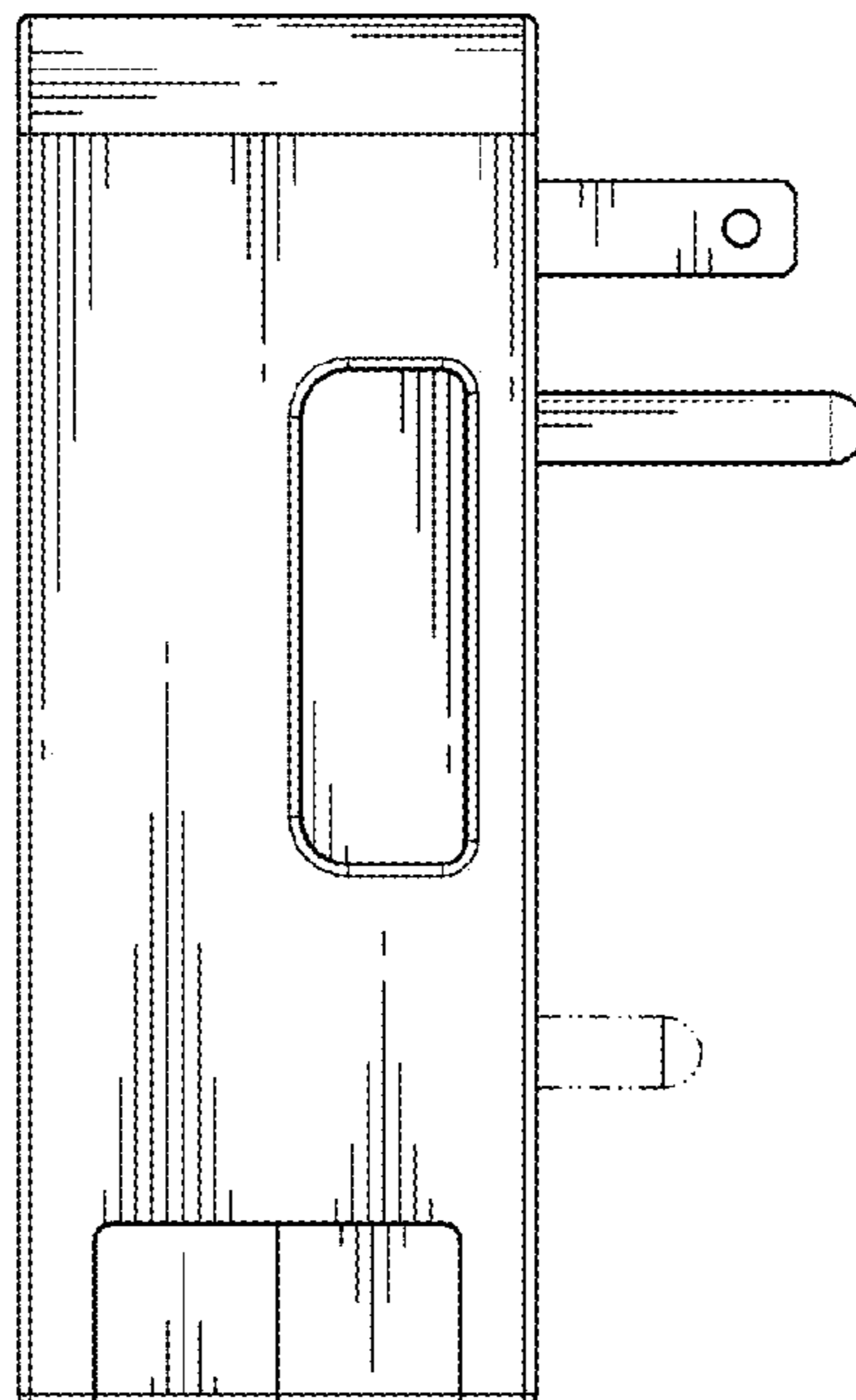


FIG. 5

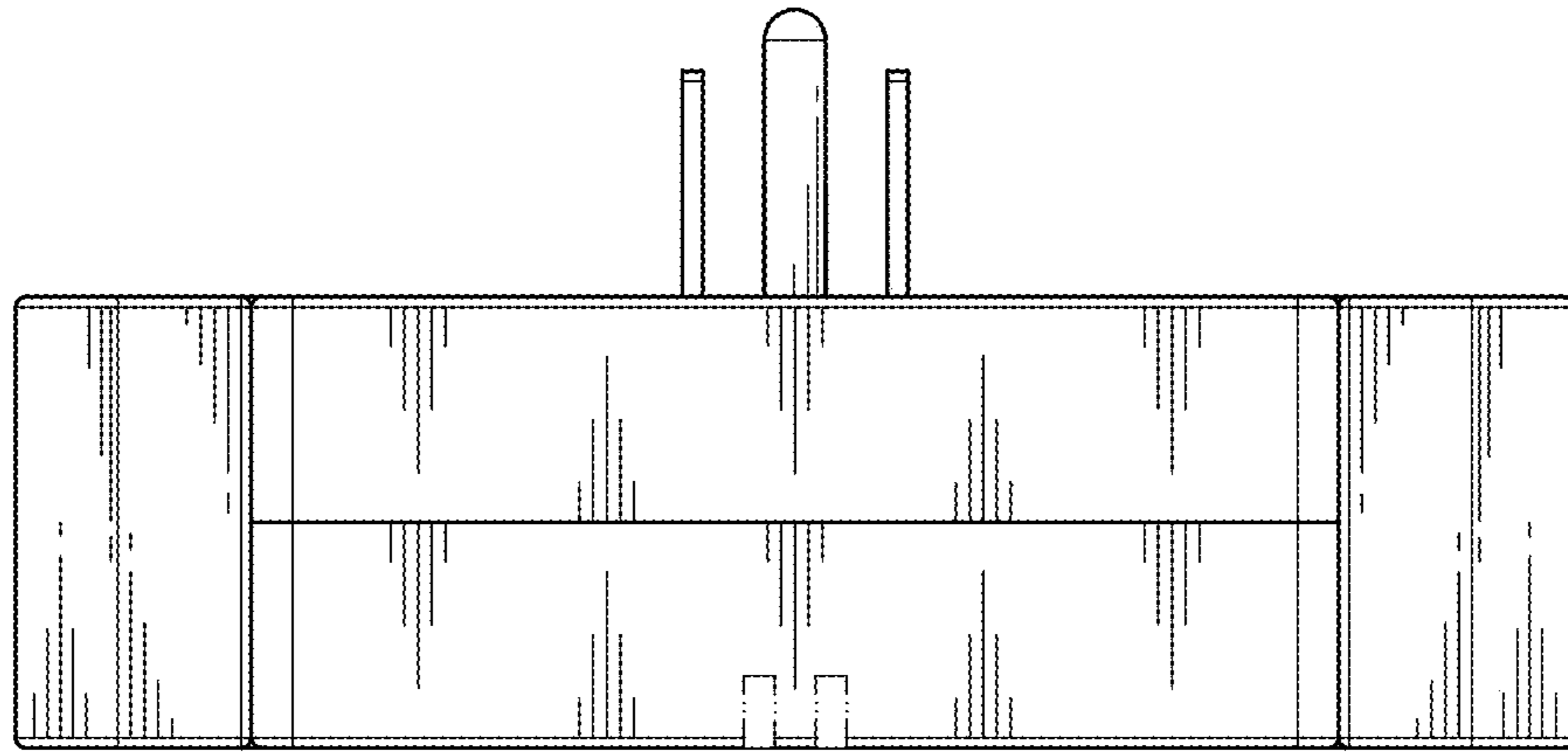


FIG. 6

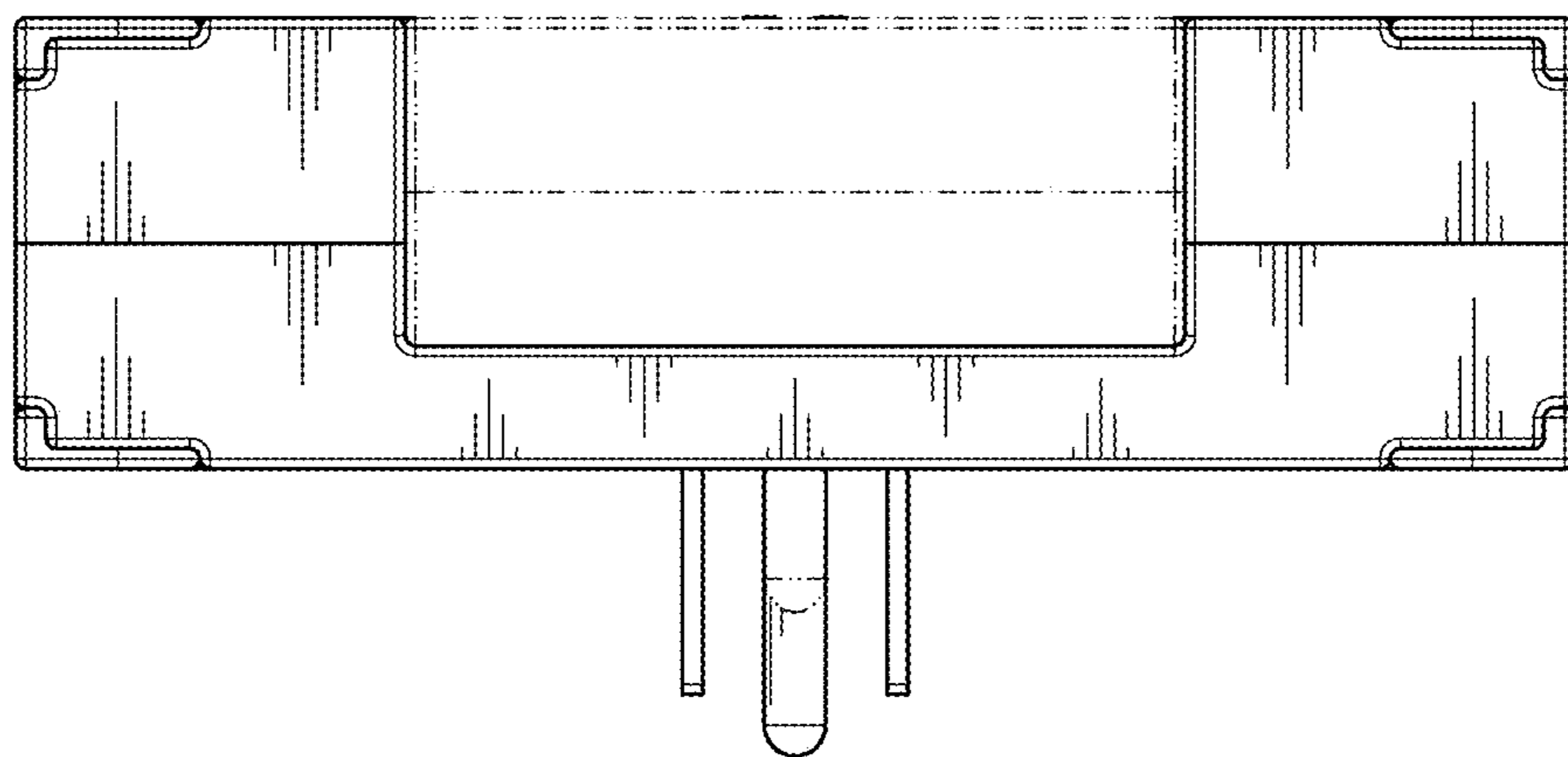


FIG. 7

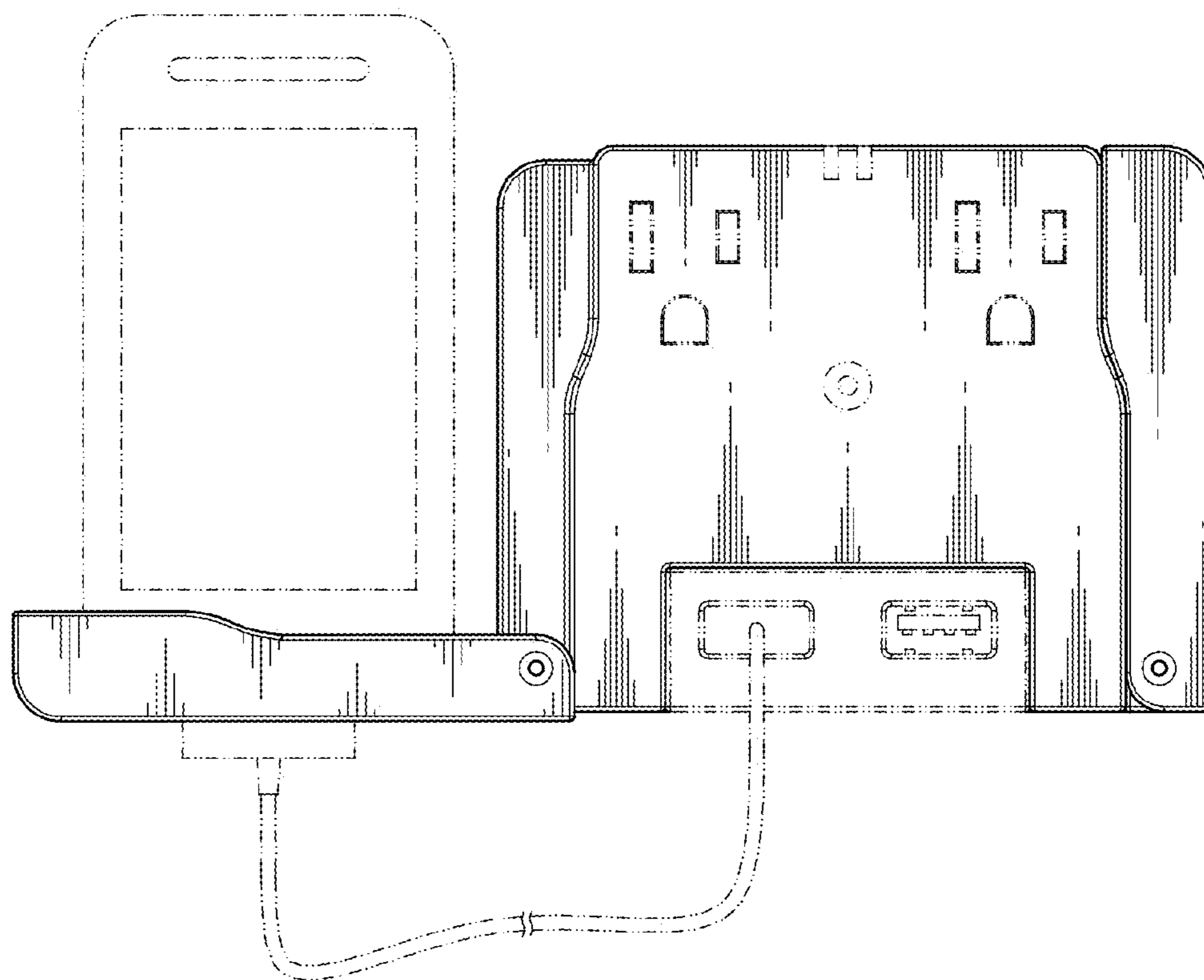


FIG. 8