



US00D680951S

(12) **United States Design Patent**  
**Lecoanet et al.**

(10) **Patent No.:** **US D680,951 S**  
(45) **Date of Patent:** **\*\* Apr. 30, 2013**

(54) **JUNCTION BOX**

(75) Inventors: **Benoit Lecoanet**, Grenoble (FR); **Gilles Gaillet**, Nogent sur Marne (FR)

(73) Assignee: **Schneider Electric Industries SAS**,  
Rueil-Malmaison (FR)

(\*\*) Term: **14 Years**

(21) Appl. No.: **29/371,320**

(22) Filed: **Dec. 29, 2010**

(30) **Foreign Application Priority Data**

Jun. 29, 2010 (EM) ..... 001725326-0001

(51) **LOC (9) Cl.** ..... **13-02**

(52) **U.S. Cl.**  
USPC ..... **D13/108**

(58) **Field of Classification Search** ..... D13/106–110,  
D13/118–119, 133, 146, 147, 154, 156, 184,  
D13/199; D15/9; 320/103–115

See application file for complete search history.

(56) **References Cited**

**U.S. PATENT DOCUMENTS**

D300,678 S \* 4/1989 Barrault ..... D32/73  
D442,939 S \* 5/2001 Goldenburg ..... D14/191  
D623,189 S \* 9/2010 Son et al. .... D14/434  
D634,267 S \* 3/2011 Blain ..... D13/107

D641,694 S \* 7/2011 Akahori et al. .... D13/107  
D649,551 S \* 11/2011 Hwang et al. .... D14/434  
D650,328 S \* 12/2011 Fitch et al. .... D13/107  
D652,377 S \* 1/2012 Butts et al. .... D13/107  
D652,834 S \* 1/2012 Jones et al. .... D14/434

\* cited by examiner

*Primary Examiner* — Rosemary K Tarcza

(74) *Attorney, Agent, or Firm* — Steptoe & Johnson LLP

(57) **CLAIM**

The ornamental design for a junction box, as shown and described.

**DESCRIPTION**

FIG. 1 is a front/left side perspective view of a junction box, which embodies the inventive ornamental design;  
FIG. 2 is a front elevation view of the junction box of FIG. 1 embodying the inventive design;  
FIG. 3 is a top view of the junction box of FIG. 1 embodying the inventive design;  
FIG. 4 is a bottom view of the junction box of FIG. 1 embodying the inventive design;  
FIG. 5 is a right side view of the junction box of FIG. 1 embodying the inventive design;  
FIG. 6 is a left side view of the junction box of FIG. 1 embodying the inventive design; and,  
FIG. 7 is a back elevation view of the junction box of FIG. 1 embodying the inventive design.

**1 Claim, 5 Drawing Sheets**

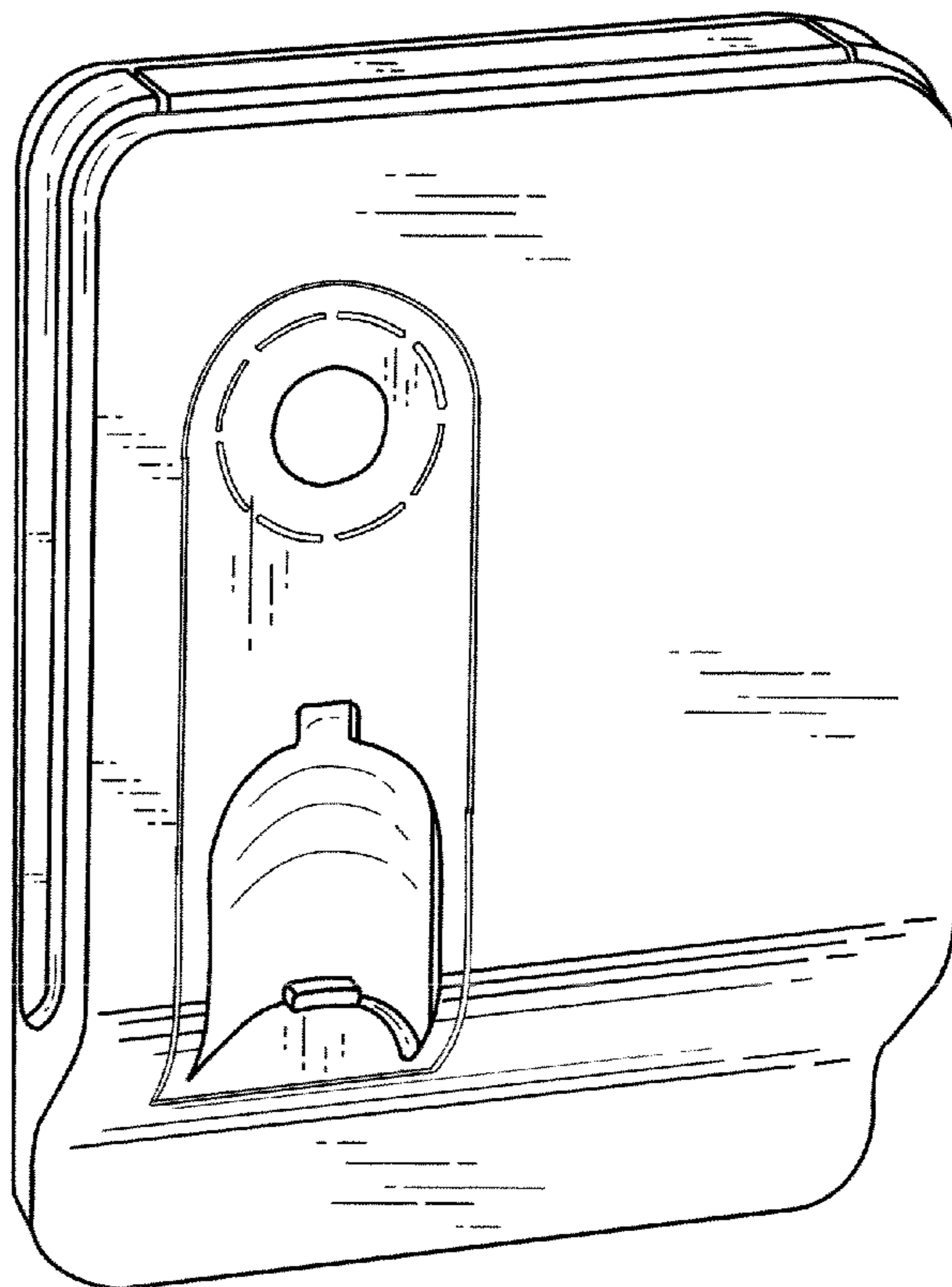


FIG. 1

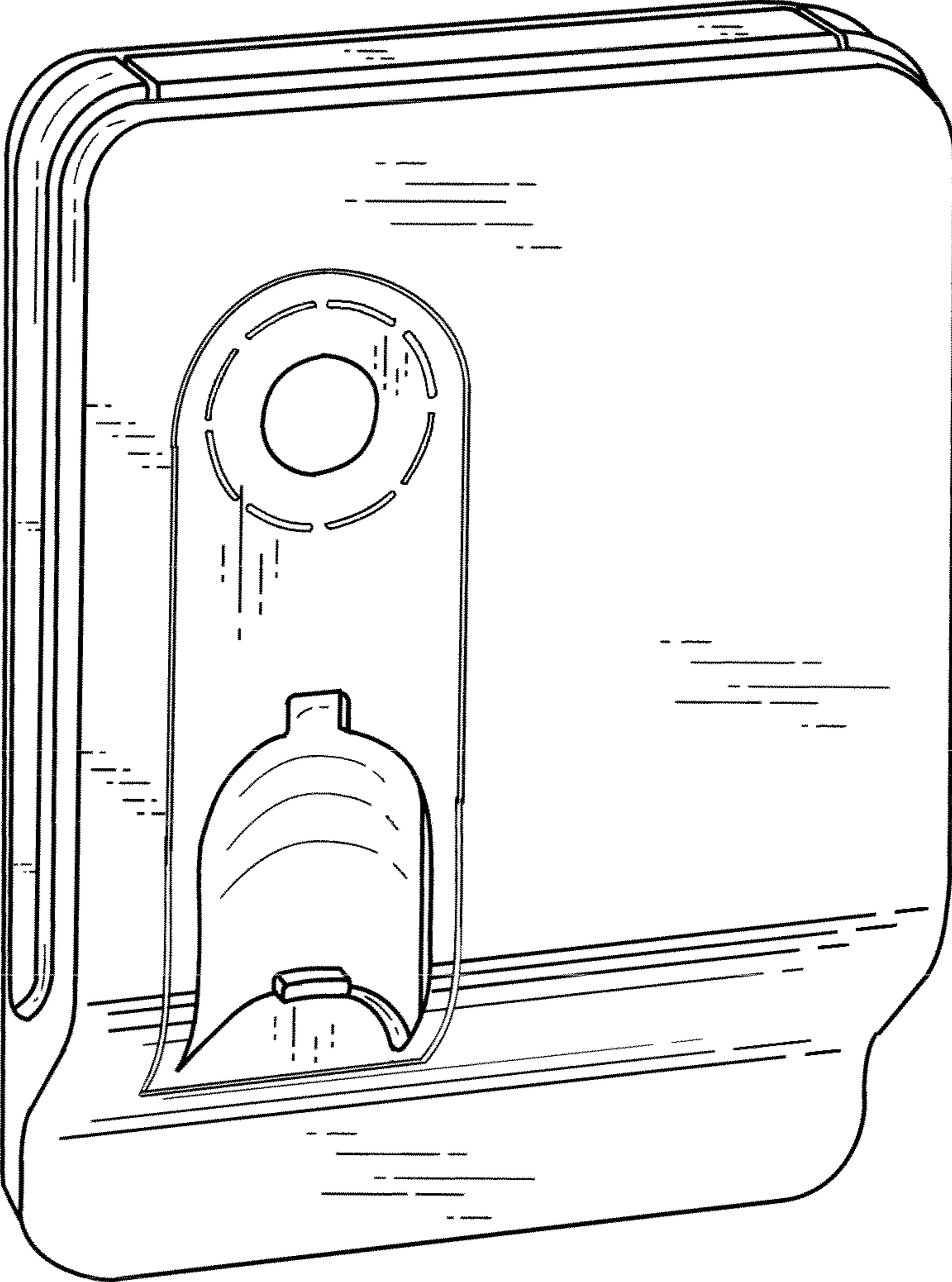


FIG. 2

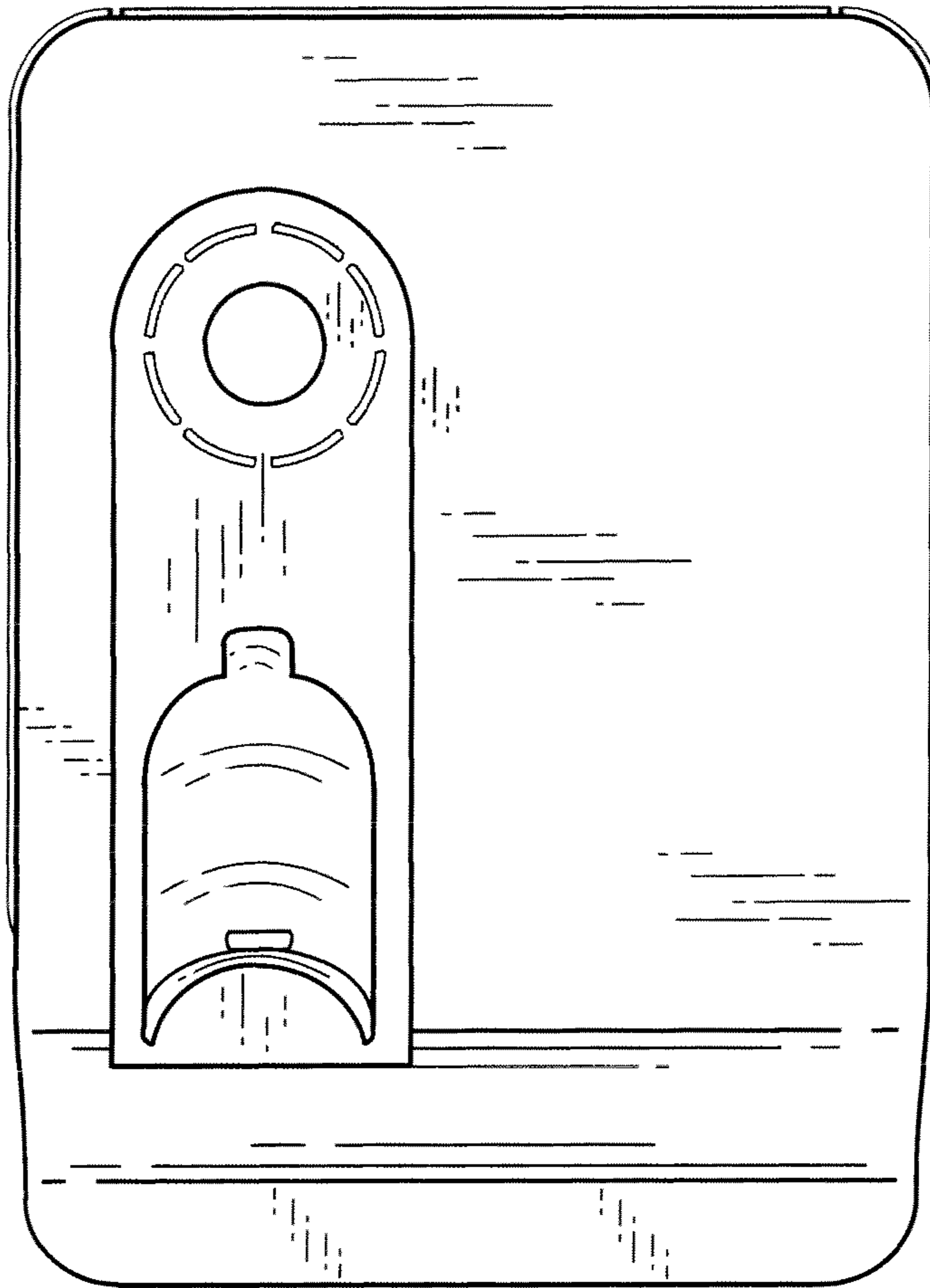


FIG. 3

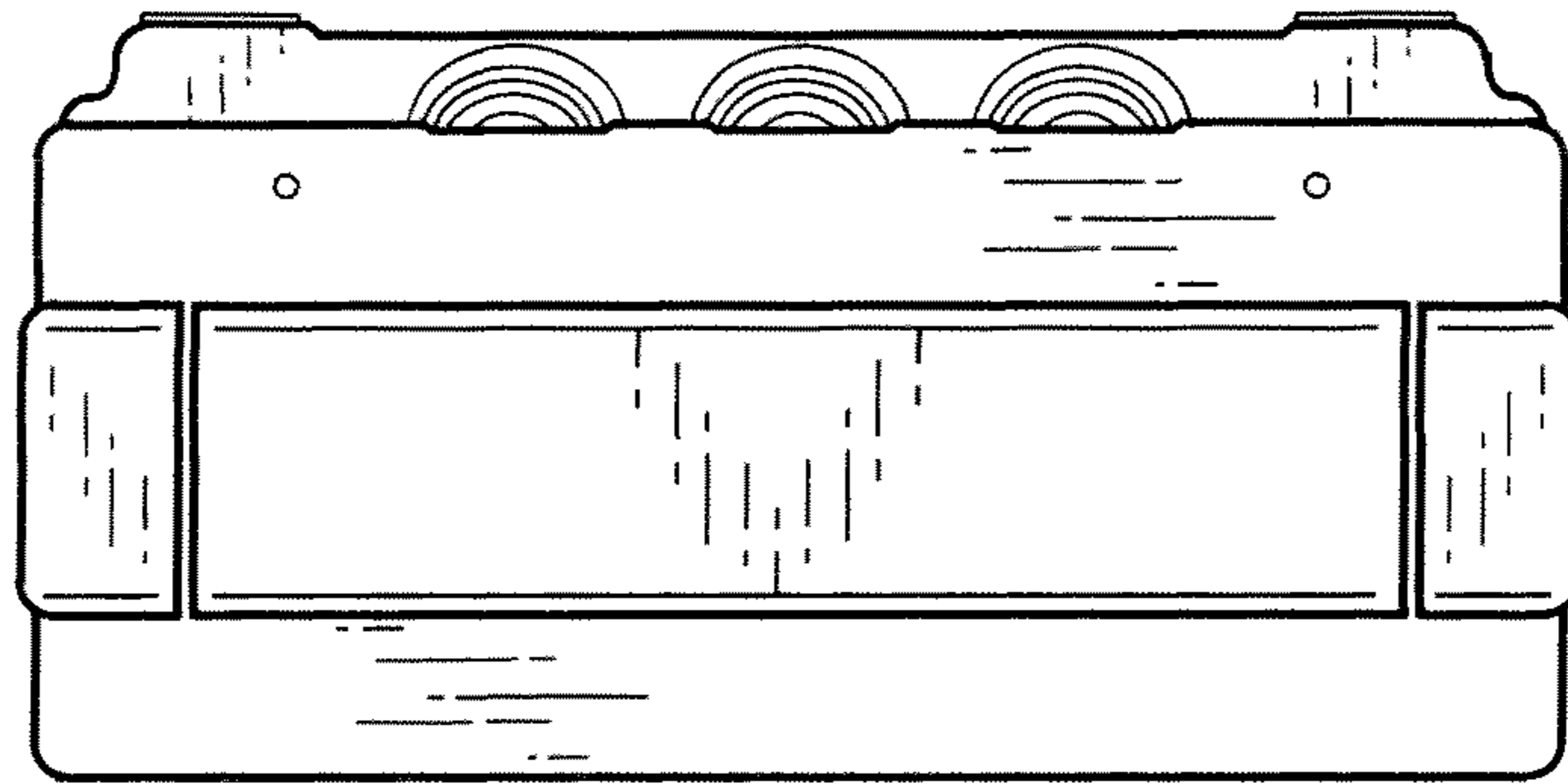


FIG. 4

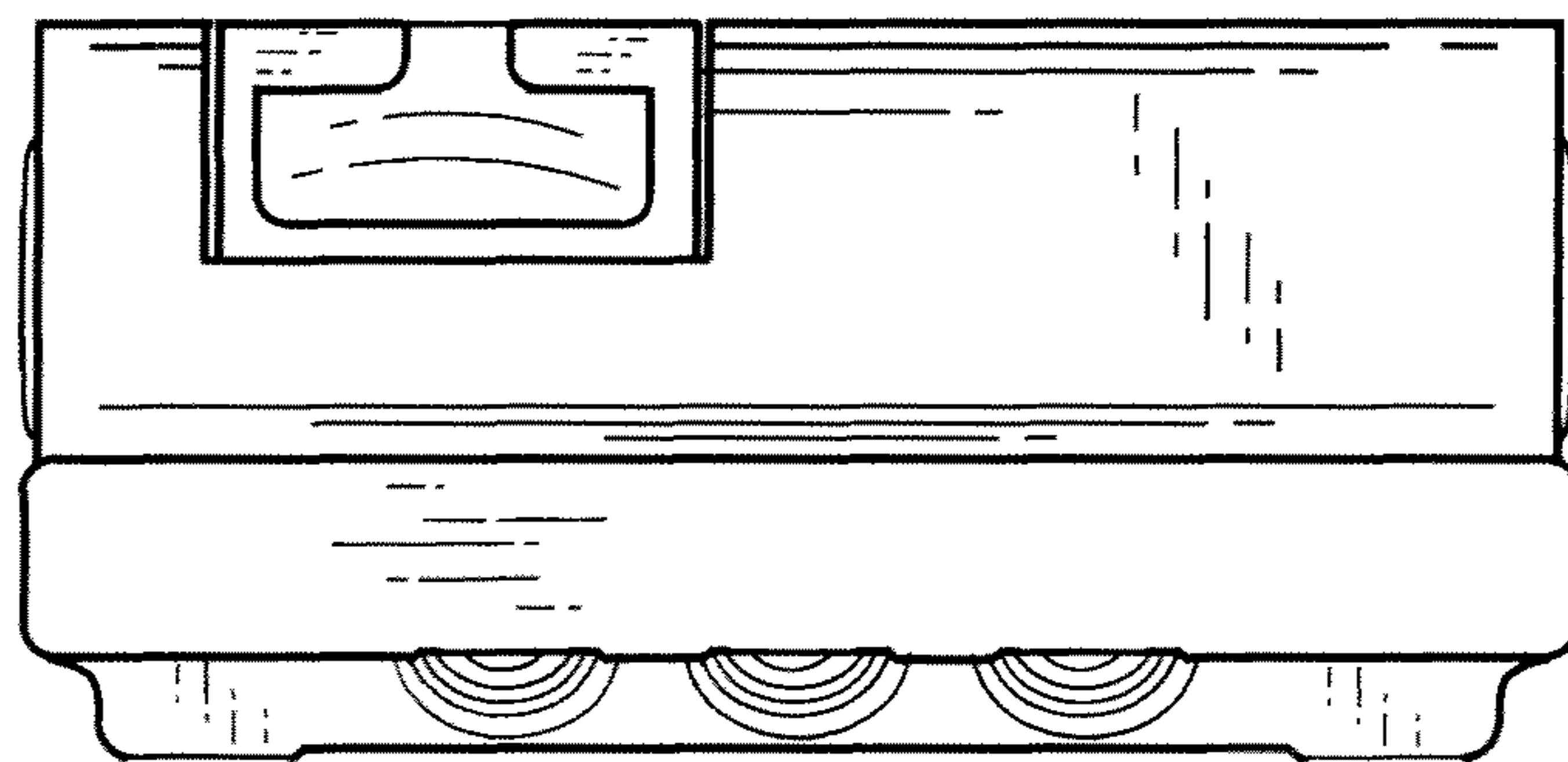


FIG. 5

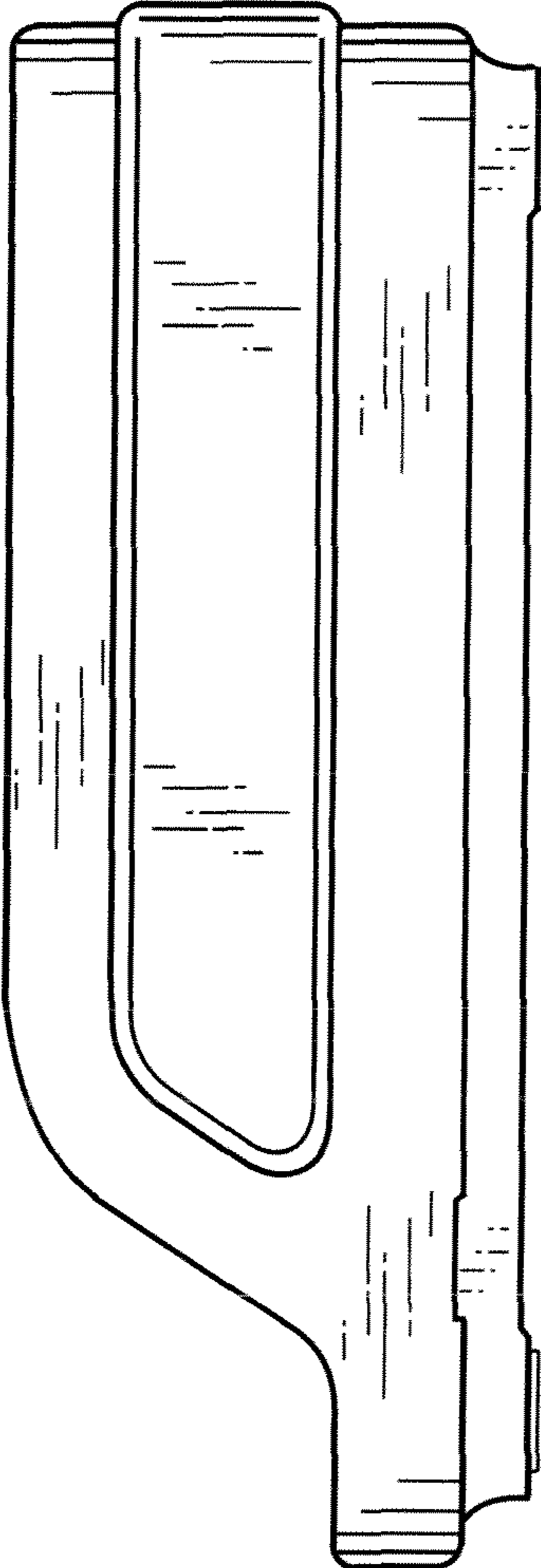


FIG. 6

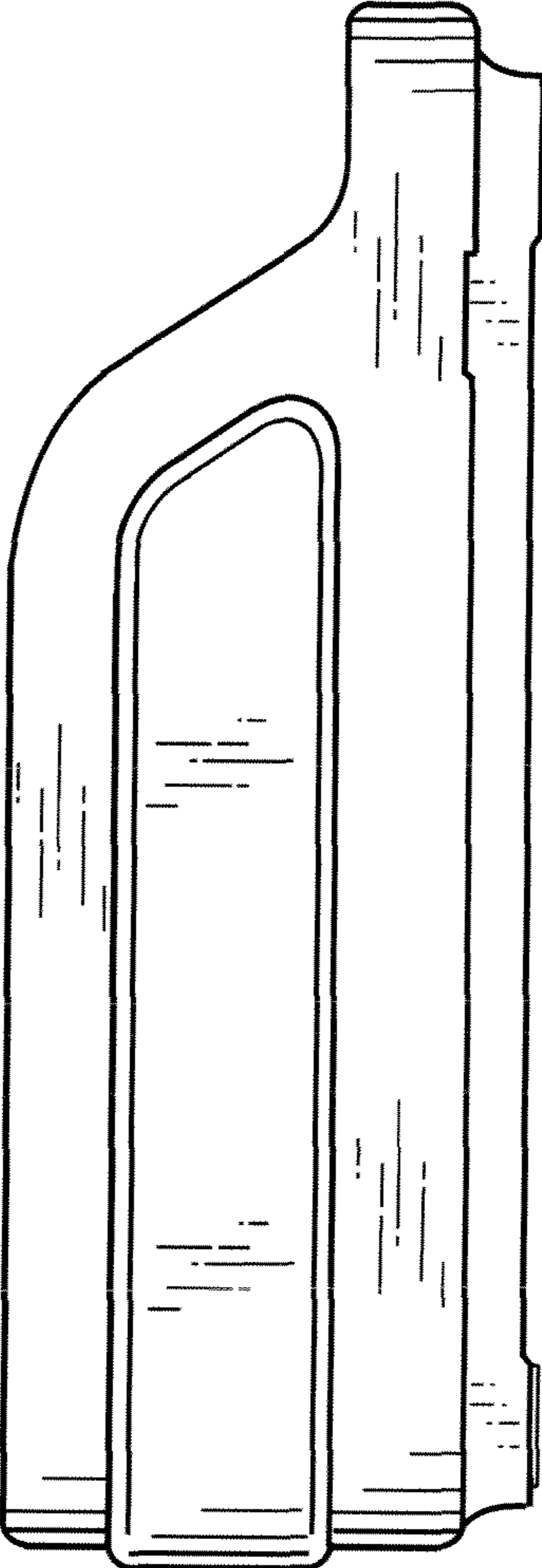


FIG. 7

