



US00D680949S

(12) **United States Design Patent**
Swatek

(10) **Patent No.:** **US D680,949 S**

(45) **Date of Patent:** **** Apr. 30, 2013**

(54) **SOLAR POWER MODULE**

(71) Applicant: **Smart Flower Energy Technology GmbH, Gussing (AT)**

(72) Inventor: **Alexander Swatek, Güssing (AT)**

(73) Assignee: **Smart Flower Energy Technology GmbH, Gussing (AT)**

(**) Term: **14 Years**

(21) Appl. No.: **29/434,698**

(22) Filed: **Oct. 16, 2012**

(30) **Foreign Application Priority Data**

Apr. 17, 2012 (EM) 002027938-0001
Apr. 17, 2012 (EM) 002027938-0002

(51) **LOC (9) Cl.** **13-02**

(52) **U.S. Cl.**
USPC **D13/102**

(58) **Field of Classification Search** D13/102,
D13/101, 103, 107, 118, 119, 184, 199; 126/561,
126/600, 605, 606, 627, 667; 136/206, 244-251,
136/256, 291, 292; 320/101, 102; 438/80
See application file for complete search history.

(56) **References Cited**

U.S. PATENT DOCUMENTS

3,643,648 A * 2/1972 Tarcici 126/627
3,797,476 A * 3/1974 Tarcici 126/600
4,252,107 A * 2/1981 Horton 126/605

4,583,520 A * 4/1986 Dietrich et al. 126/606
D420,973 S * 2/2000 Kalarney D13/102
6,442,937 B1 * 9/2002 Stone et al. 60/641.11
D505,113 S * 5/2005 Lam D13/107
D631,004 S * 1/2011 Johnson D13/102

* cited by examiner

Primary Examiner — Derrick Holland

(74) *Attorney, Agent, or Firm* — Hoffmann & Baron, LLP

(57) **CLAIM**

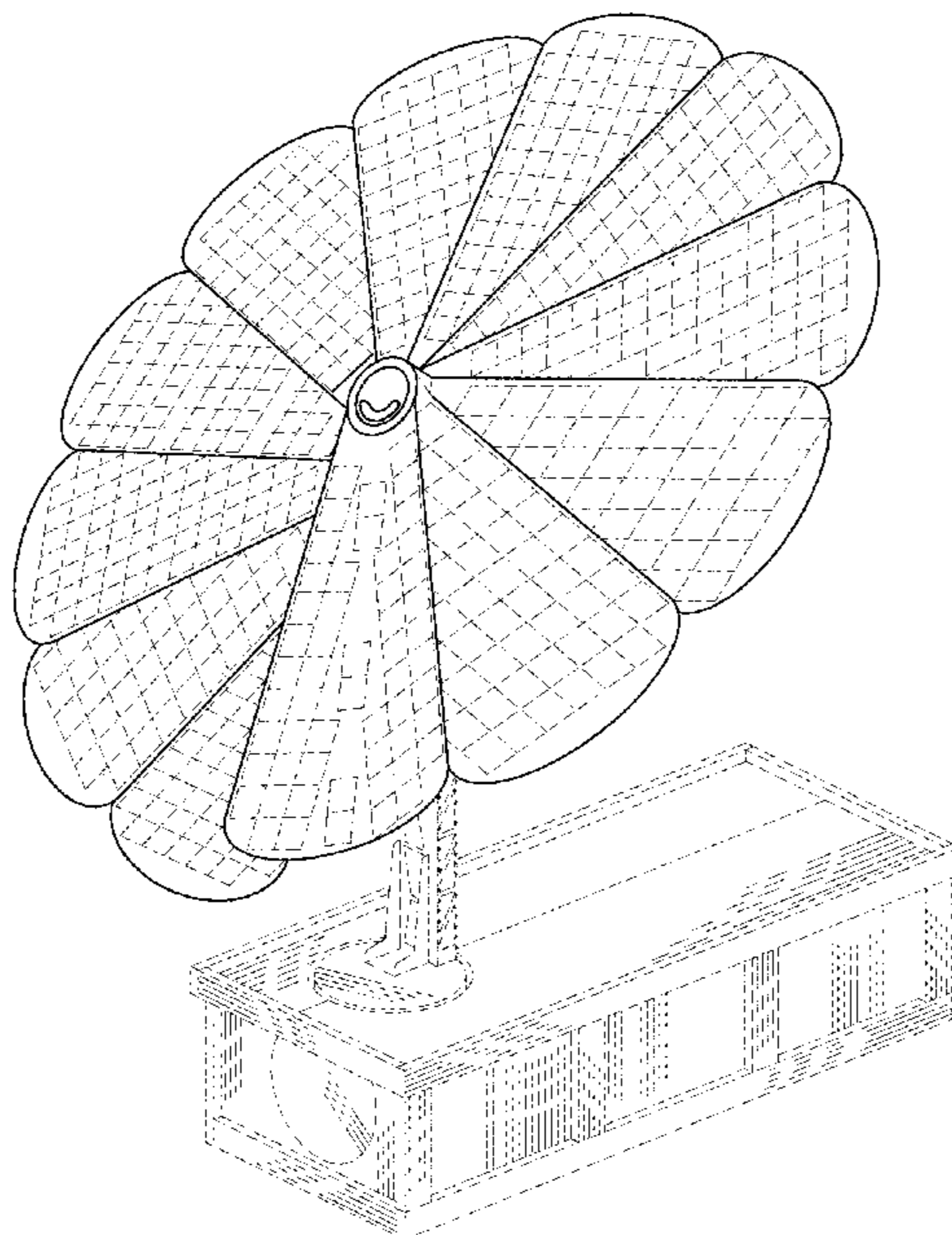
The ornamental design for a solar power module, as shown and described.

DESCRIPTION

FIG. 1 is a perspective view of a solar power module constructed in accordance with the invention;
FIG. 2 is a front view of the solar power module shown in FIG. 1;
FIG. 3 is a right side elevational view of the solar power module shown in FIG. 1;
FIG. 4 is a rear view of the solar power module shown in FIG. 1;
FIG. 5 is a left side elevational view of the solar power module shown in FIG. 1;
FIG. 6 is a top plan view of the solar power module shown in FIG. 1; and,
FIG. 7 is a bottom plan view of the solar power module shown in FIG. 1.

The broken lines shown in the drawings represent unclaimed environment and are for illustrative purposes only, forming no part of the claimed design.

1 Claim, 7 Drawing Sheets



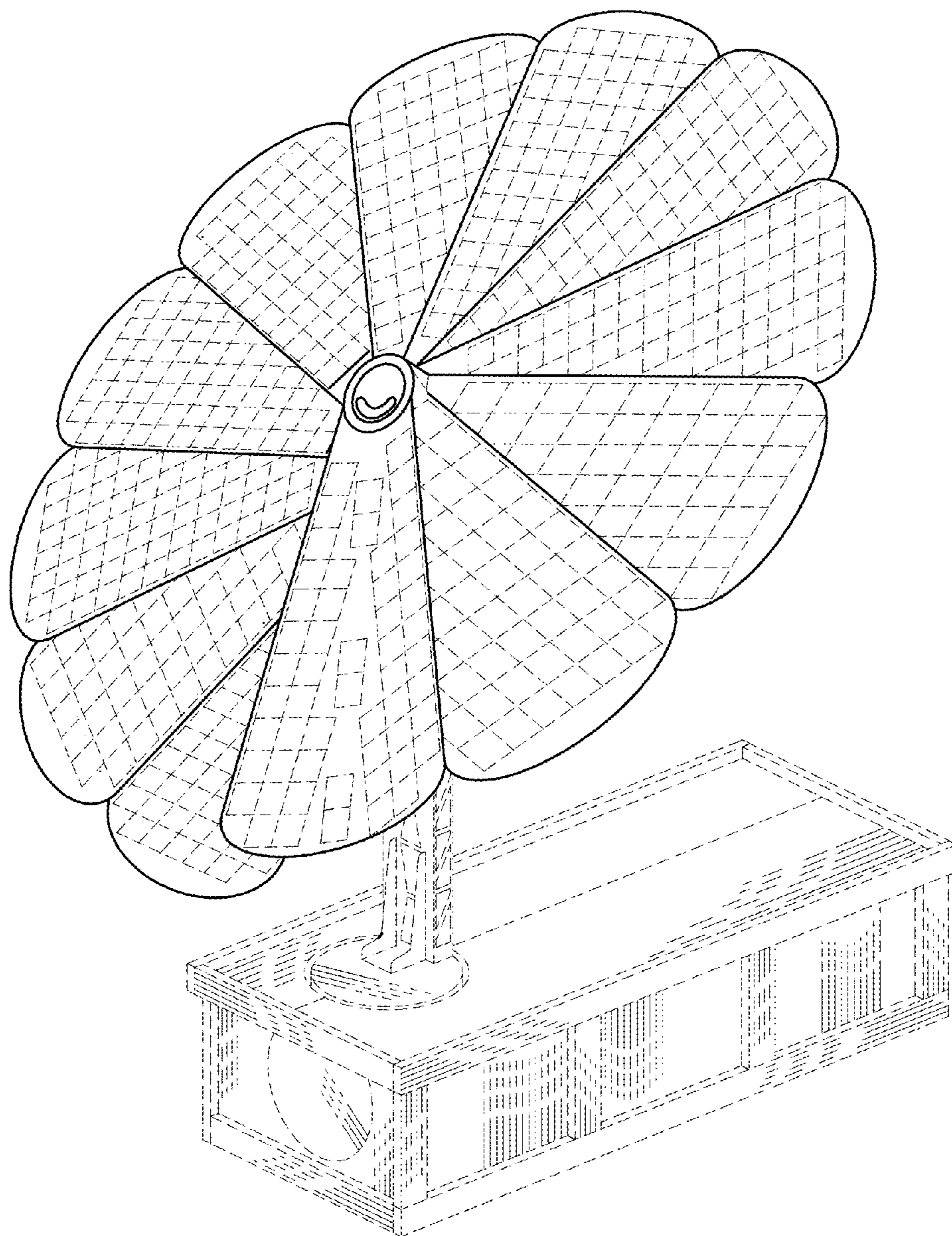


Fig. 1

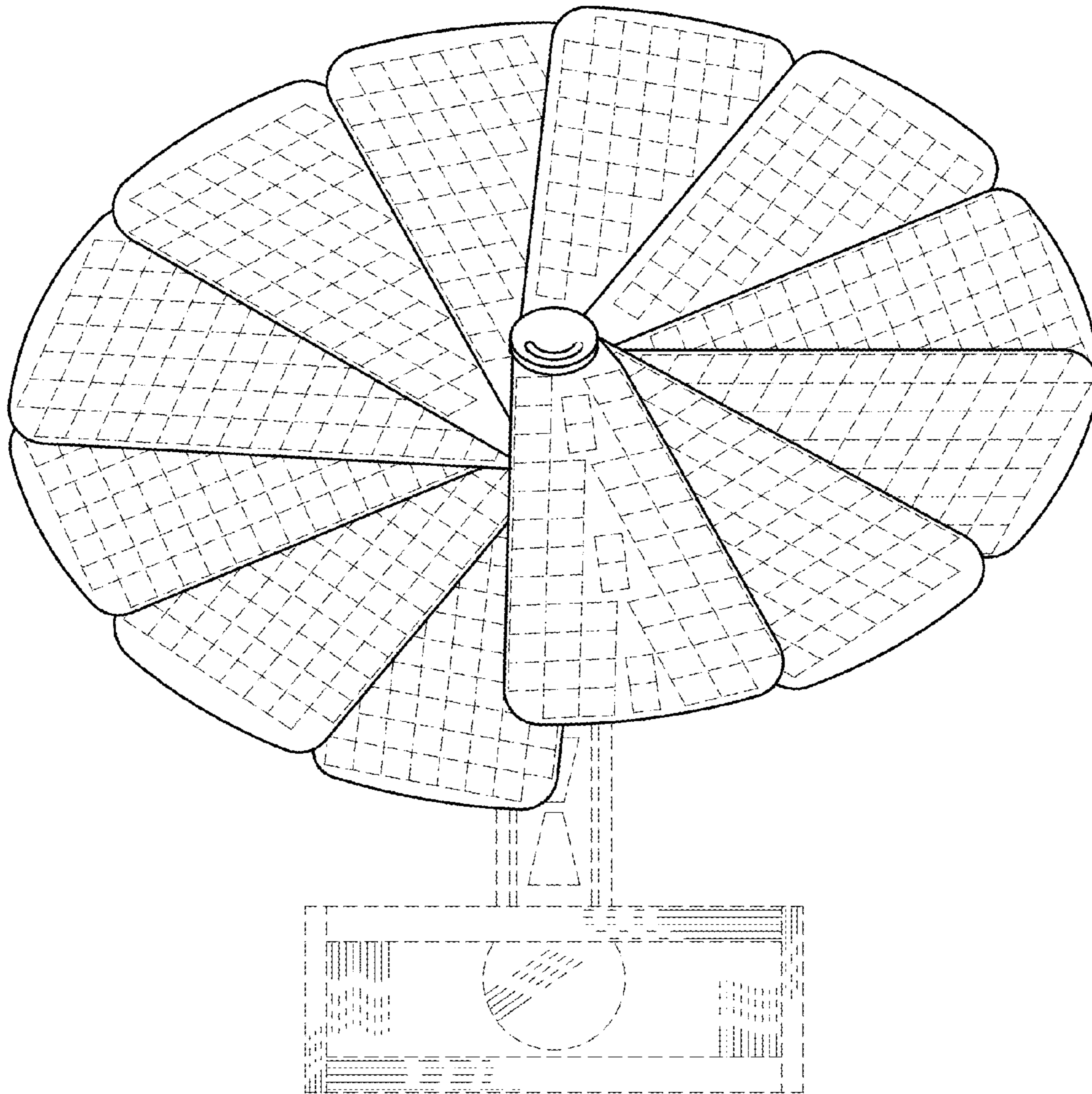


Fig. 2

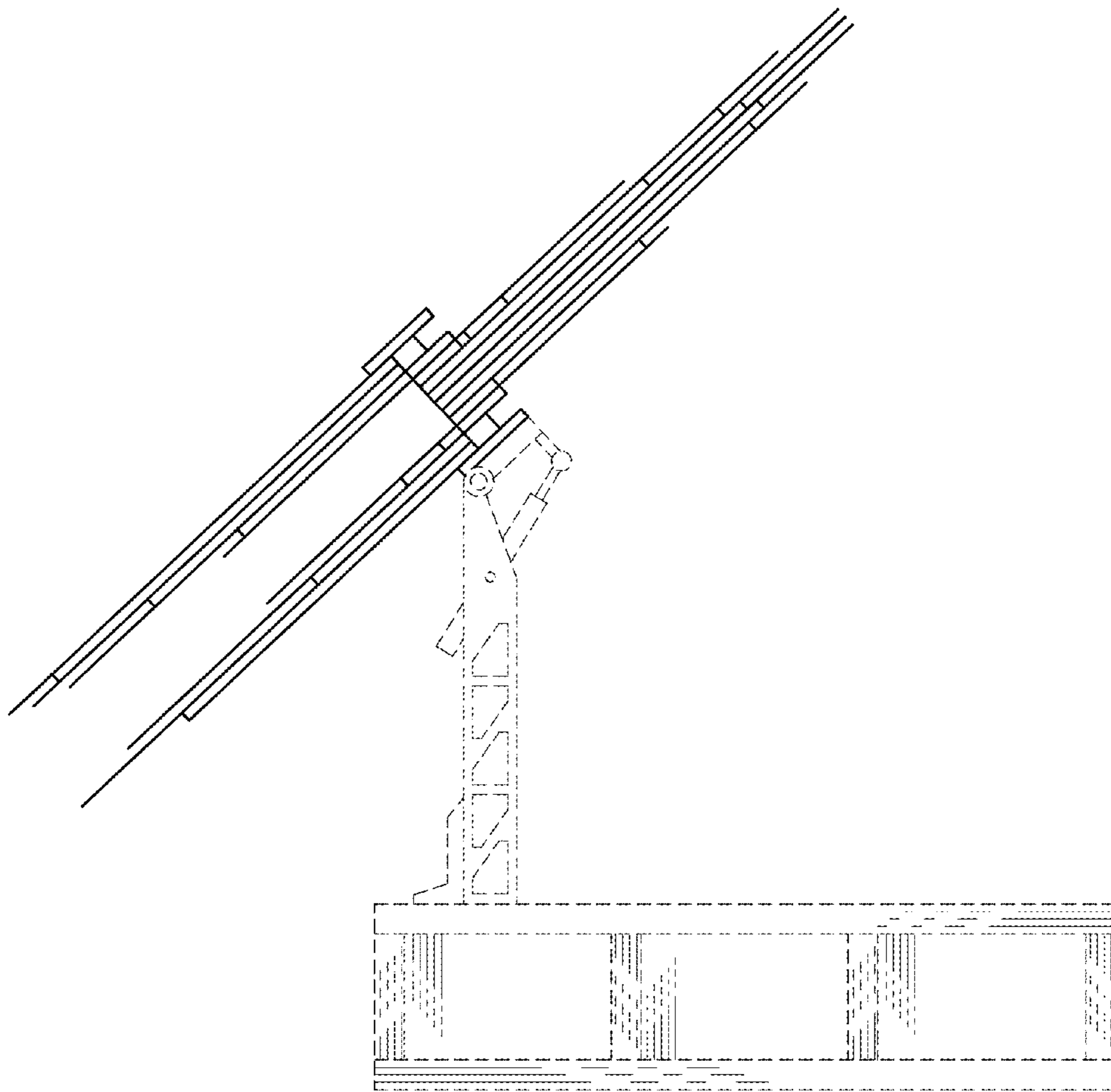


Fig. 3

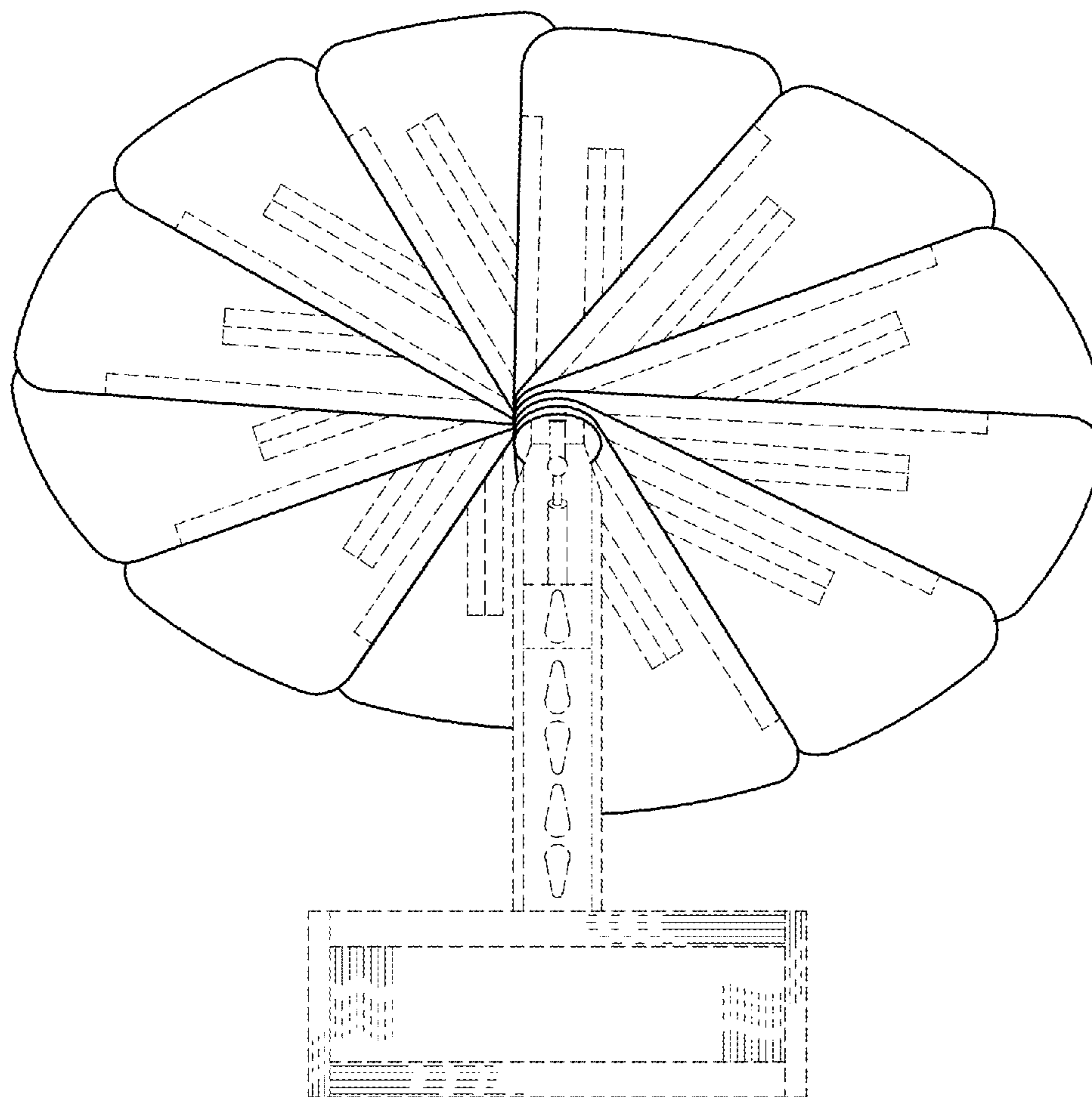


Fig. 4

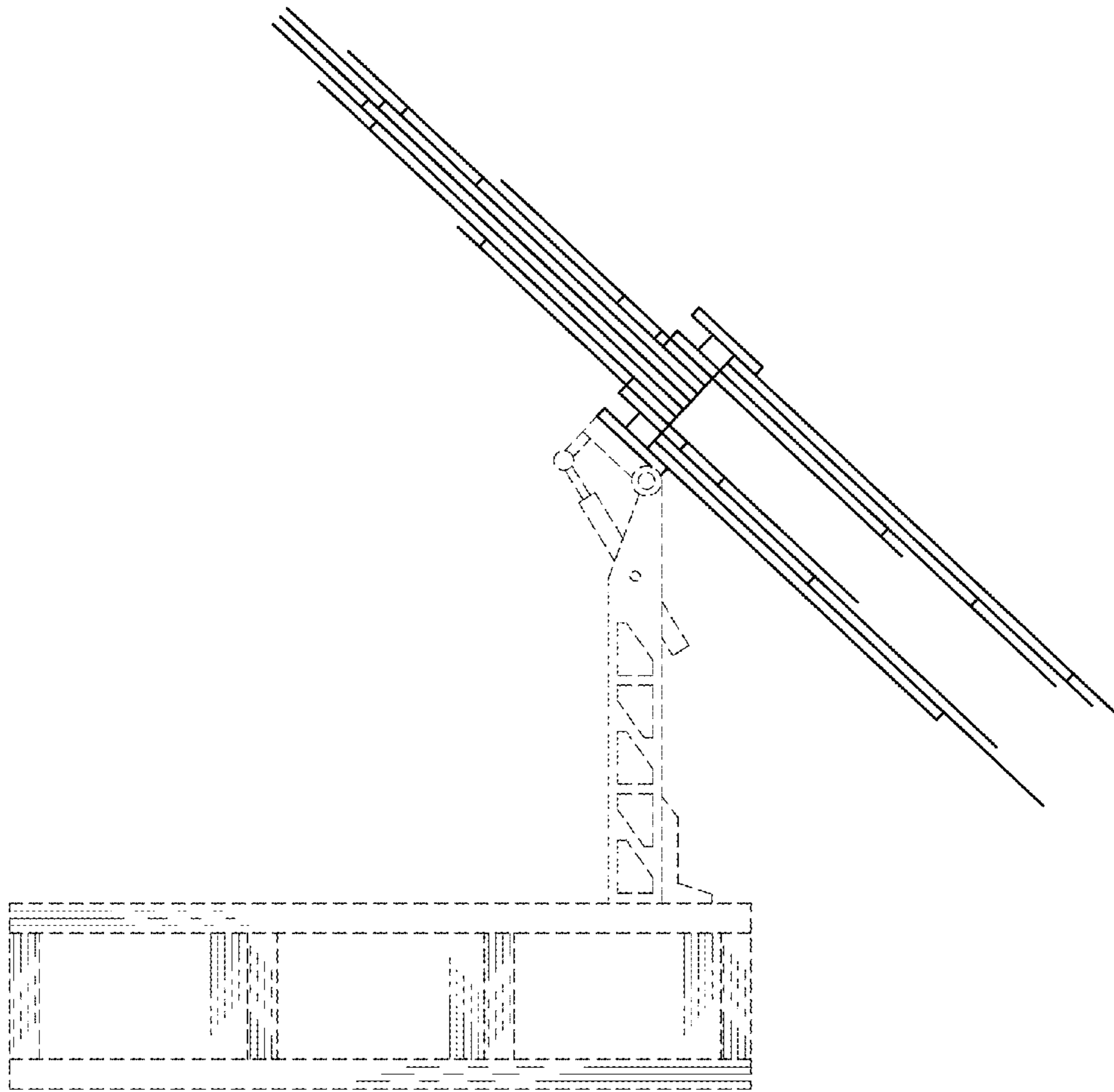


Fig. 5

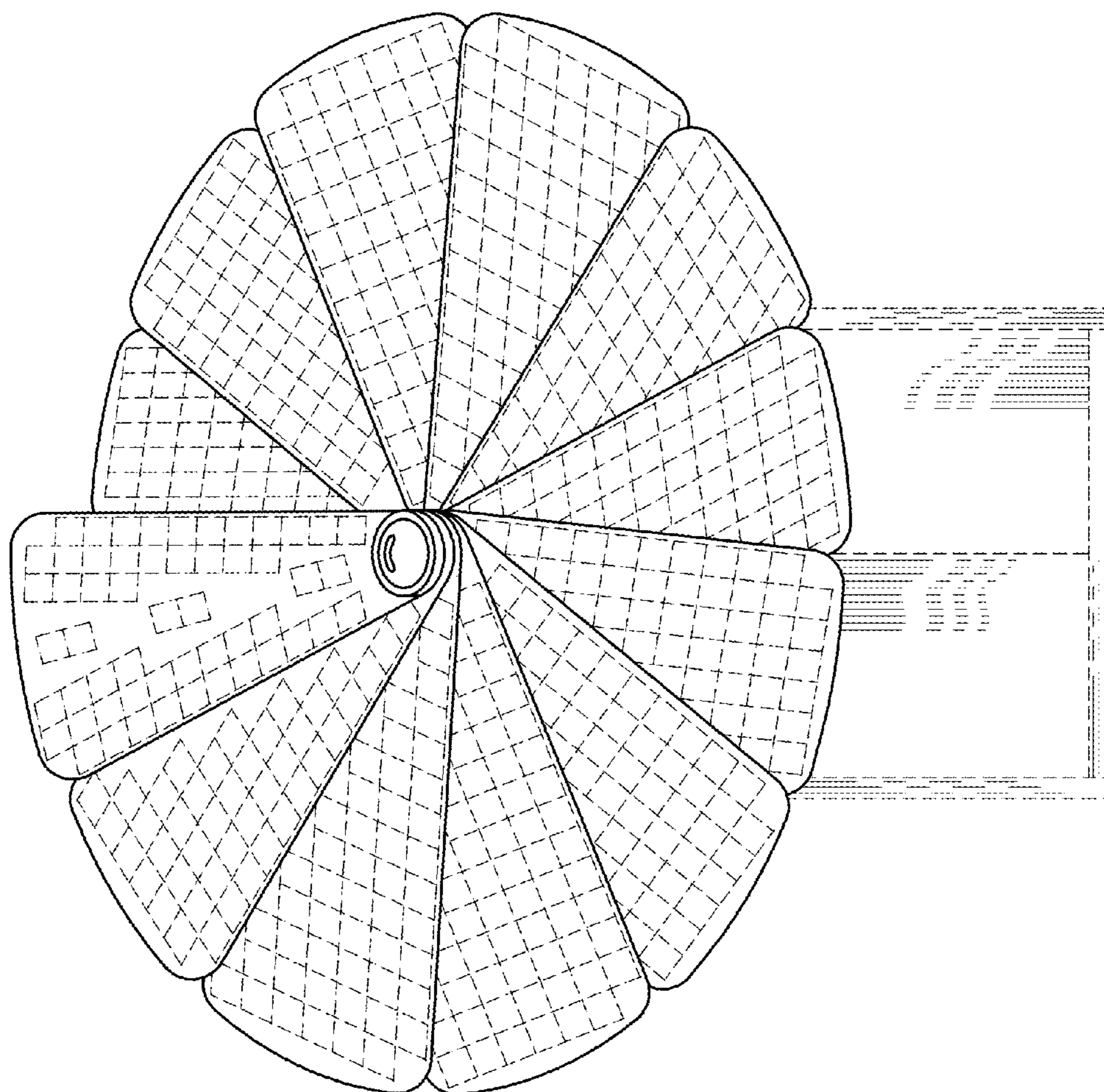


Fig. 6

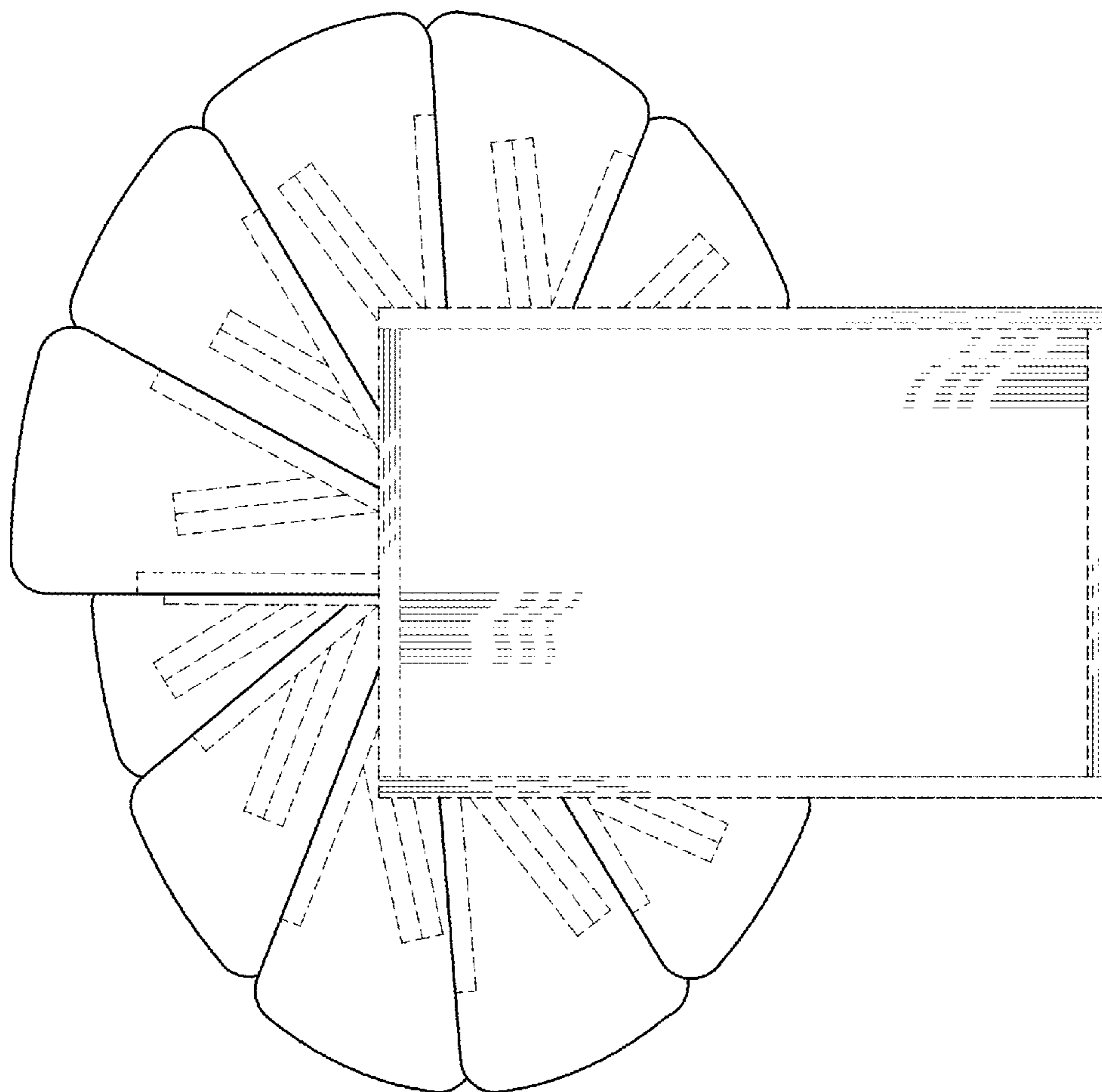


Fig. 7