



US00D680948S

(12) **United States Design Patent**
Lin

(10) **Patent No.:** **US D680,948 S**
(45) **Date of Patent:** **** Apr. 30, 2013**

(54) **SOLAR POWER BOX**

(76) Inventor: **Jianxiong Lin**, Shenzhen (CN)

(**) Term: **14 Years**

(21) Appl. No.: **29/424,376**

(22) Filed: **Jun. 12, 2012**

(51) **LOC (9) Cl.** **13-02**

(52) **U.S. Cl.**
USPC **D13/102**

(58) **Field of Classification Search** D13/102,
D13/101, 103, 107, 108, 199; 136/206, 243,
136/244, 245, 252; 320/101, 102, 114, 115,
320/120

See application file for complete search history.

(56) **References Cited**

U.S. PATENT DOCUMENTS

5,522,943	A *	6/1996	Spencer et al.	136/245
D391,921	S *	3/1998	Zimmer et al.	D13/102
D479,191	S *	9/2003	Peress et al.	D13/102
6,650,085	B2 *	11/2003	Lau et al.	320/101
D489,680	S *	5/2004	Stobart	D13/107

D493,768	S *	8/2004	Lam	D13/102
D493,769	S *	8/2004	Kessler et al.	D13/102
D528,501	S *	9/2006	Lam	D13/102
D534,861	S *	1/2007	Lam	D13/102
D536,299	S *	2/2007	Lam	D13/102

* cited by examiner

Primary Examiner — Derrick Holland

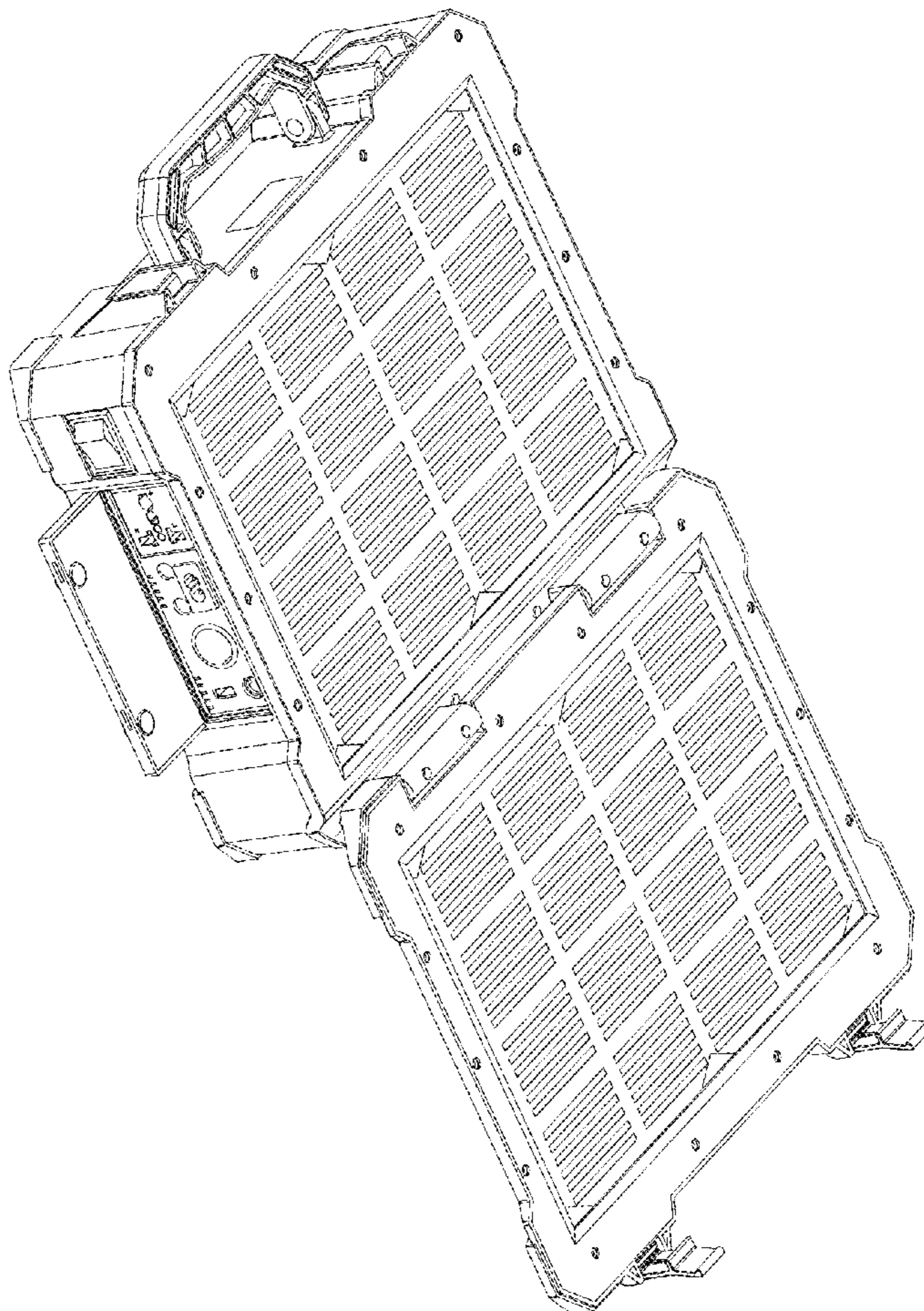
(57) **CLAIM**

The ornamental design for a solar power box, as shown and described.

DESCRIPTION

FIG. 1 is a front perspective view of a solar power box showing my new design;
FIG. 2 is a rear perspective view thereof;
FIG. 3 is a front elevation view thereof;
FIG. 4 is a rear elevation view thereof;
FIG. 5 is a left side elevation view thereof;
FIG. 6 is a right side elevation view thereof;
FIG. 7 is a top plan view thereof; and,
FIG. 8 is a bottom plan view thereof.

1 Claim, 7 Drawing Sheets



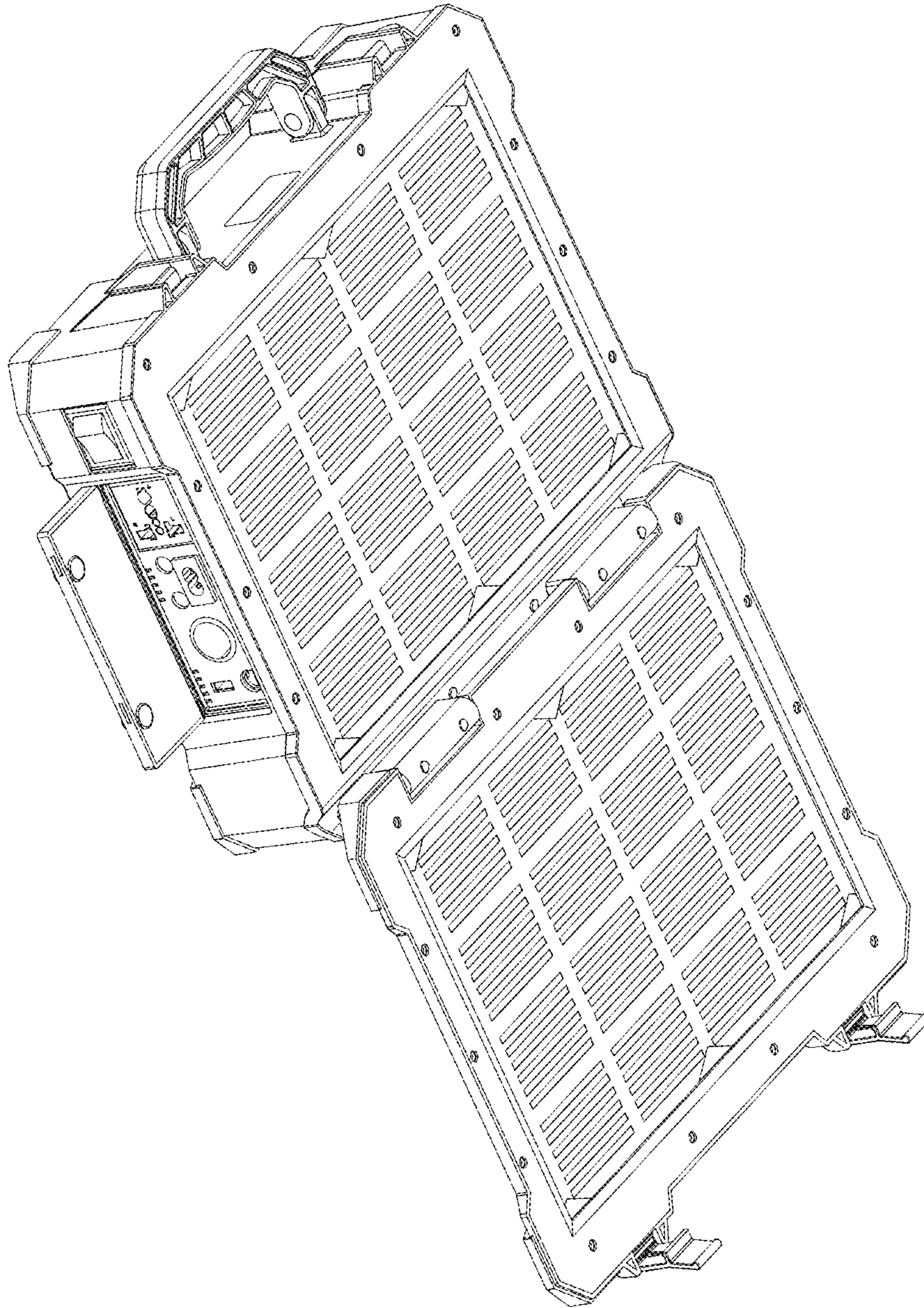


FIG. 1

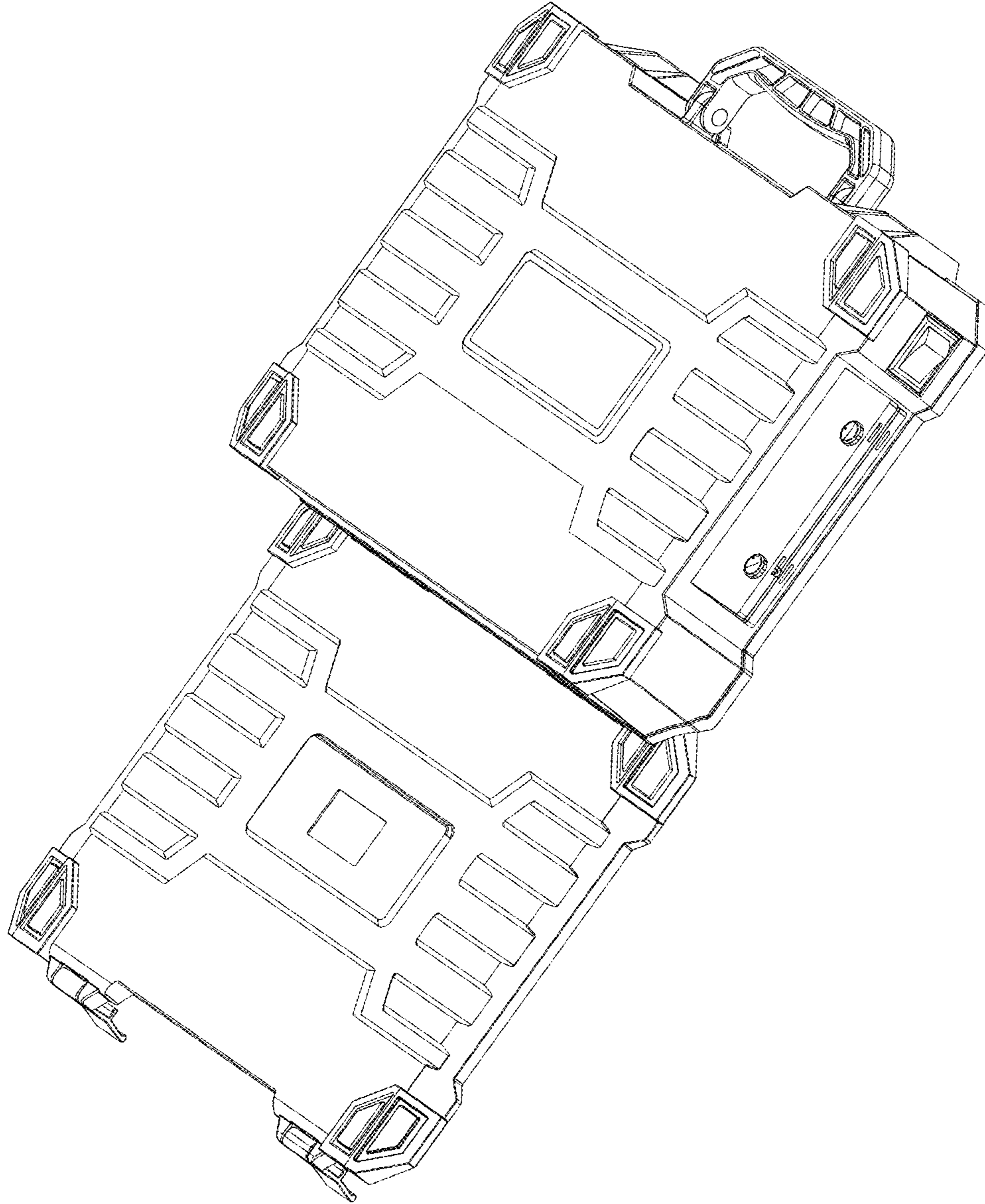


FIG. 2

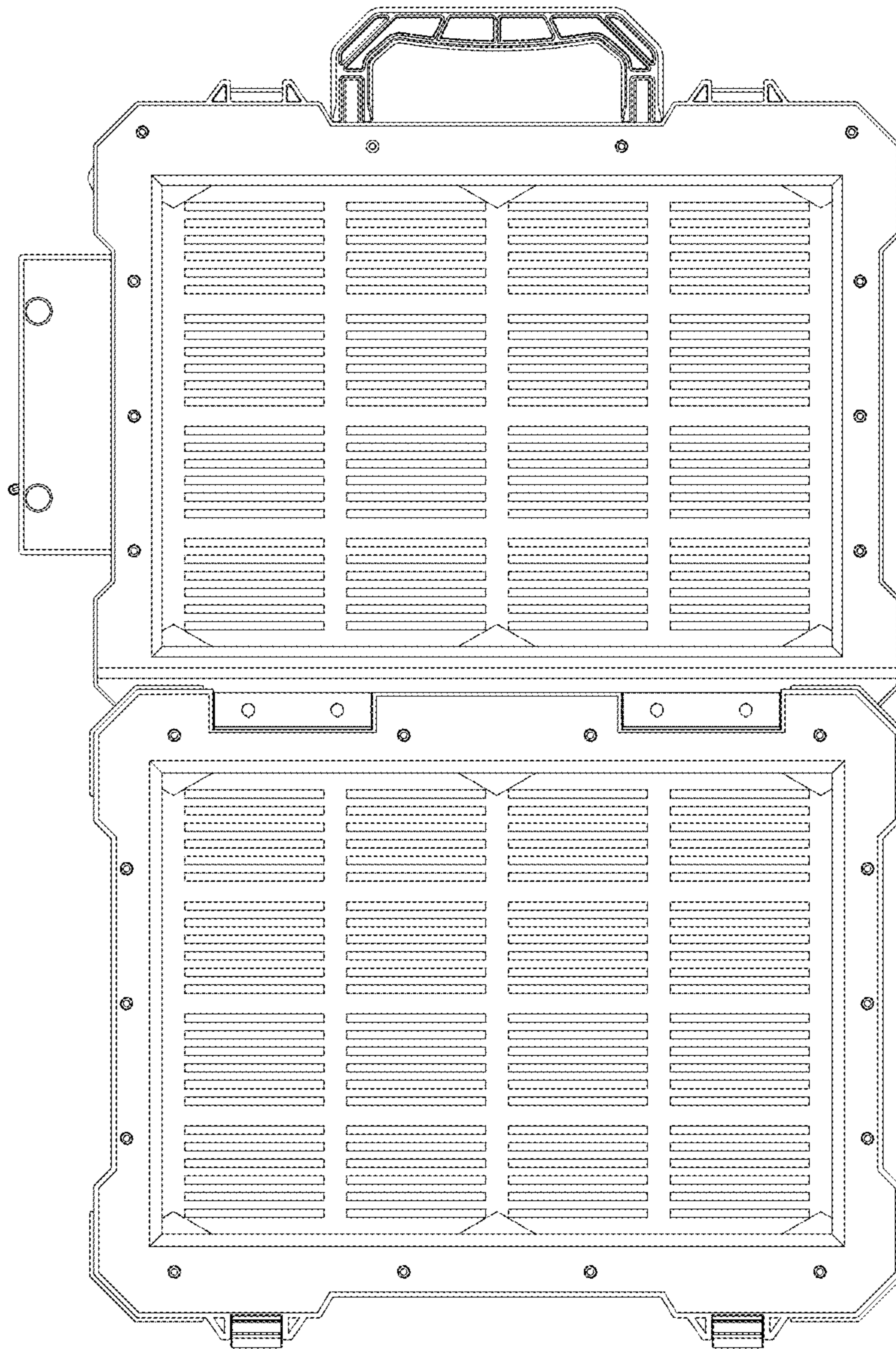


FIG. 3

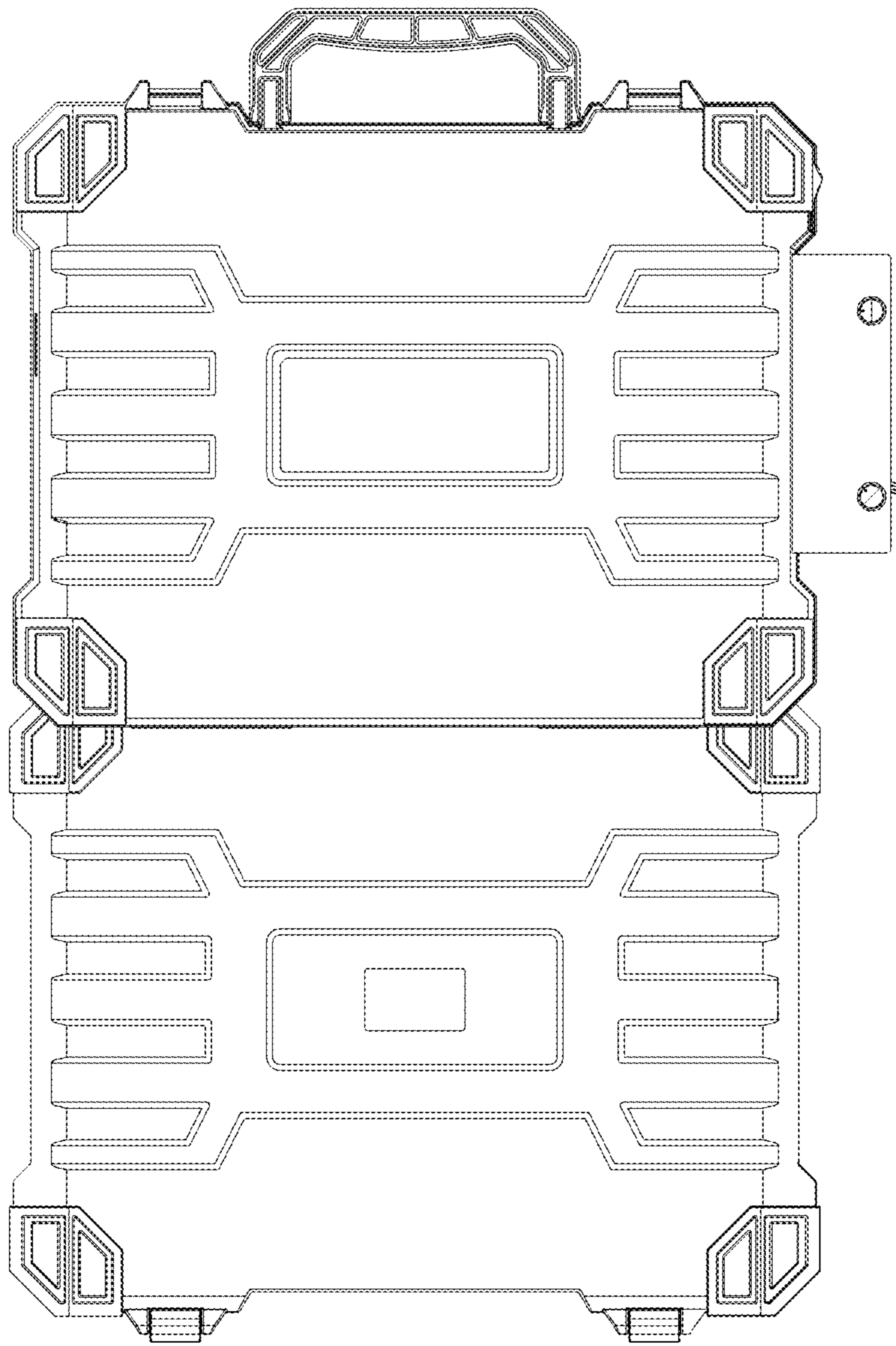


FIG. 4

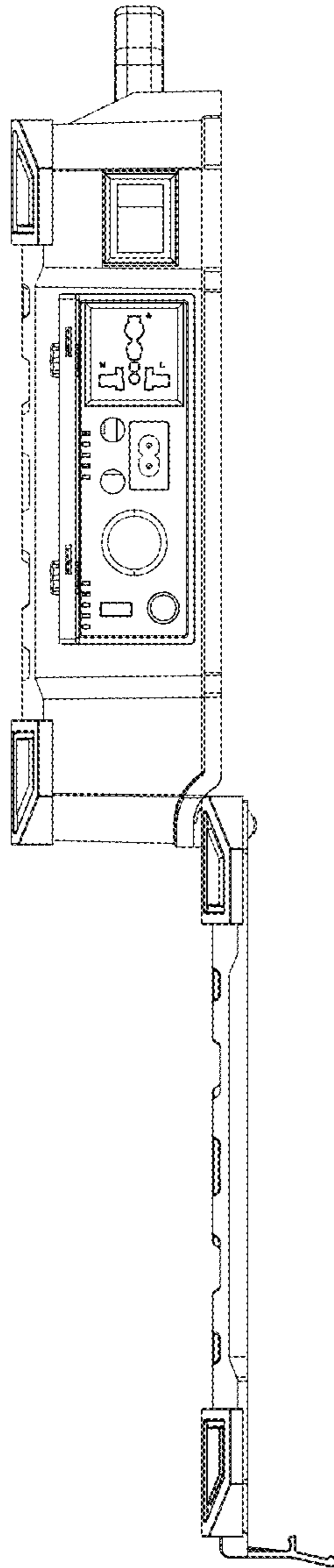


FIG. 5

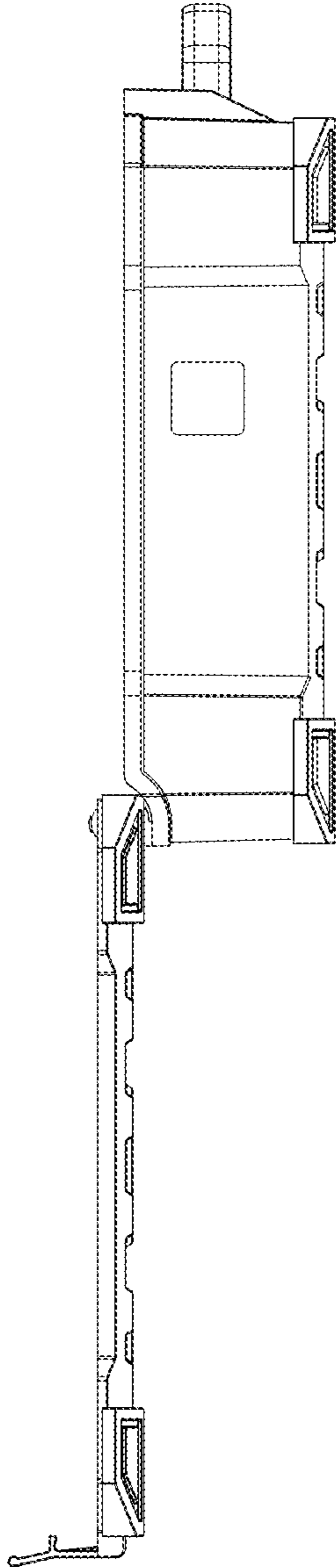


FIG. 6

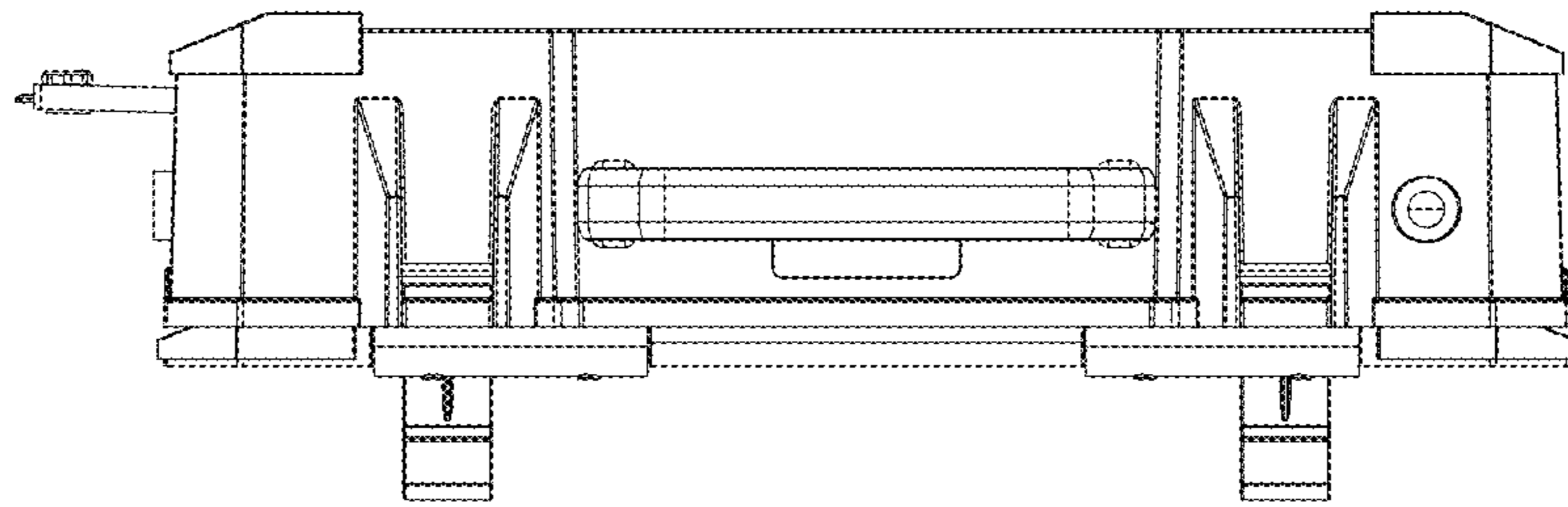


FIG. 7

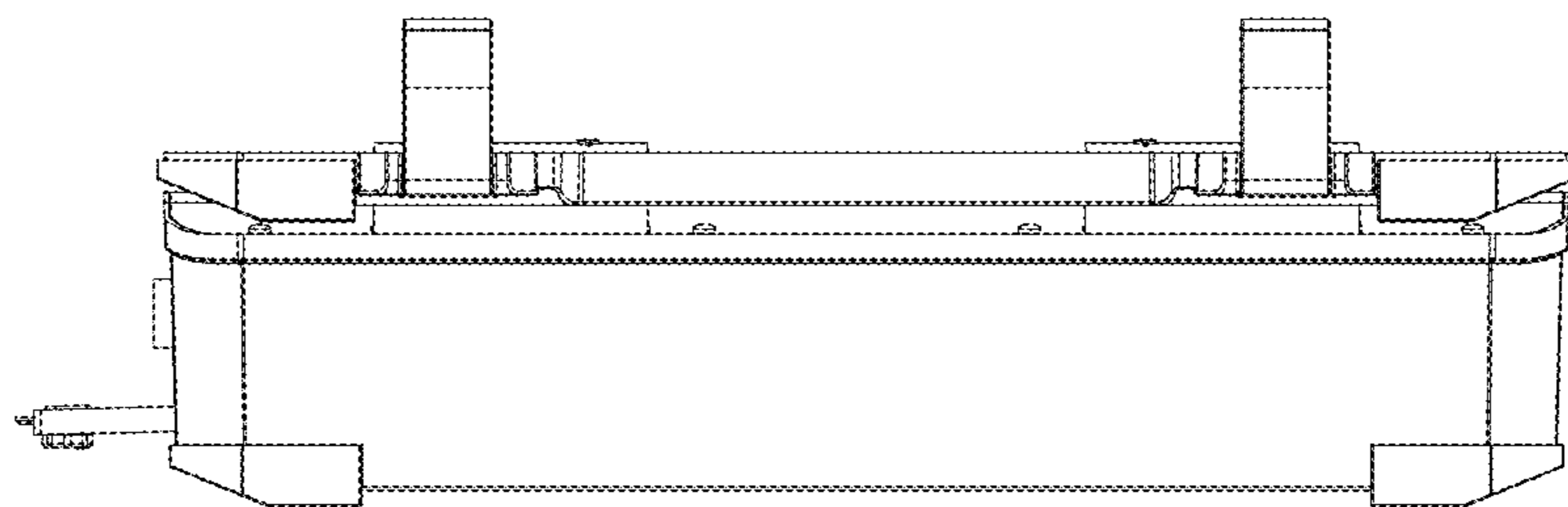


FIG. 8