



US00D680943S

(12) **United States Design Patent**  
**Avalos Sartorio et al.**

(10) **Patent No.:** **US D680,943 S**  
(45) **Date of Patent:** **\*\* Apr. 30, 2013**

(54) **CAR TRUNK ORGANIZER**

(76) Inventors: **Miguel Jose Avalos Sartorio**,  
Tlalnepantla (MX); **Carlos Jose Avalos Sartorio**, Tlalnepantla (MX)

(\*\*) Term: **14 Years**

(21) Appl. No.: **29/427,093**

(22) Filed: **Jul. 13, 2012**

(30) **Foreign Application Priority Data**

Mar. 6, 2012 (MX) ..... MX/f/2012/000786

(51) **LOC (9) Cl.** ..... **12-16**

(52) **U.S. Cl.**  
USPC ..... **D12/415**

(58) **Field of Classification Search** ..... D12/415-419,  
D12/191, 106, 96, 400, 195, 345, 99; 312/246;  
296/37.1-37.8, 70, 24.1, 24.2, 24.3, 137.1,  
296/97.1, 97.2, 97.4, 97.5, 97.6, 97.7, 97.8,  
296/180, 1; 224/311, 539, 281, 118.1, 275;  
D8/354; D14/451-452; 248/278.1, 274.1,  
248/284.1; D9/423; D3/319; 160/370.21,  
160/370.23, 370.22

See application file for complete search history.

(56) **References Cited**

**U.S. PATENT DOCUMENTS**

D368,889 S \* 4/1996 Mankey et al. .... D12/419  
D427,139 S \* 6/2000 Noval ..... D12/419  
D432,491 S \* 10/2000 Sacco et al. .... D12/419

D456,760 S \* 5/2002 Hoy ..... D12/419  
D474,733 S \* 5/2003 Webb ..... D12/419  
D484,843 S \* 1/2004 Wyszogrod ..... D12/419  
D500,982 S \* 1/2005 Smith ..... D12/419  
D611,401 S \* 3/2010 Saint-Jalmes et al. .... D12/425  
D630,159 S \* 1/2011 Saint-Jalmes et al. .... D12/425

**OTHER PUBLICATIONS**

U.S. Appl. No. 29/424,337, filed Jun. 11, 2012, Sartorio, et al.

\* cited by examiner

*Primary Examiner* — Katrina A Betton

(74) *Attorney, Agent, or Firm* — Oblon, Spivak,  
McClelland, Maier & Neustadt, L.L.P.

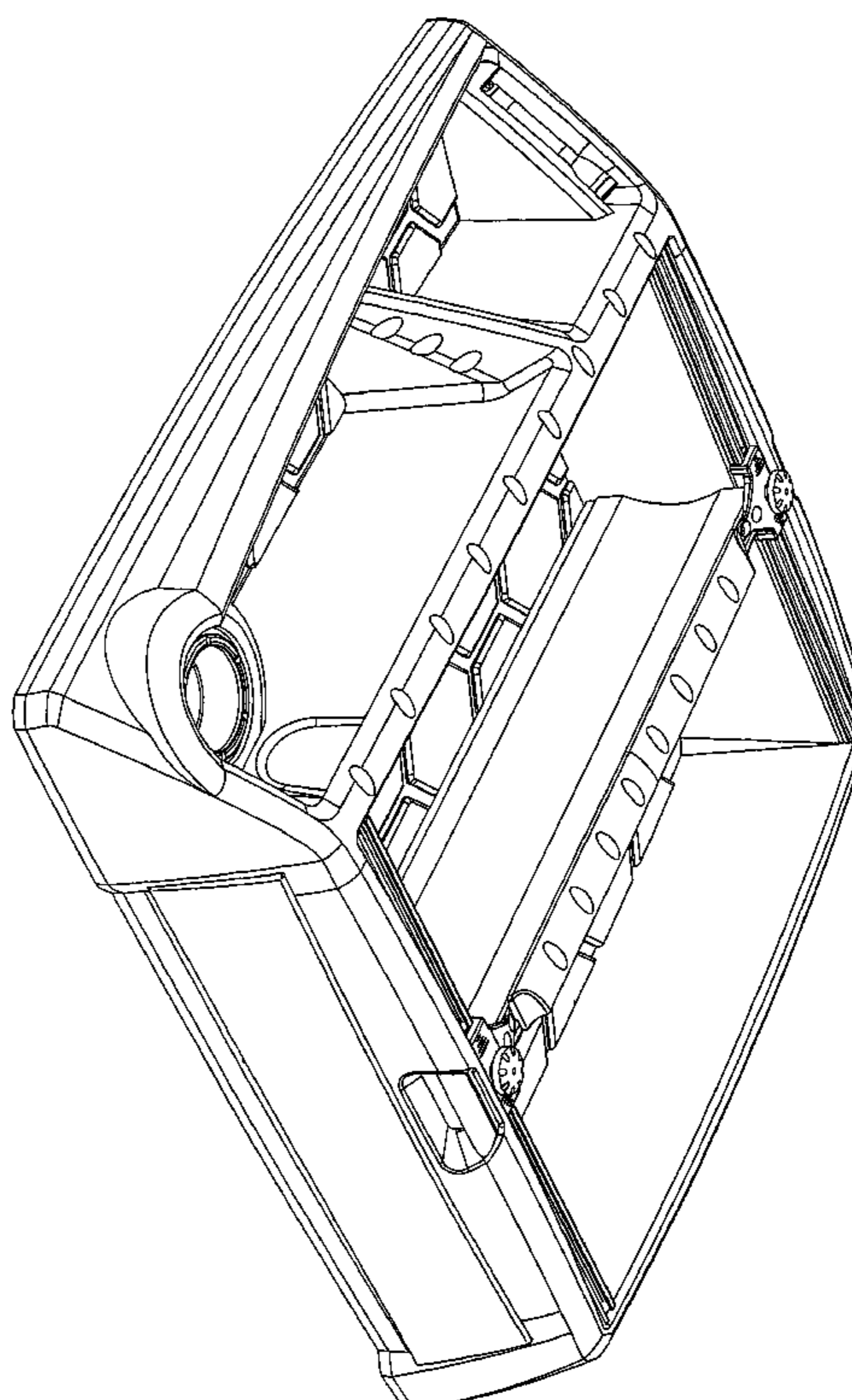
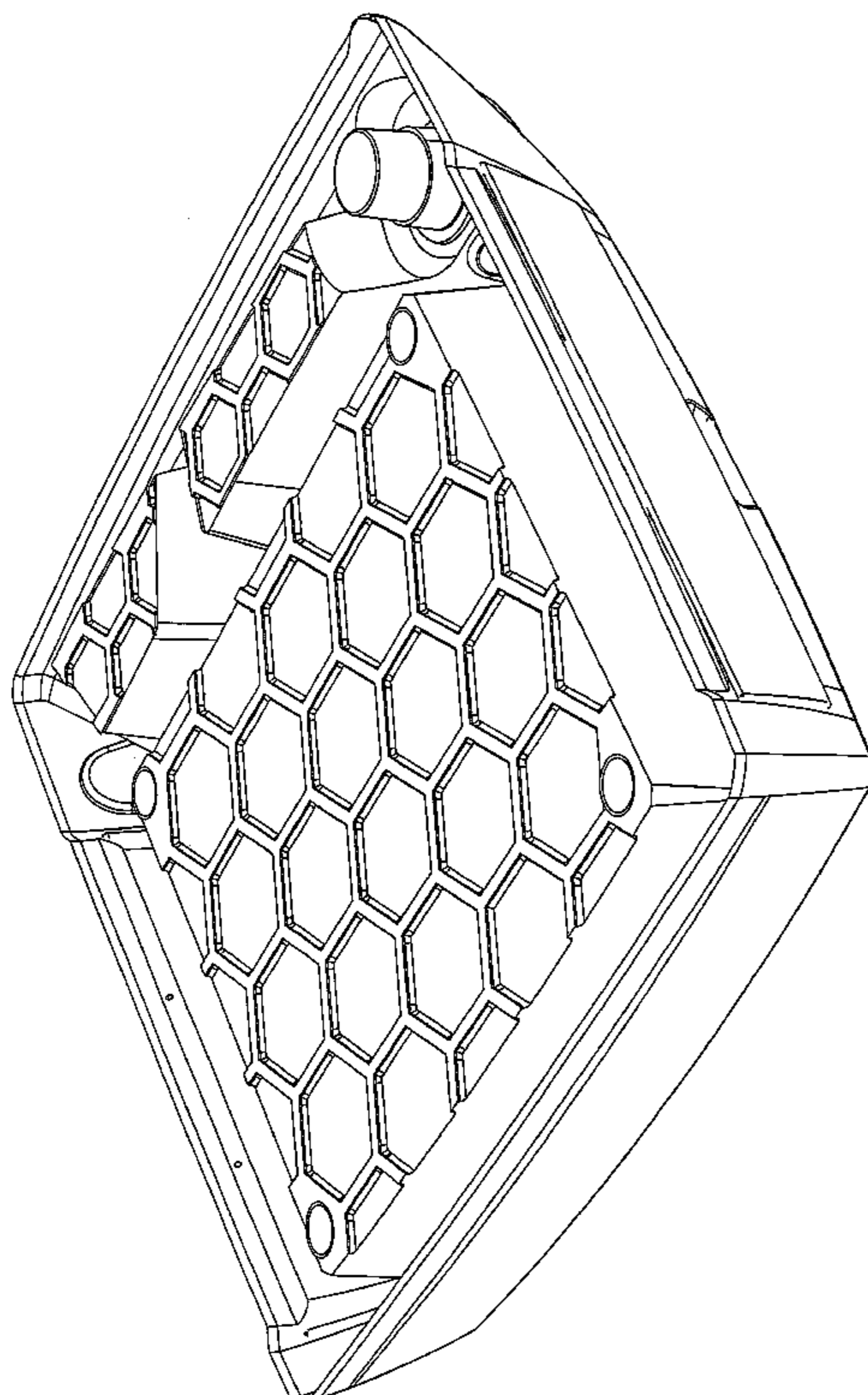
(57) **CLAIM**

The ornamental design for a car trunk organizer, as shown and described.

**DESCRIPTION**

FIG. 1 is a front, top, and right side perspective view of a car trunk organizer;  
FIG. 2 is a rear, top, and left side perspective view thereof;  
FIG. 3 is a rear, bottom, and left side perspective view thereof;  
FIG. 4 is a top plan view thereof;  
FIG. 5 is a bottom plan view thereof;  
FIG. 6 is a front elevational view thereof;  
FIG. 7 is a rear elevational view thereof;  
FIG. 8 is a left side elevational view thereof; and,  
FIG. 9 is a right side elevational view thereof.

**1 Claim, 9 Drawing Sheets**



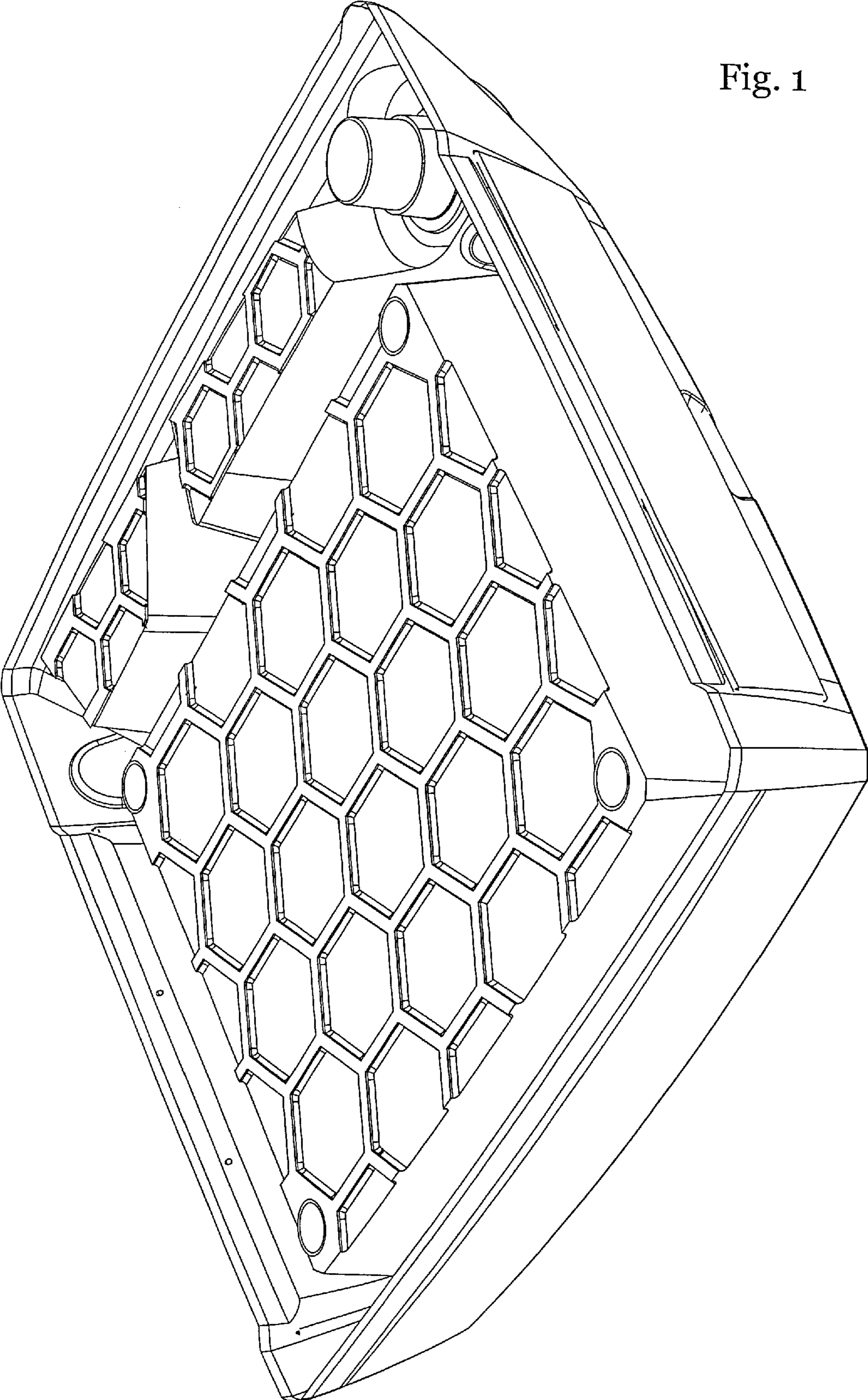


Fig. 1

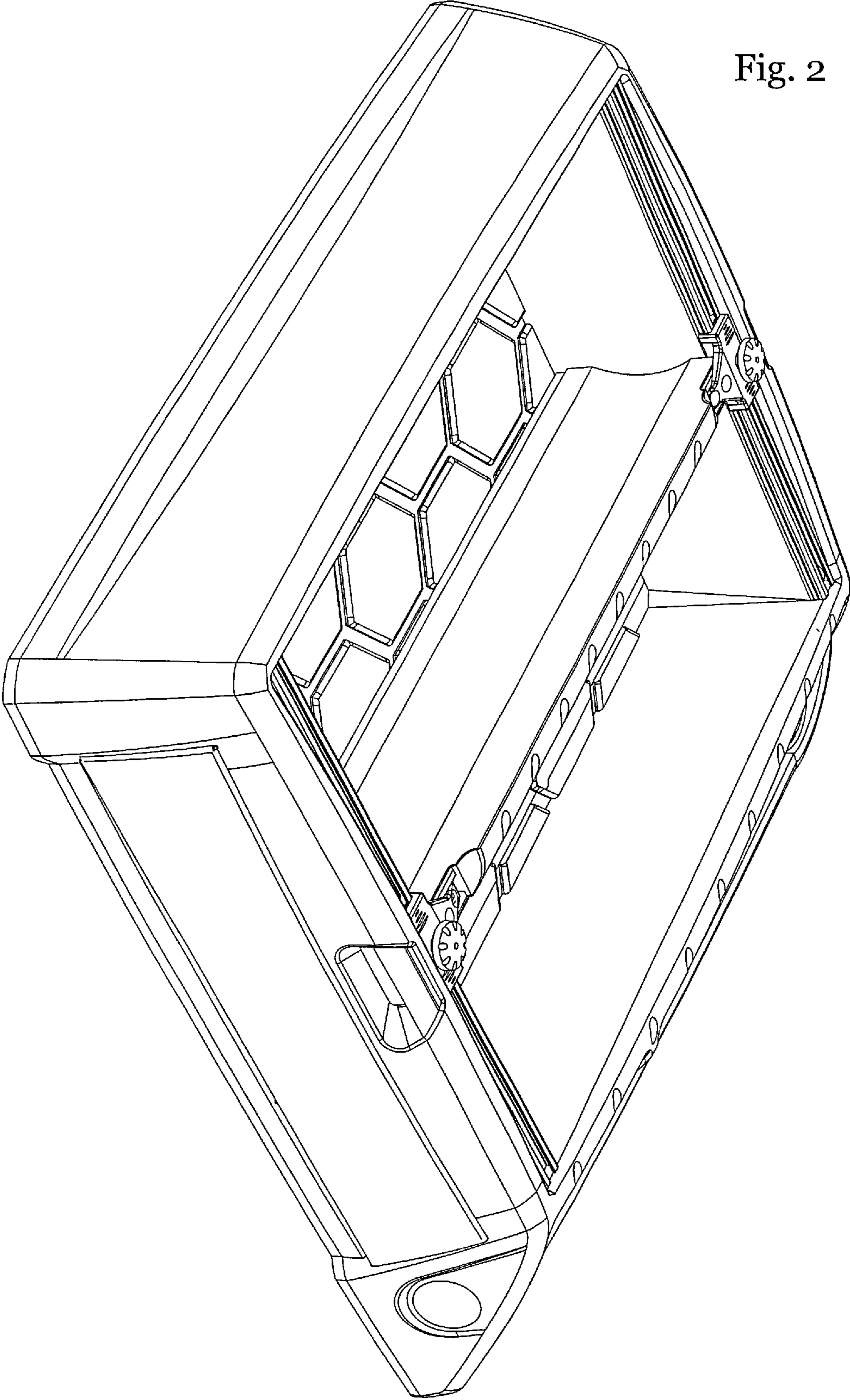


Fig. 2

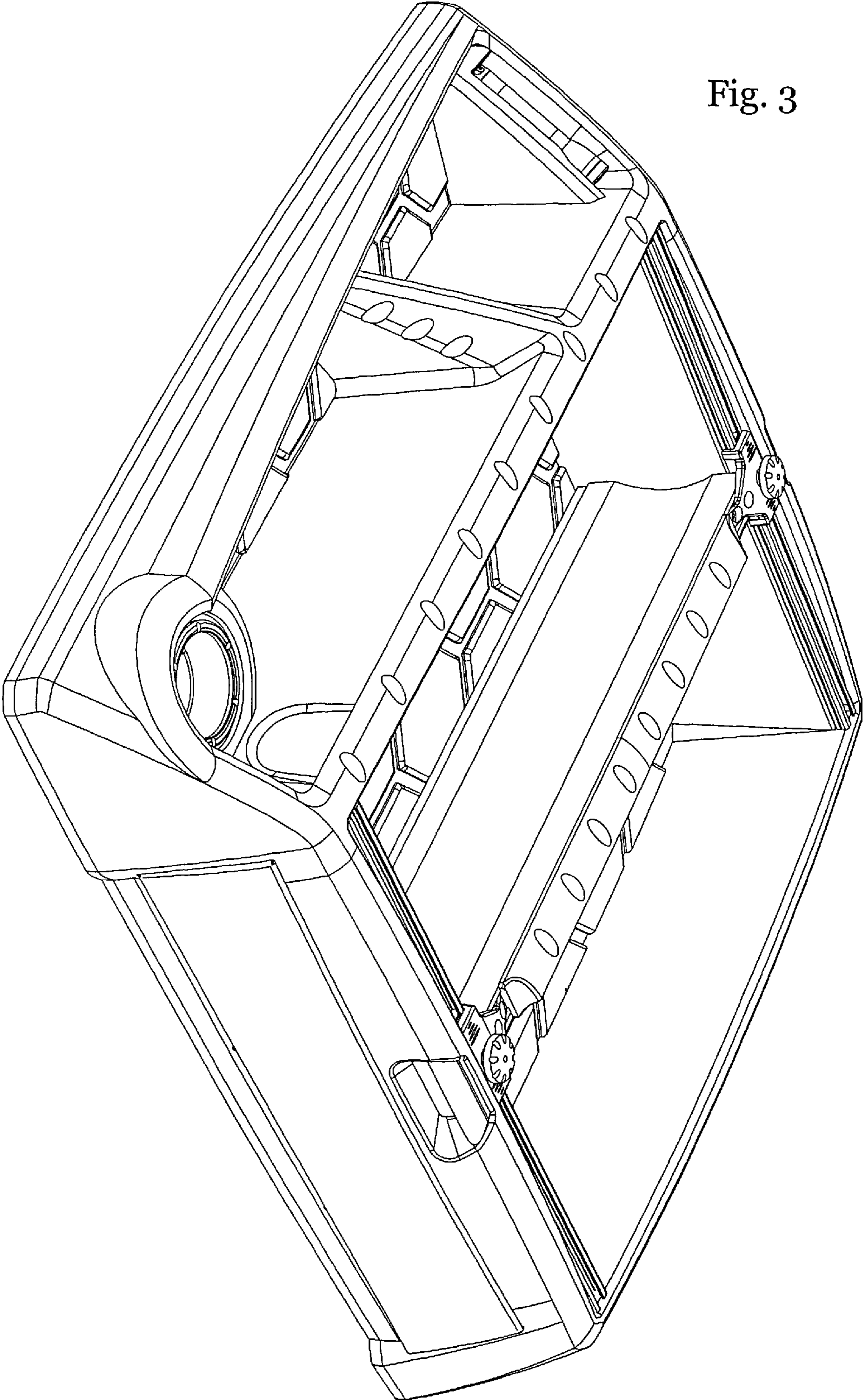


Fig. 3

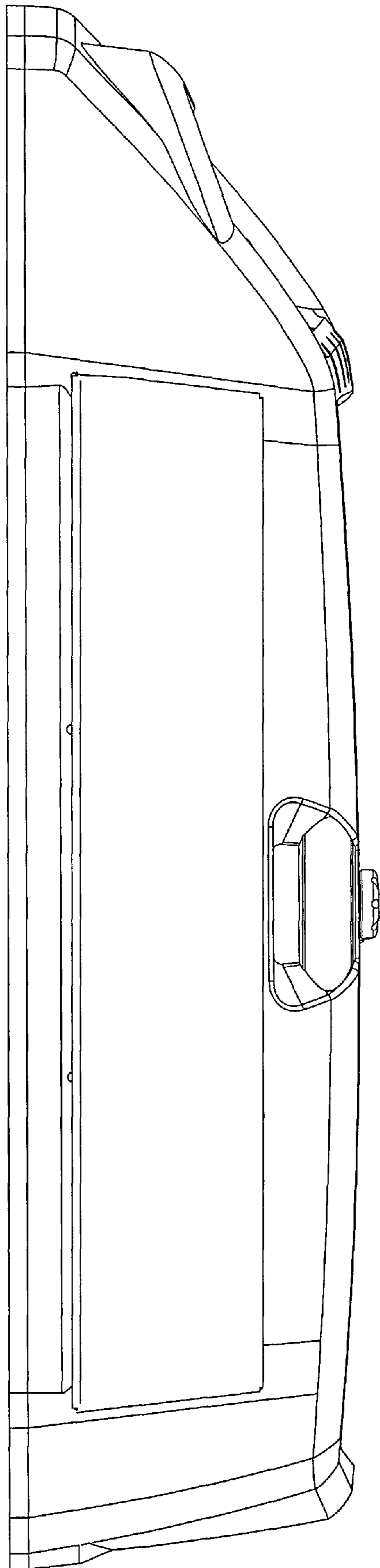


Fig. 4

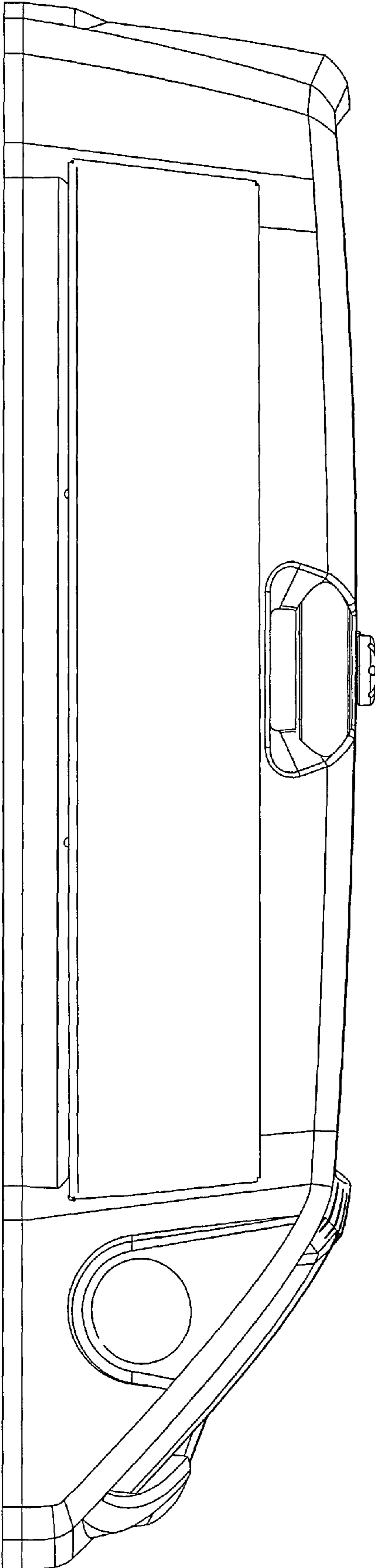


Fig. 5

Fig. 6

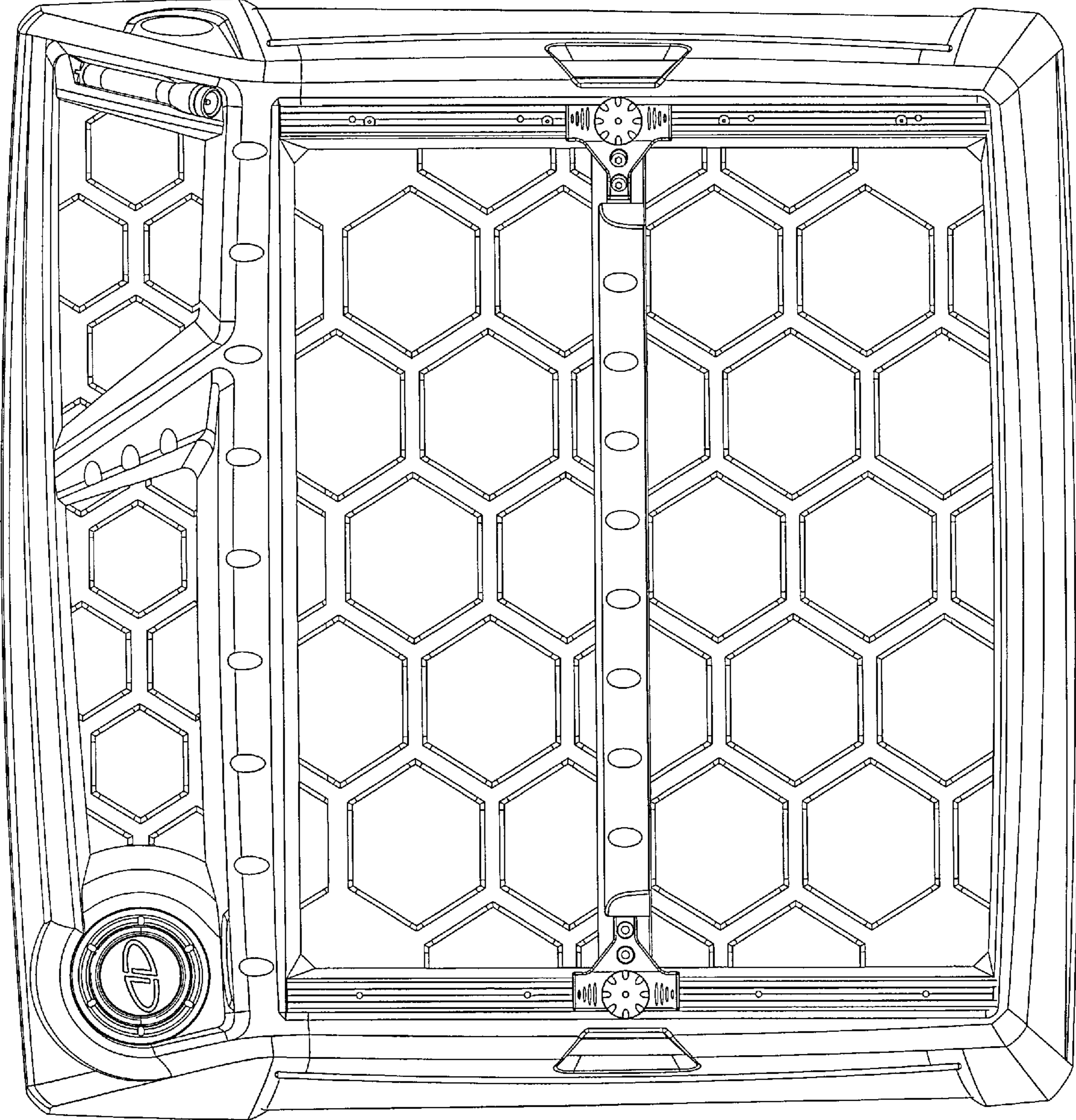
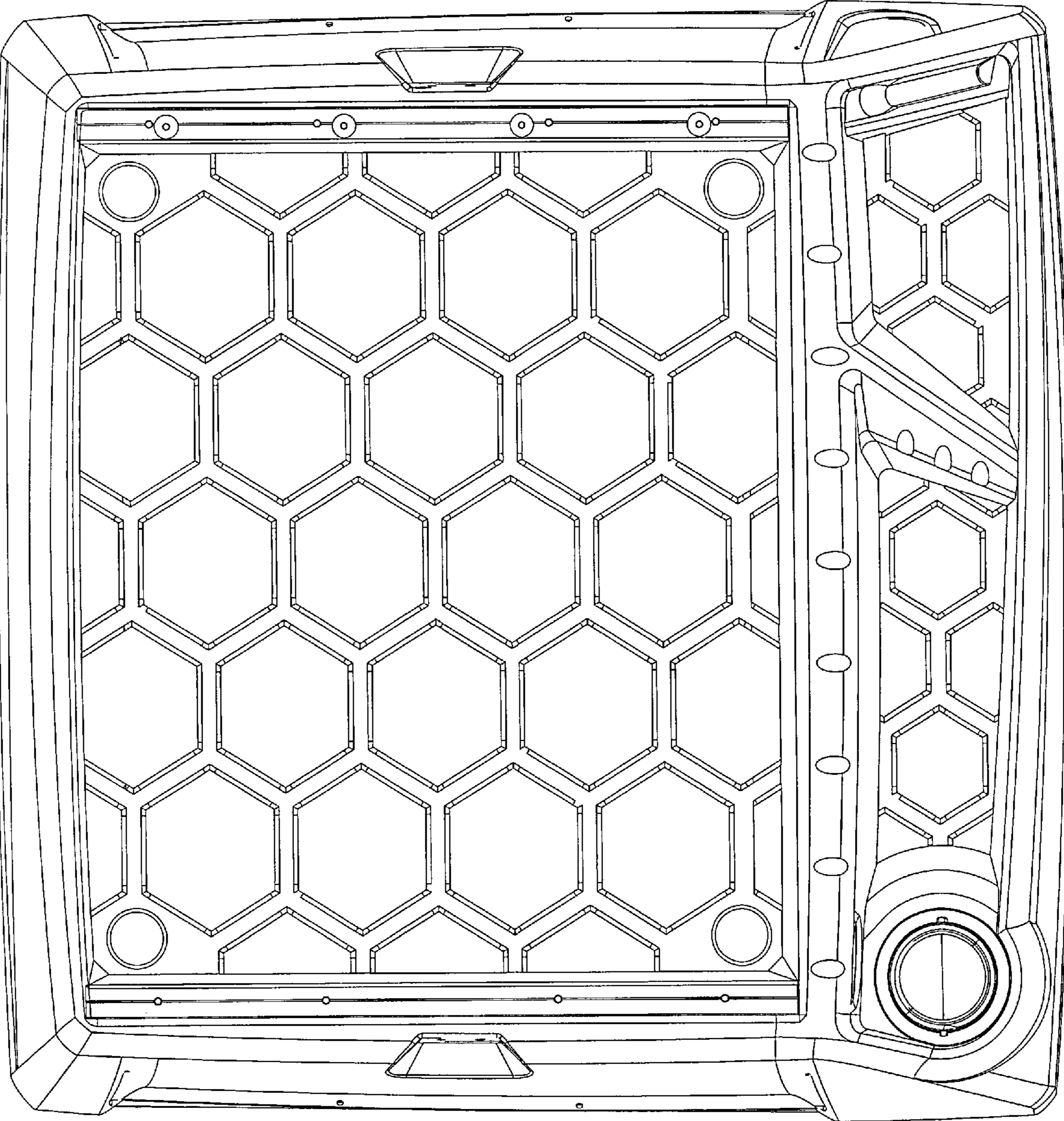


Fig. 7





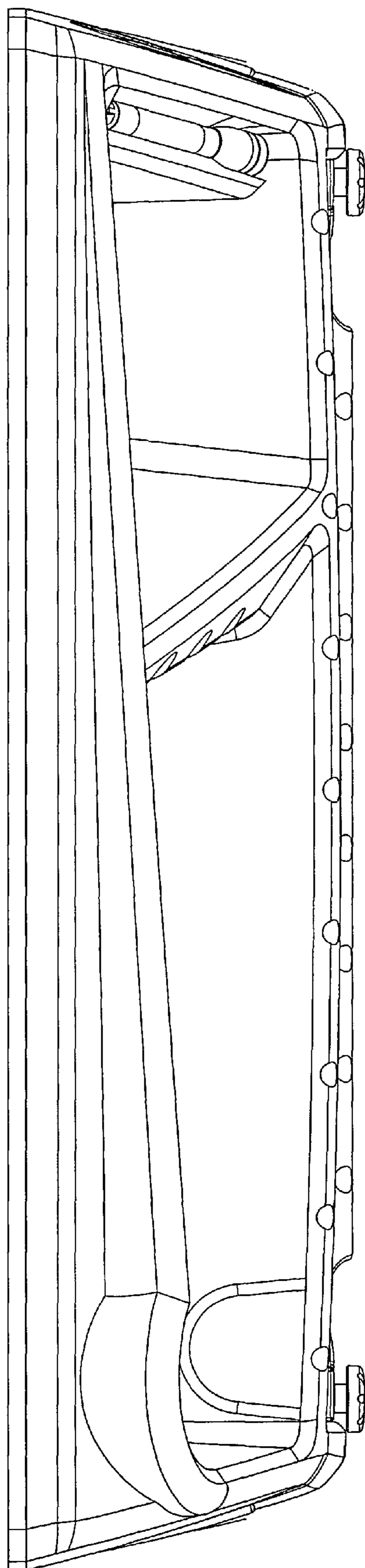


Fig. 8

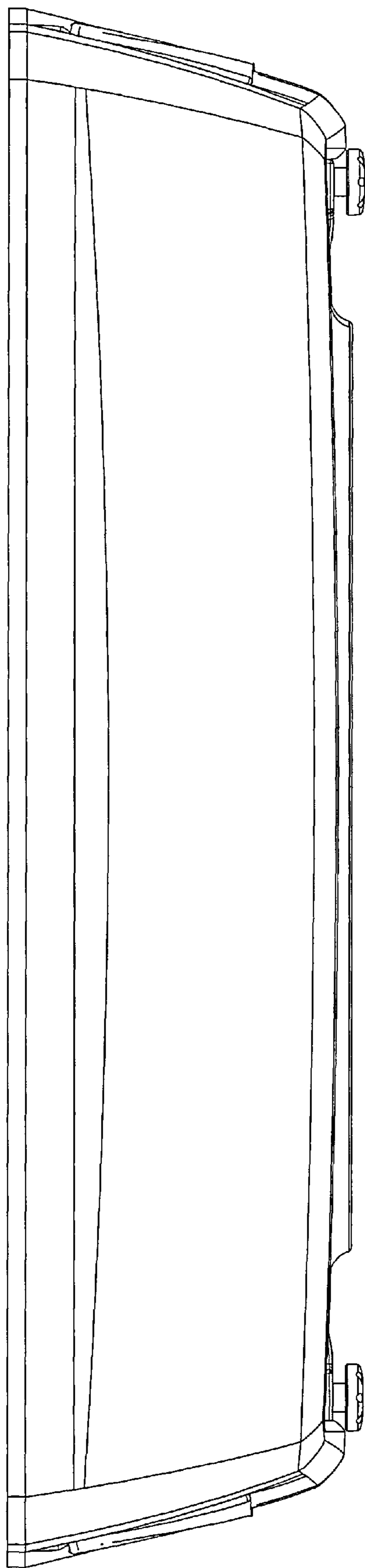


Fig. 9