



US00D680942S

(12) **United States Design Patent**  
**Champe**

(10) **Patent No.:** **US D680,942 S**

(45) **Date of Patent:** **\*\* Apr. 30, 2013**

(54) **TRANSPORTATION CONTAINER FOR EXPEDITED DELIVERIES**

D664,918 S \* 8/2012 Brandys et al. .... D13/107

\* cited by examiner

(76) Inventor: **William G Champe**, Bloomfield, MI (US)

*Primary Examiner* — Katrina A Betton

(74) *Attorney, Agent, or Firm* — Cargill & Associates, PLLC; Lynn E. Cargill

(\*\*) Term: **14 Years**

(57) **CLAIM**

The ornamental design for a transportation container for expedited deliveries, as shown.

(21) Appl. No.: **29/429,651**

**DESCRIPTION**

(22) Filed: **Aug. 15, 2012**

(51) **LOC (9) Cl.** ..... **12-16**

(52) **U.S. Cl.**  
USPC ..... **D12/405**

(58) **Field of Classification Search** ..... D12/401–405;  
160/370.21, 370.22, 370.23; 280/770; 150/158,  
150/165–167; 296/136.01, 95.5, 84.1, 77.1;  
224/328; 135/88.01, 88.1, 91, 93, 95  
See application file for complete search history.

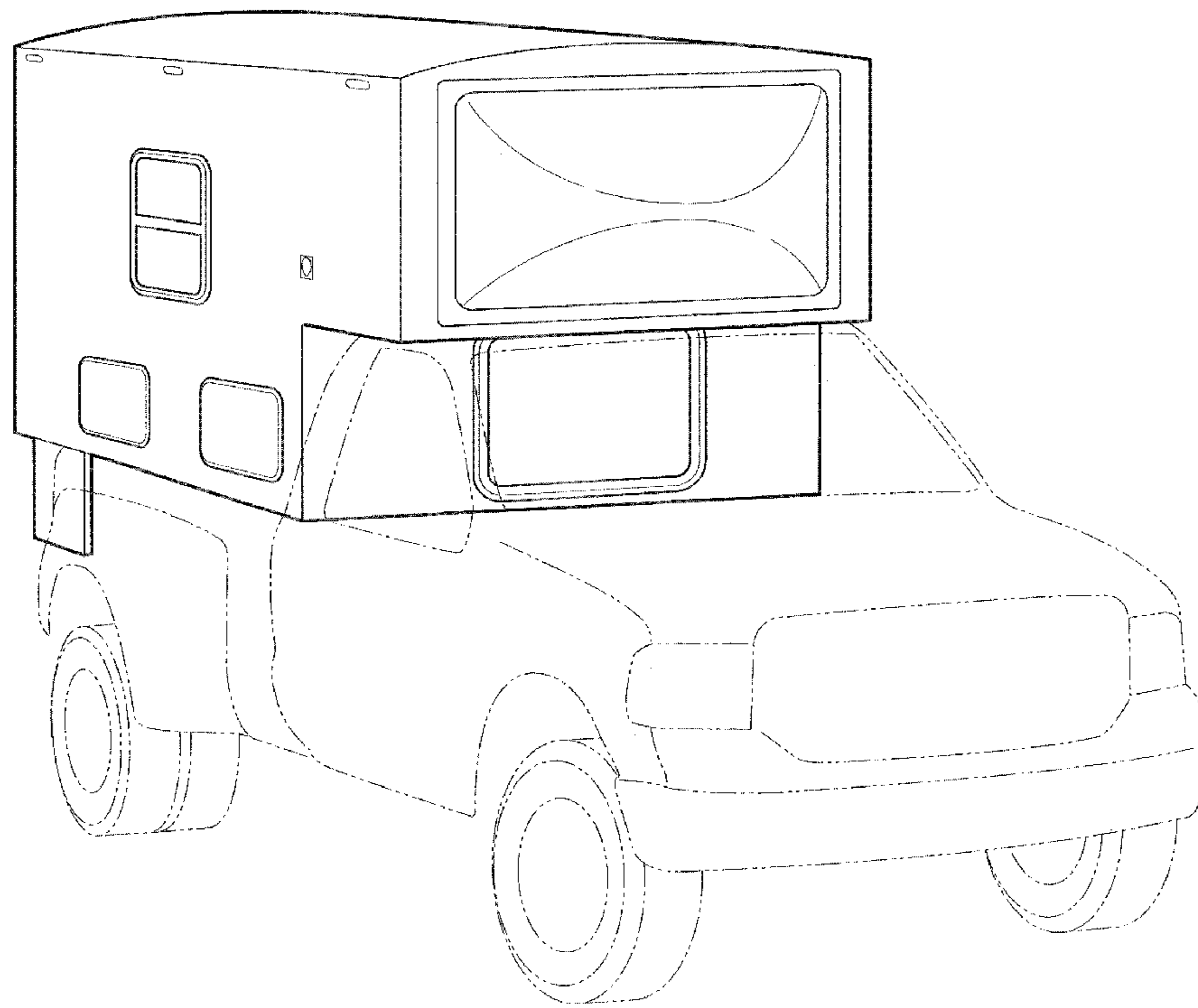
FIG. 1 is a front facing perspective view of a transportation container showing my new design of my present invention; FIG. 2 is a right side elevational view of the transportation container thereof; FIG. 3 is a rear facing elevational view of my design for my transportation container; FIG. 4 is a front facing elevational view of my new design for a transportation container showing the vehicle in phantom that is carrying the transportation container of the present invention; FIG. 5 is a top plan view of my transportation container thereof, also with the carrying vehicle shown in phantom; FIG. 6 is a bottom plan view of my transportation container thereof, also with the carrying vehicle shown in phantom; and, FIG. 7 is a left side elevational view of my transportation container thereof.  
In the drawings, the broken lines depict a vehicle that forms no part of the claim.

(56) **References Cited**

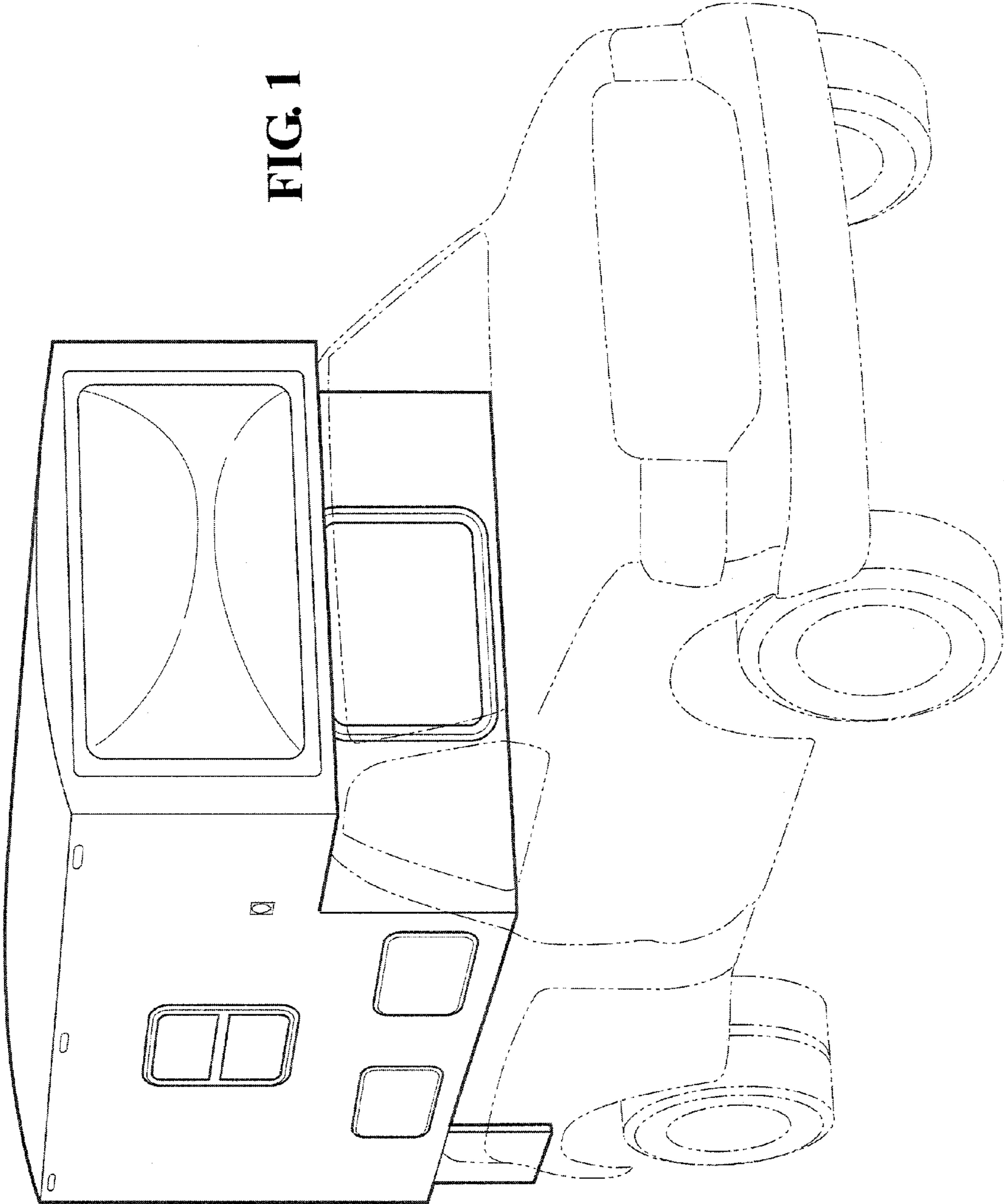
**U.S. PATENT DOCUMENTS**

- D270,245 S \* 8/1983 Collins et al. .... D12/96
- D346,571 S \* 5/1994 Lewellen et al. .... D12/98
- D351,823 S \* 10/1994 Lewellen et al. .... D12/405
- D364,591 S \* 11/1995 Lewellen et al. .... D12/96
- D381,953 S \* 8/1997 Collins et al. .... D12/401
- D414,135 S \* 9/1999 Gerisch et al. .... D12/96
- D421,956 S \* 3/2000 Aubut ..... D12/401
- D445,068 S \* 7/2001 Martin et al. .... D12/96
- D602,417 S \* 10/2009 Connors ..... D12/401
- D602,418 S \* 10/2009 Connors ..... D12/401

**1 Claim, 6 Drawing Sheets**



**FIG. 1**



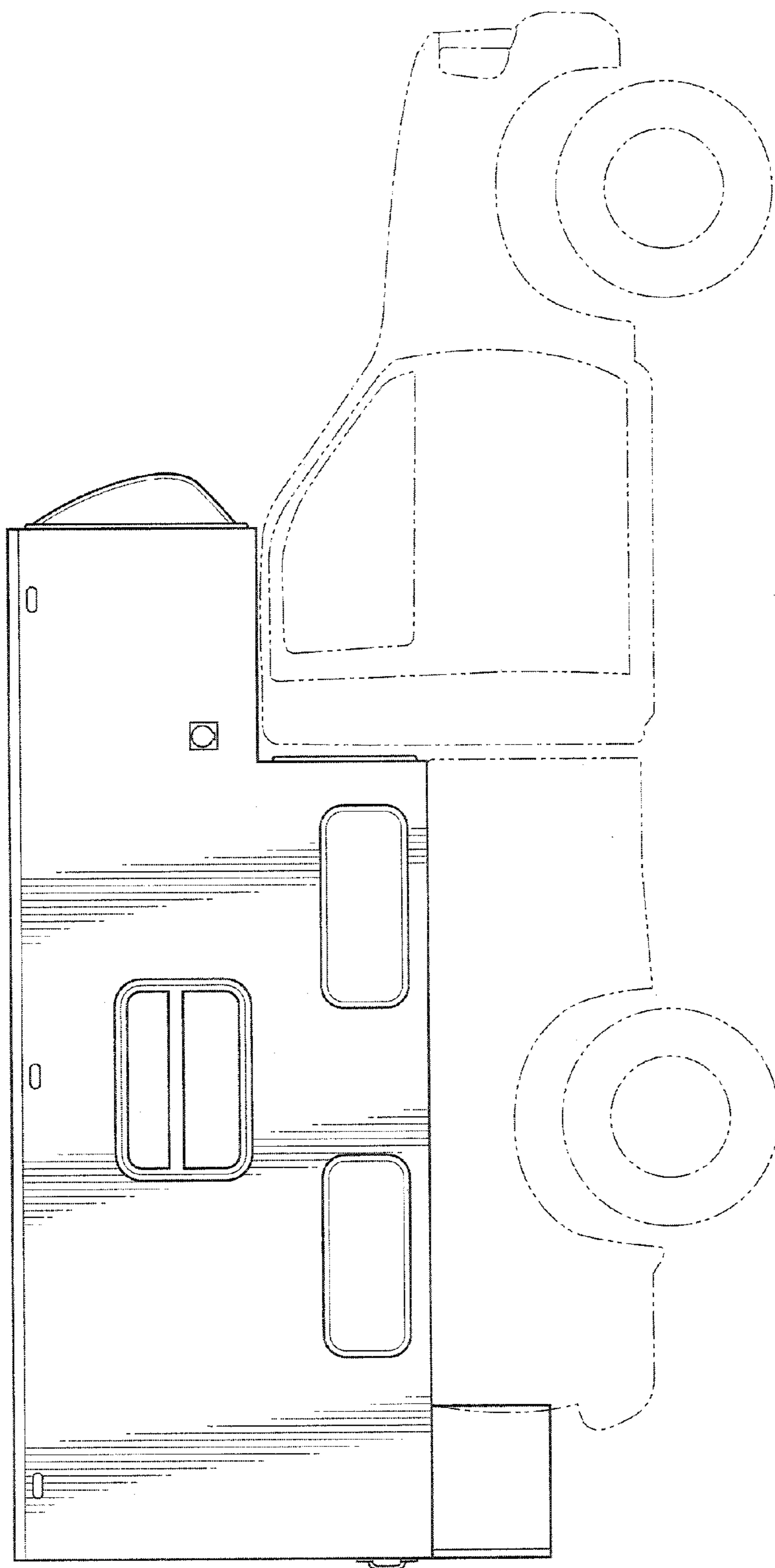


FIG. 2

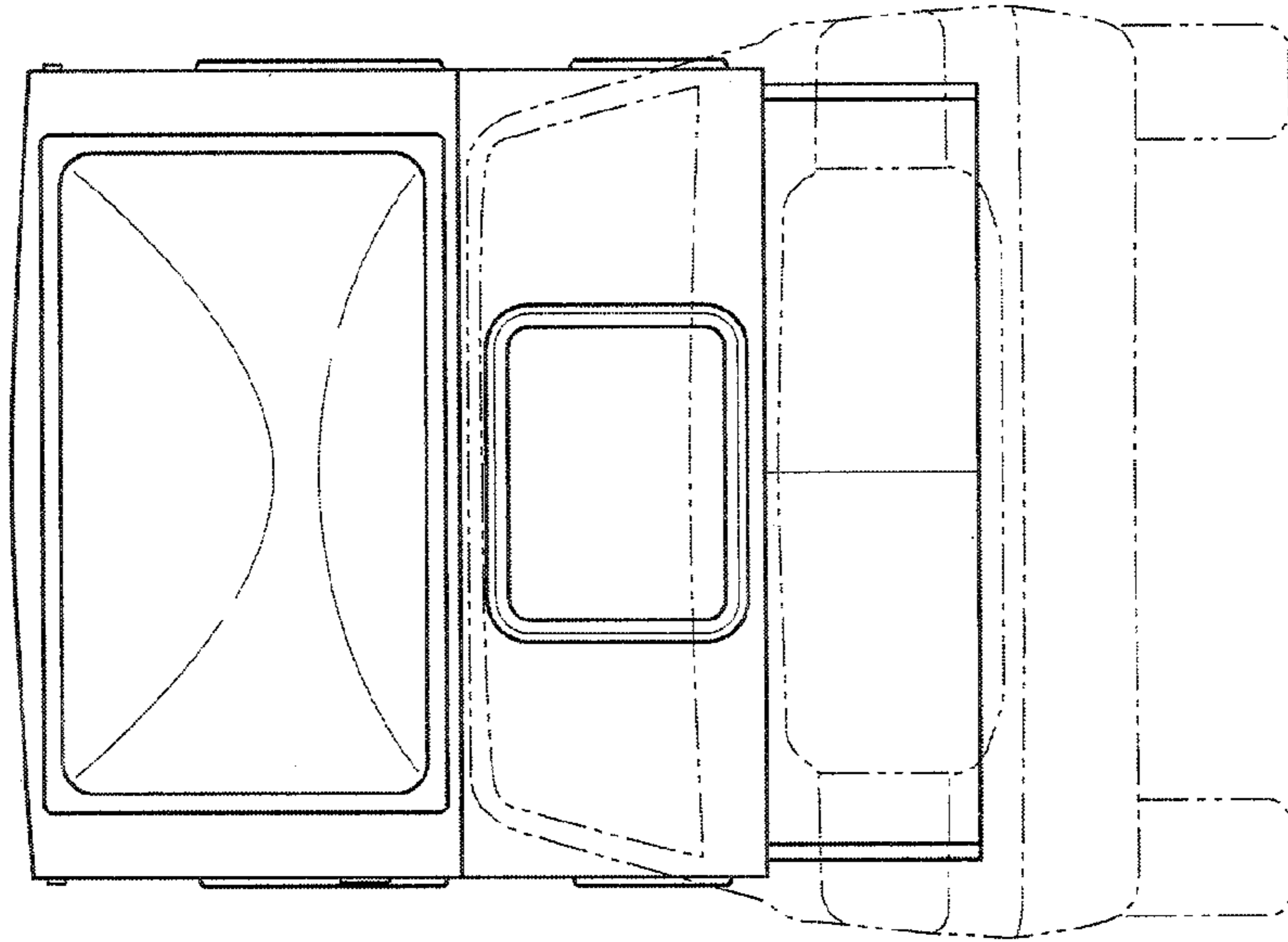


FIG. 4

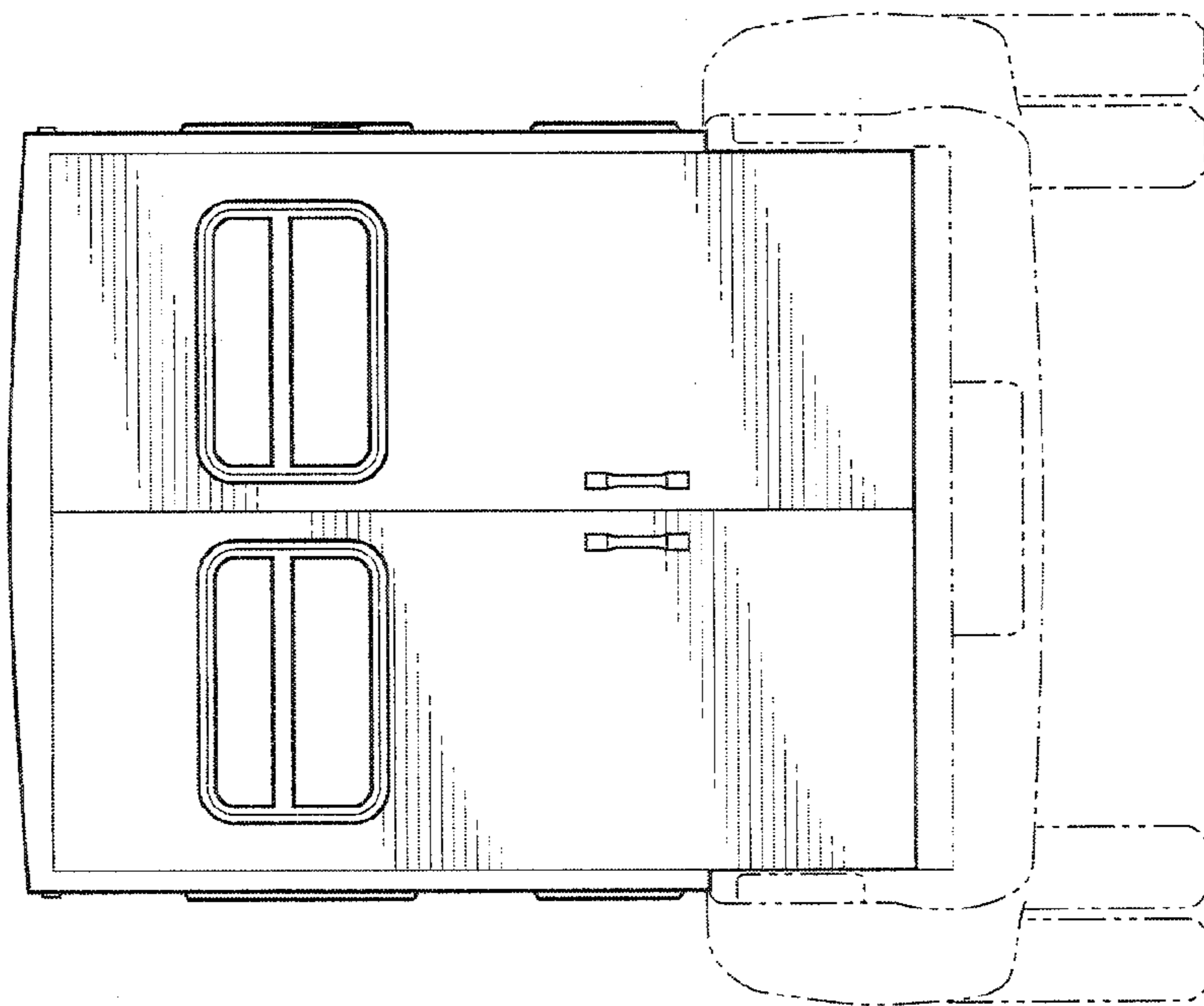


FIG. 3

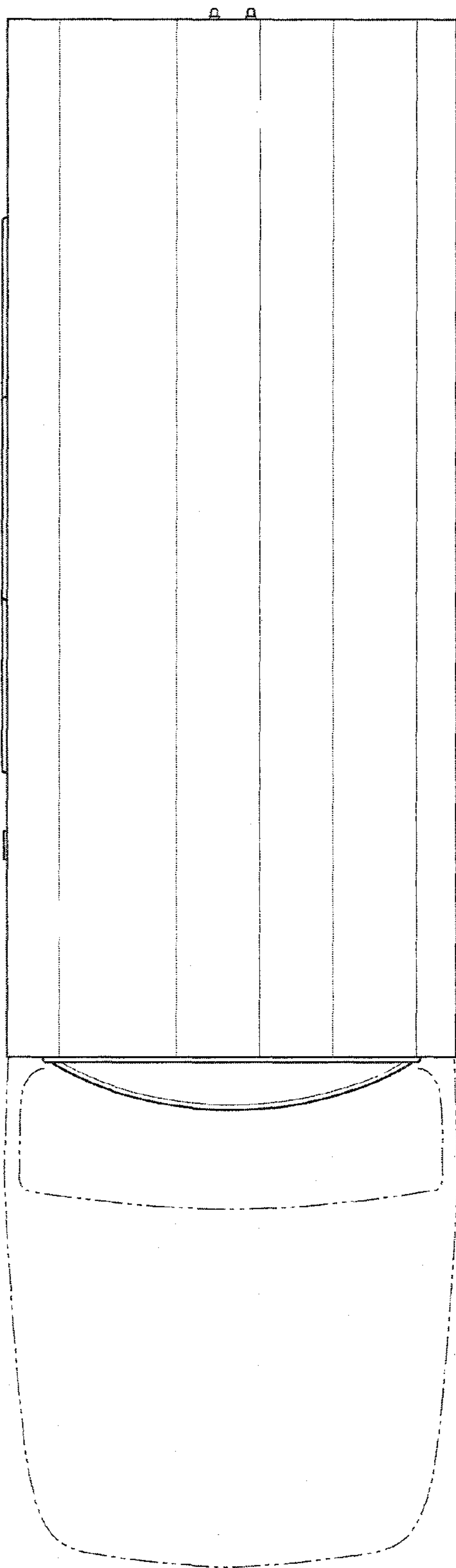


FIG. 5

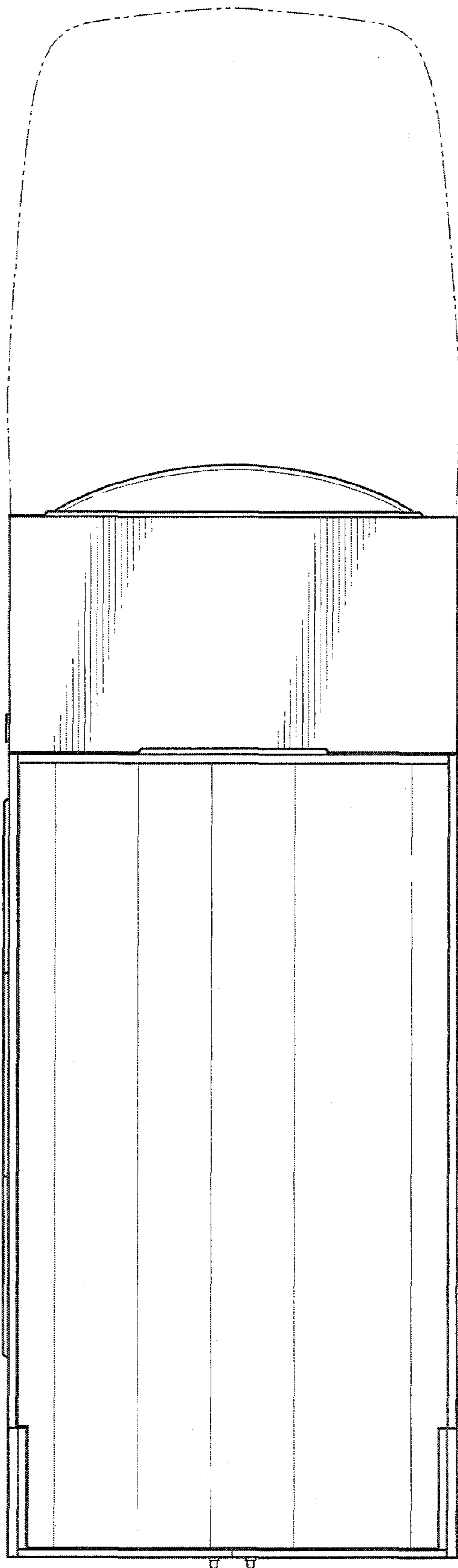


FIG. 6

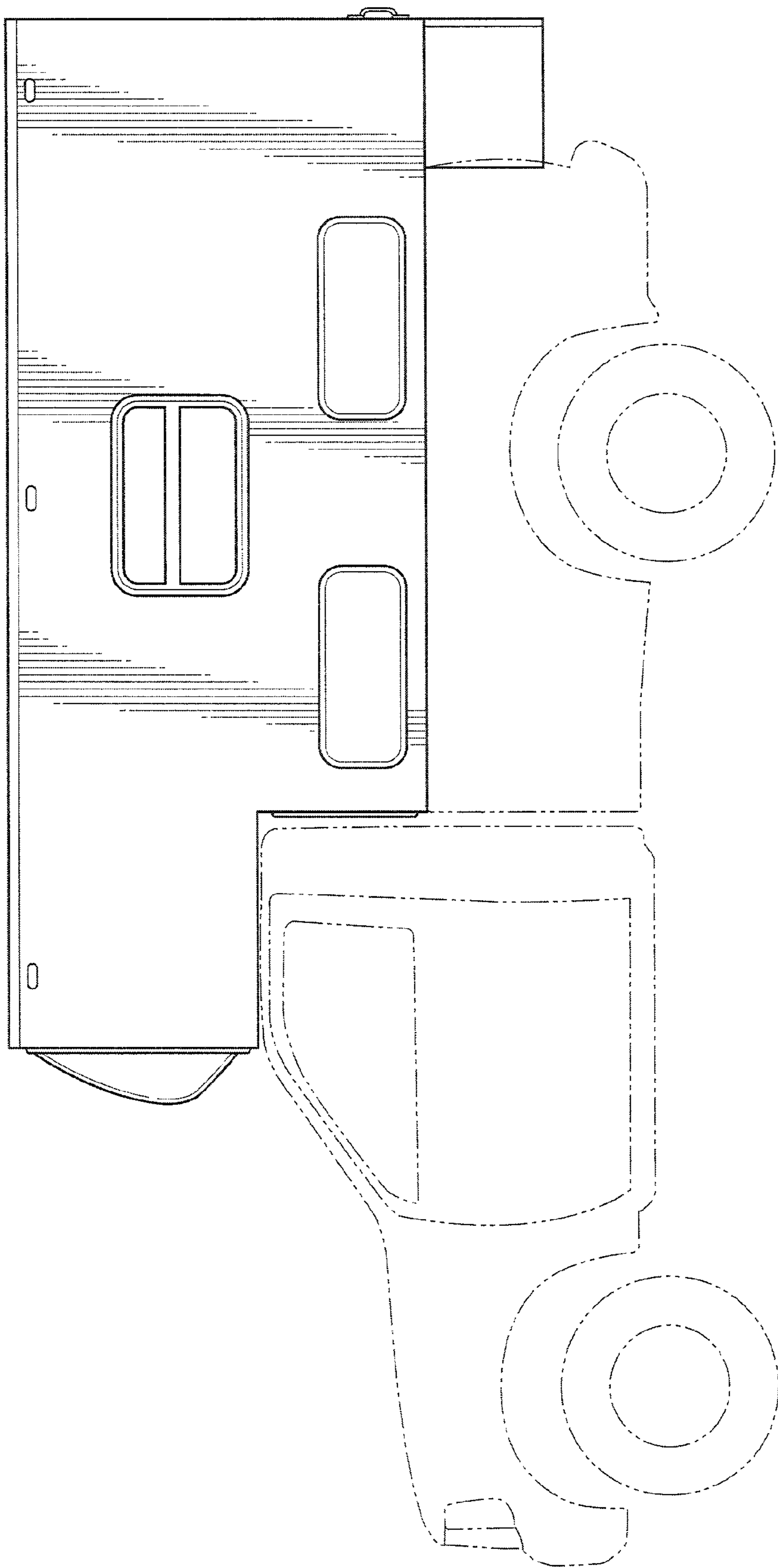


FIG. 7