



US00D680938S

(12) **United States Design Patent**
Hale, Jr.

(10) **Patent No.:** **US D680,938 S**

(45) **Date of Patent:** **** Apr. 30, 2013**

(54) **VEHICLE-WHEEL FRONT FACE**

D624,477 S * 9/2010 McMath D12/210
D664,909 S * 8/2012 Williams D12/210

(75) Inventor: **Arthur D. Hale, Jr.**, Long Beach, CA
(US)

* cited by examiner

(73) Assignee: **Mobile Hi-Tech Wheels**, Rancho
Dominguez, CA (US)

Primary Examiner — Stacia Cadmus

(74) *Attorney, Agent, or Firm* — Christie, Parker, Hale, LLP

(**) Term: **14 Years**

(57) **CLAIM**

The ornamental design for vehicle-wheel front face, as shown
and described.

(21) Appl. No.: **29/402,547**

DESCRIPTION

(22) Filed: **Sep. 23, 2011**

(51) **LOC (9) Cl.** **12-16**

(52) **U.S. Cl.**

USPC **D12/210**

(58) **Field of Classification Search** D12/204–213;
301/37.101, 64.101, 65, 64.201
See application file for complete search history.

(56) **References Cited**

U.S. PATENT DOCUMENTS

D284,753 S * 7/1986 Hedlund D12/210
D555,064 S * 11/2007 Danbom D12/204
D576,093 S * 9/2008 Chung D12/210
D582,827 S * 12/2008 Musser D12/210
D612,316 S * 3/2010 Sanschagrin et al. D12/210

FIG. 1 is a perspective view of a vehicle-wheel front face
according to my new design;

FIG. 2 is a front elevational view thereof;

FIG. 3 is a side elevational view thereof;

FIG. 4 is a perspective view of a second embodiment of a
vehicle-wheel front face according to my new design;

FIG. 5 is a front elevational view of the second embodiment;
and,

FIG. 6 is a side elevational view of the second embodiment.
The broken line showing of the rear of the wheel, the round
elements on the lip of the rim and the bolt holes and center
hole in the central hub area is included for the purpose of
illustrating environment and forms no part of the claimed
design.

1 Claim, 6 Drawing Sheets

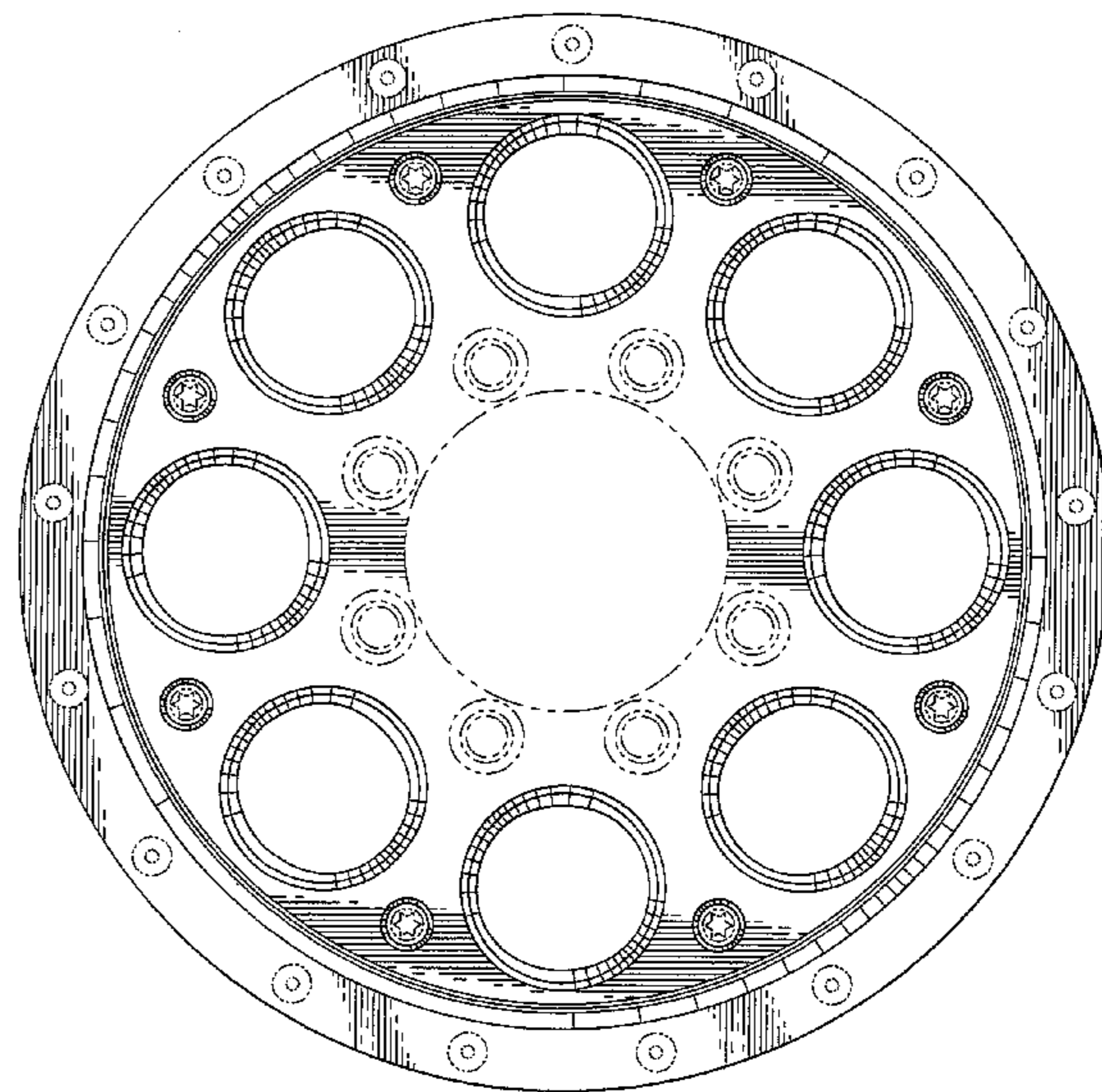
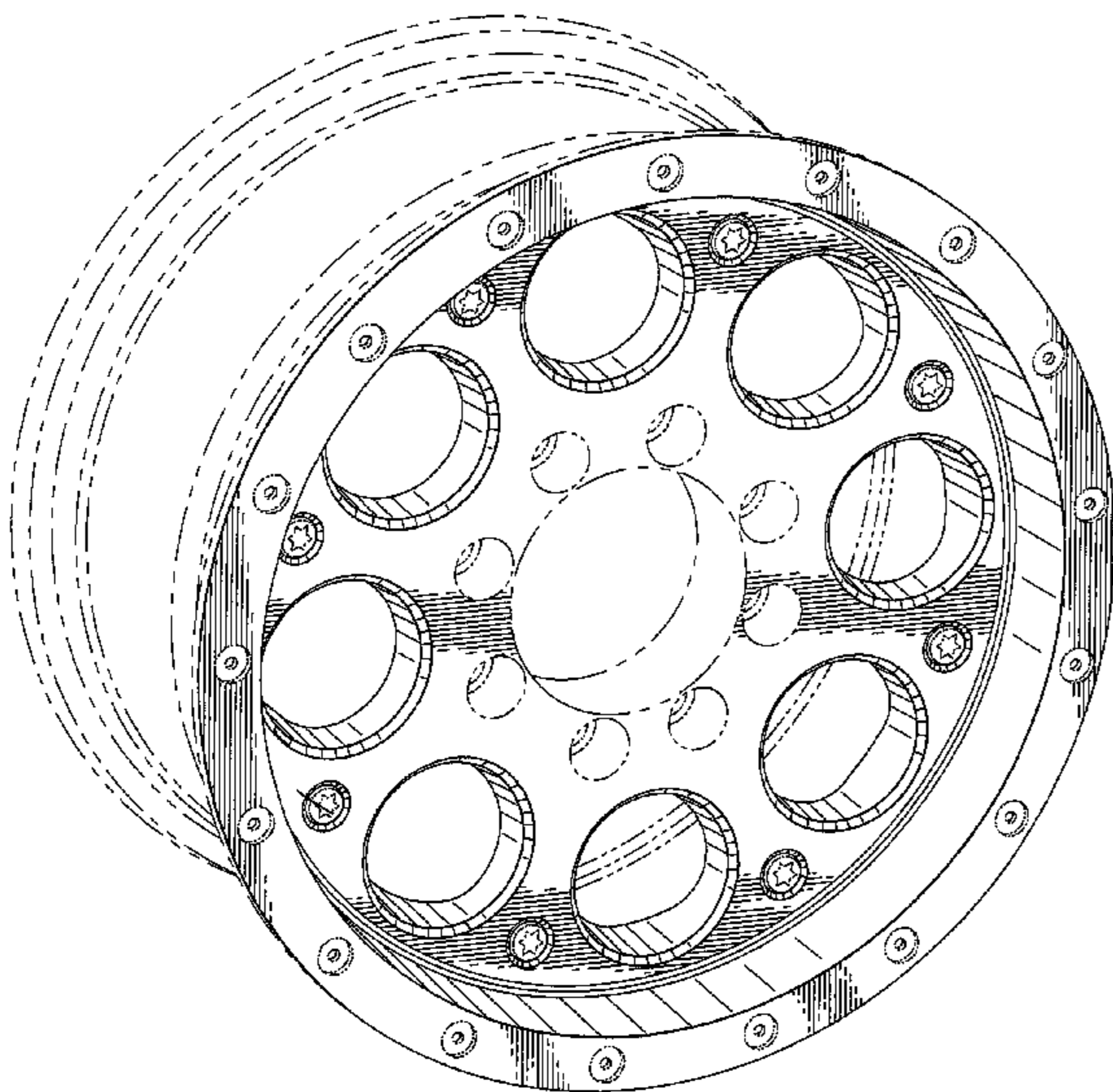


FIG. 1

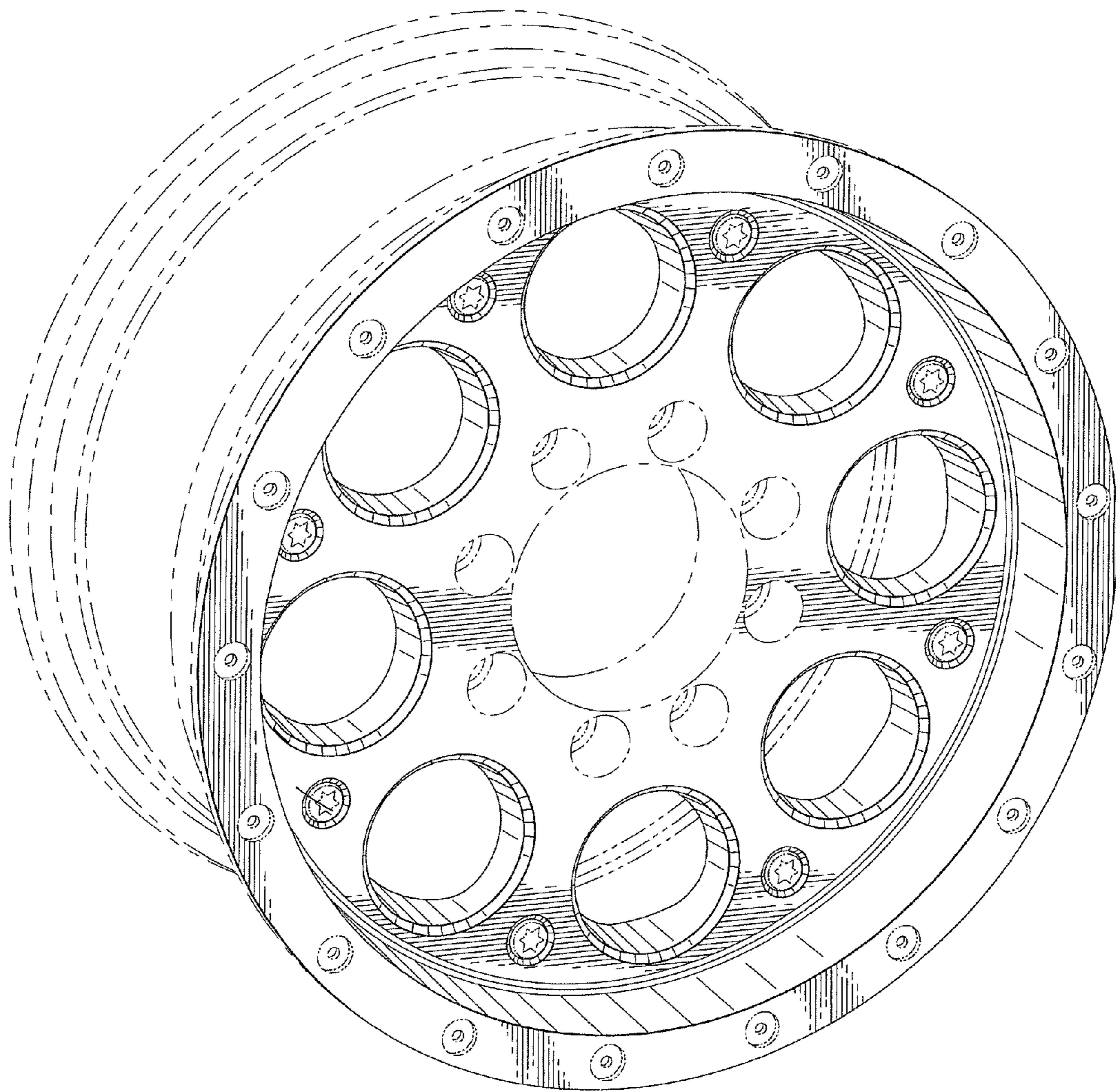


FIG. 2

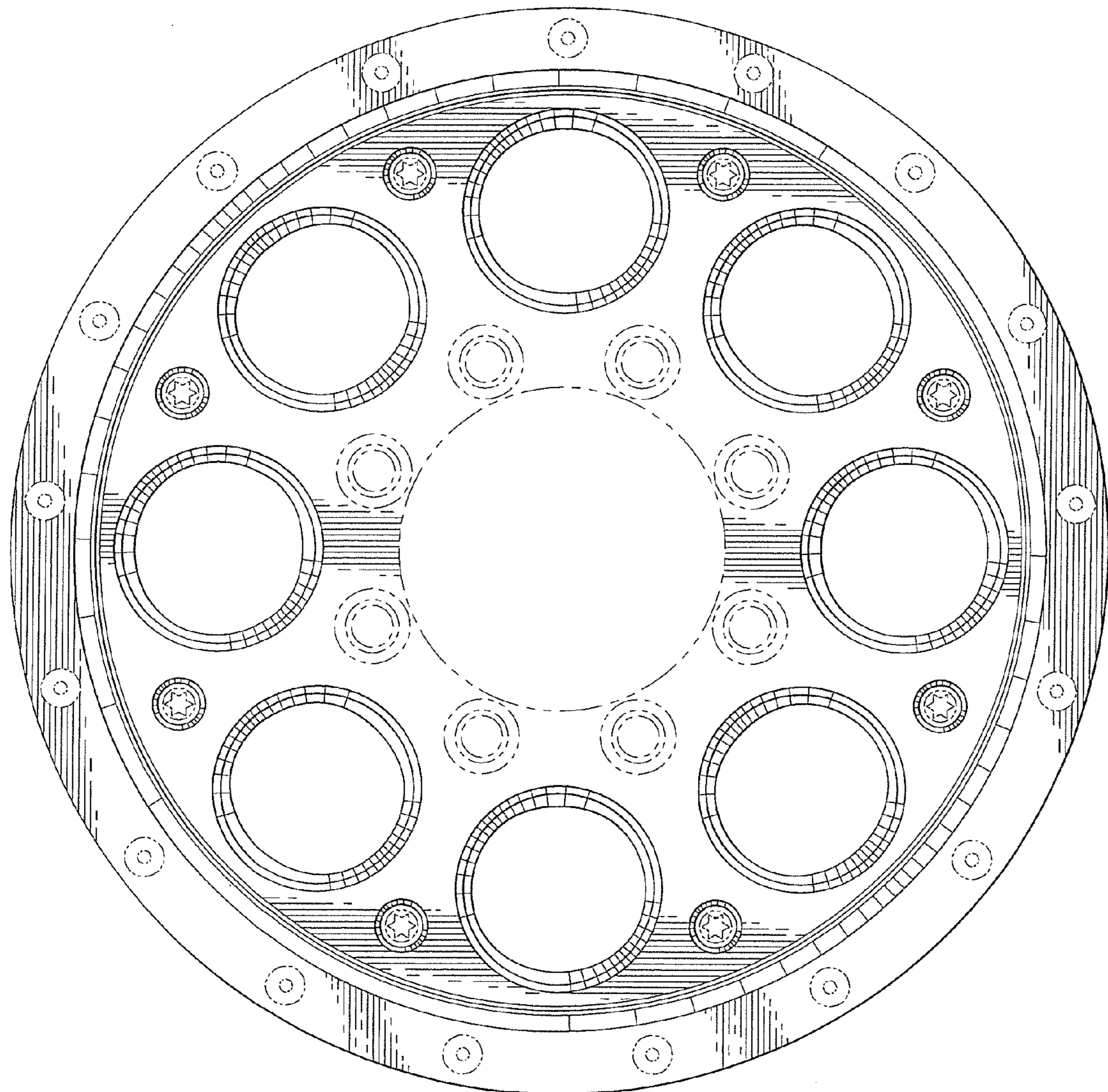


FIG. 3

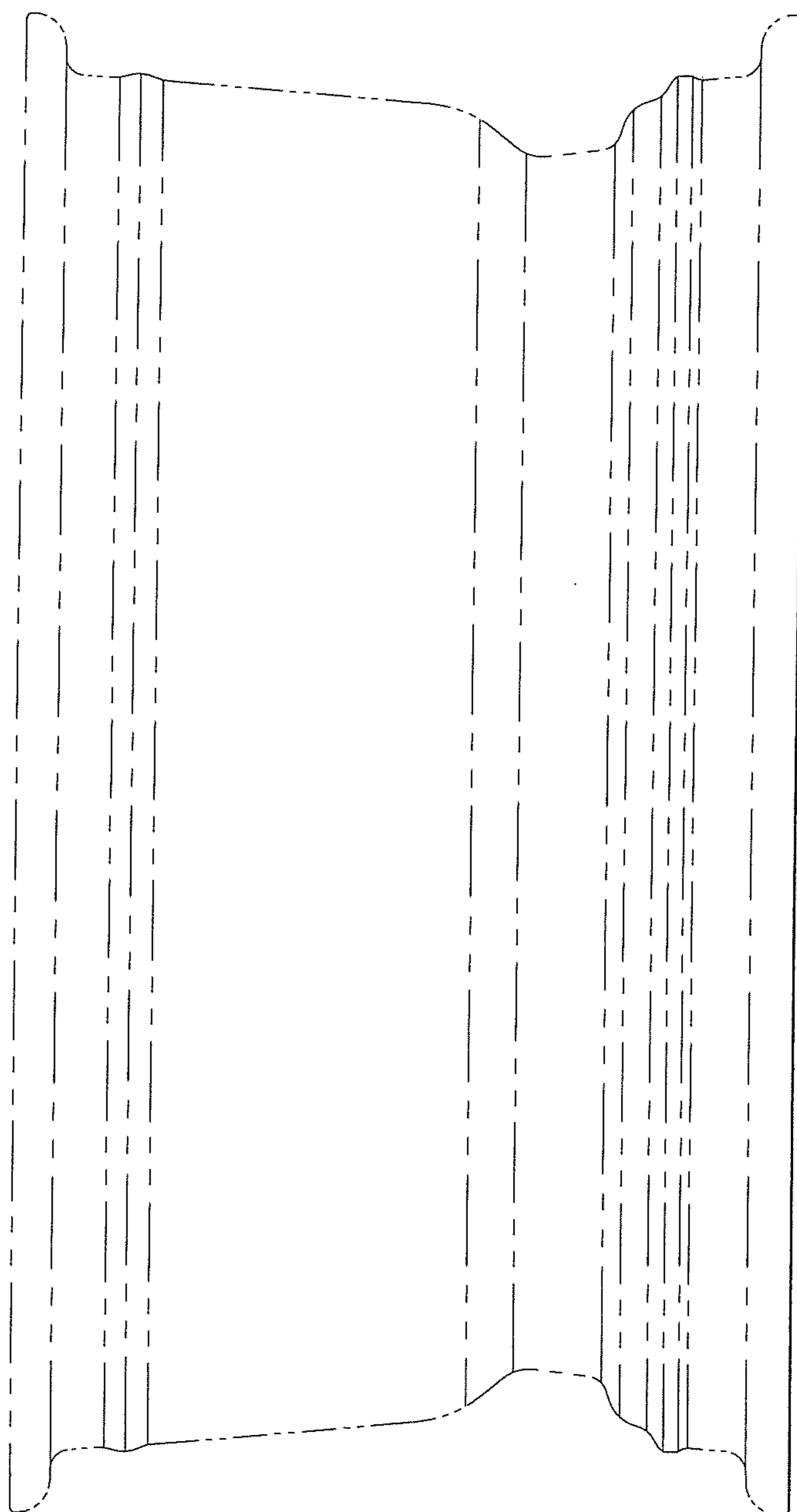


FIG. 4

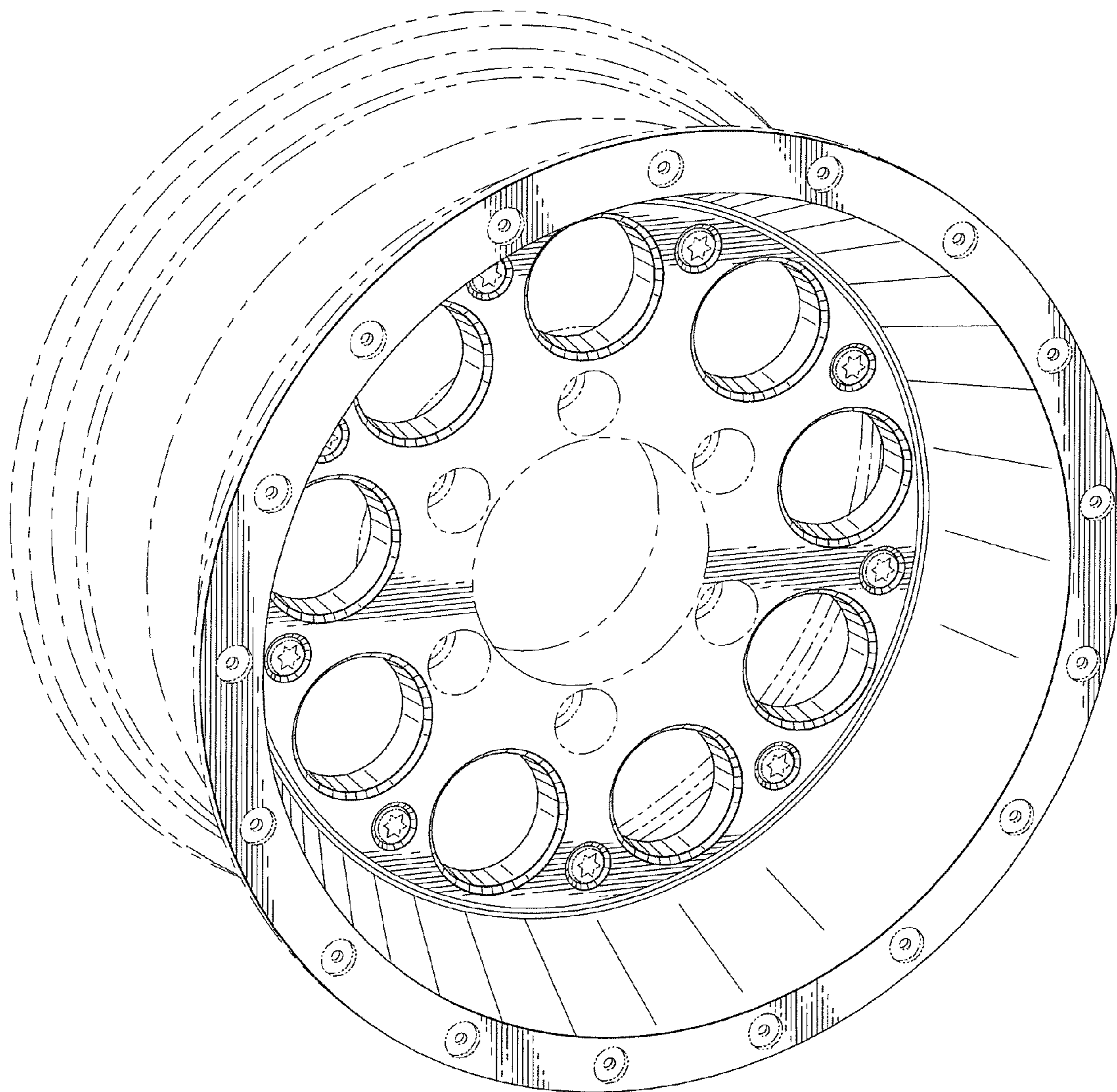


FIG. 5

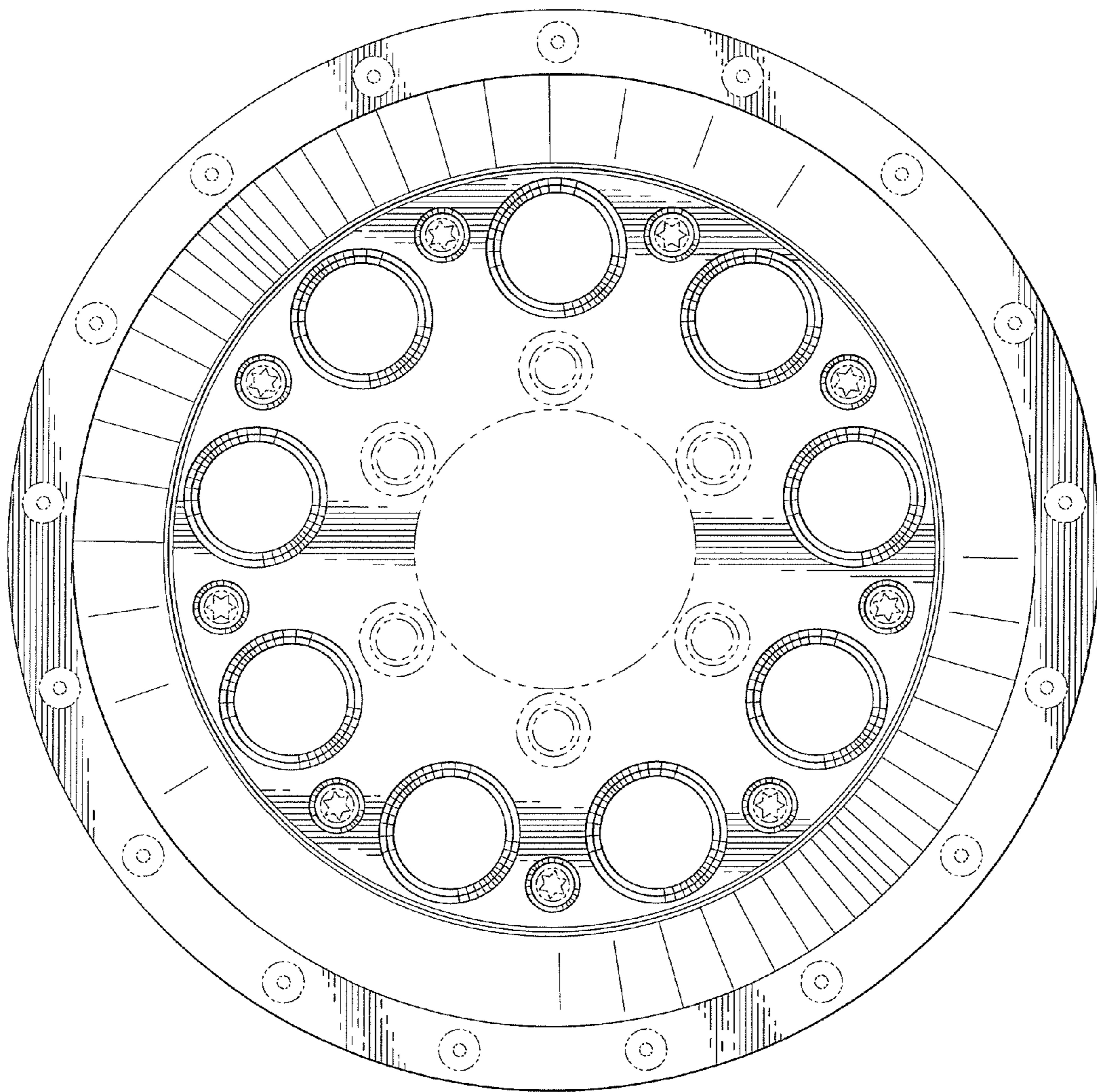


FIG. 6

