



US00D680937S

(12) **United States Design Patent**  
**Hale, Jr.**

(10) **Patent No.:** **US D680,937 S**

(45) **Date of Patent:** **\*\* Apr. 30, 2013**

(54) **SPOKE SEGMENT OF A VEHICLE WHEEL**

(75) **Inventor:** **Arthur D. Hale, Jr.**, Long Beach, CA  
(US)

(73) **Assignee:** **Mobile Hi-Tech Wheels**, Rancho  
Dominguez, CA (US)

(\*\*) **Term:** **14 Years**

(21) **Appl. No.:** **29/399,815**

(22) **Filed:** **Aug. 18, 2011**

(51) **LOC (9) Cl.** ..... **12-16**

(52) **U.S. Cl.**  
USPC ..... **D12/210; D12/213**

(58) **Field of Classification Search** ..... D12/204-213;  
301/37.101, 64.101, 65, 64.201  
See application file for complete search history.

(56) **References Cited**

**U.S. PATENT DOCUMENTS**

D284,753	S	*	7/1986	Hedlund	.....	D12/210
D555,064	S	*	11/2007	Danbom	.....	D12/204
D576,093	S	*	9/2008	Chung	.....	D12/210
D582,827	S	*	12/2008	Musser	.....	D12/210
D612,316	S	*	3/2010	Sanschagrin et al.	.....	D12/210

D624,477	S	*	9/2010	McMath	.....	D12/210
D664,907	S	*	8/2012	Hale, Jr.	.....	D12/209
D664,909	S	*	8/2012	Williams	.....	D12/210

\* cited by examiner

*Primary Examiner* — Stacia Cadmus

(74) *Attorney, Agent, or Firm* — Christie, Parker & Hale,  
LLP

(57) **CLAIM**

The ornamental design for spoke segment of a vehicle wheel,  
as shown and described.

**DESCRIPTION**

FIG. 1 is a perspective view of a spoke segment of a vehicle wheel according to my new design; and, FIG. 2 is an enlarged front elevational view thereof. The broken line showing of the rear of the wheel, the round elements on the lip of the rim and the elements on the spoke segment is included for the purpose of illustrating environment and forms no part of the claimed design. The dash dot line on either side of the spoke segment is for the purpose of illustrating the boundary of the claimed design and forms no part thereof.

**1 Claim, 2 Drawing Sheets**

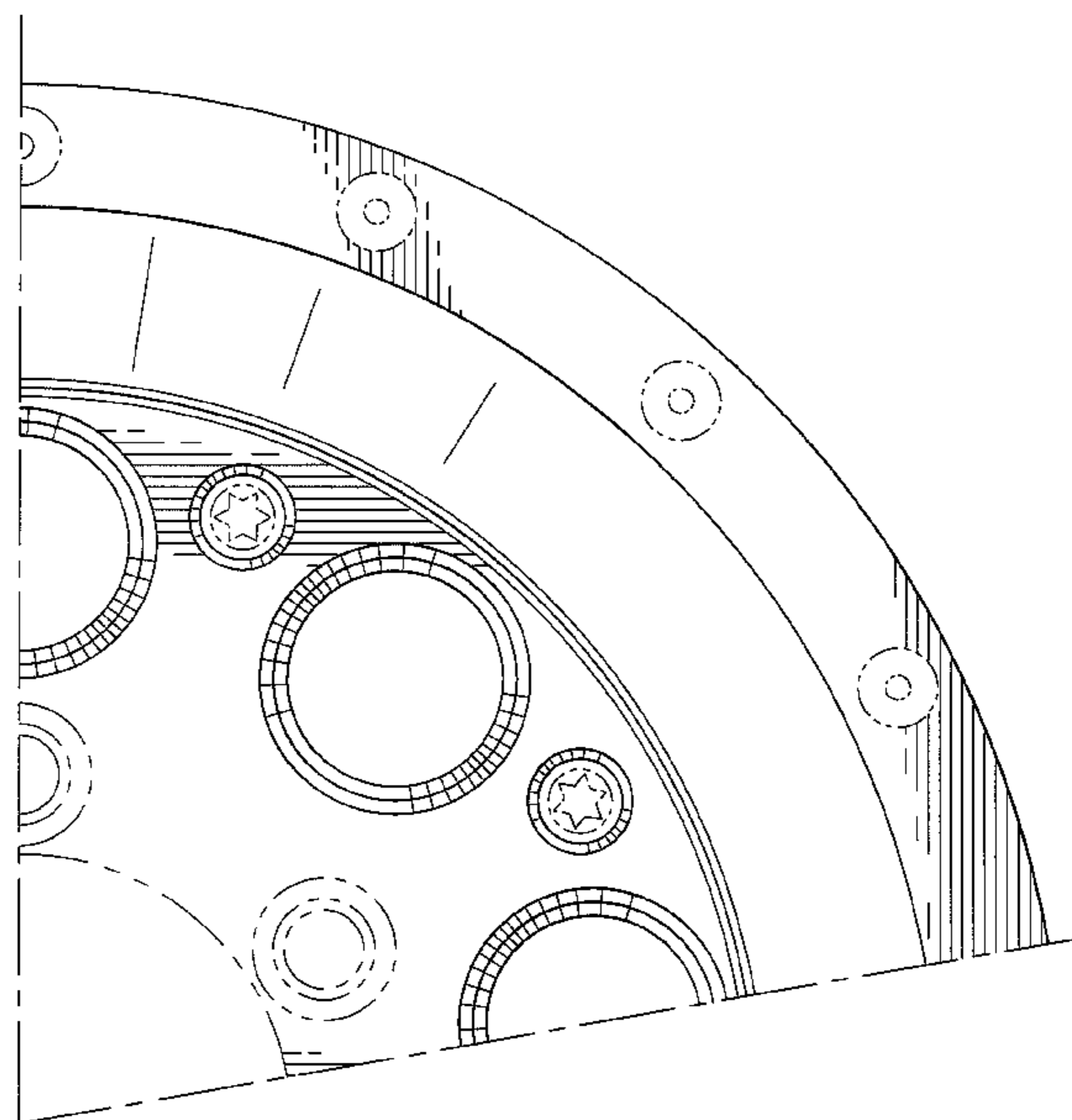
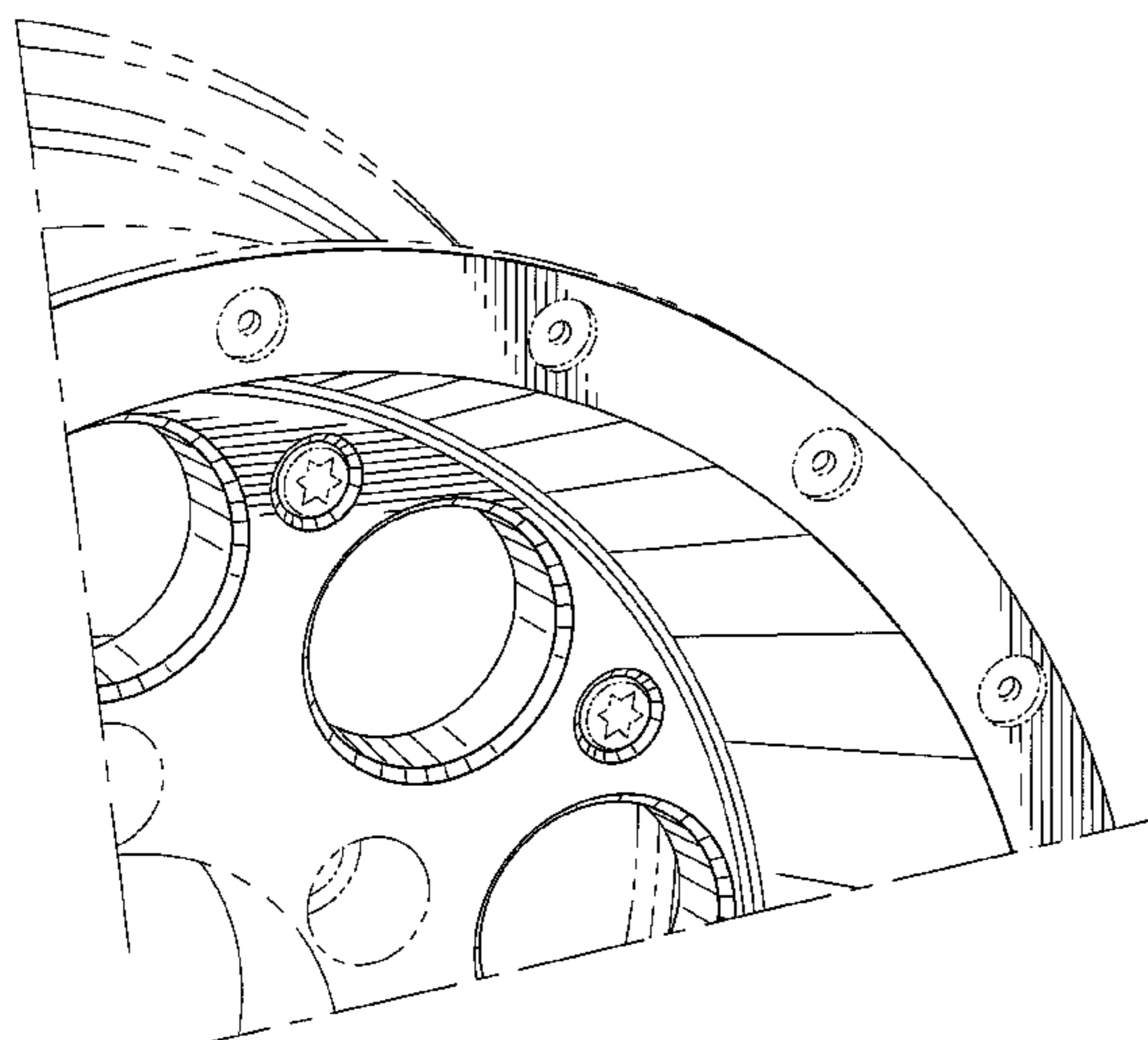


FIG. 1

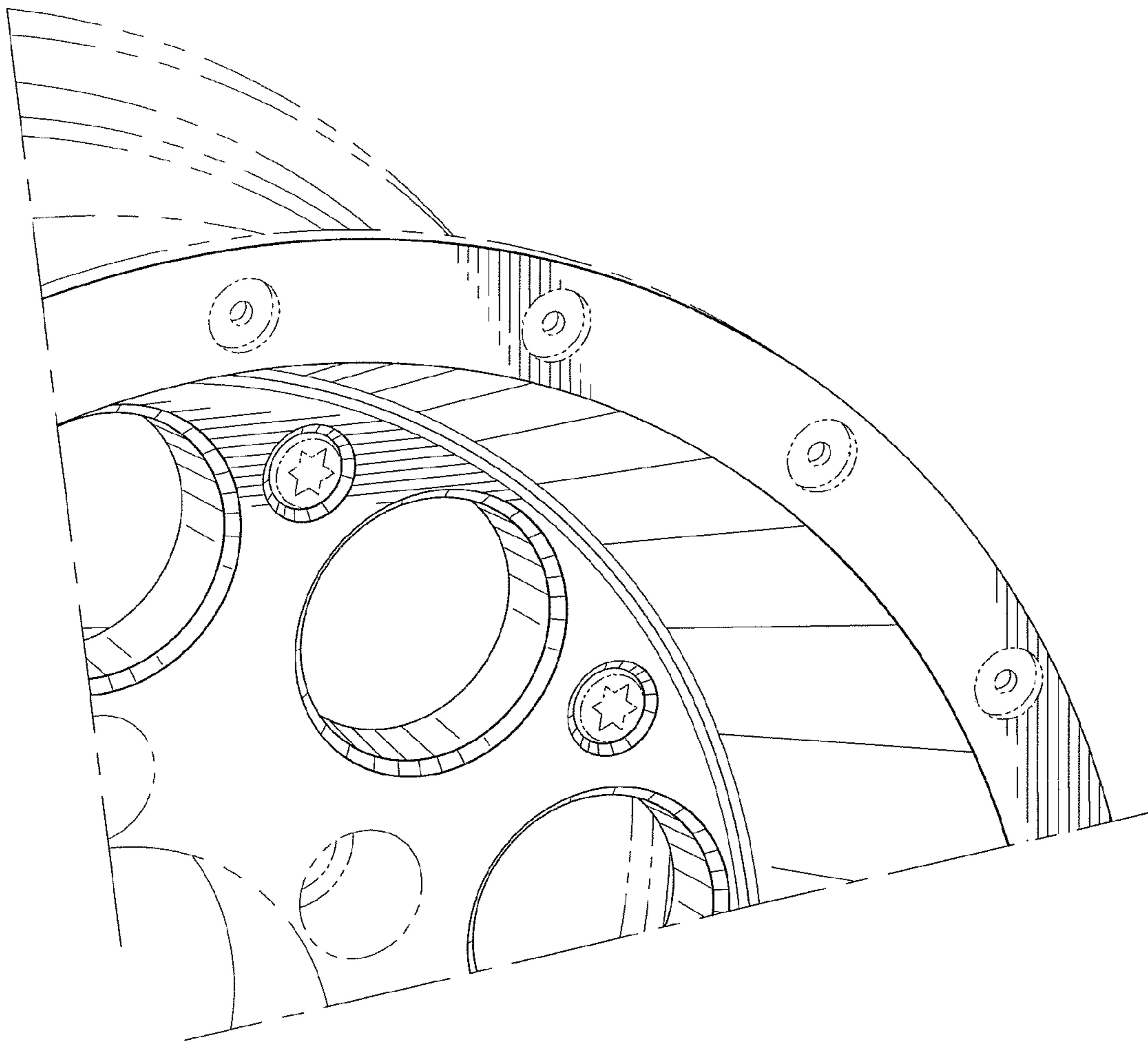


FIG. 2

