



US00D680936S

(12) **United States Design Patent**
Claunch

(10) **Patent No.:** **US D680,936 S**

(45) **Date of Patent:** **** *Apr. 30, 2013**

- (54) **VEHICLE-WHEEL FRONT FACE**
- (71) Applicant: **Mobile Hi-Tech Wheels, Rancho Dominguez, CA (US)**
- (72) Inventor: **Jeff E. Claunch, Grass Valley, CA (US)**
- (73) Assignee: **Mobile Hi-Tech Wheels, Rancho Dominguez, CA (US)**

D590,315 S *	4/2009	Chung	D12/209
D620,863 S *	8/2010	Groom	D12/209
D625,242 S *	10/2010	Zhao	D12/211
D629,347 S *	12/2010	Kim	D12/211
D633,028 S *	2/2011	Kim	D12/211
D639,222 S *	6/2011	Johnson	D12/209
D639,223 S *	6/2011	Johnson	D12/209
D644,156 S *	8/2011	Johnson	D12/209
D649,101 S *	11/2011	Hale, Jr.	D12/209
D659,067 S *	5/2012	Lee	D12/209
D669,009 S *	10/2012	Chung	D12/211

(*) Notice: This patent is subject to a terminal disclaimer.

* cited by examiner

(**) Term: **14 Years**

Primary Examiner — Stacia Cadmus

(21) Appl. No.: **29/436,298**

(74) *Attorney, Agent, or Firm* — Christie, Parker & Hale, LLP

(22) Filed: **Nov. 2, 2012**

(51) **LOC (9) Cl.** **12-16**

(52) **U.S. Cl.**
USPC **D12/209**

(58) **Field of Classification Search** D12/204–213;
301/37.101, 64.101, 65, 64.201
See application file for complete search history.

(57) **CLAIM**

The ornamental design for vehicle-wheel front face, as shown and described.

DESCRIPTION

FIG. 1 is a perspective view of a vehicle-wheel front face according to my new design;
FIG. 2 is a front elevational view thereof; and,
FIG. 3 is a side elevational view thereof.
The broken line showing the rear of the wheel and the round elements around the lip of the rim is included for the purpose of illustrating environmental and forms no part of the of the claimed design.

(56) **References Cited**

U.S. PATENT DOCUMENTS

D579,845 S *	11/2008	Chung	D12/209
D582,829 S *	12/2008	Musser	D12/211

1 Claim, 3 Drawing Sheets

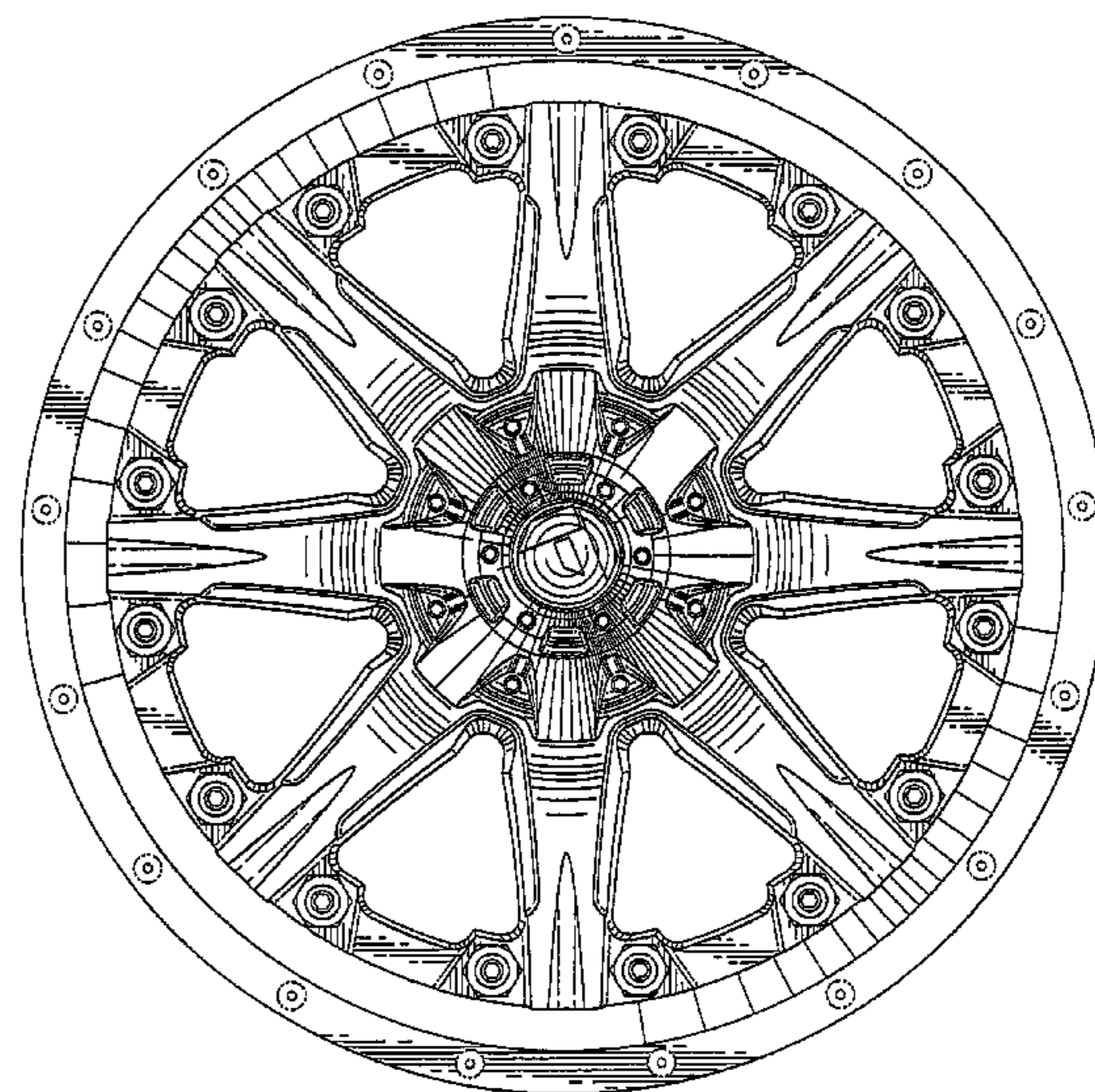
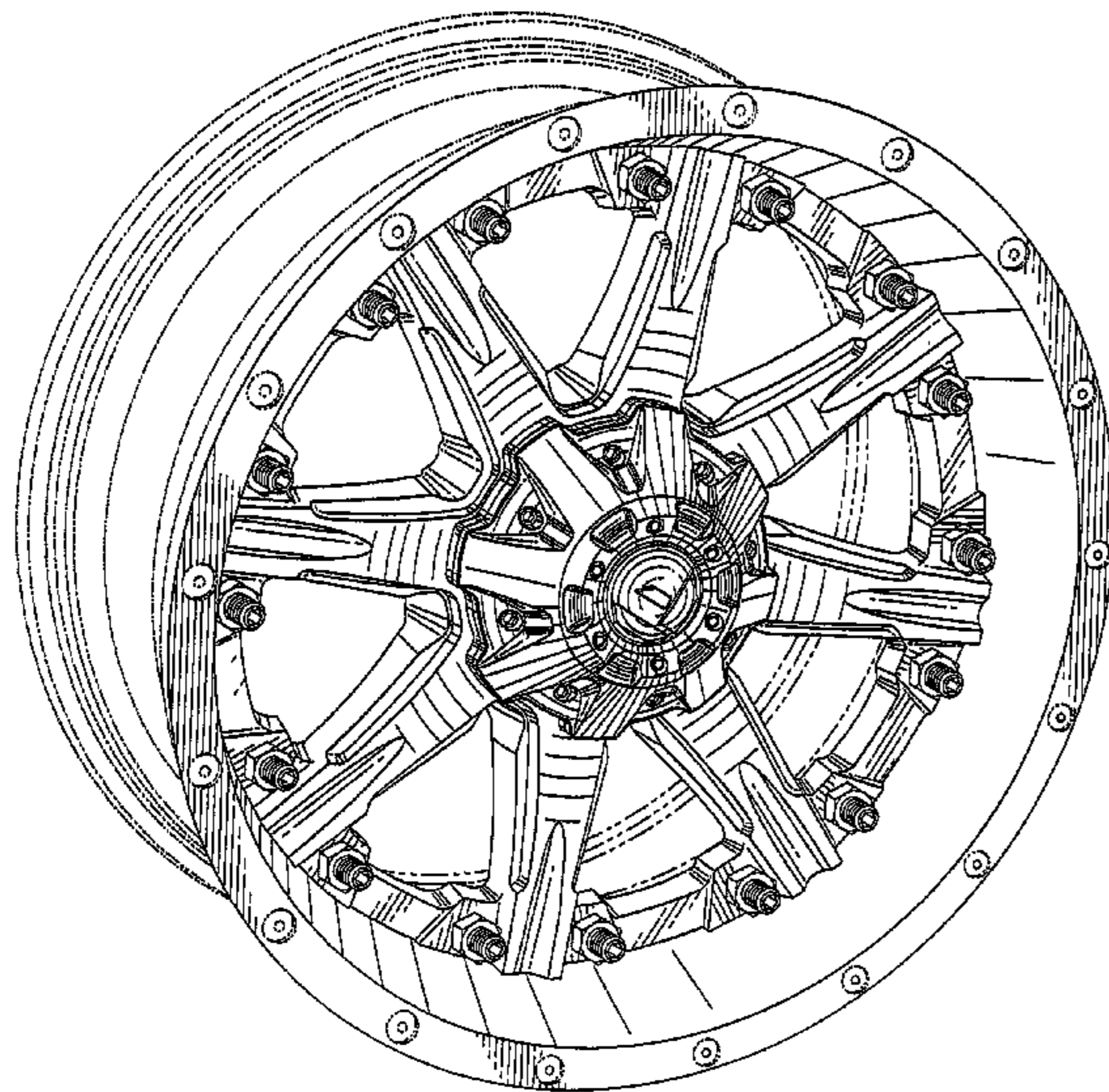


FIG. 1

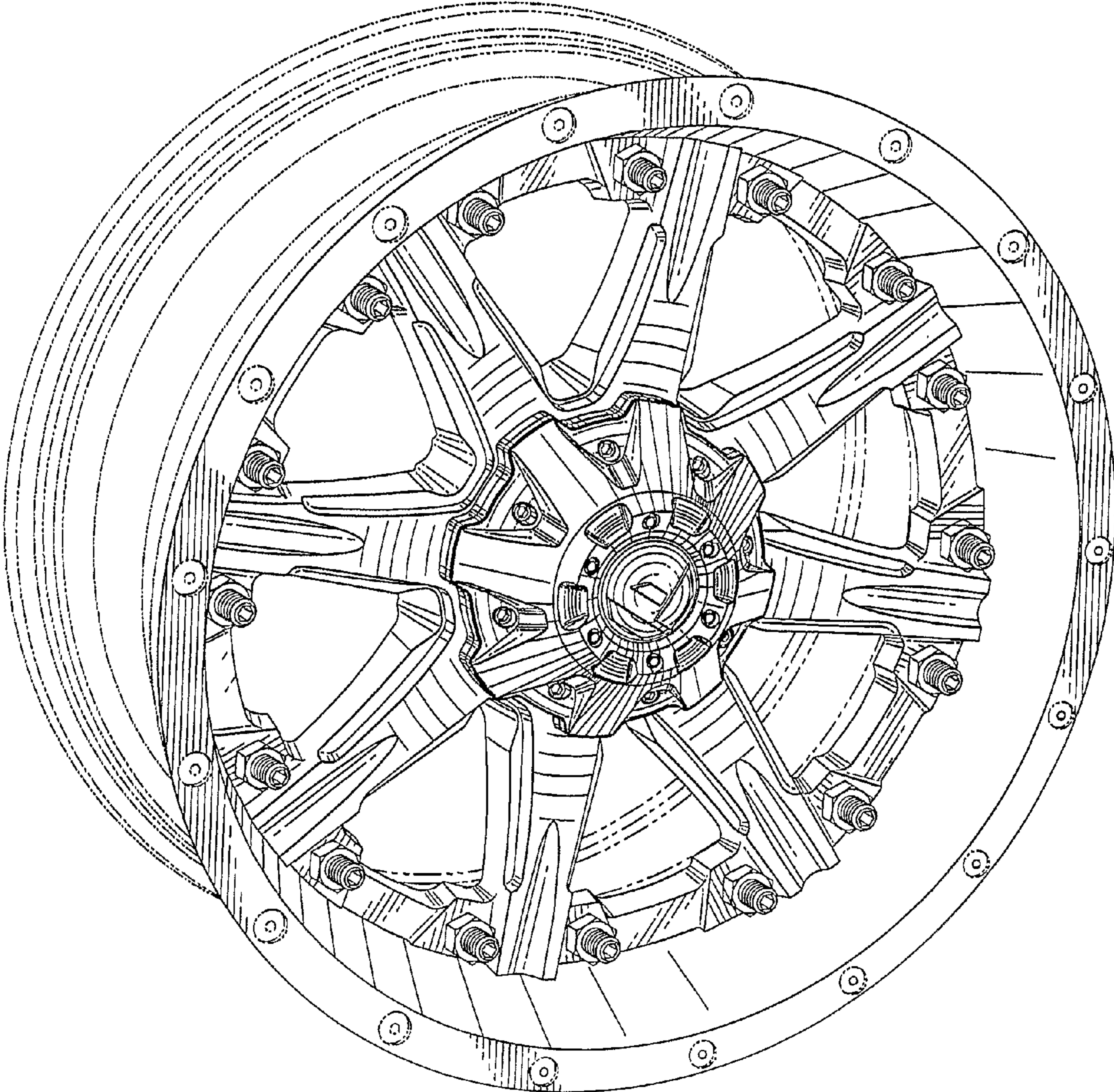


FIG. 2

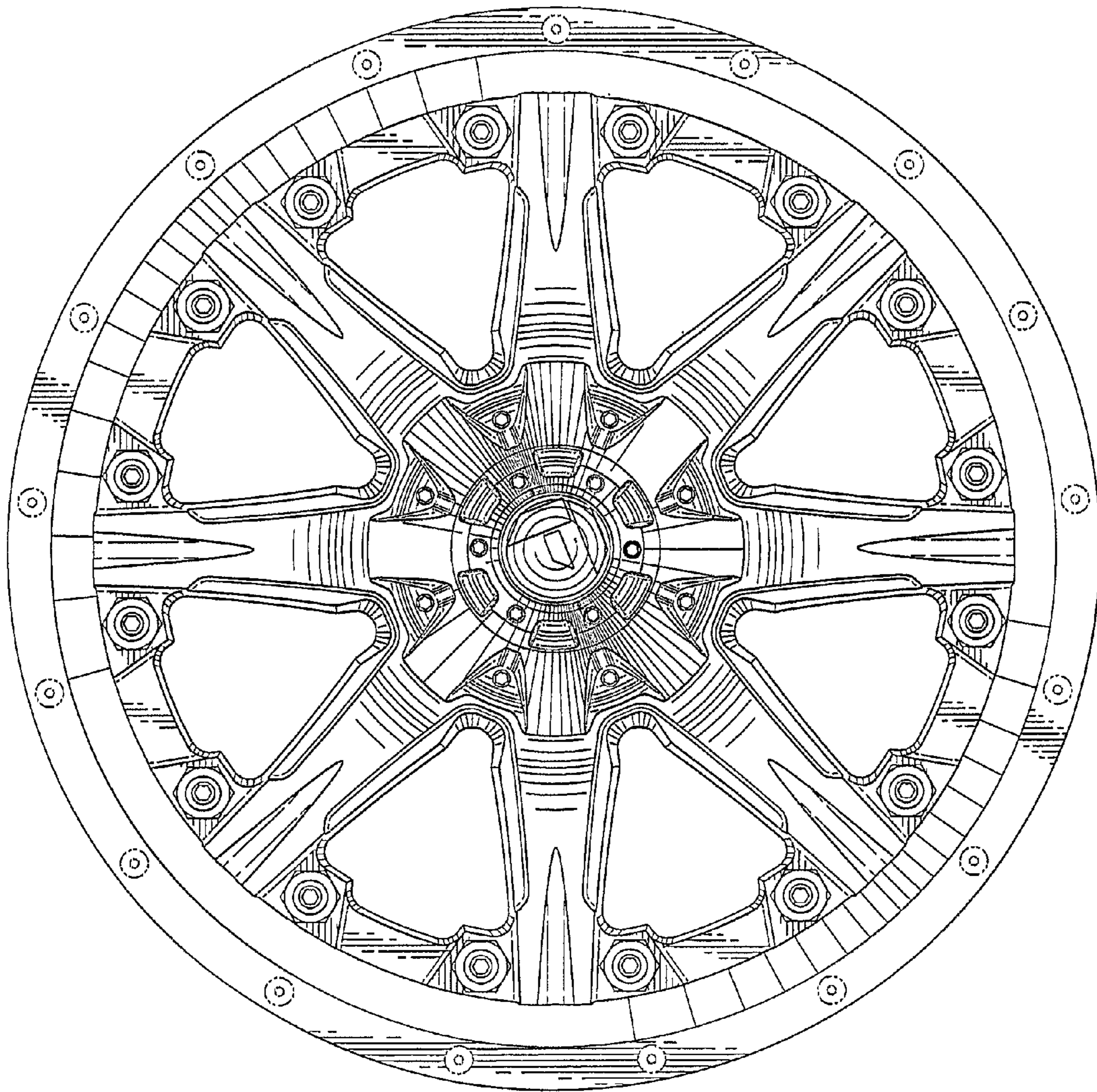
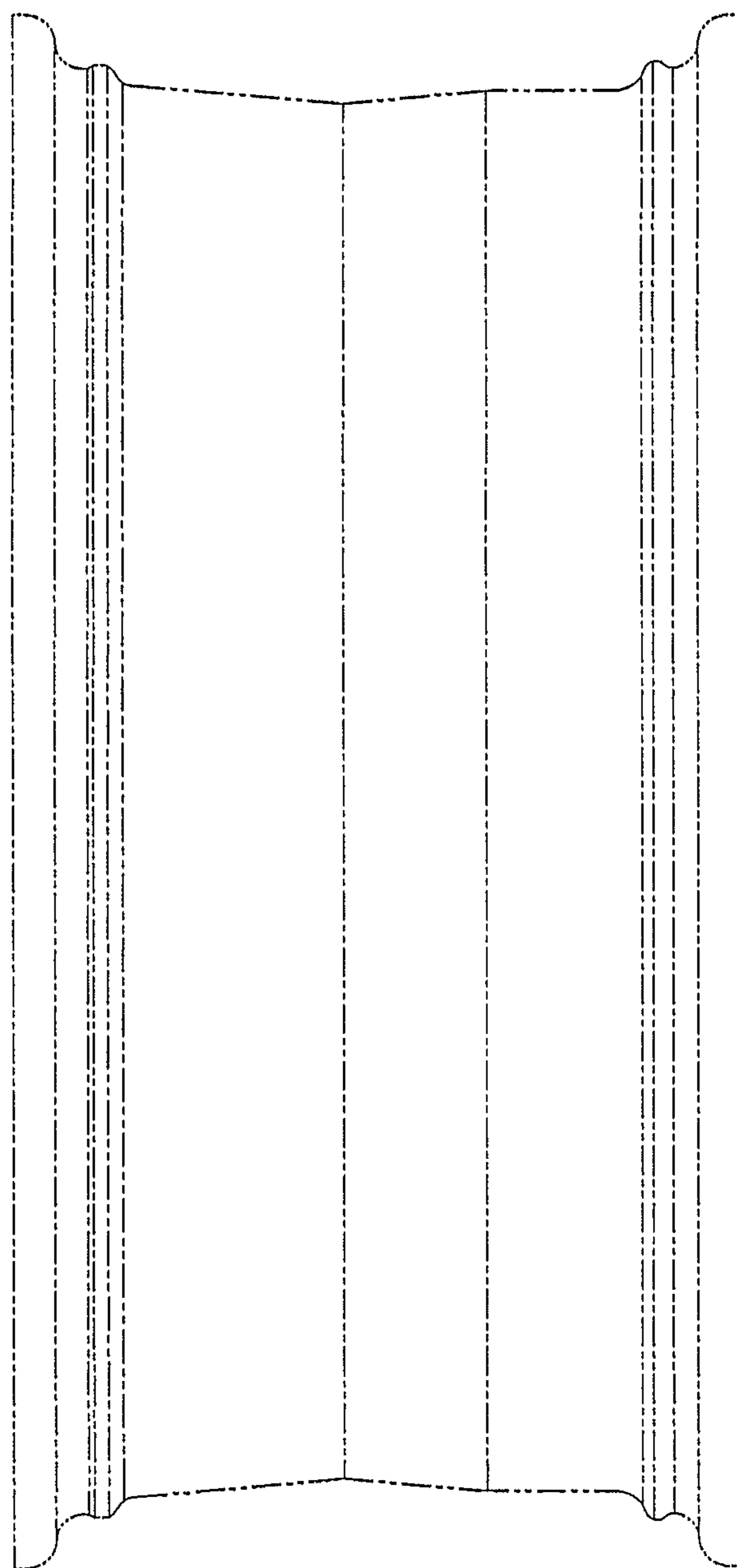


FIG. 3



UNITED STATES PATENT AND TRADEMARK OFFICE
CERTIFICATE OF CORRECTION

PATENT NO. : D680,936 S
APPLICATION NO. : 29/436298
DATED : April 30, 2013
INVENTOR(S) : Jeff E. Claunch

Page 1 of 1

It is certified that error appears in the above-identified patent and that said Letters Patent is hereby corrected as shown below:

On the Title Page

DESCRIPTION, line 7

Delete "environmental"

Insert -- environment --

Signed and Sealed this
Fifteenth Day of July, 2014



Michelle K. Lee
Deputy Director of the United States Patent and Trademark Office