



US00D680934S

(12) **United States Design Patent**
Eda

(10) **Patent No.:** **US D680,934 S**
(45) **Date of Patent:** **** Apr. 30, 2013**

(54) **WHEEL FOR AUTOMOBILES**
(71) Applicant: **Honda Motor Co., Ltd.**, Tokyo (JP)
(72) Inventor: **Toshiyuki Eda**, Wako (JP)
(73) Assignee: **Honda Motor Co., Ltd.**, Tokyo (JP)
(**) Term: **14 Years**

(21) Appl. No.: **29/436,051**
(22) Filed: **Oct. 31, 2012**

(30) **Foreign Application Priority Data**
Apr. 27, 2012 (JP) 2012-010026
(51) **LOC (9) Cl.** **12-16**
(52) **U.S. Cl.**
USPC **D12/209**
(58) **Field of Classification Search** D12/204-213;
301/37.101, 64.101, 65, 64.201
See application file for complete search history.

(56) **References Cited**
U.S. PATENT DOCUMENTS
D531,563 S * 11/2006 Martin D12/209

D558,118 S * 12/2007 Hueller et al. D12/211
D589,428 S * 3/2009 Scheu D12/211
D625,235 S * 10/2010 Nissl D12/209
D625,675 S * 10/2010 Juergens et al. D12/209
D644,155 S * 8/2011 Truebsbach D12/209
D660,763 S 5/2012 Chan
D671,059 S * 11/2012 Pollmann D12/209

* cited by examiner

Primary Examiner — Stacia Cadmus
(74) *Attorney, Agent, or Firm* — Westerman, Hattori,
Daniels & Adrian, LLP

(57) **CLAIM**
The ornamental design for a wheel for automobiles, as shown
and described.

DESCRIPTION

FIG. 1 is a front elevational view of a wheel for automobiles
showing my new design; and,
FIG. 2 is a front perspective thereof.
The broken lines illustrate environmental structure only and
form no part of the claimed design.

1 Claim, 2 Drawing Sheets

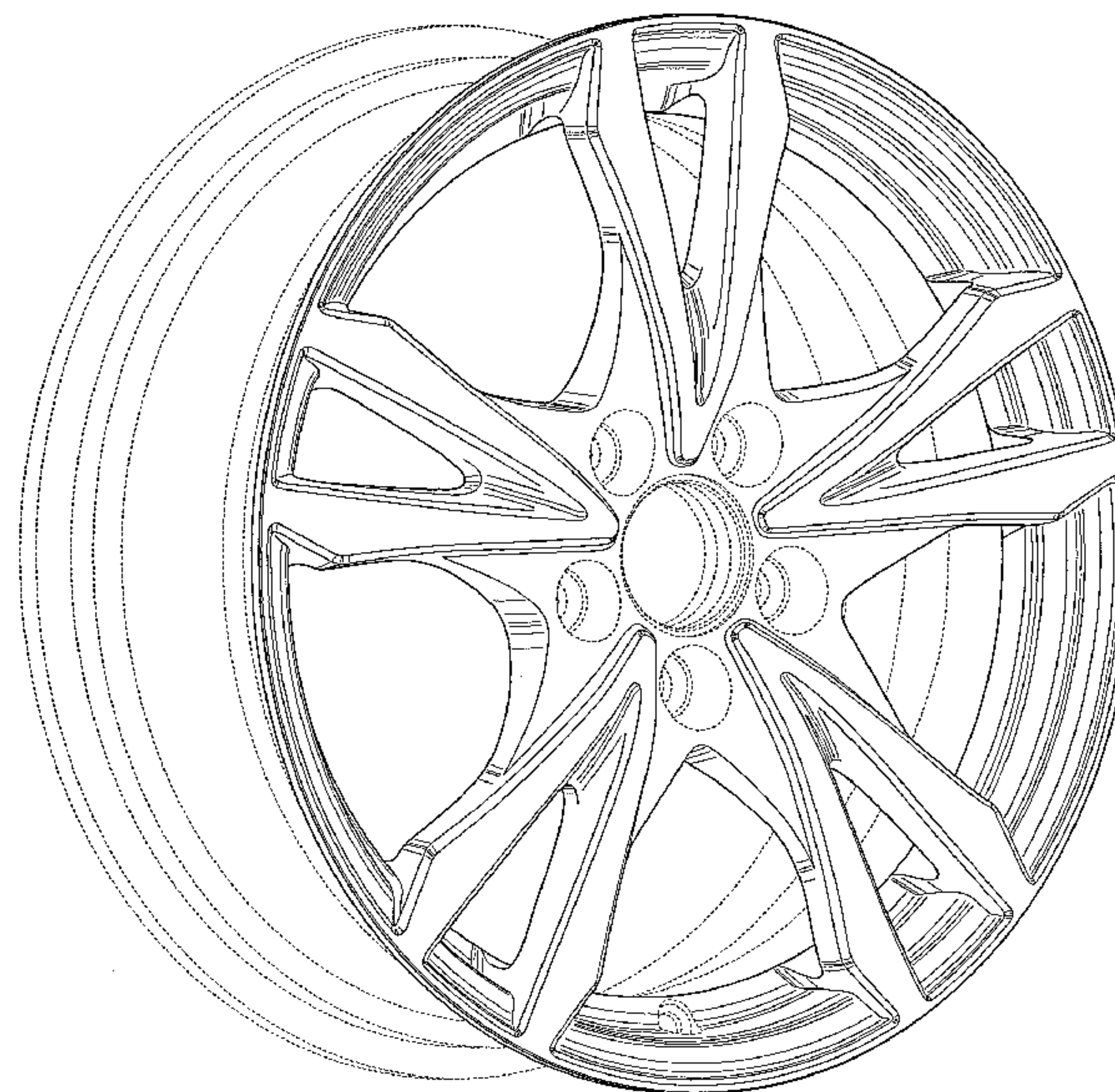
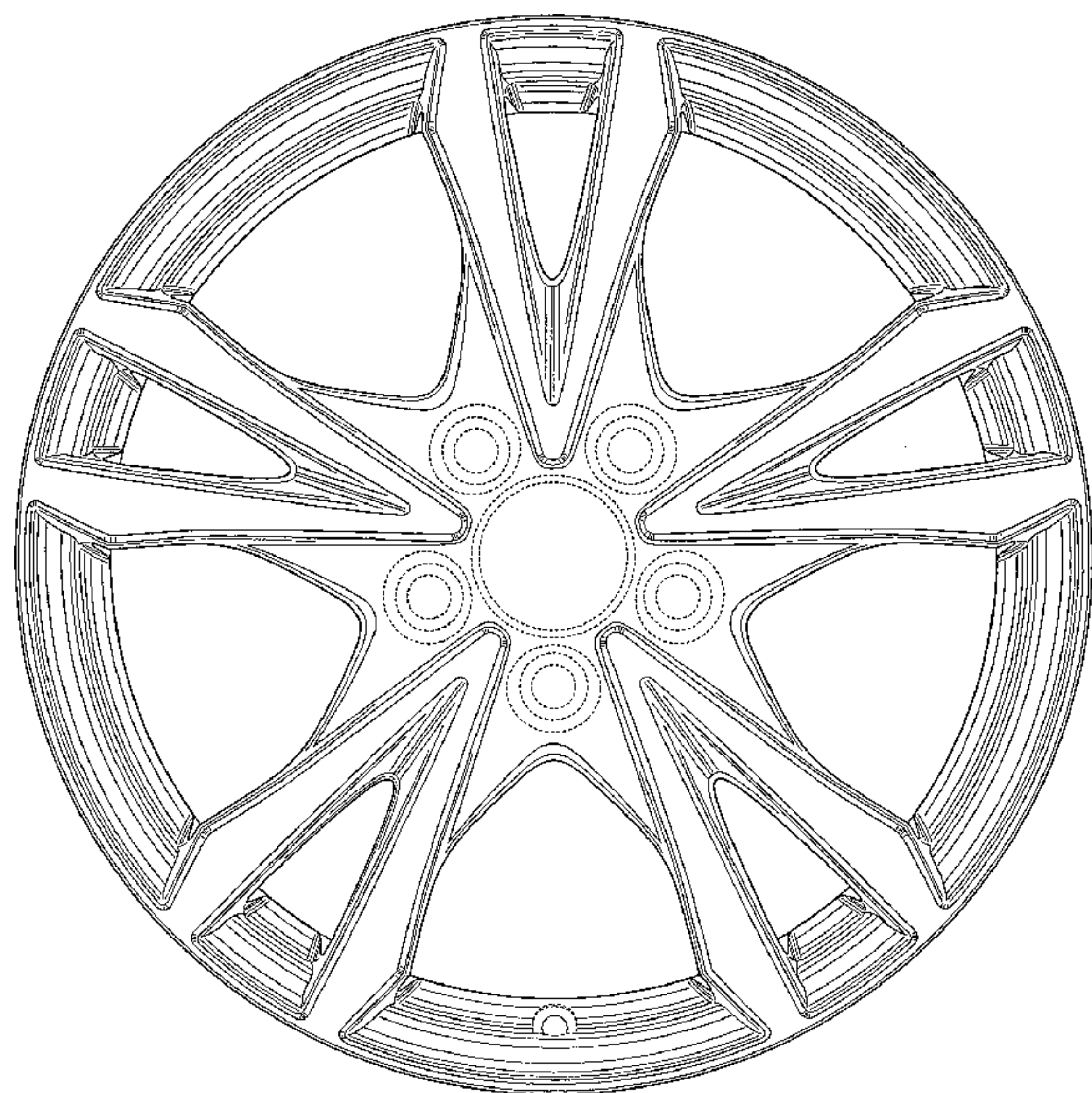


FIG. 1

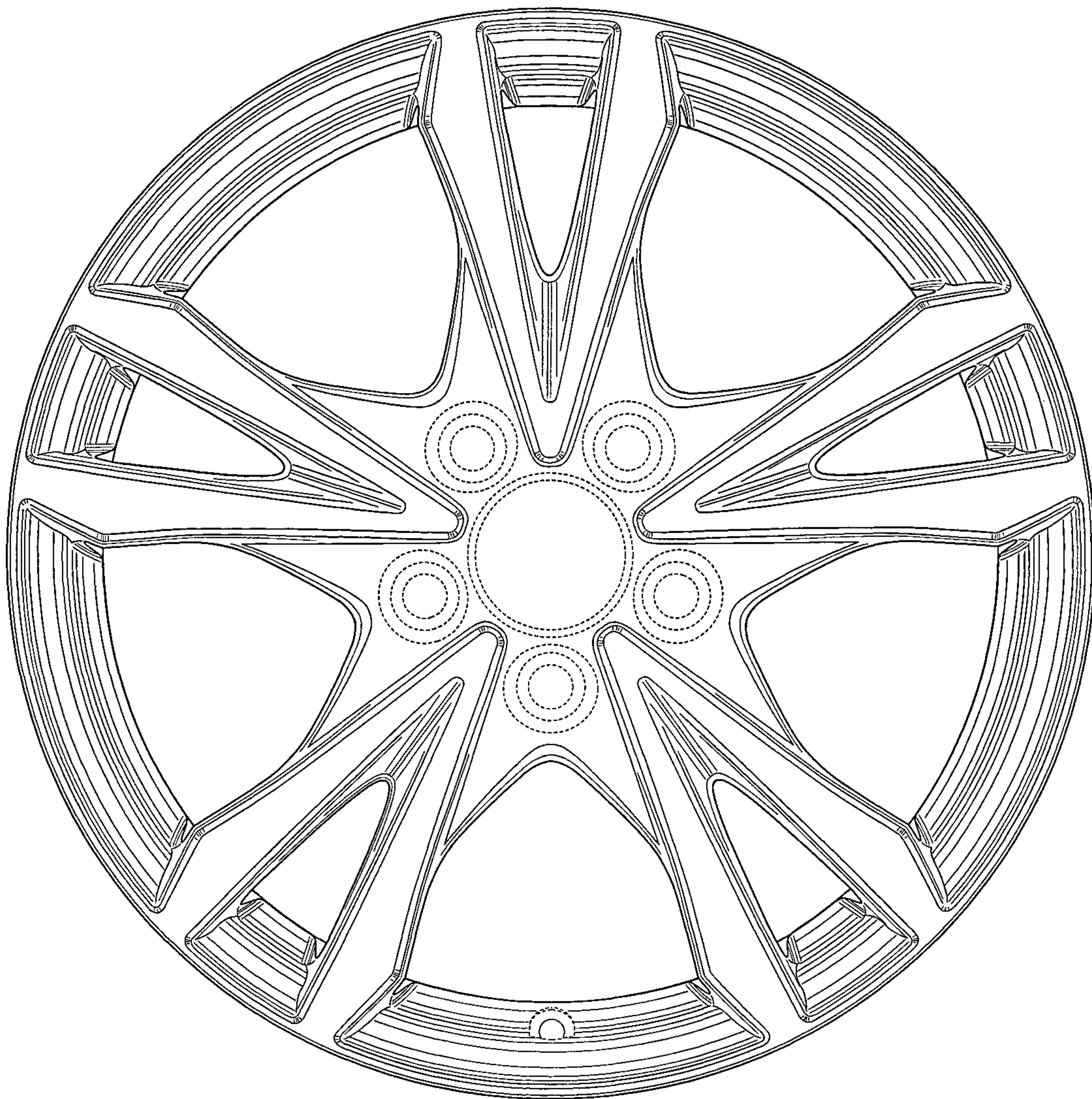


FIG.2

