



US00D680931S

(12) **United States Design Patent**  
**Schmeckpeper**

(10) **Patent No.:** **US D680,931 S**

(45) **Date of Patent:** **\*\* Apr. 30, 2013**

(54) **VEHICLE DECKLID**

D638,338 S \* 5/2011 Huet ..... D12/196  
D654,399 S \* 2/2012 Kumai et al. .... D12/91  
D663,666 S \* 7/2012 Matsumoto et al. .... D12/196

(75) Inventor: **Daniel E Schmeckpeper**, Clarkston, MI (US)

\* cited by examiner

(73) Assignee: **GM Global Technology Operations LLC**, Detroit, MI (US)

*Primary Examiner* — Melody N Brown

(74) *Attorney, Agent, or Firm* — Parks IP Law LLC; Mickki D. Murray

(\*\*) Term: **14 Years**

(21) Appl. No.: **29/407,552**

(57) **CLAIM**

The ornamental design for a vehicle decklid, as shown and described.

(22) Filed: **Nov. 30, 2011**

(51) **LOC (9) Cl.** ..... **12-16**

(52) **U.S. Cl.**

USPC ..... **D12/196**

(58) **Field of Classification Search** ..... D12/196,

D12/90-92, 86; 296/181.1, 181.5

See application file for complete search history.

**DESCRIPTION**

FIG. 1 is perspective view of a vehicle decklid showing the new design;

FIG. 2 is a front view, thereof;

FIG. 3 is a side view, thereof; and,

FIG. 4 is a top plan view, thereof.

(56) **References Cited**

**U.S. PATENT DOCUMENTS**

D620,860 S \* 8/2010 Froehlich ..... D12/196

**1 Claim, 1 Drawing Sheet**

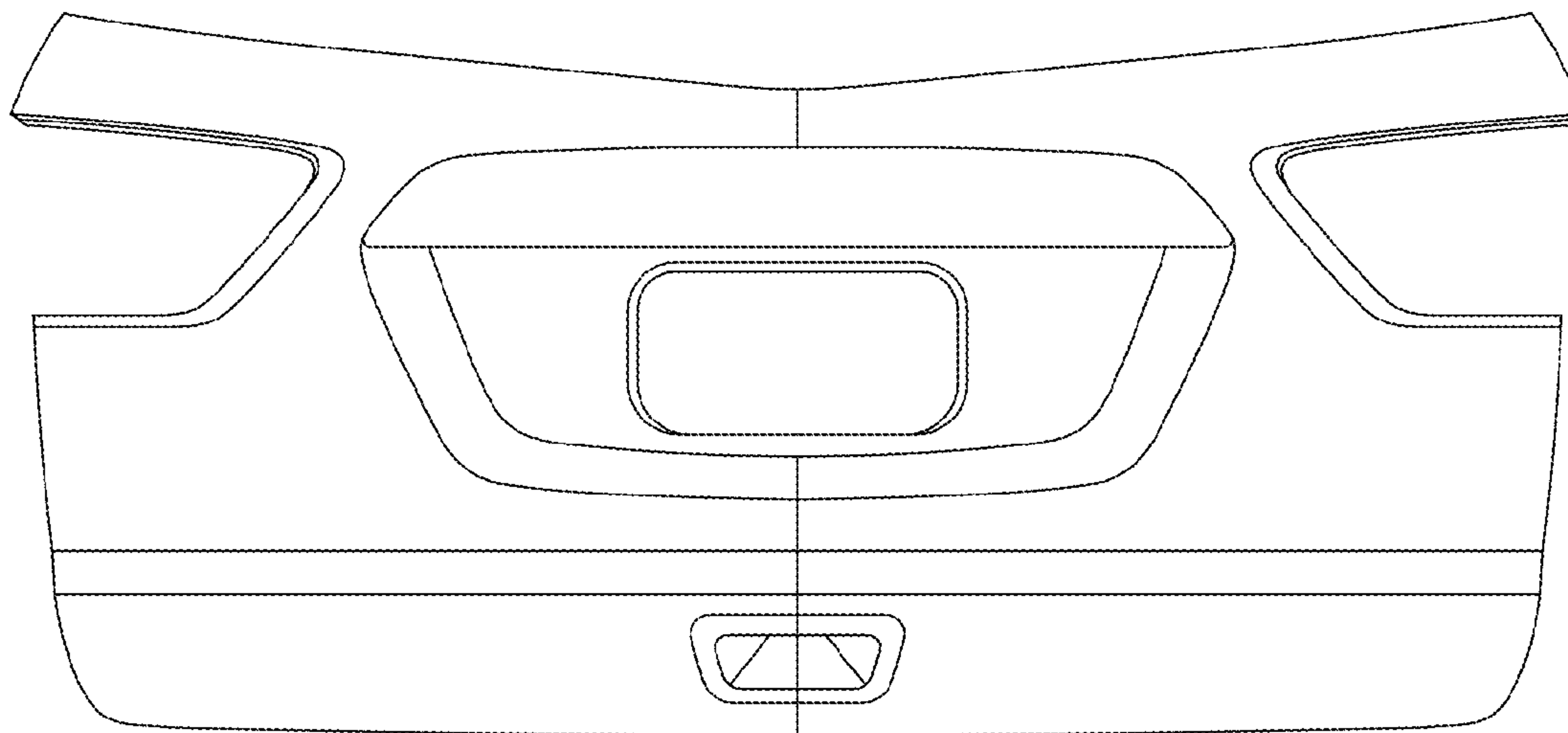


Fig-1

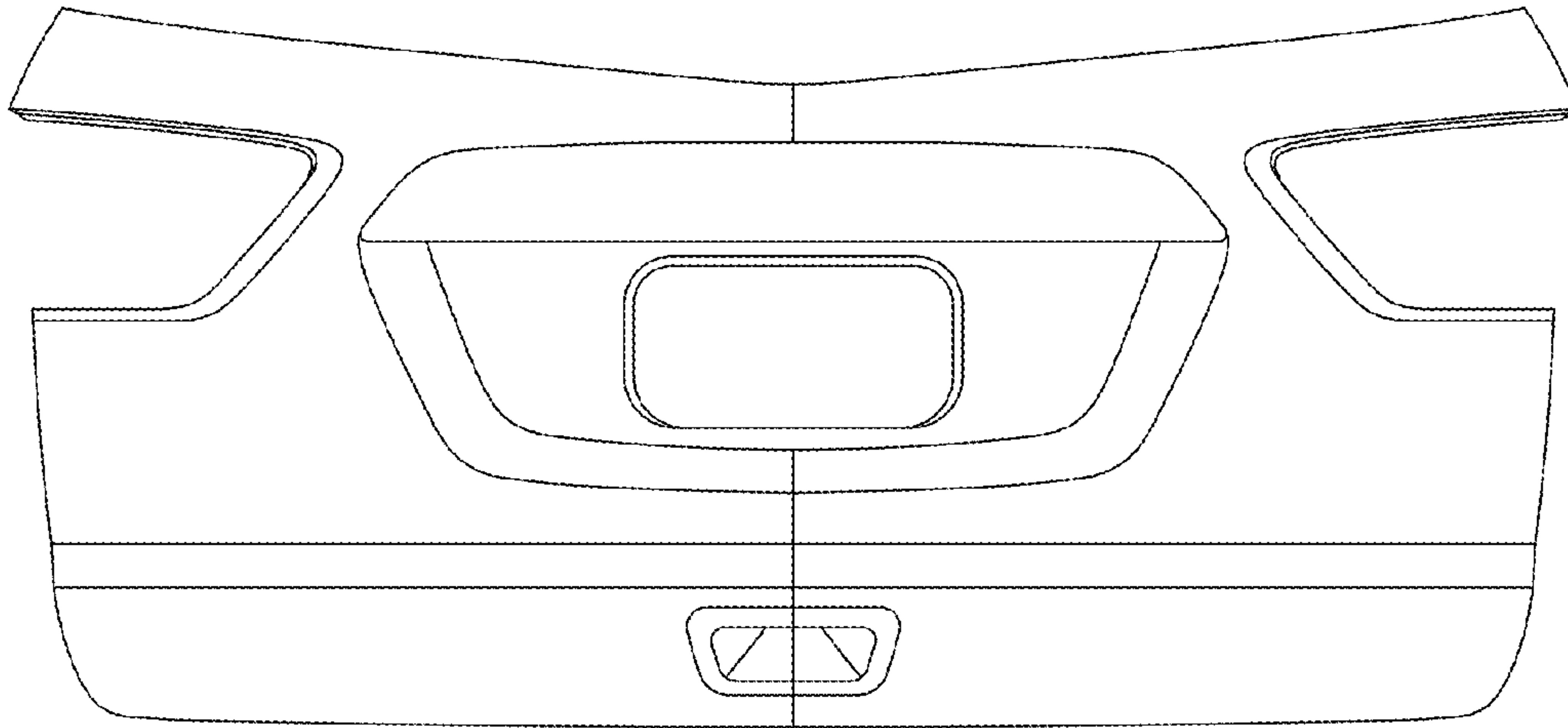
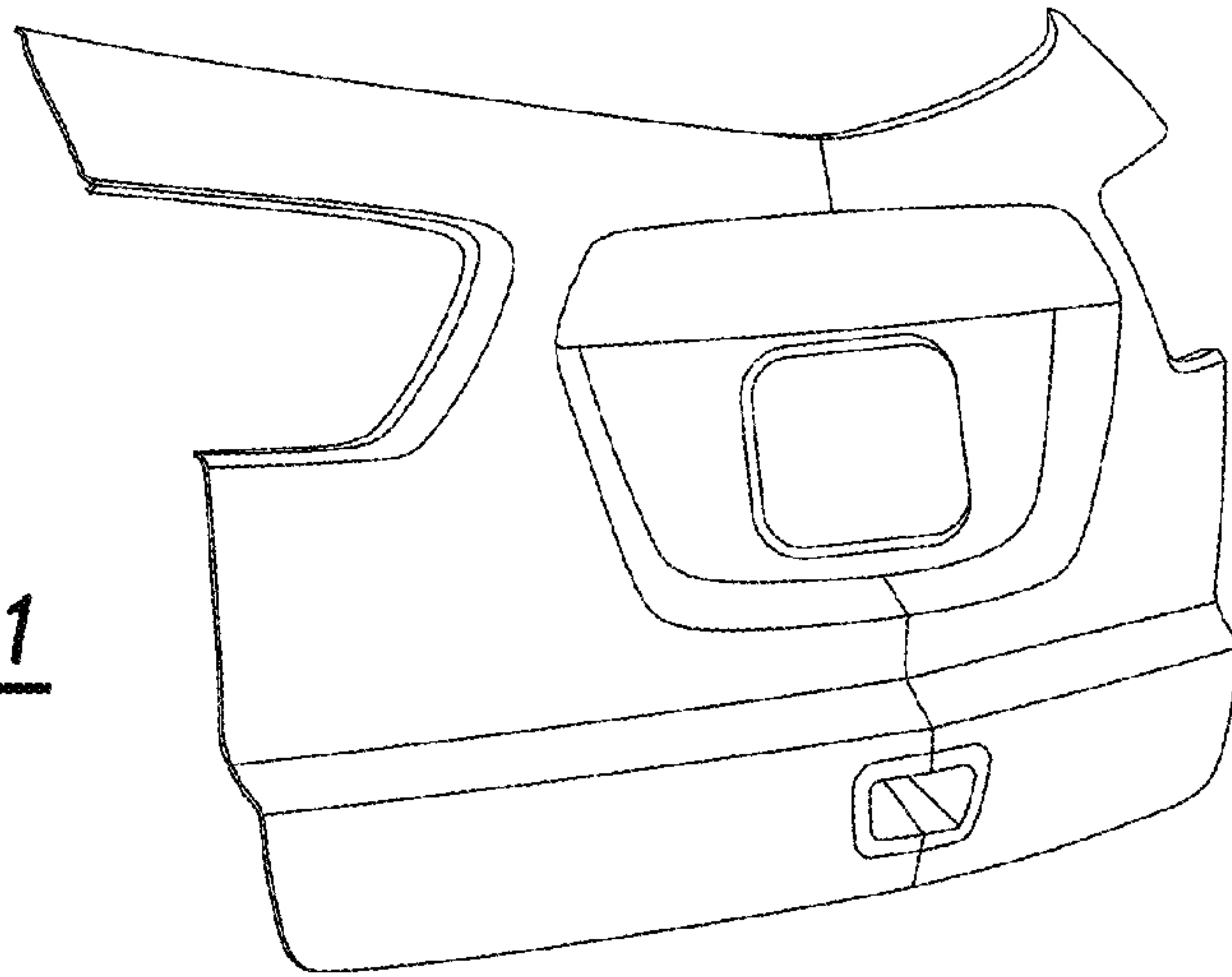


Fig-2

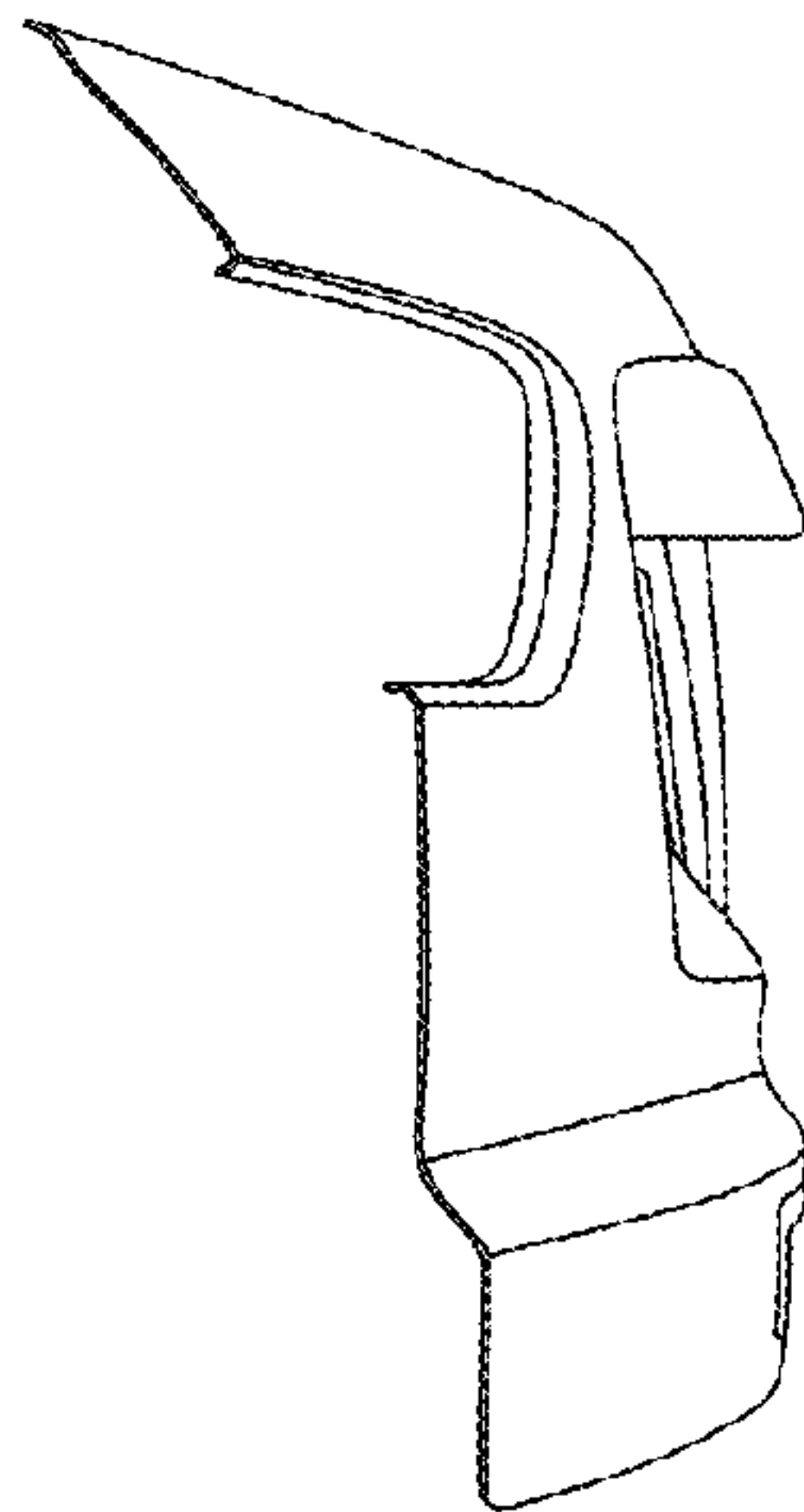


Fig-3

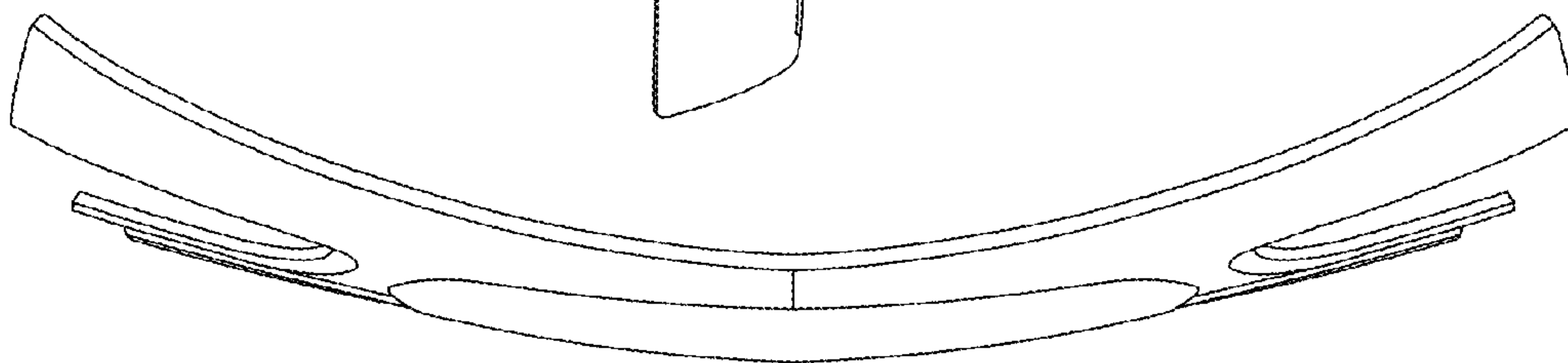


Fig-4