



US00D680926S

(12) **United States Design Patent**  
**Svensson et al.**

(10) **Patent No.:** **US D680,926 S**

(45) **Date of Patent:** **\*\* Apr. 30, 2013**

(54) **VEHICLE FENDER**

D575,704 S 8/2008 Spearman-Oxx  
D600,614 S \* 9/2009 Lamm ..... D12/184  
D604,681 S \* 11/2009 Nakamura ..... D12/184

(75) Inventors: **Christopher Svensson**, Chelmsford (GB); **Paul Campbell**, South Benfleet (GB); **Paul Wraith**, Colchester (GB)

\* cited by examiner

(73) Assignee: **Ford Global Technologies, LLC**, Dearborn, MI (US)

*Primary Examiner* — Melody Brown

(74) *Attorney, Agent, or Firm* — Damian Porcari

(\*\*) Term: **14 Years**

(57) **CLAIM**

The ornamental design for a vehicle fender, as shown and described.

(21) Appl. No.: **29/404,404**

**DESCRIPTION**

(22) Filed: **Oct. 20, 2011**

(51) **LOC (9) Cl.** ..... **12-16**

(52) **U.S. Cl.**  
USPC ..... **D12/184**

(58) **Field of Classification Search** ..... D12/184,  
D12/196, 90-92; 280/152.1, 847-849, 851;  
296/181.1, 181.5

See application file for complete search history.

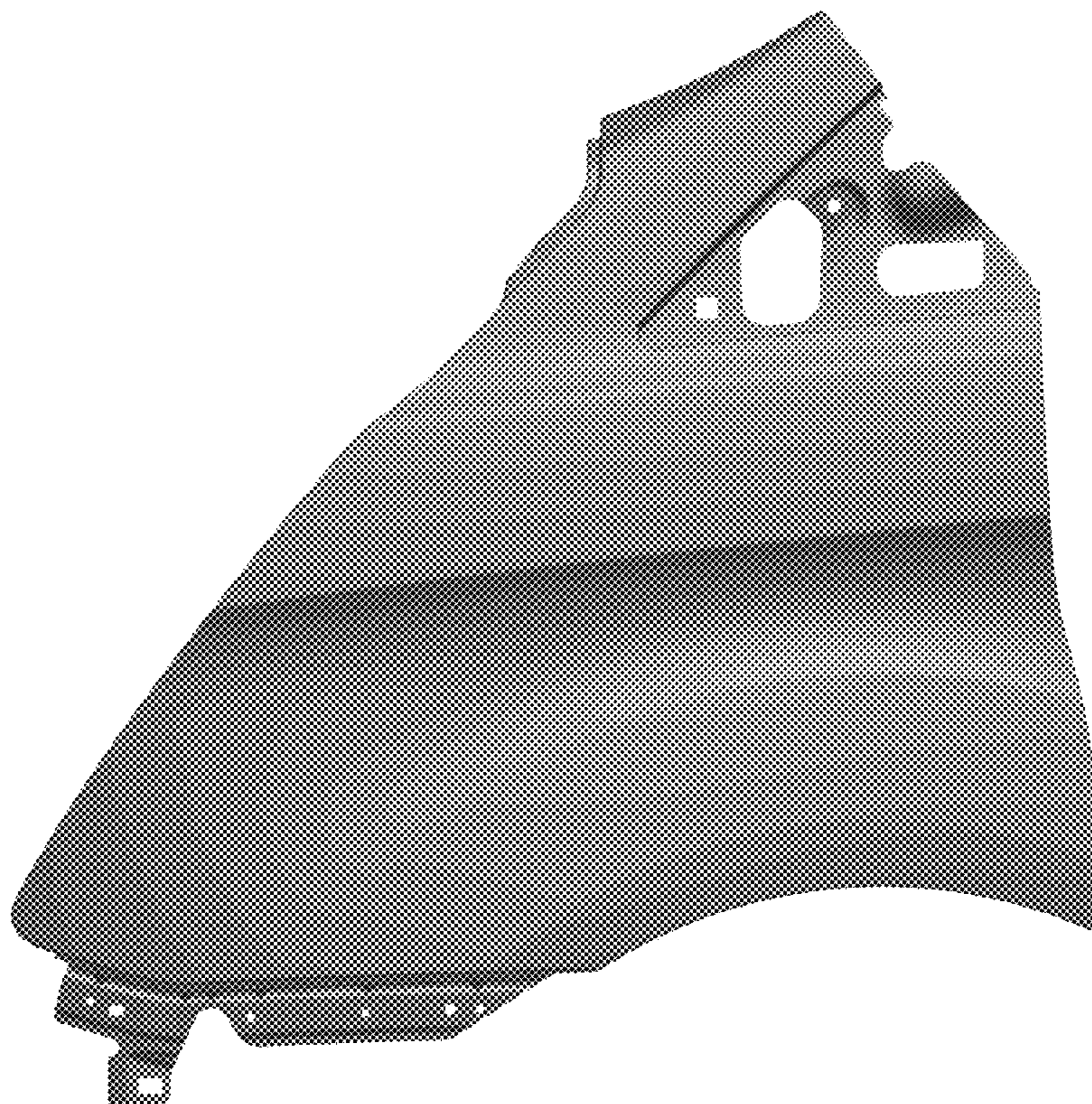
FIG. 1 is a left side elevational view of a left vehicle fender (the right vehicle fender being a mirror image and is not shown);  
FIG. 2 is a right side elevational view of the vehicle fender;  
FIG. 3 is a front elevational view of the vehicle fender;  
FIG. 4 is a rear elevational view of the vehicle fender;  
FIG. 5 is a top plan view of the vehicle fender;  
FIG. 6 is a bottom plan view of the vehicle fender;  
FIG. 7 is a perspective view of the vehicle fender; and,  
FIG. 8 is another perspective view of the vehicle fender.

(56) **References Cited**

**U.S. PATENT DOCUMENTS**

D507,514 S \* 7/2005 Nagura et al. .... D12/196

**1 Claim, 8 Drawing Sheets**



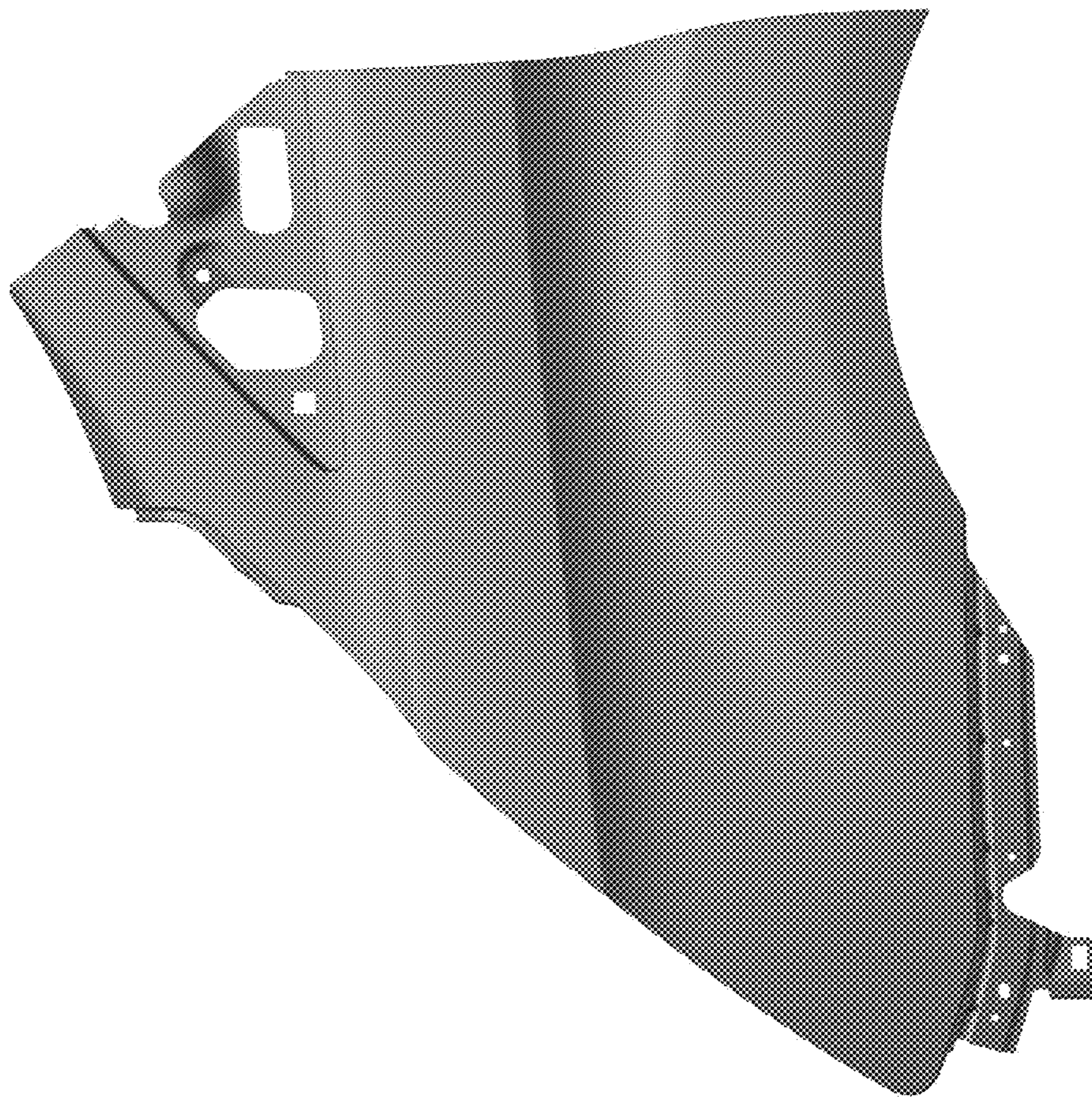


Figure 1

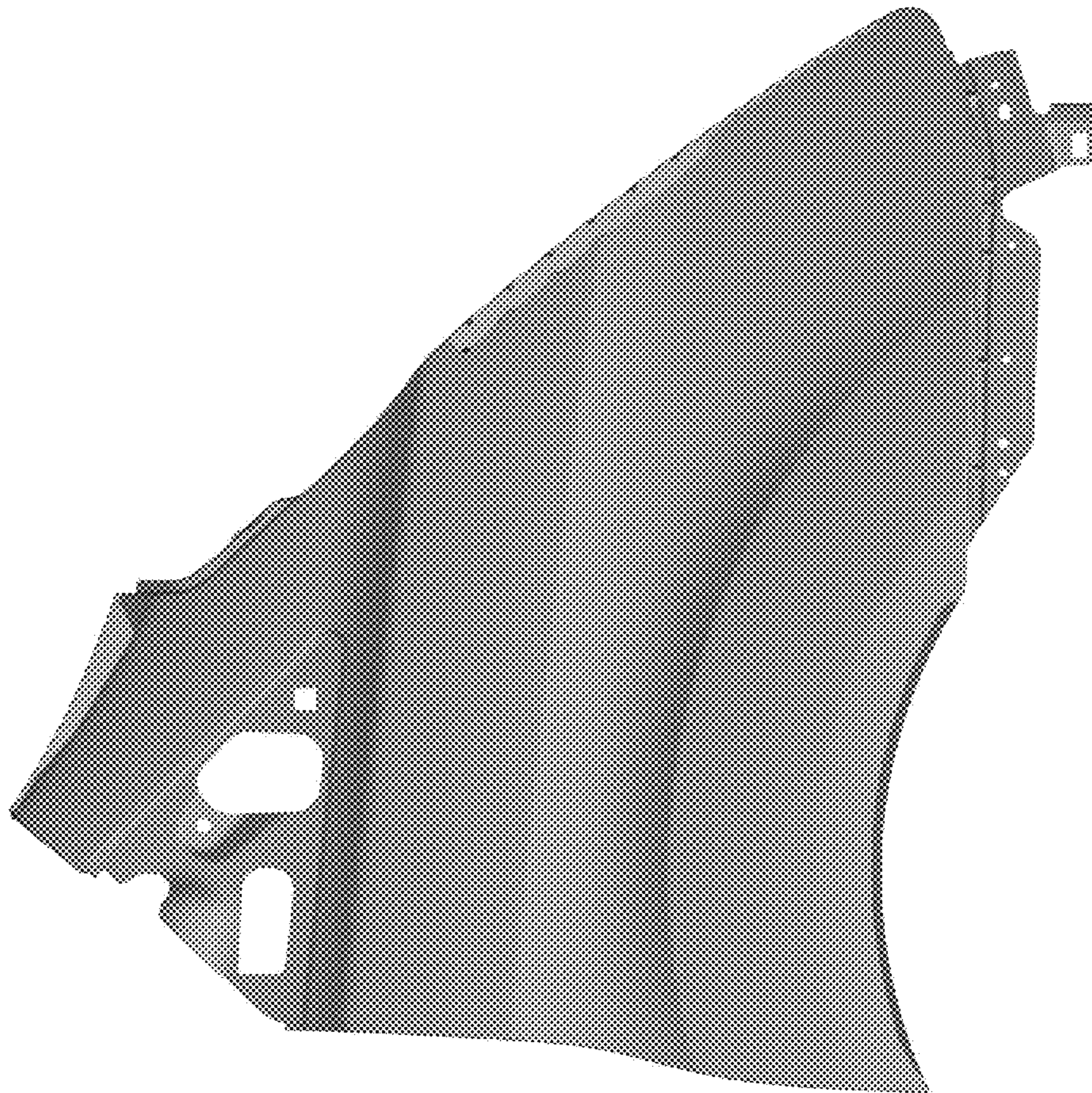
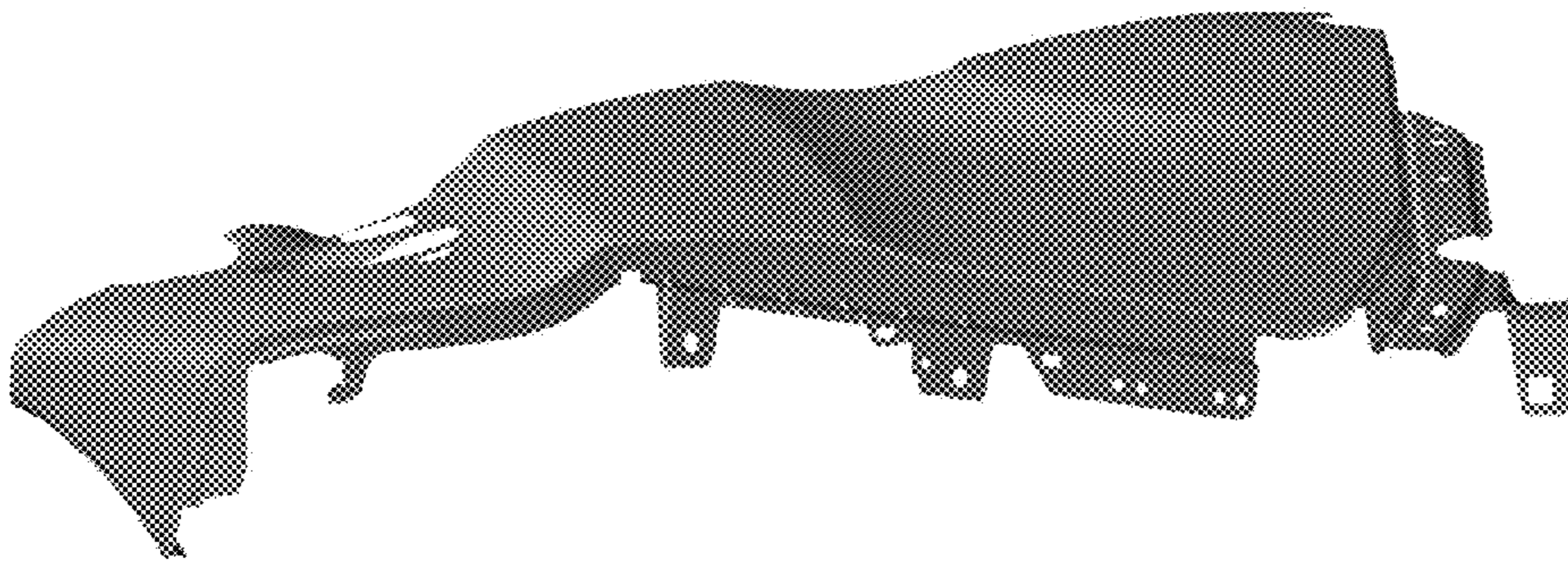


Figure 2

Figure 3



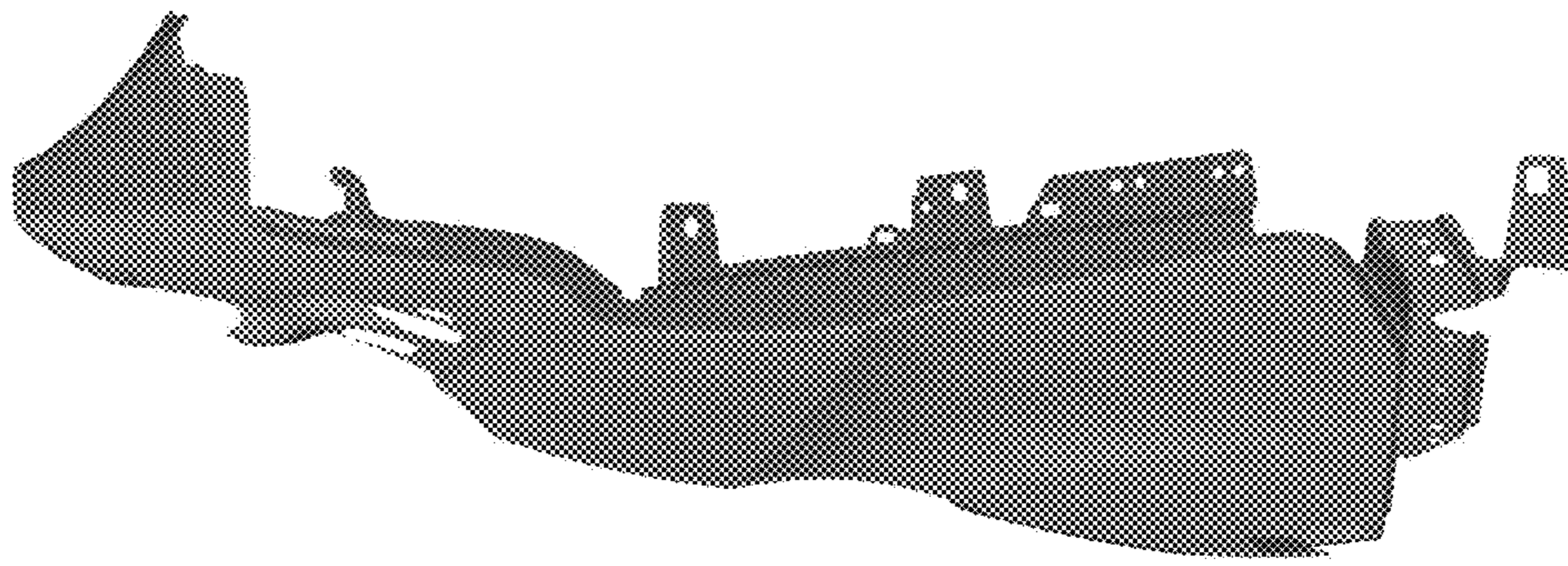


Figure 4

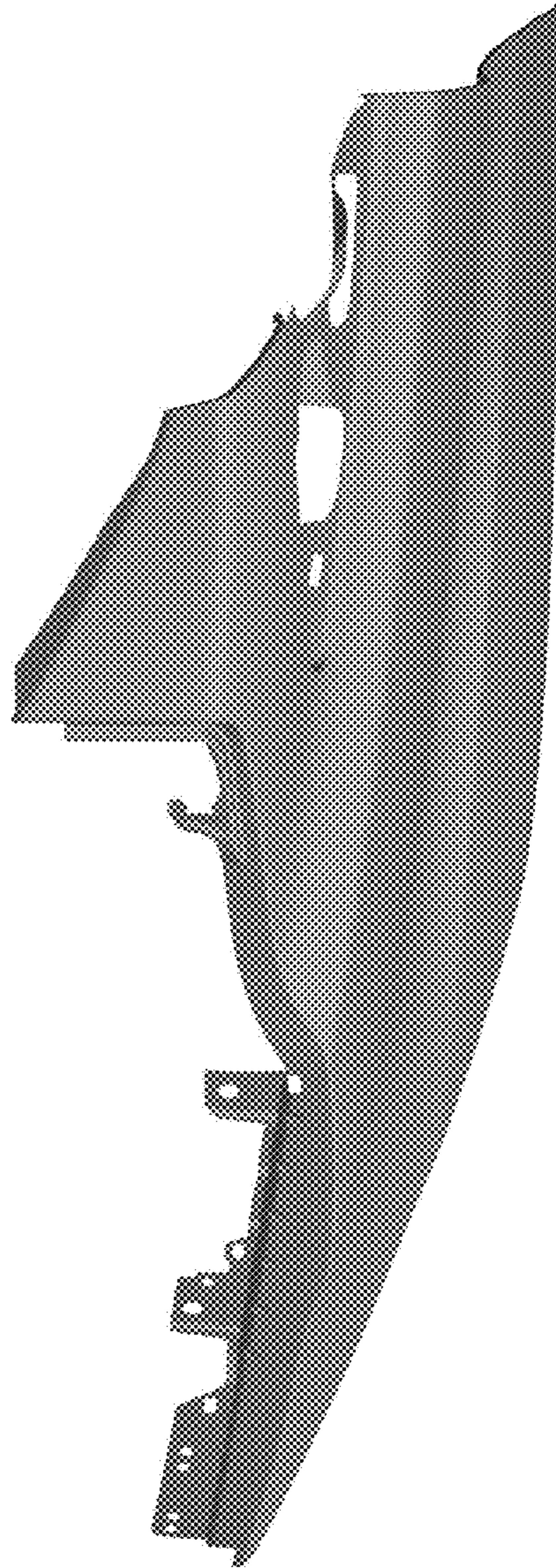


Figure 5

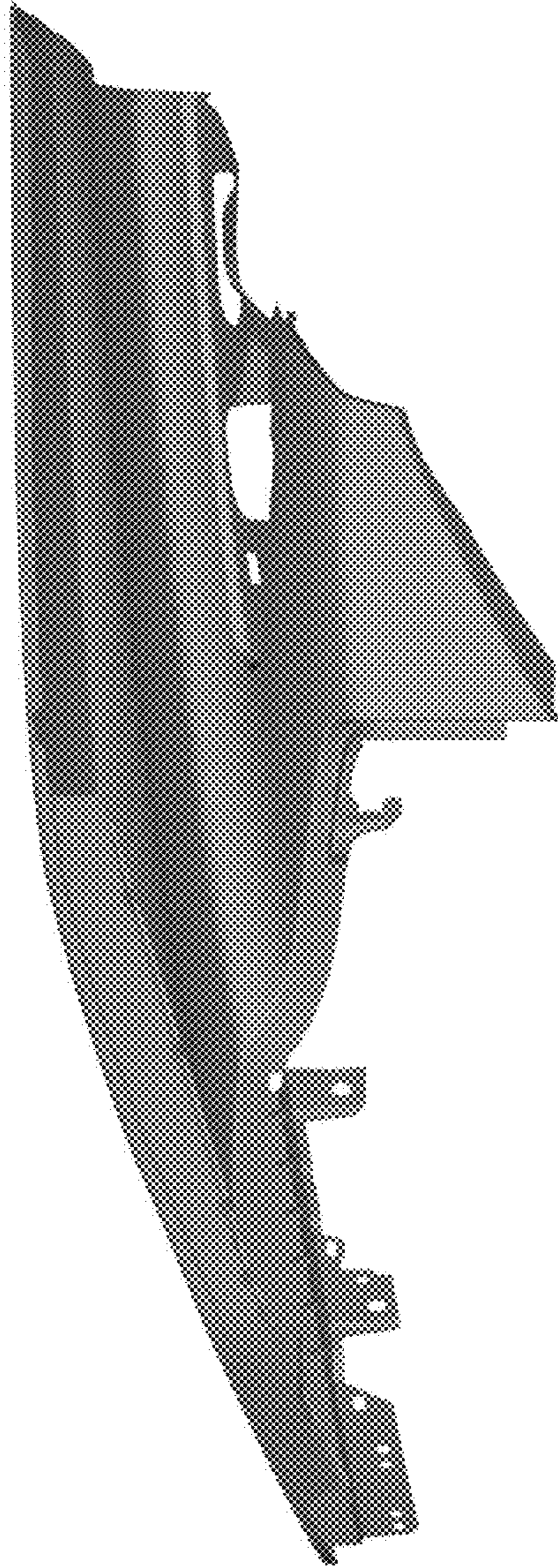


Figure 6

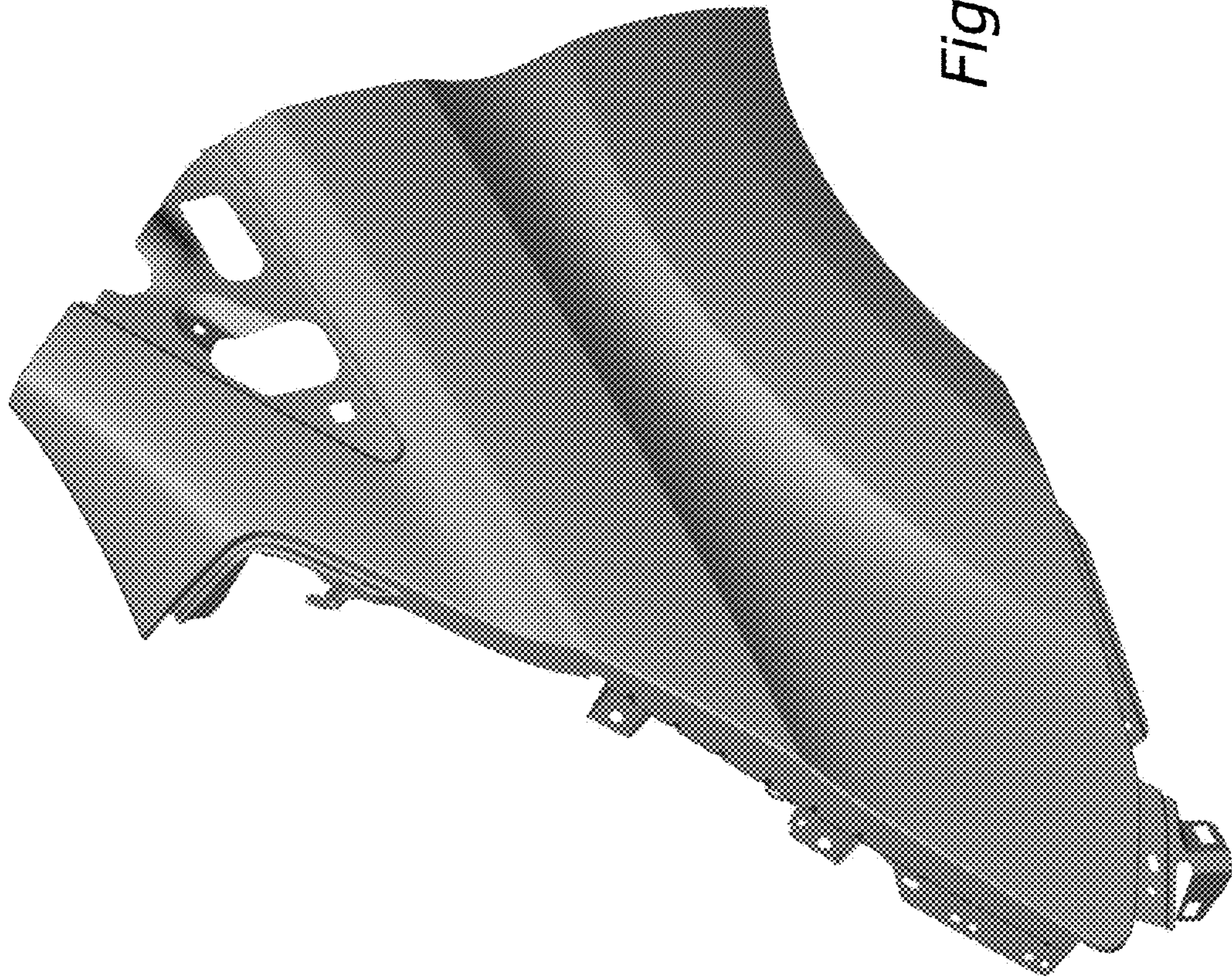


Figure 7



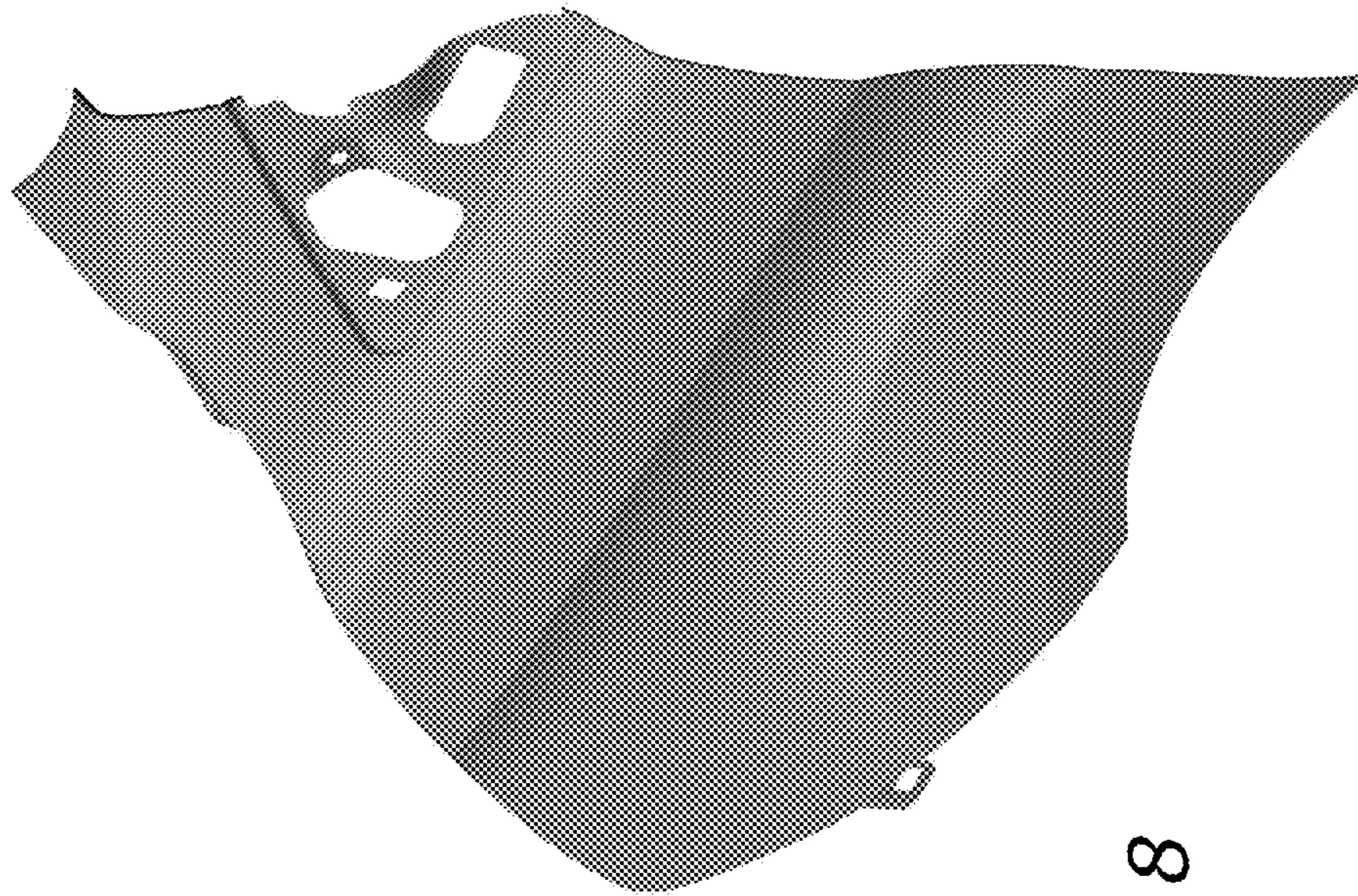


Figure 8