



US00D680919S

(12) **United States Design Patent**  
**Behmer et al.**

(10) **Patent No.:** **US D680,919 S**

(45) **Date of Patent:** **\*\* Apr. 30, 2013**

(54) **VEHICLE FRONT UPPER GRILLE**

D585,340 S \* 1/2009 Sinkwitz ..... D12/163  
D664,481 S \* 7/2012 Platto et al. .... D12/163  
D664,900 S \* 8/2012 Platto et al. .... D12/163

(75) Inventors: **Darrell Paul Behmer**, Novi, MI (US);  
**Melvin Betancourt**, Shelby Township,  
MI (US); **Keith Rogman**, Fenton, MI  
(US); **Garen Nicoghosian**, Bloomfield  
Hills, MI (US); **John Kim**, Ann Arbor,  
MI (US)

**OTHER PUBLICATIONS**

All About Cars and Trucks, Aug. 17, 2011, 2013 Ford Mustang Spy  
Photos.  
Motorauthority, Jun. 19, 2011, 2013 Ford Mustang Shelby GT500  
spy shots.

(73) Assignee: **Ford Motor Company**, Dearborn, MI  
(US)

\* cited by examiner

(\*\*) Term: **14 Years**

*Primary Examiner* — Melody N Brown

(74) *Attorney, Agent, or Firm* — Damian Porcari

(21) Appl. No.: **29/407,532**

(57) **CLAIM**

The ornamental design for a vehicle front upper grille, as  
shown and described.

(22) Filed: **Nov. 30, 2011**

**DESCRIPTION**

(51) **LOC (9) Cl.** ..... **12-16**

(52) **U.S. Cl.**

USPC ..... **D12/163**

(58) **Field of Classification Search** ..... D12/163,  
D12/196, 171, 216, 169, 86, 90-92; 180/68.1,  
180/68.6; 296/193.11

See application file for complete search history.

FIG. 1 is a top plan view of a vehicle front upper grille;  
FIG. 2 is a bottom plan view of the vehicle front upper grille;  
FIG. 3 is a front elevational view of the vehicle front upper  
grille;  
FIG. 4 is a left side elevational view of the vehicle front upper  
grille;  
FIG. 5 is a right side elevational view of the vehicle front  
upper grille;  
FIG. 6 is a perspective view of the vehicle front upper grille;  
and,  
FIG. 7 is another perspective view of the vehicle front upper  
grille.

(56) **References Cited**

**U.S. PATENT DOCUMENTS**

D535,223 S 1/2007 Gaffka  
D569,772 S 5/2008 Saridakis  
D577,636 S 9/2008 Saridakis  
D584,196 S \* 1/2009 Ebel et al. .... D12/163

**1 Claim, 7 Drawing Sheets**



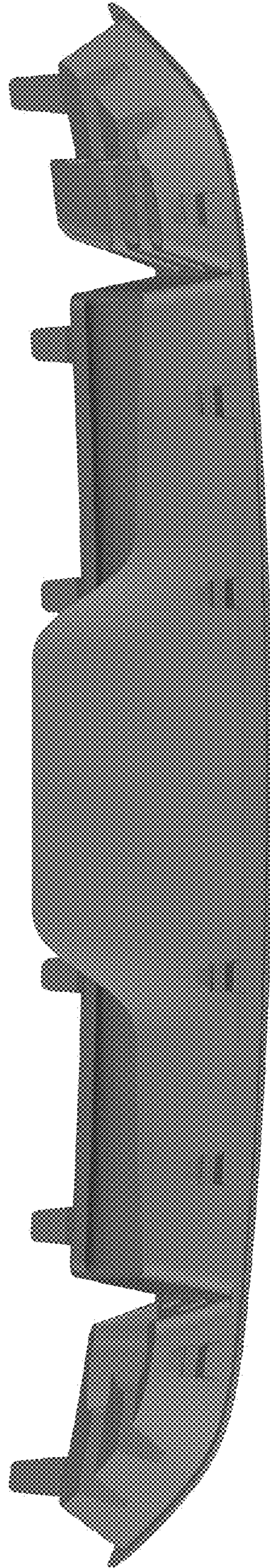


Figure 1

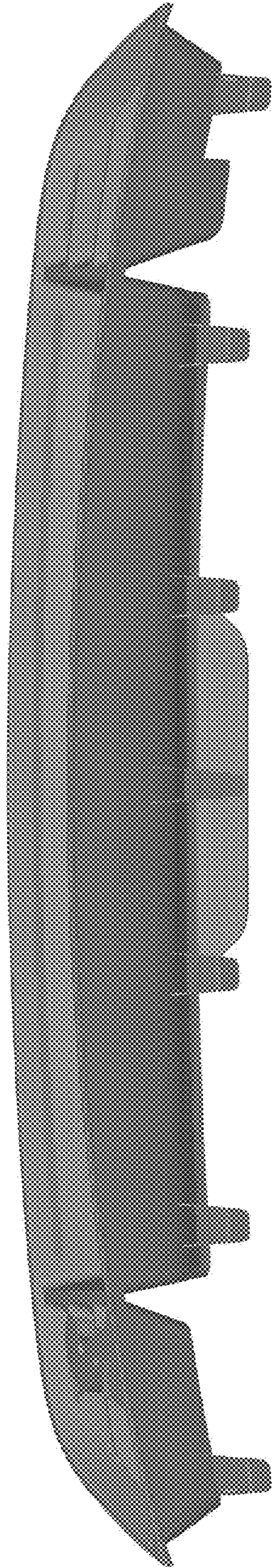


Figure 2

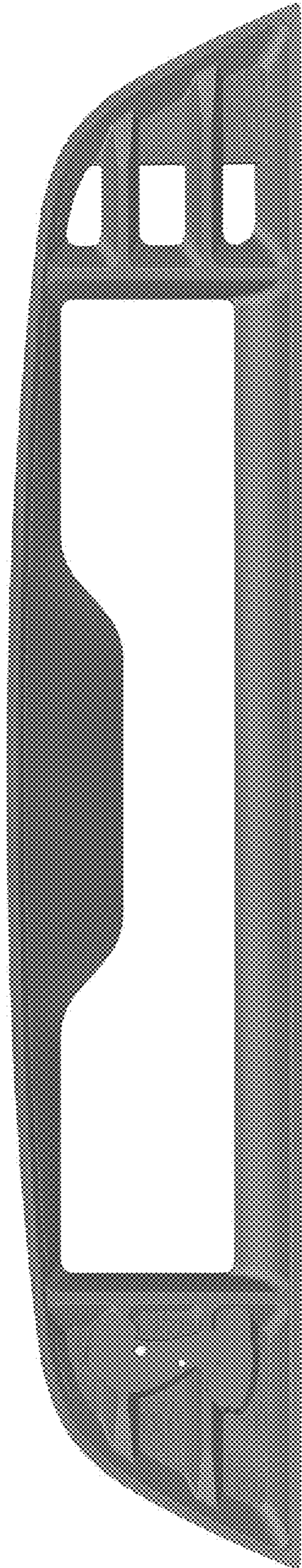


Figure 3

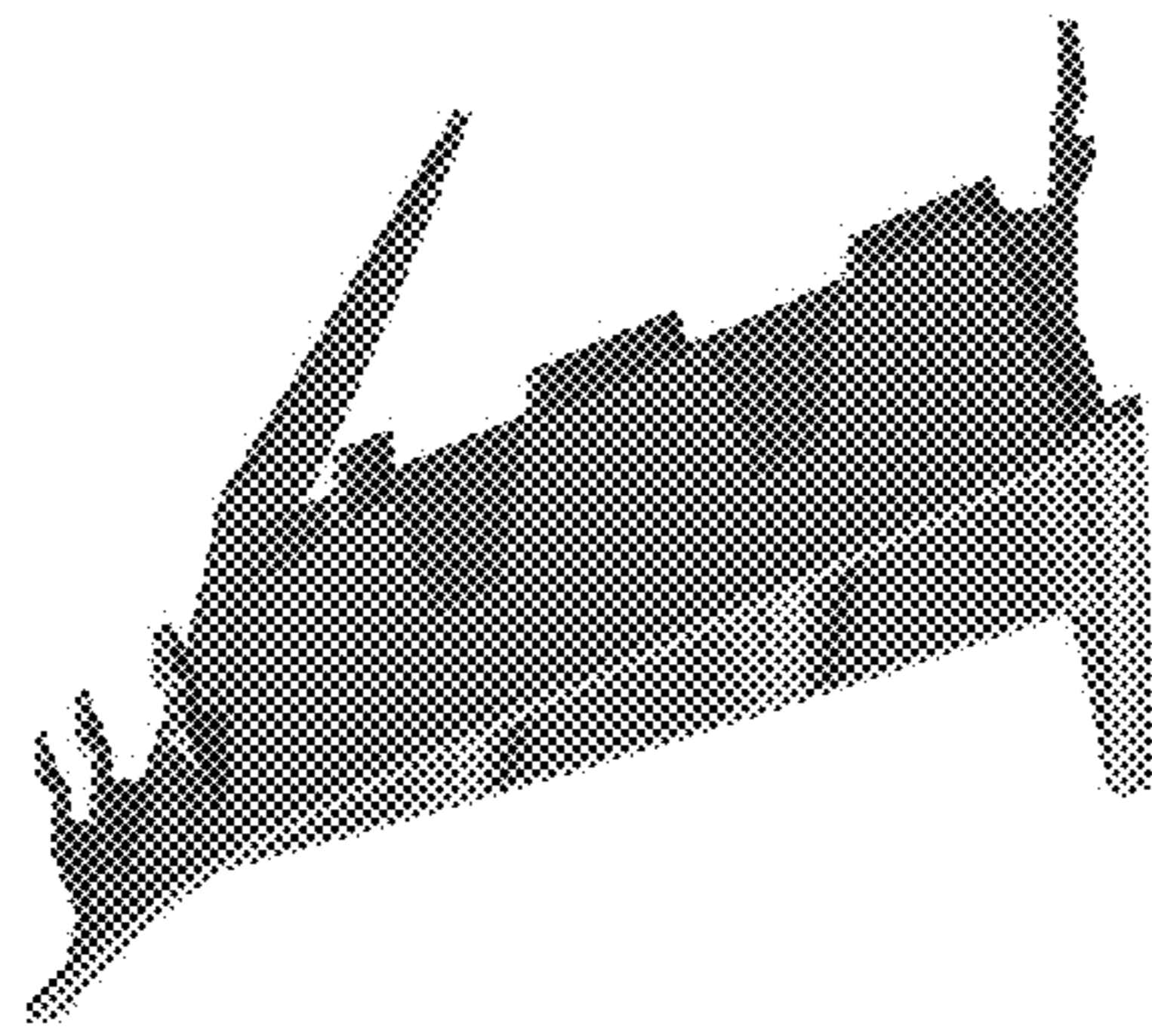


Figure 4

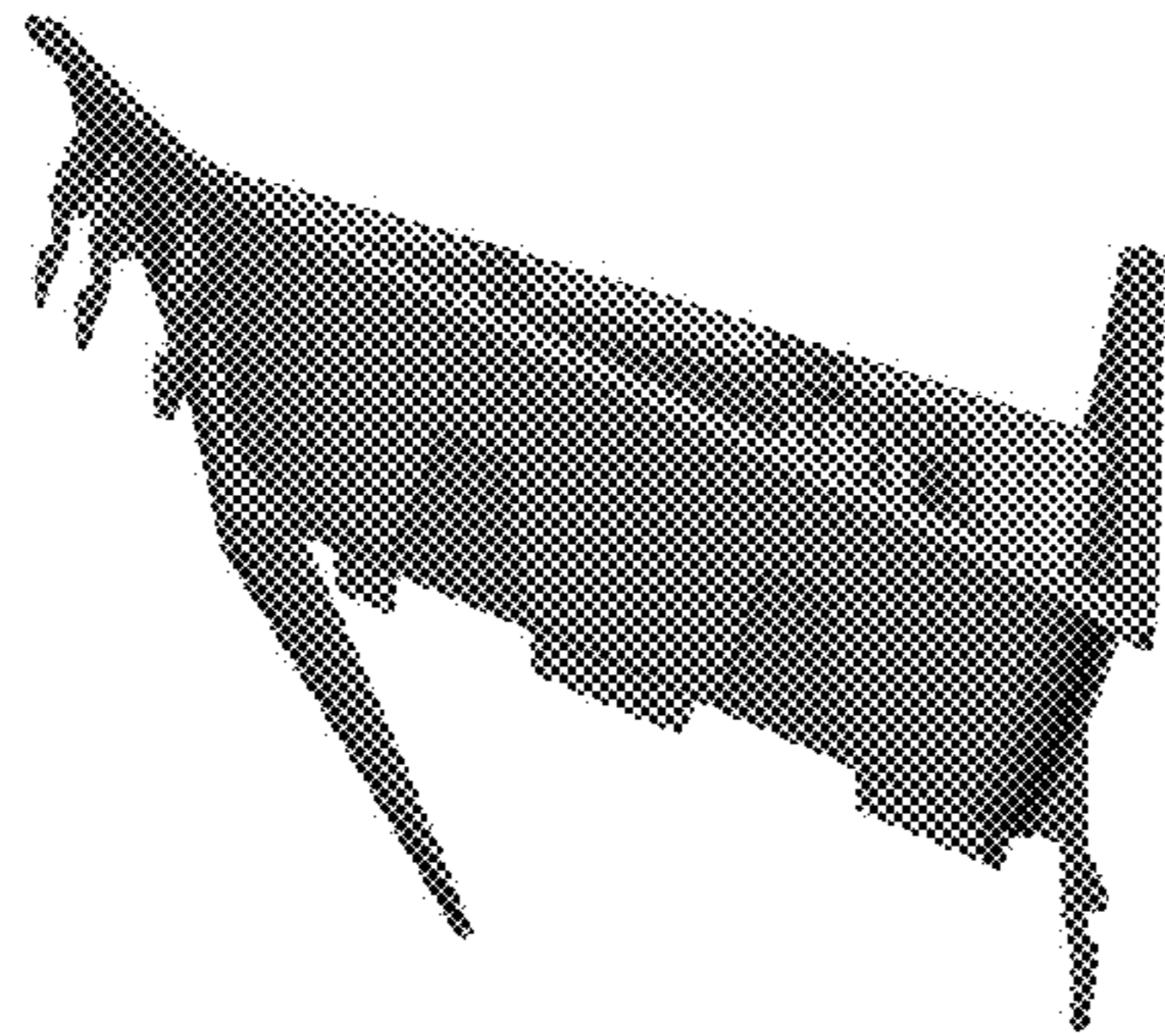


Figure 5

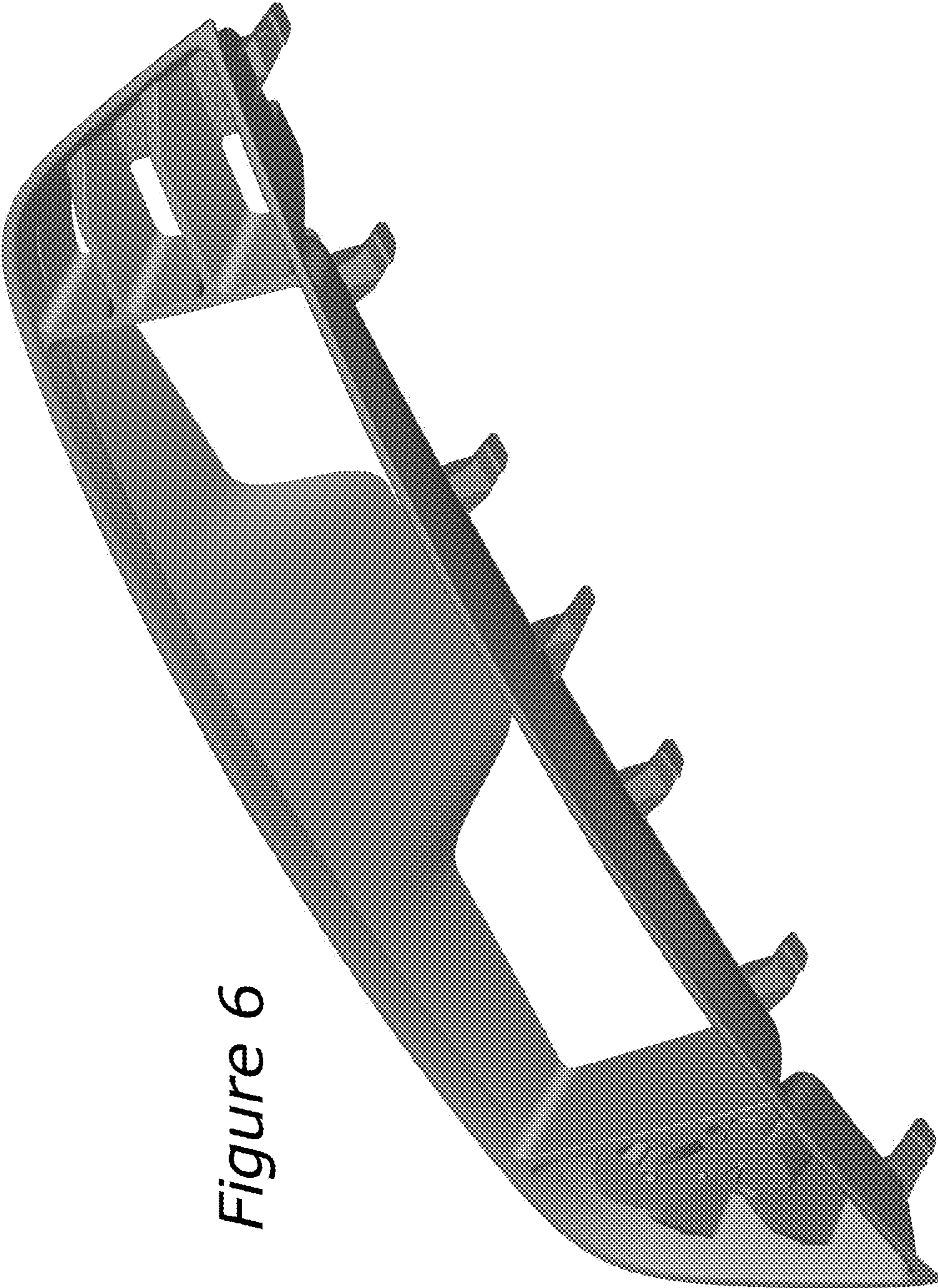


Figure 6

Figure 7

