



US00D680917S

(12) **United States Design Patent**
Xu et al.

(10) **Patent No.:** **US D680,917 S**
(45) **Date of Patent:** **** Apr. 30, 2013**

(54) **FRONT GRILLE FOR A VEHICLE**
(75) Inventors: **Xiaodi Xu**, Shenzhen (CN); **Jichuang Zhang**, Shenzhen (CN)
(73) Assignee: **BYD Company Limited** (CN)
(**) Term: **14 Years**
(21) Appl. No.: **29/394,576**
(22) Filed: **Jun. 17, 2011**

D575,688 S * 8/2008 Miyata et al. D12/163
D584,198 S * 1/2009 Tamura D12/163
D592,564 S * 5/2009 Kusamoto et al. D12/163
D602,823 S * 10/2009 Tan et al. D12/169
D610,052 S * 2/2010 Watanabe D12/163
D630,989 S * 1/2011 Nowells D12/196
D634,675 S * 3/2011 Lamm et al. D12/163
D651,142 S * 12/2011 Fushimi D12/163

* cited by examiner

Primary Examiner — Melody N Brown

(74) *Attorney, Agent, or Firm* — Squire Sanders (US) LLP

(30) **Foreign Application Priority Data**
Dec. 20, 2010 (CN) 2010 3 0694732
(51) **LOC (9) Cl.** **12-16**
(52) **U.S. Cl.**
USPC **D12/163**
(58) **Field of Classification Search** D12/163,
D12/196, 171, 169, 216, 90-92, 86; 180/68.1,
180/68.6; 296/193.11
See application file for complete search history.

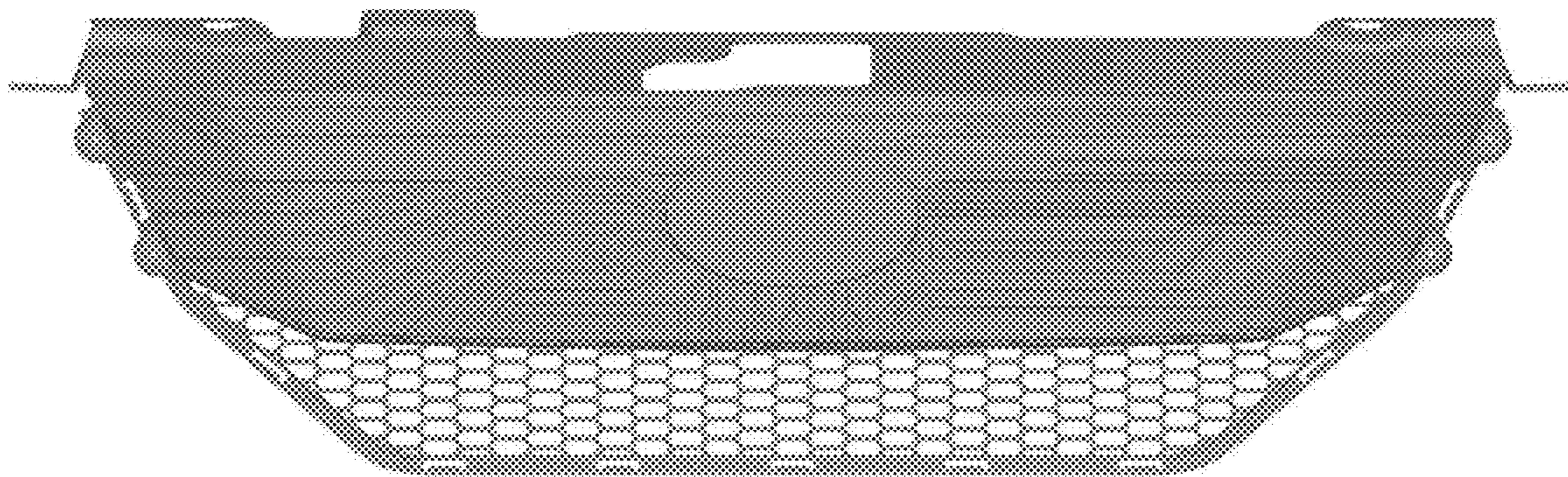
(57) **CLAIM**
The ornamental design for a front grille for a vehicle, substantially as shown and described.

(56) **References Cited**
U.S. PATENT DOCUMENTS
D562,196 S * 2/2008 Saito D12/163
D573,924 S * 7/2008 Tachibana D12/163

DESCRIPTION

FIG. 1 is a front view of a front grille for a vehicle;
FIG. 2 is a rear view of the front grille for a vehicle;
FIG. 3 is a left side view of the front grille for a vehicle;
FIG. 4 is a right side view of the front grille for a vehicle;
FIG. 5 is a top view of the front grille for a vehicle;
FIG. 6 is a bottom view of the front grille for a vehicle; and,
FIG. 7 is a perspective view of the front grille for a vehicle.

1 Claim, 7 Drawing Sheets



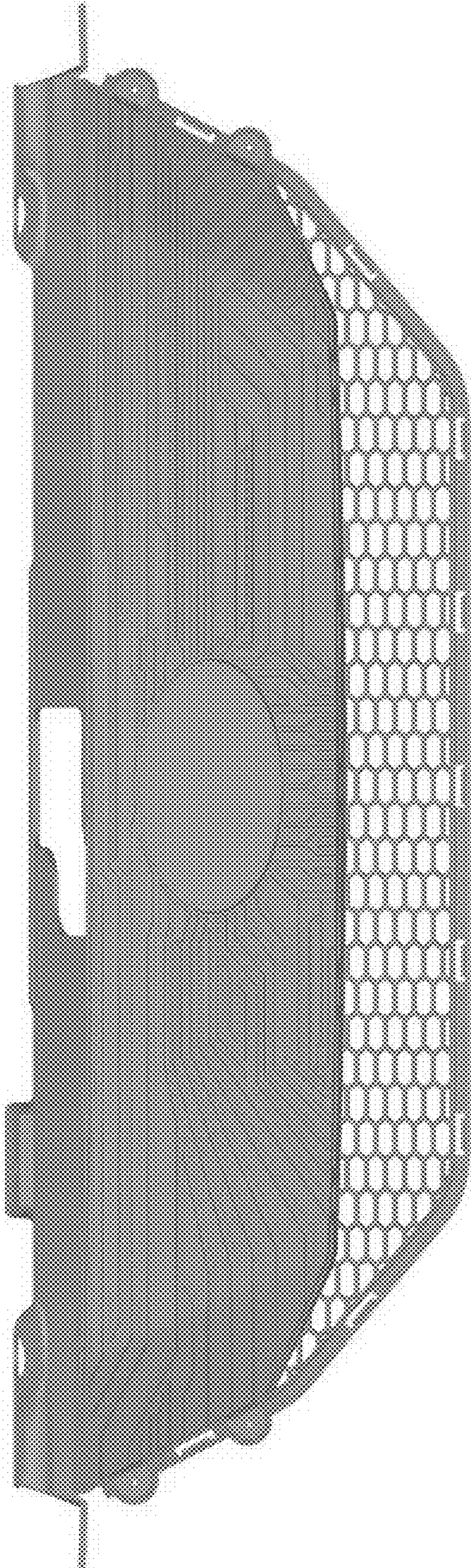


FIG. 1

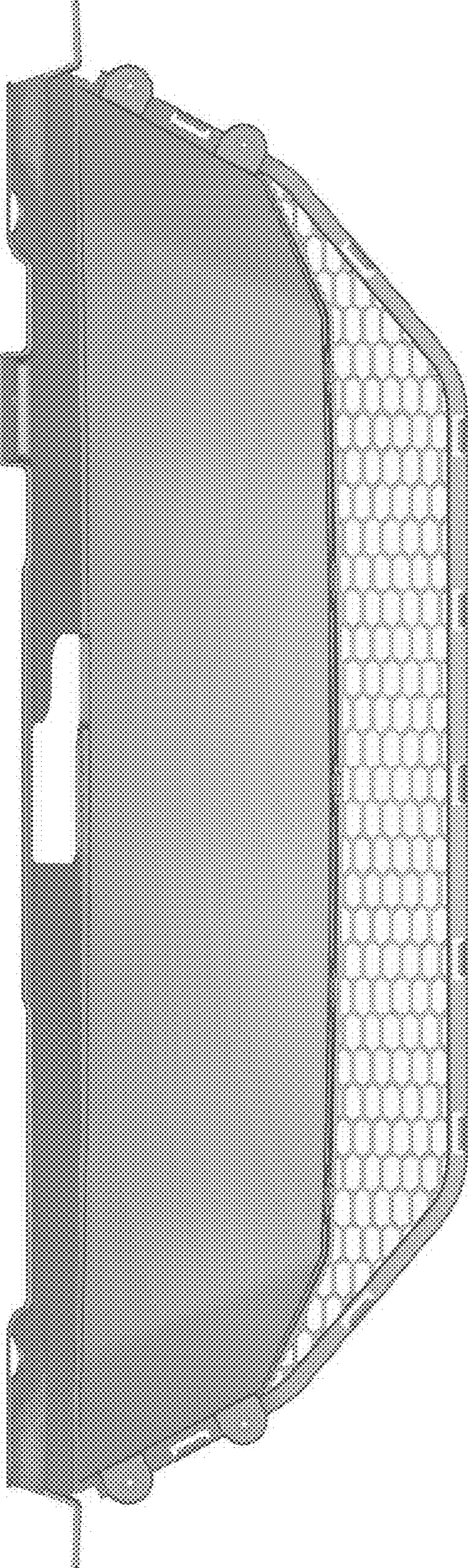


FIG. 2

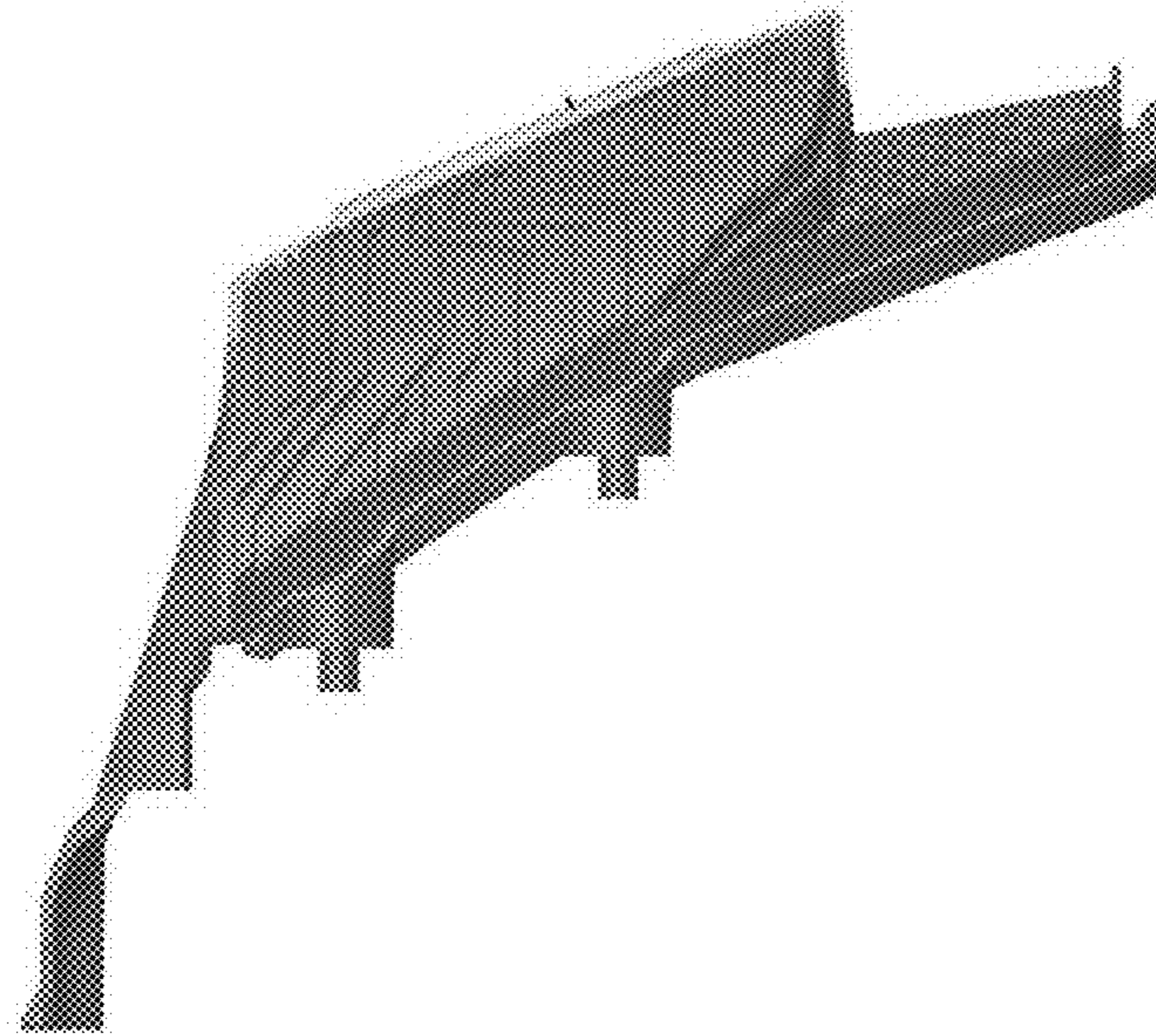


FIG. 3

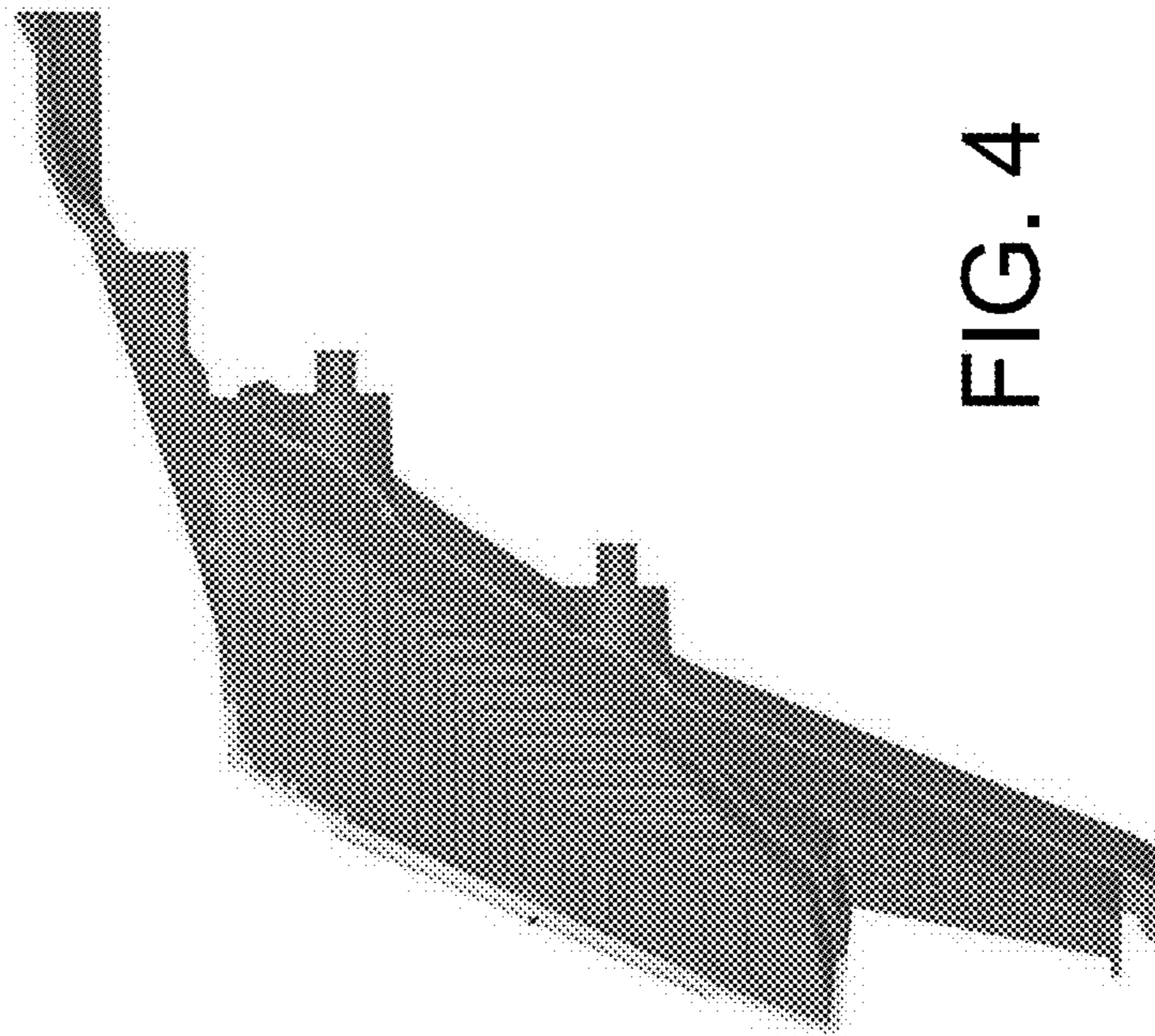


FIG. 4

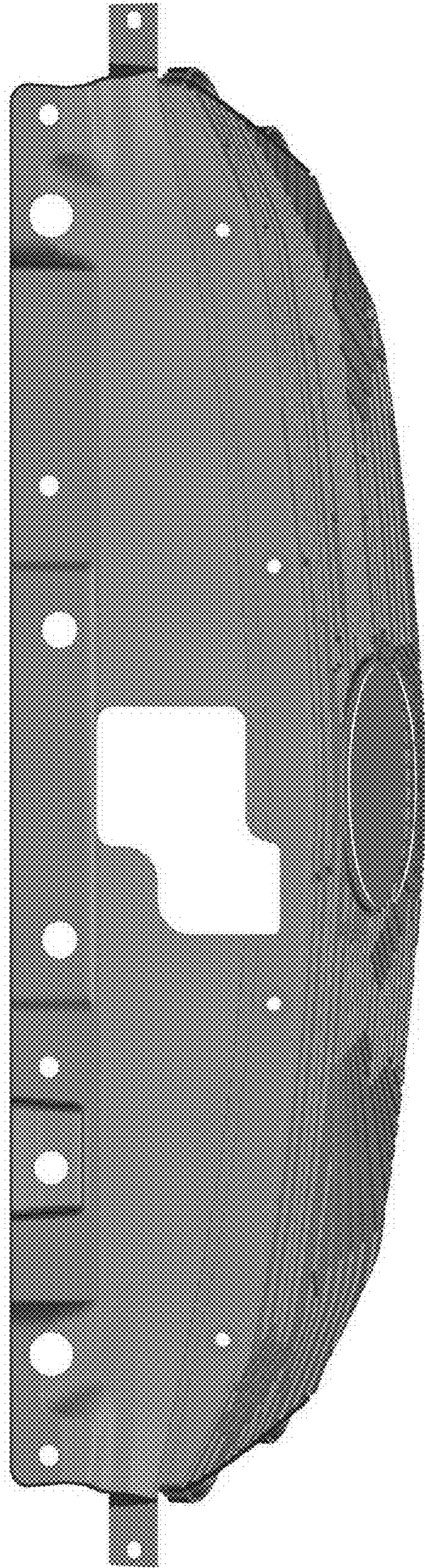


FIG. 5

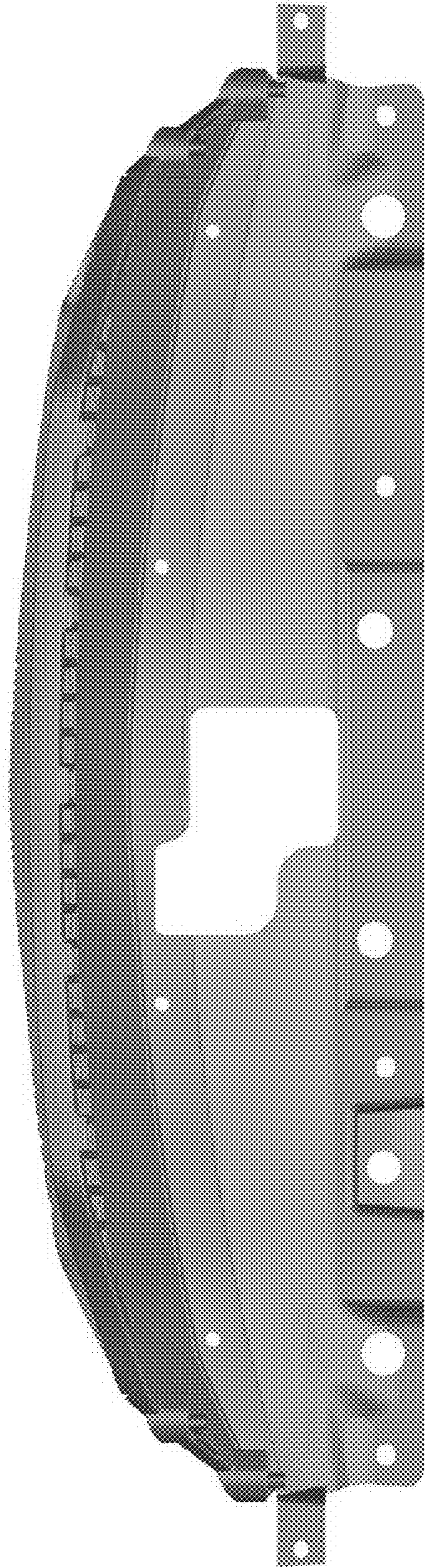


FIG. 6

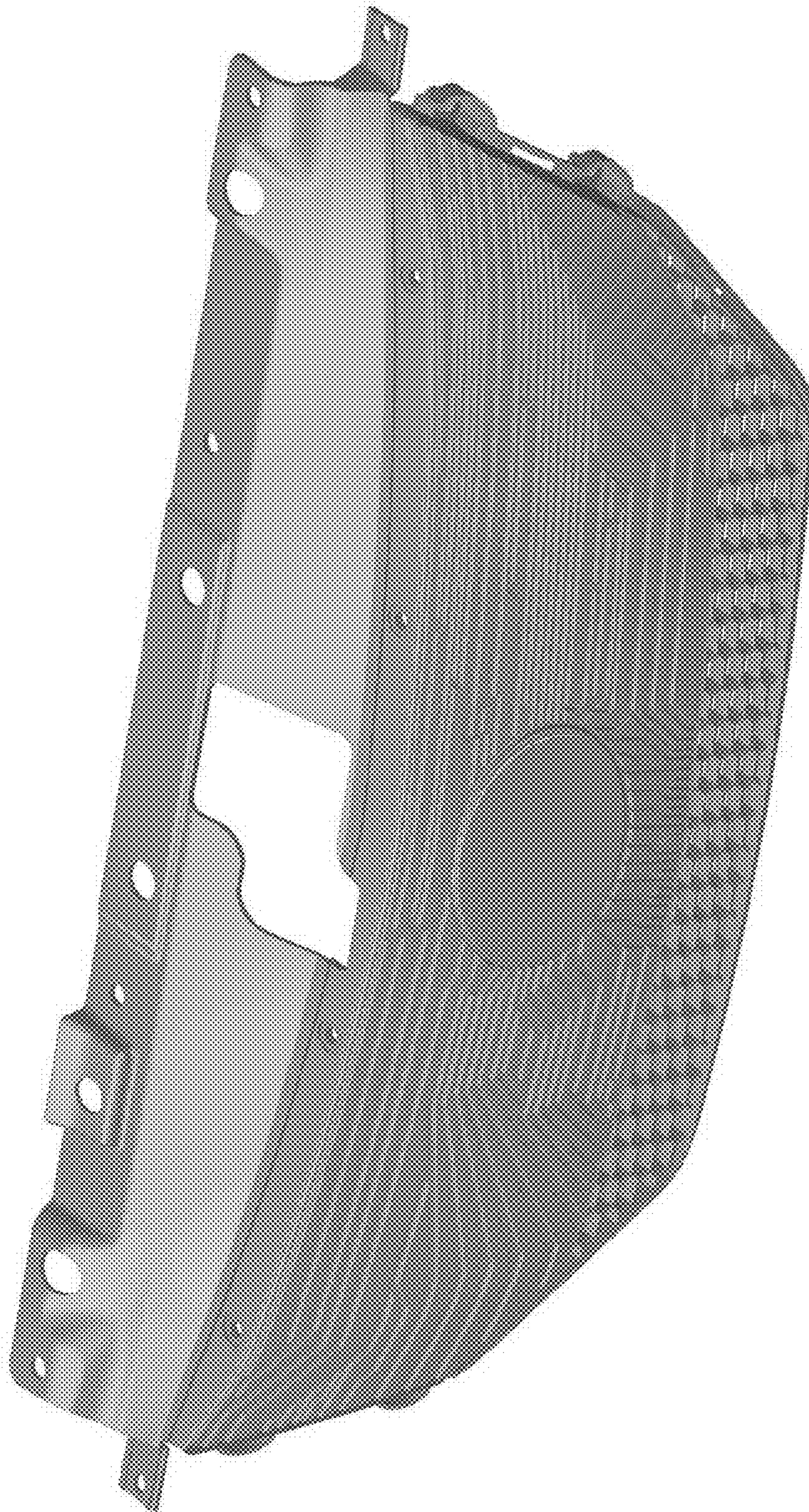


FIG. 7