



US00D680915S

(12) **United States Design Patent**
May

(10) **Patent No.:** **US D680,915 S**
(45) **Date of Patent:** **** Apr. 30, 2013**

(54) **MOTORCYCLE TAPPET COVER**

(75) Inventor: **Darron B. May**, Stillwater, MN (US)

(73) Assignee: **Kuryakyn Holdings, LLC**, Somerset, WI (US)

(**) Term: **14 Years**

(21) Appl. No.: **29/395,447**

(22) Filed: **Jan. 23, 2012**

(51) **LOC (9) Cl.** **12-11**

(52) **U.S. Cl.**

USPC **D12/126**

(58) **Field of Classification Search** D12/114,
D12/126, 110; D15/5, 6; 123/179.1, 195 C,
123/198 E; 74/6, 606 R; 280/288.4, 847,
280/848

See application file for complete search history.

(56) **References Cited**

U.S. PATENT DOCUMENTS

D531,641 S * 11/2006 Schultz et al. D15/5
D581,431 S * 11/2008 Shimomura D15/5
D595,191 S * 6/2009 Madden D12/126

OTHER PUBLICATIONS

J & P Cycles 2009 Parts & Accessories for your Harley-Davidson® Motorcycle, Tappet Block Covers, Tappet Block Accent, and Tappet Block Set on p. 509.*

* cited by examiner

Primary Examiner — Susan M Lee

Assistant Examiner — Linda G Brooks

(74) *Attorney, Agent, or Firm* — Dicke, Billig & Czaja, PLLC

(57) **CLAIM**

The ornamental design for a motorcycle tappet cover, as shown and described.

DESCRIPTION

FIG. 1 is a front perspective view of the motorcycle tappet cover of the present invention.

FIG. 2 is a front view thereof.

FIG. 3 is a rear view thereof.

FIG. 4 is a top view thereof.

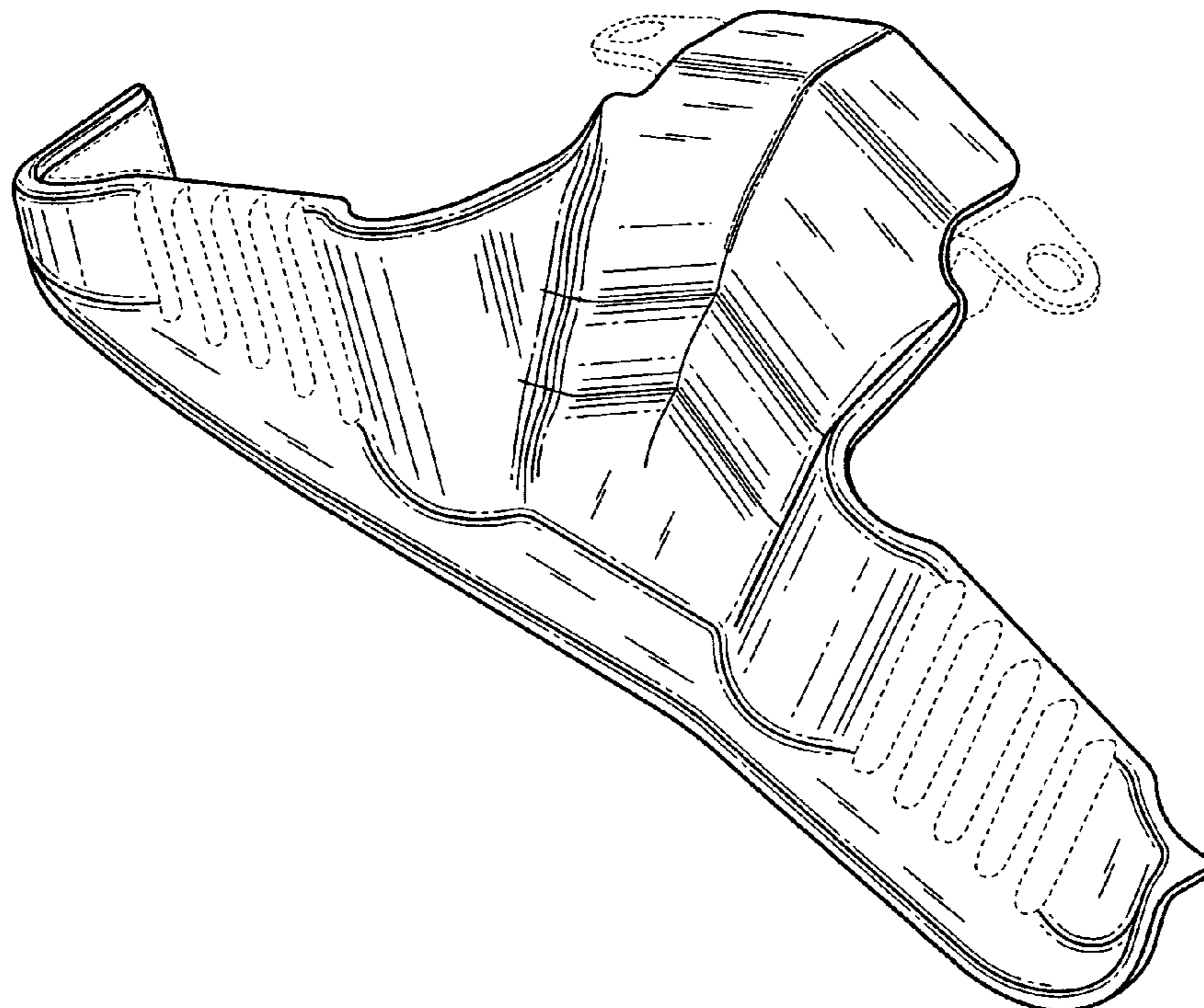
FIG. 5 is a bottom view thereof.

FIG. 6 is a left side view thereof; and,

FIG. 7 is a right side view thereof.

The front surface portions, the rear surface, and the mounting bracket of the motorcycle tappet cover shown in broken lines form no part of the claimed design.

1 Claim, 4 Drawing Sheets



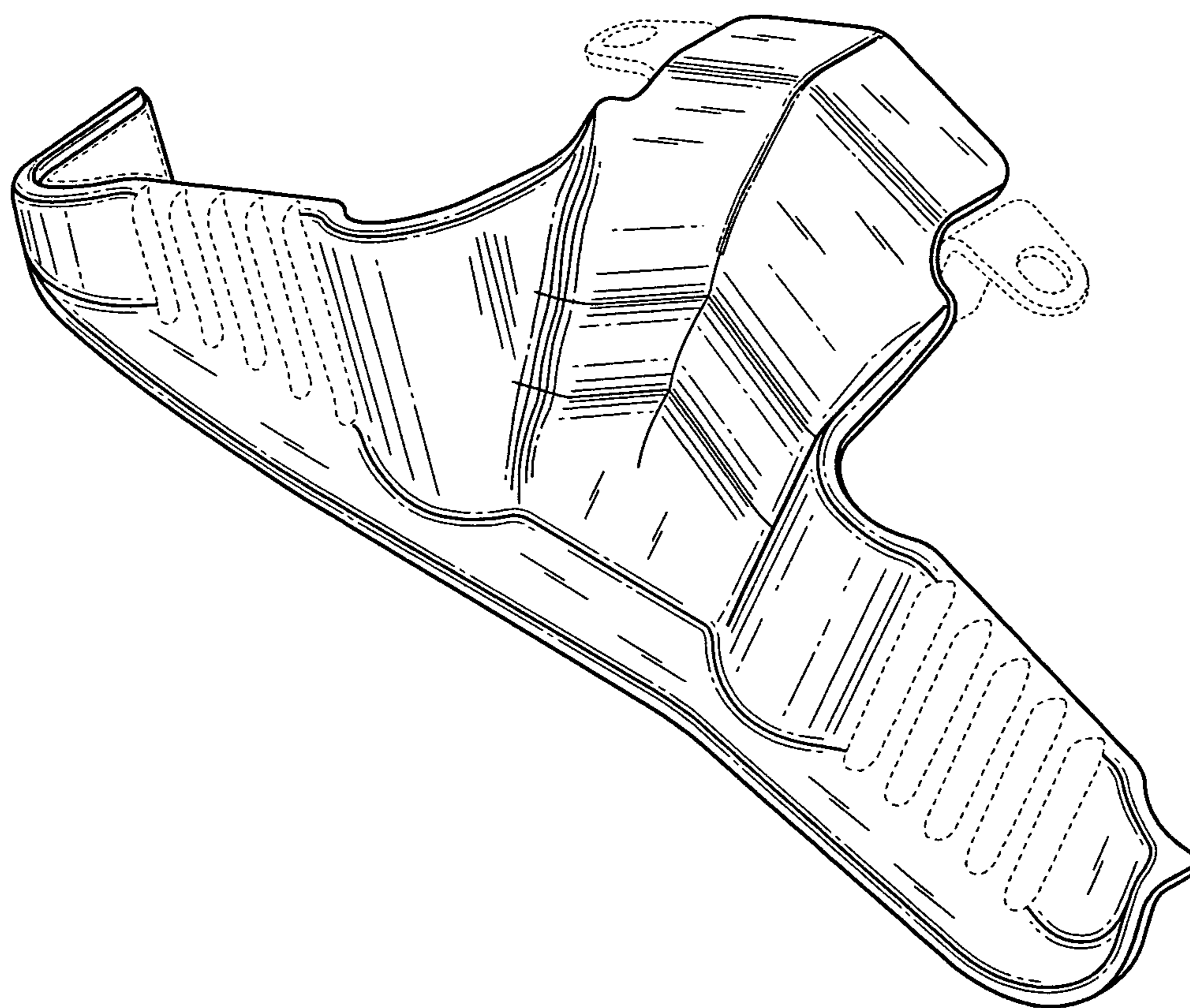


Fig. 1

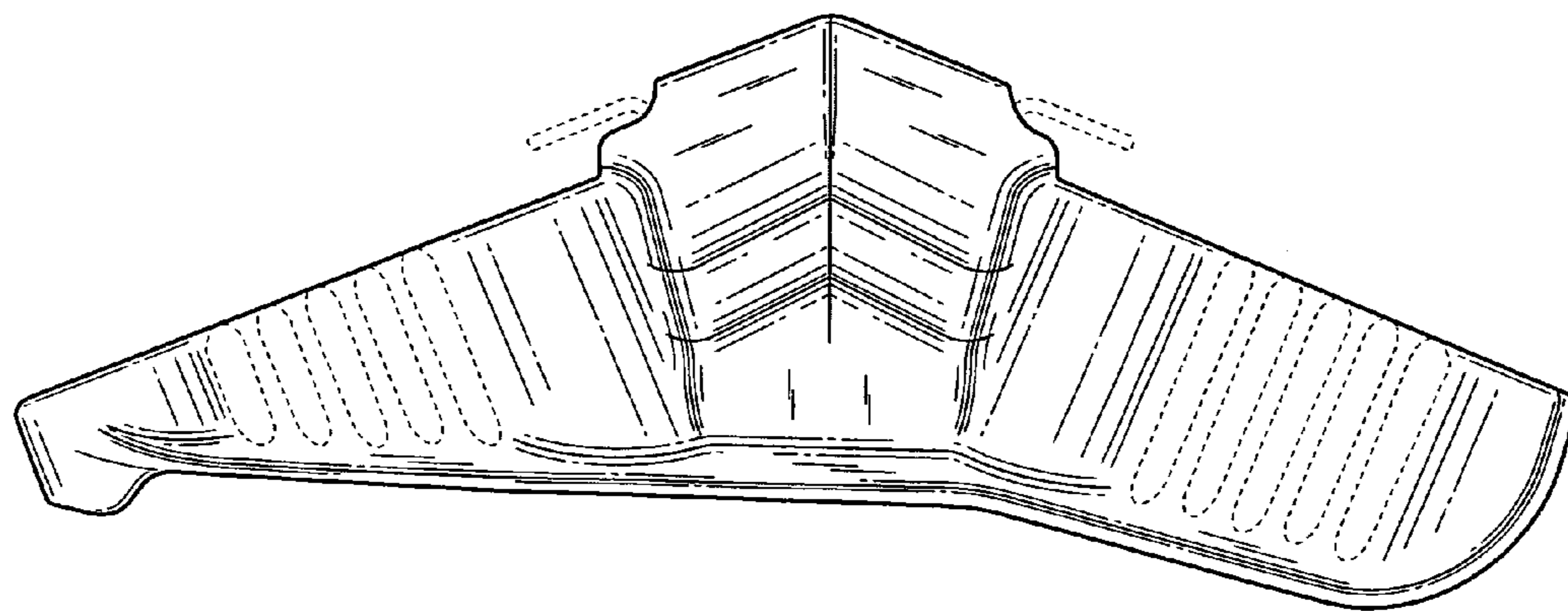


Fig. 2

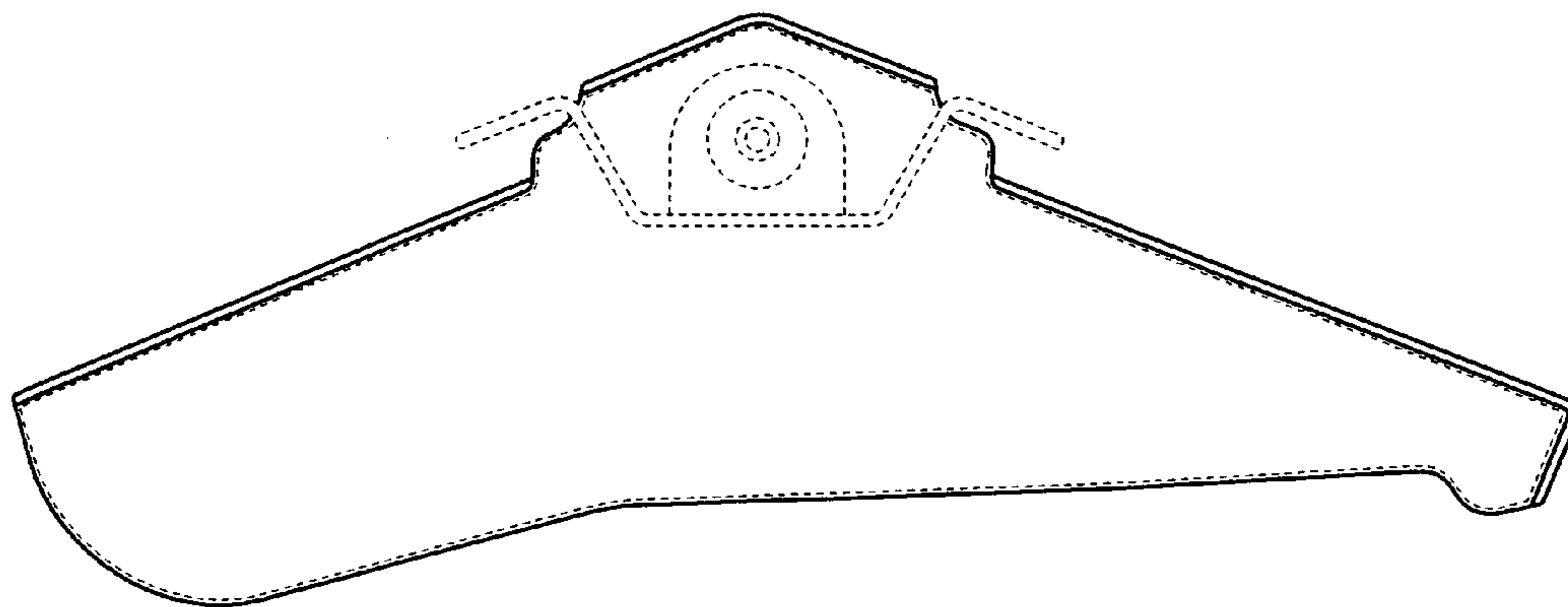


Fig. 3

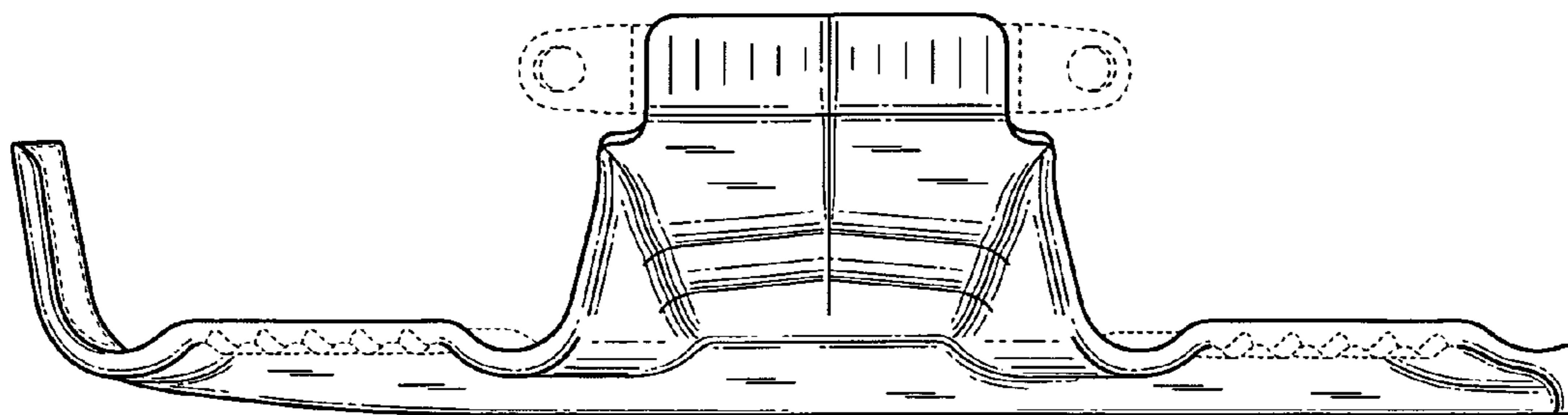


Fig. 4

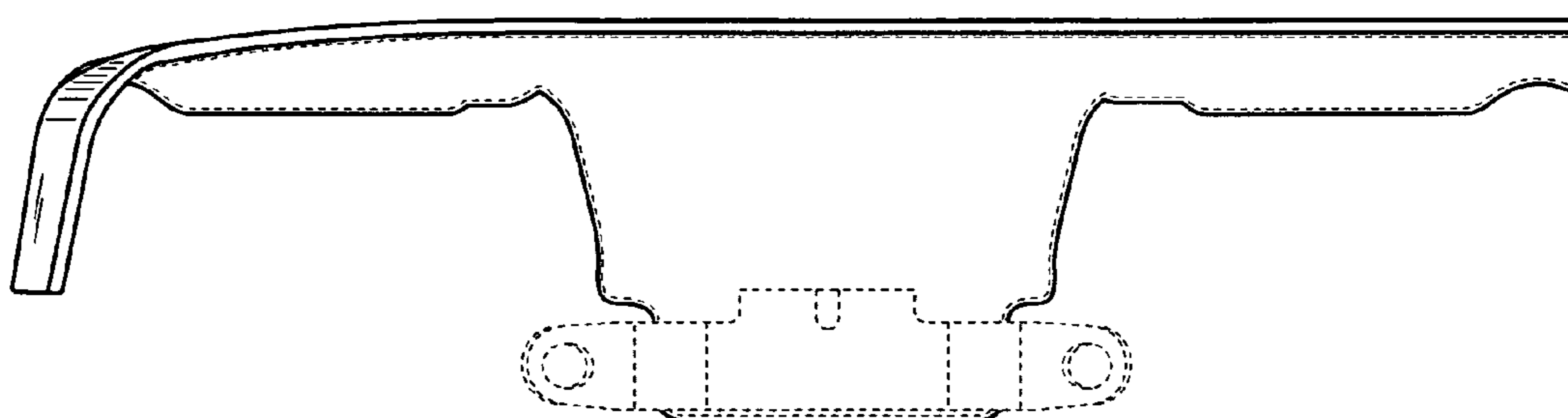


Fig. 5

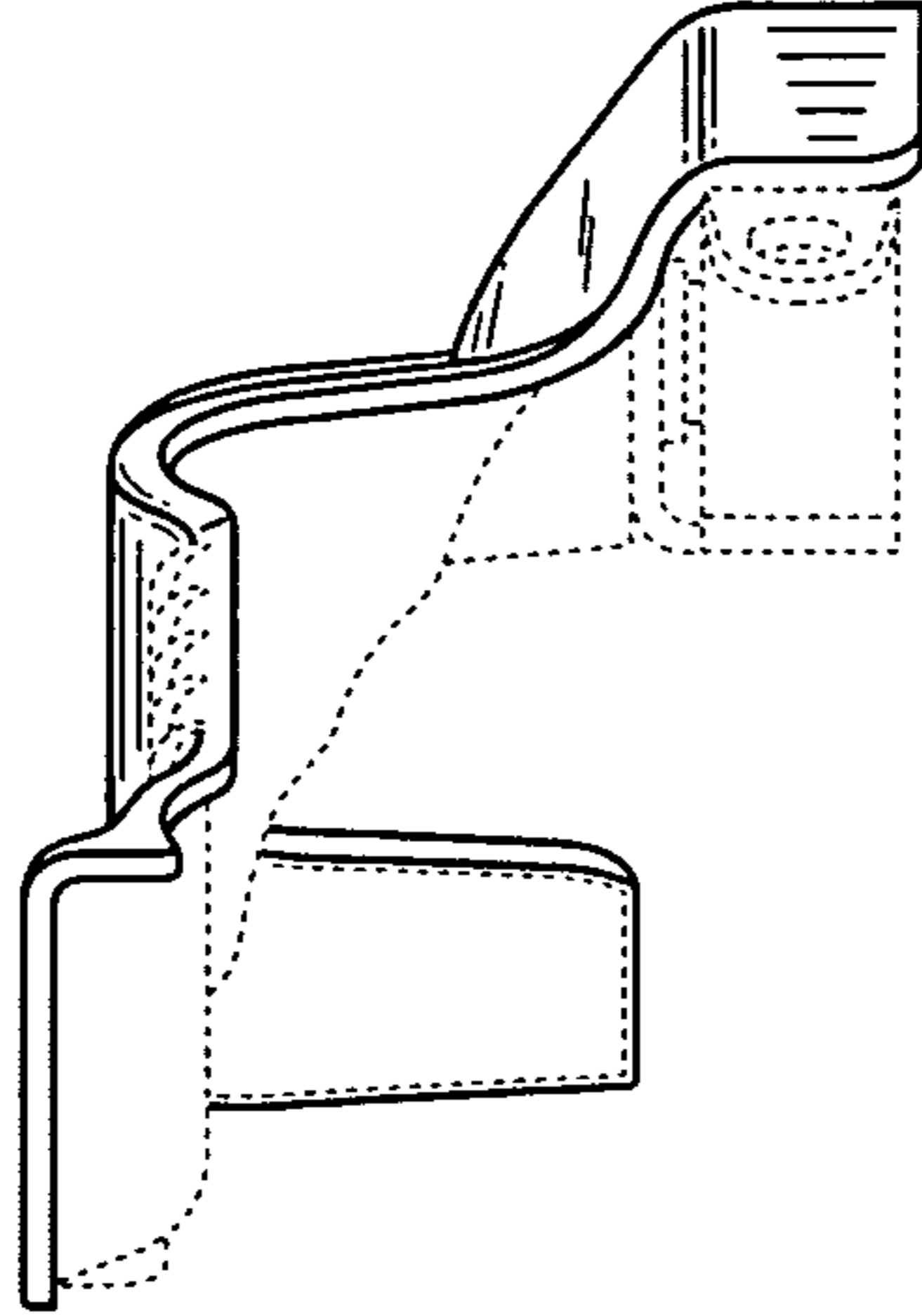


Fig. 6

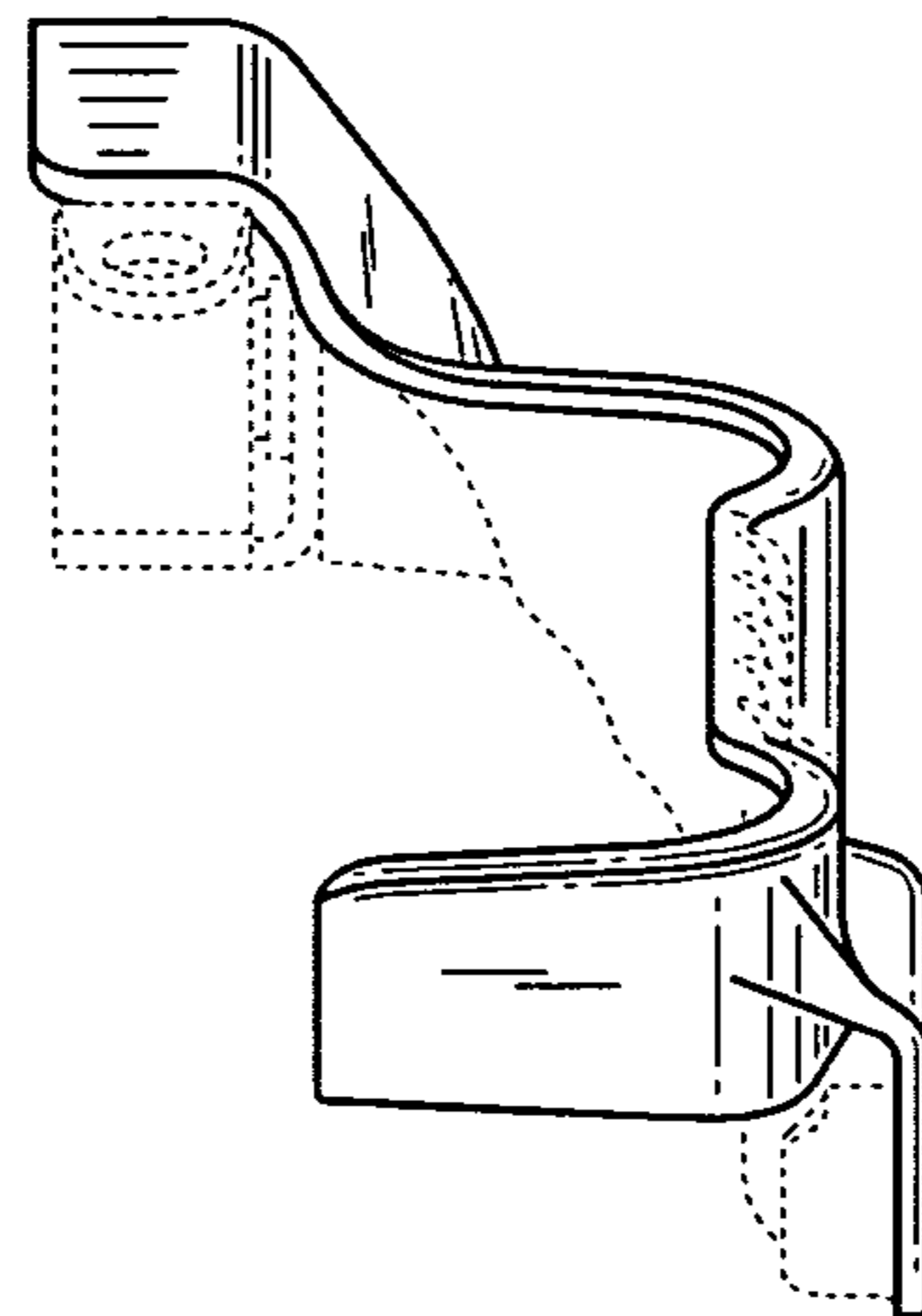


Fig. 7