

US00D680914S

(12) **United States Design Patent**
Greenblatt et al.

(10) **Patent No.:** **US D680,914 S**

(45) **Date of Patent:** **** Apr. 30, 2013**

(54) **BICYCLE SERVICE RACK**

(75) Inventors: **Joel Greenblatt**, Wauwatosa, WI (US);
Rolf Scholtz, Minneapolis, MN (US);
Colin Klotzbach, West St. Paul, MN (US)

(73) Assignee: **Everlast Climbing Industries, Inc.**,
Chattanooga, TN (US)

(**) Term: **14 Years**

(21) Appl. No.: **29/414,067**

(22) Filed: **Feb. 24, 2012**

(51) **LOC (9) Cl.** **12-11**

(52) **U.S. Cl.**
USPC **D12/115; D34/31**

(58) **Field of Classification Search** D12/115,
D12/120; D6/462, 430; D34/28, 31; 248/121,
248/127, 146, 158, 166, 176.1, 309.1, 351,
248/407, 512, 513, 518, 519; 211/5, 17,
211/18, 19, 20, 21, 22, 23, 181.1, 182; 280/293,
280/296, 297; 269/16, 37, 77, 289 R, 296,
269/900

See application file for complete search history.

(56) **References Cited**

U.S. PATENT DOCUMENTS

542,964	A *	7/1895	LeFevre	211/22
598,040	A *	1/1898	Webster	211/22
653,519	A *	7/1900	Masters	211/22
3,675,784	A *	7/1972	John	211/22
D281,199	S *	10/1985	Prawl	D34/28
D283,414	S *	4/1986	Shedden	D12/114
D288,995	S *	3/1987	Cooper	D21/664
5,222,707	A *	6/1993	Myers	248/206.1
D337,082	S *	7/1993	Hellesoe	D12/115
D348,966	S *	7/1994	Guyton	D34/31
5,497,967	A *	3/1996	Gantois	248/166
D373,519	S *	9/1996	Escalante et al.	D8/71

D373,884	S *	9/1996	Price	D34/31
D388,925	S *	1/1998	Hulegaard et al.	D34/31
5,765,821	A *	6/1998	Janisse et al.	269/16
5,996,814	A *	12/1999	Workman et al.	211/22
D445,273	S *	7/2001	Brown et al.	D6/396
D490,289	S *	5/2004	Chuang	D8/72
7,311,048	B2 *	12/2007	Kopala, Jr.	108/147
D595,618	S *	7/2009	Dallaire	D12/115
7,575,207	B2 *	8/2009	Chuang	248/168
D599,714	S *	9/2009	Neff	D12/115
7,712,614	B2 *	5/2010	Carlson et al.	211/22
D660,749	S *	5/2012	Strayer	D12/115
2007/0138111	A1 *	6/2007	Schairer et al.	211/17

OTHER PUBLICATIONS

Derovations Corporation, "Dero Fixit" www.dero.com, Feb. 23, 2012. PDF file.

* cited by examiner

Primary Examiner — Philip S Hyder

Assistant Examiner — John T Applewhite

(74) *Attorney, Agent, or Firm* — Merchant & Gould P.C.

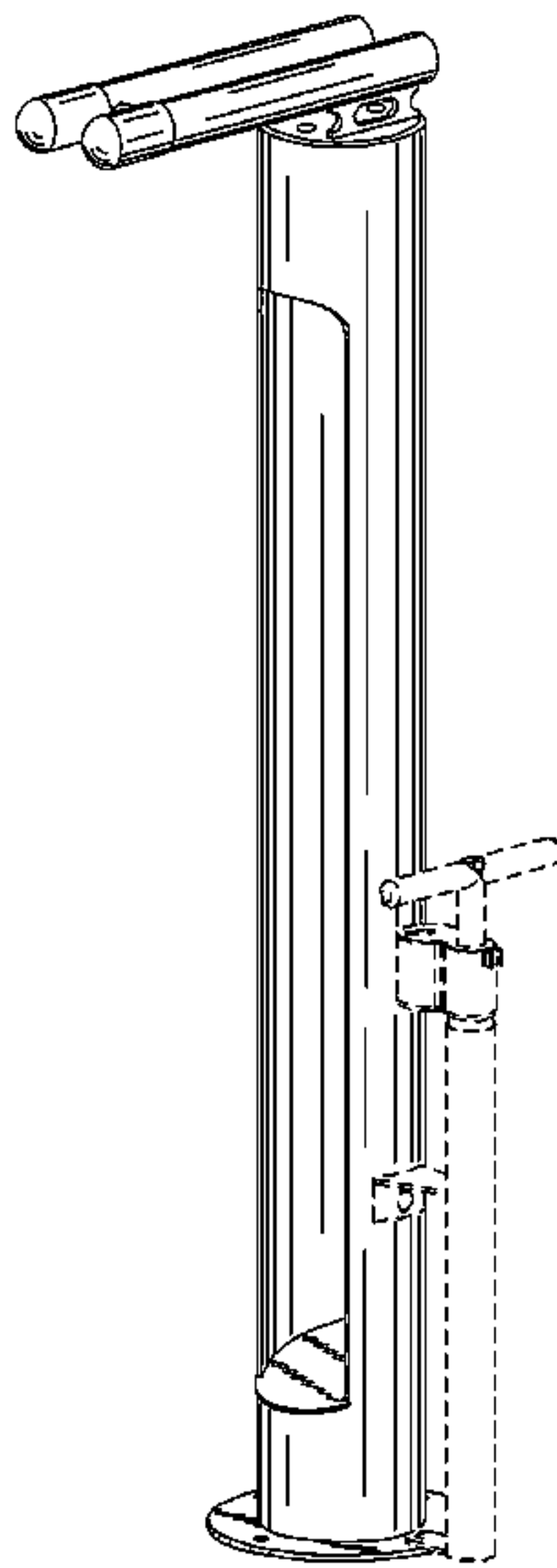
(57) **CLAIM**

The ornamental design for a bicycle service rack, as shown and described.

DESCRIPTION

FIG. 1 is a front perspective view of the design;
FIG. 2 is a front elevational view of the design;
FIG. 3 is a rear elevational view of the design;
FIG. 4 is a left side elevational view of the design;
FIG. 5 is a right side elevational view of the design;
FIG. 6 is a top plan view of the design; and,
FIG. 7 is a bottom plan view of the design.
The broken line showing of a bicycle service rack is for illustrative purposes only, and forms no part of the claimed design.

1 Claim, 4 Drawing Sheets



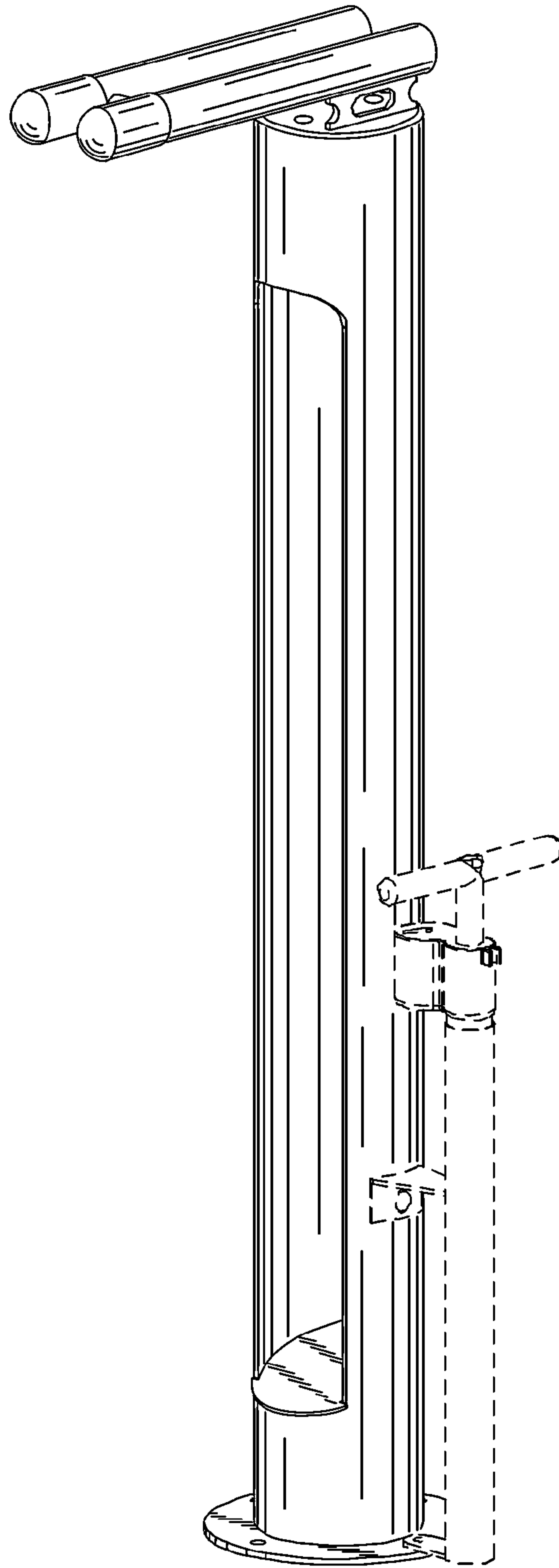


FIG. 1

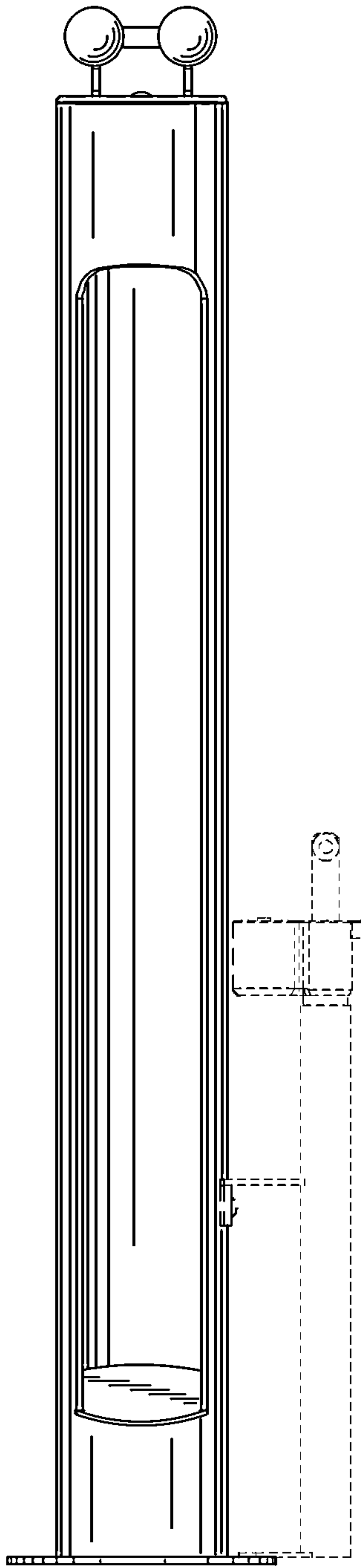


FIG. 2

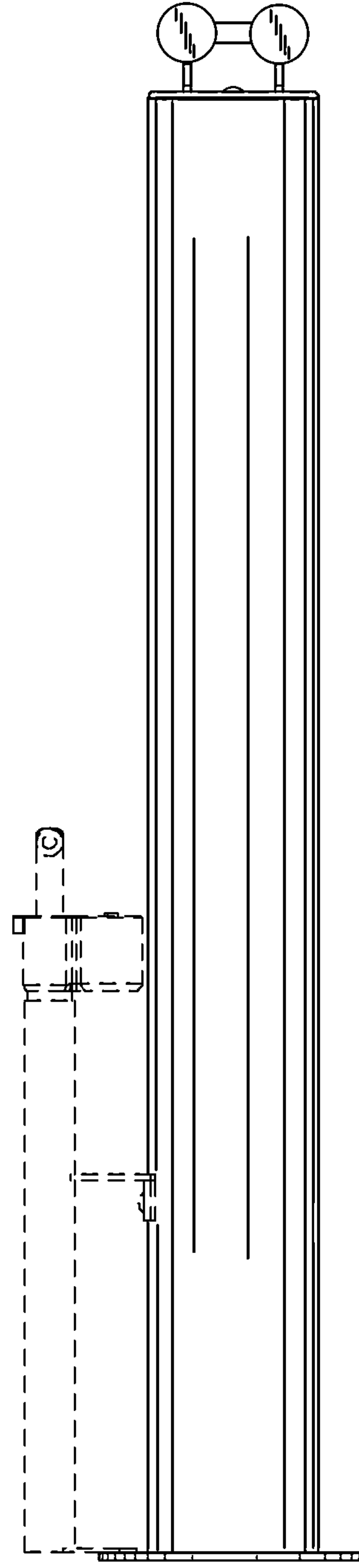


FIG. 3

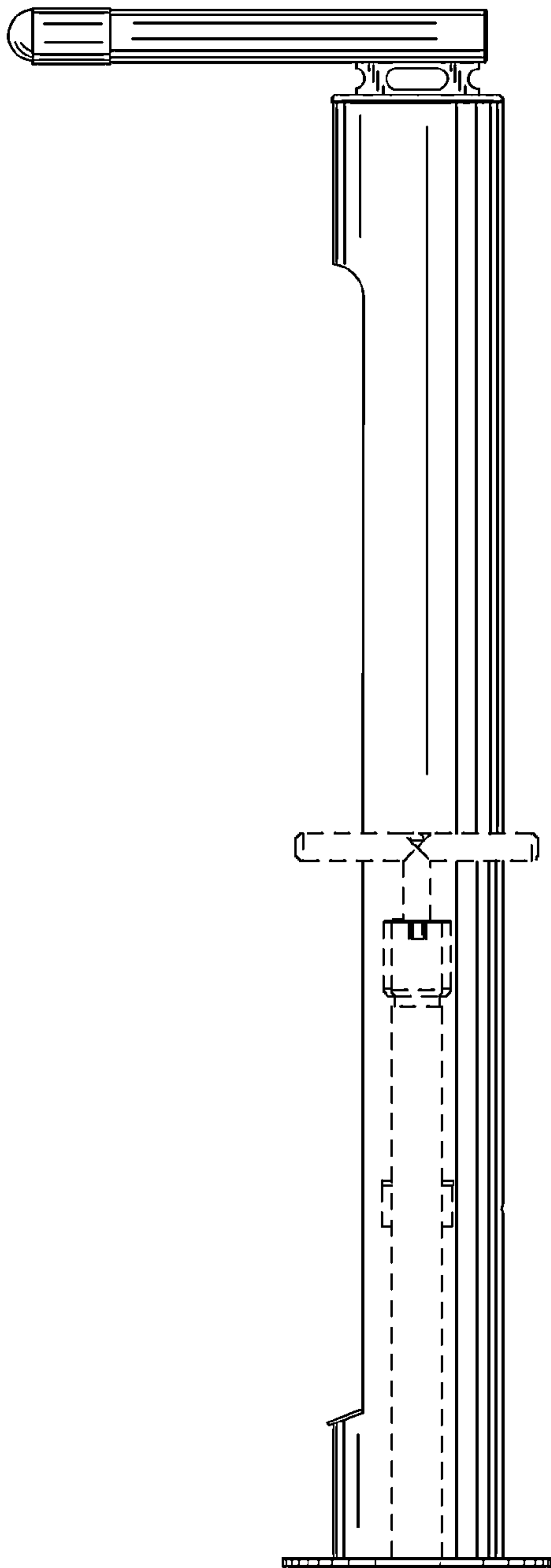


FIG. 4

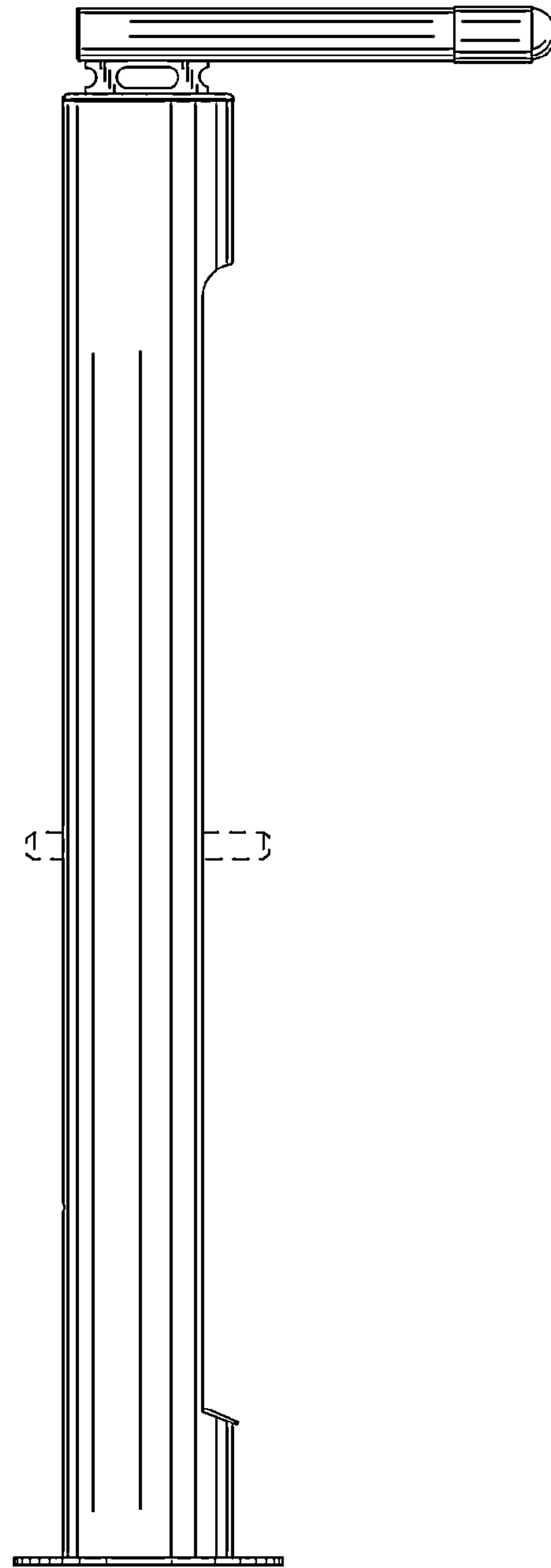


FIG. 5

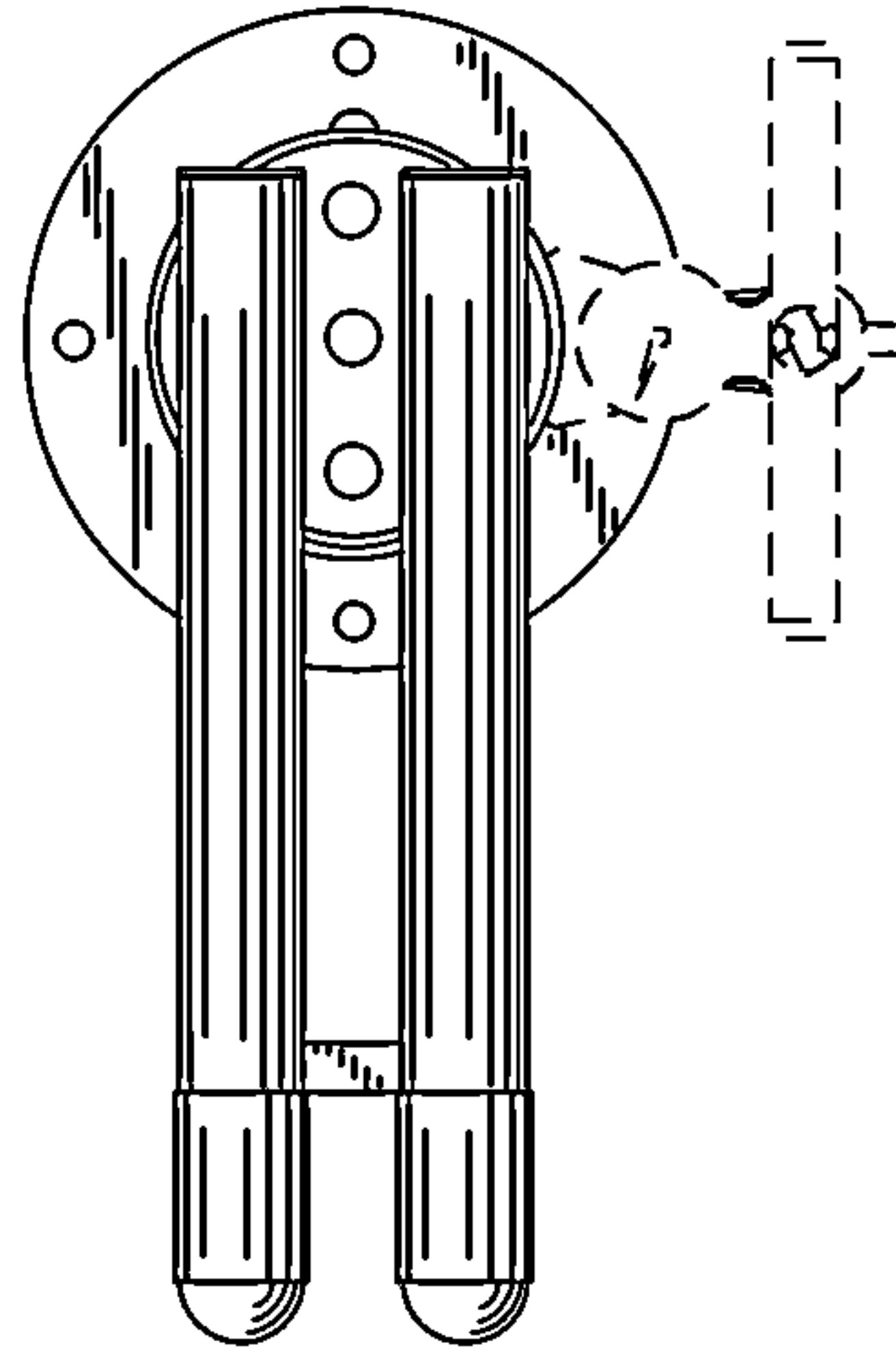


FIG. 6

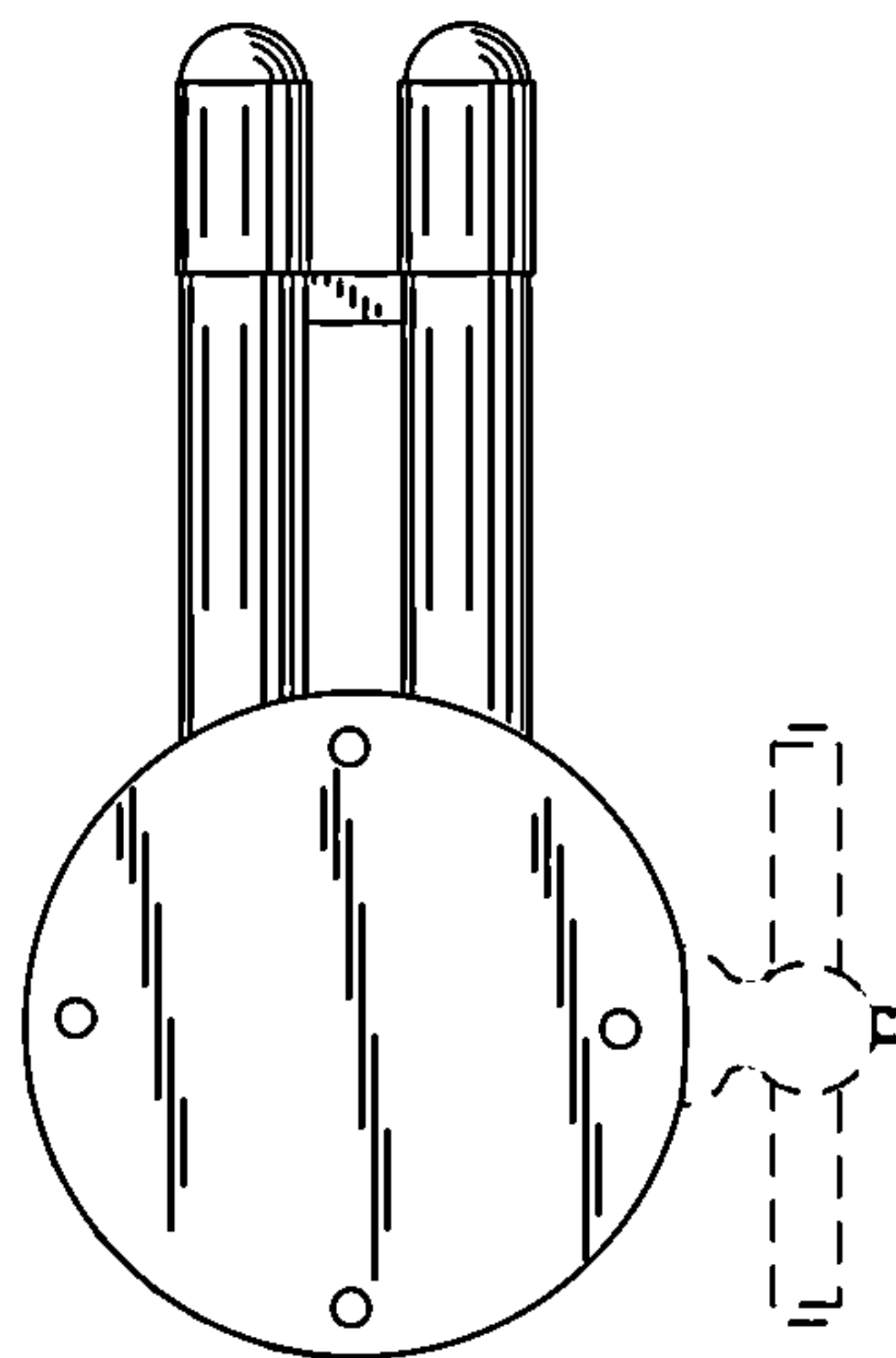


FIG. 7