



US00D680912S

(12) **United States Design Patent**
Lambri et al.

(10) **Patent No.:** **US D680,912 S**
(45) **Date of Patent:** **** Apr. 30, 2013**

(54) **MOTOR SCOOTER**

- (75) Inventors: **Marco Lambri**, Pontedera (IT); **Mirko Zocco**, Pontedera (IT)
- (73) Assignee: **Piaggio & C. S.p.A.**, Pontedera (PI) (IT)
- (**) Term: **14 Years**
- (21) Appl. No.: **29/418,188**
- (22) Filed: **Apr. 12, 2012**

(30) **Foreign Application Priority Data**

Oct. 13, 2011 (EM) 001931551

(51) **LOC (9) Cl.** **12-11**

(52) **U.S. Cl.**
USPC **D12/110**

(58) **Field of Classification Search** D12/110;
180/219, 220, 225, 229
See application file for complete search history.

(56) **References Cited**

U.S. PATENT DOCUMENTS

D556,640 S	*	12/2007	Wu	D12/110
D576,921 S	*	9/2008	Tong	D12/110
D591,204 S	*	4/2009	Matsuzawa	D12/110
D610,045 S	*	2/2010	Lambri	D12/110

OTHER PUBLICATIONS

2010 Piaggio X7 Evo on p. 1 of 7. [Retrieved on Aug. 9, 2012]. Retrieved from the Internet <URL: <http://future-motorcycles.com/new-piaggio-x7-evo/>>.*

* cited by examiner

Primary Examiner — Susan M Lee

Assistant Examiner — Linda G. Brooks

(74) *Attorney, Agent, or Firm* — Hedman & Costigan, P.C.; Kathleen A. Costigan

(57) **CLAIM**

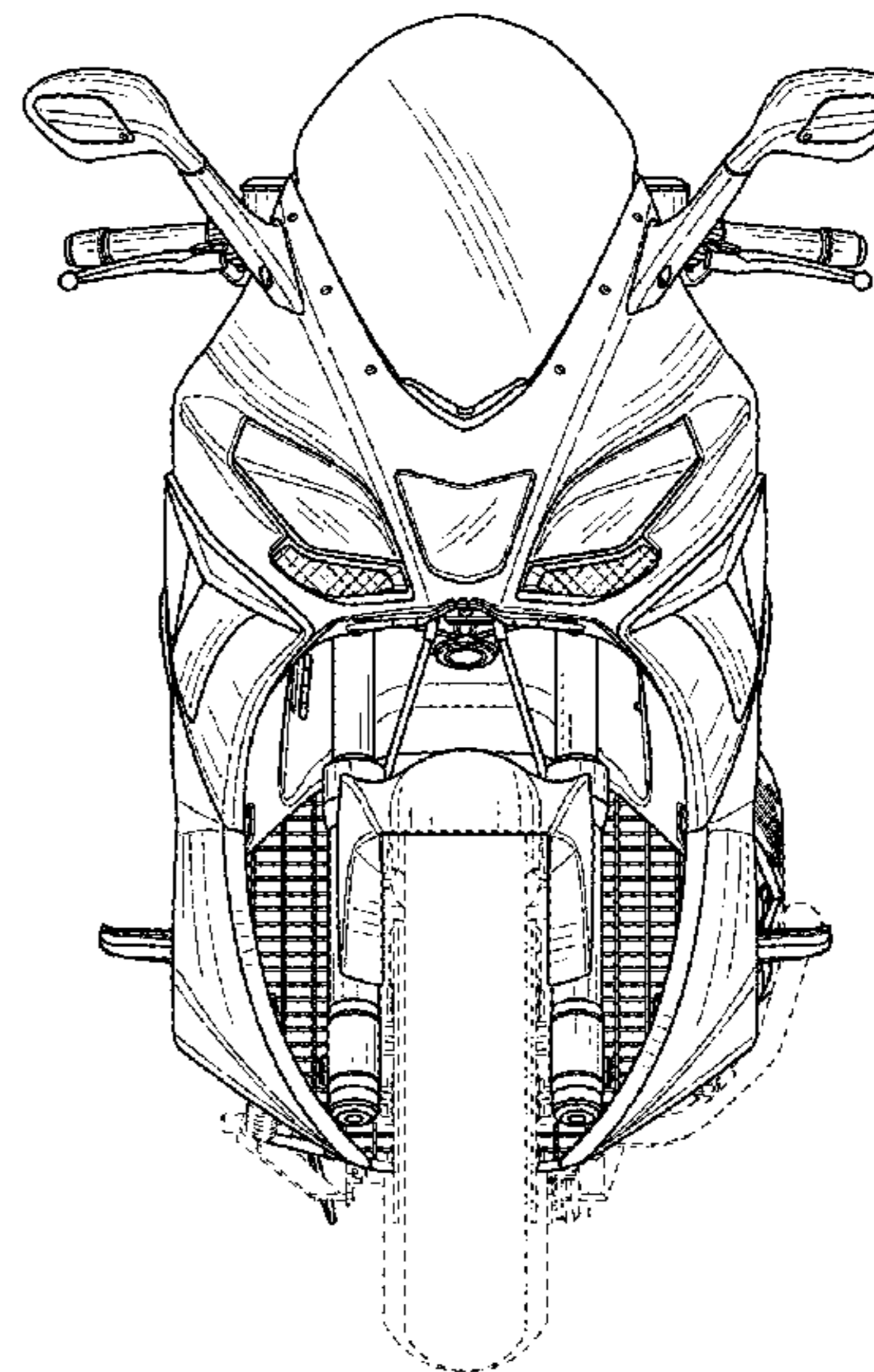
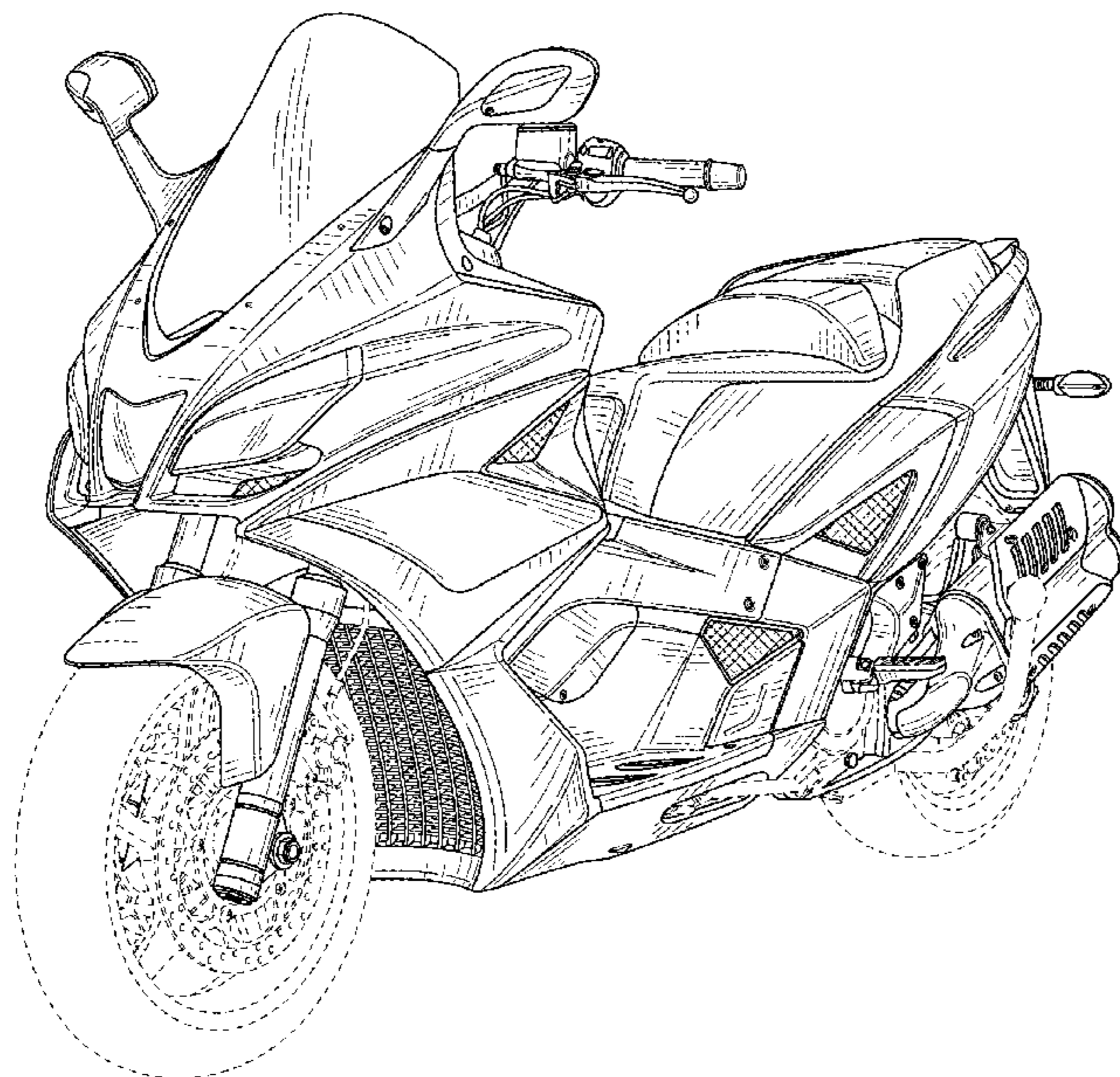
The ornamental design for a motor scooter, as shown and described.

DESCRIPTION

FIG. 1 is a front, left side perspective view of the invention; FIG. 2 is a front view thereof; FIG. 3 is a rear view thereof; FIG. 4 is a left side view thereof; FIG. 5 is a right side view thereof; FIG. 6 is a top view thereof; and, FIG. 7 is a bottom view thereof.

The broken lines illustrate unclaimed structure.

1 Claim, 7 Drawing Sheets



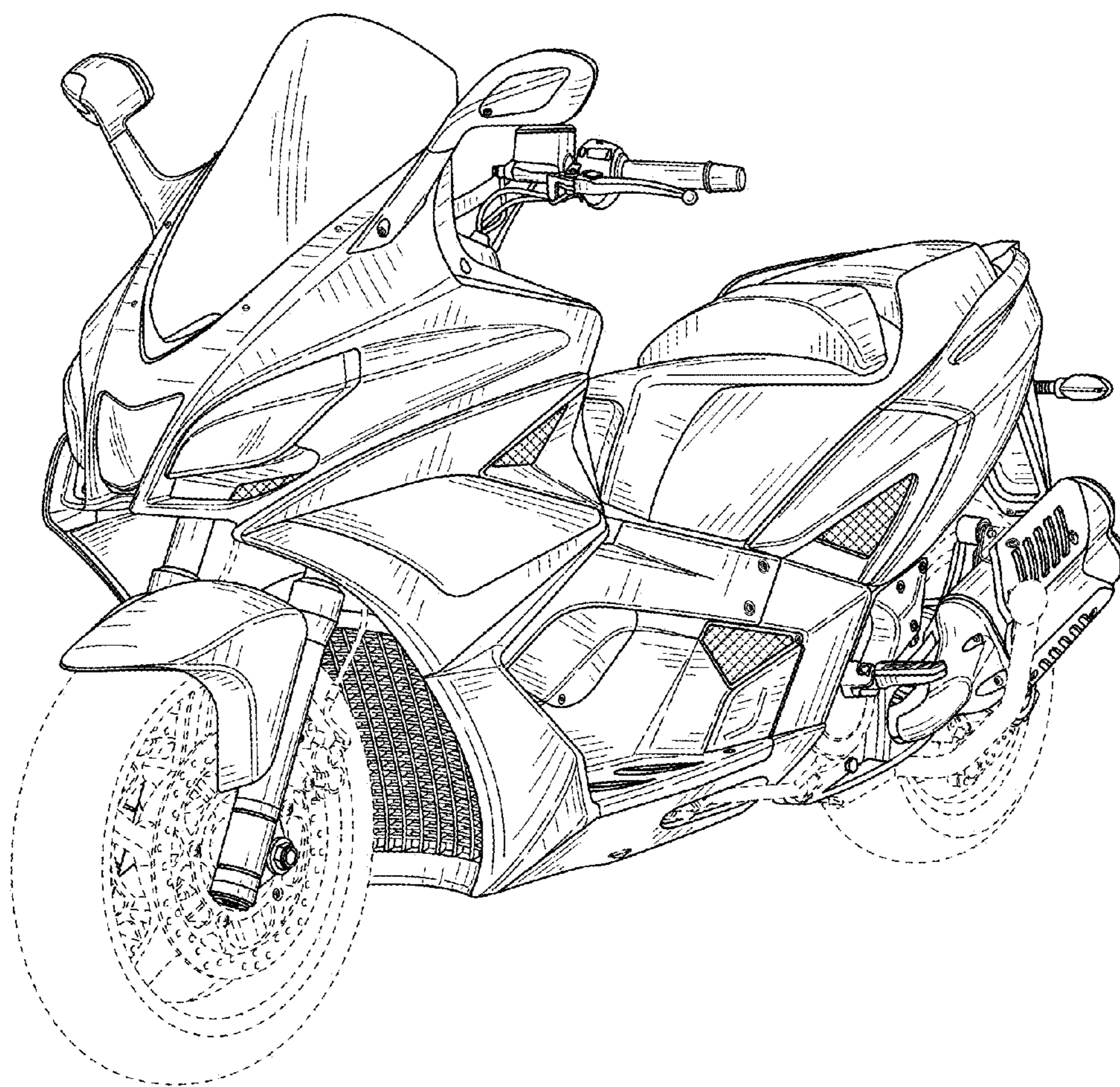


FIG. 1

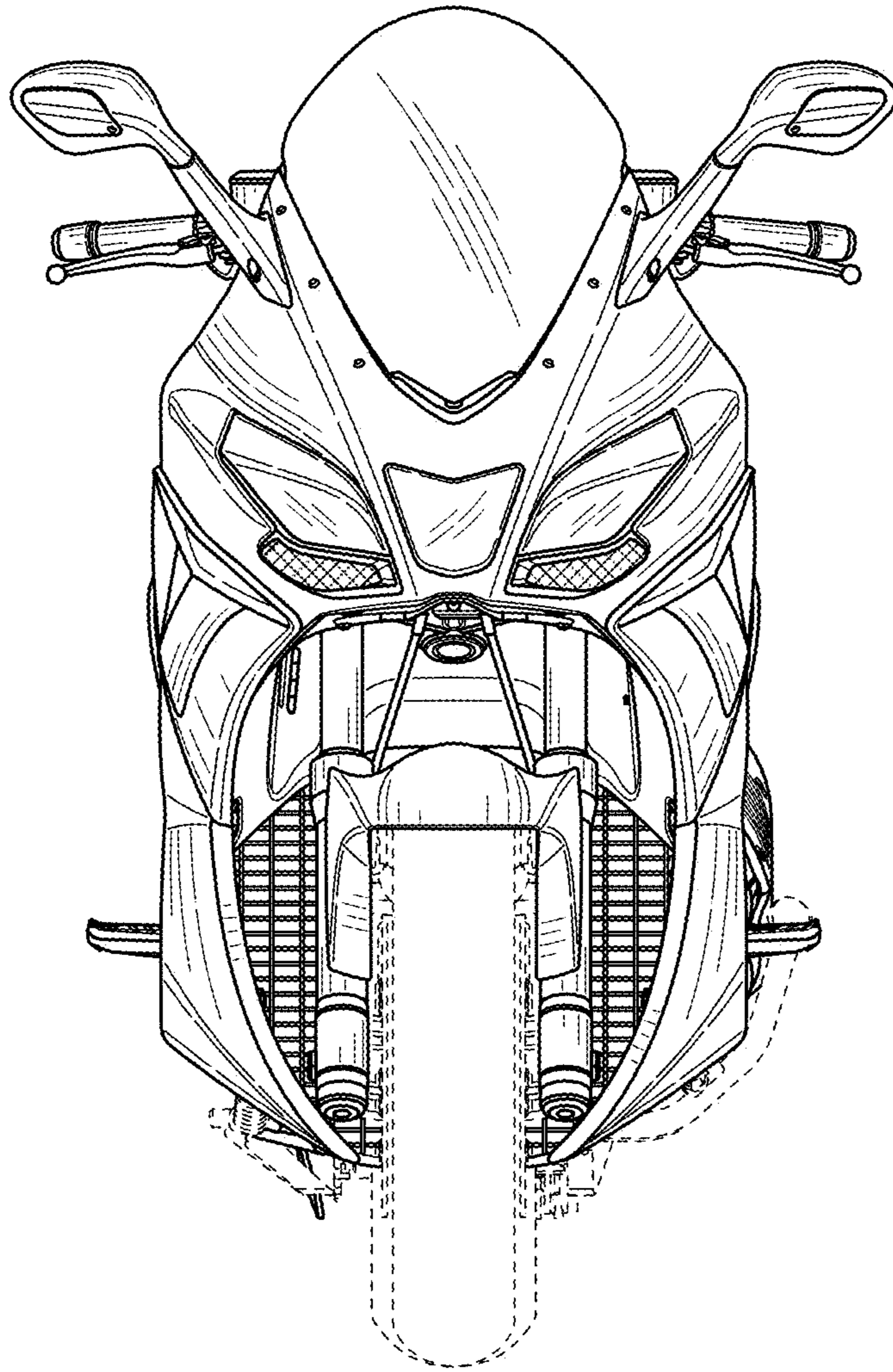


FIG. 2

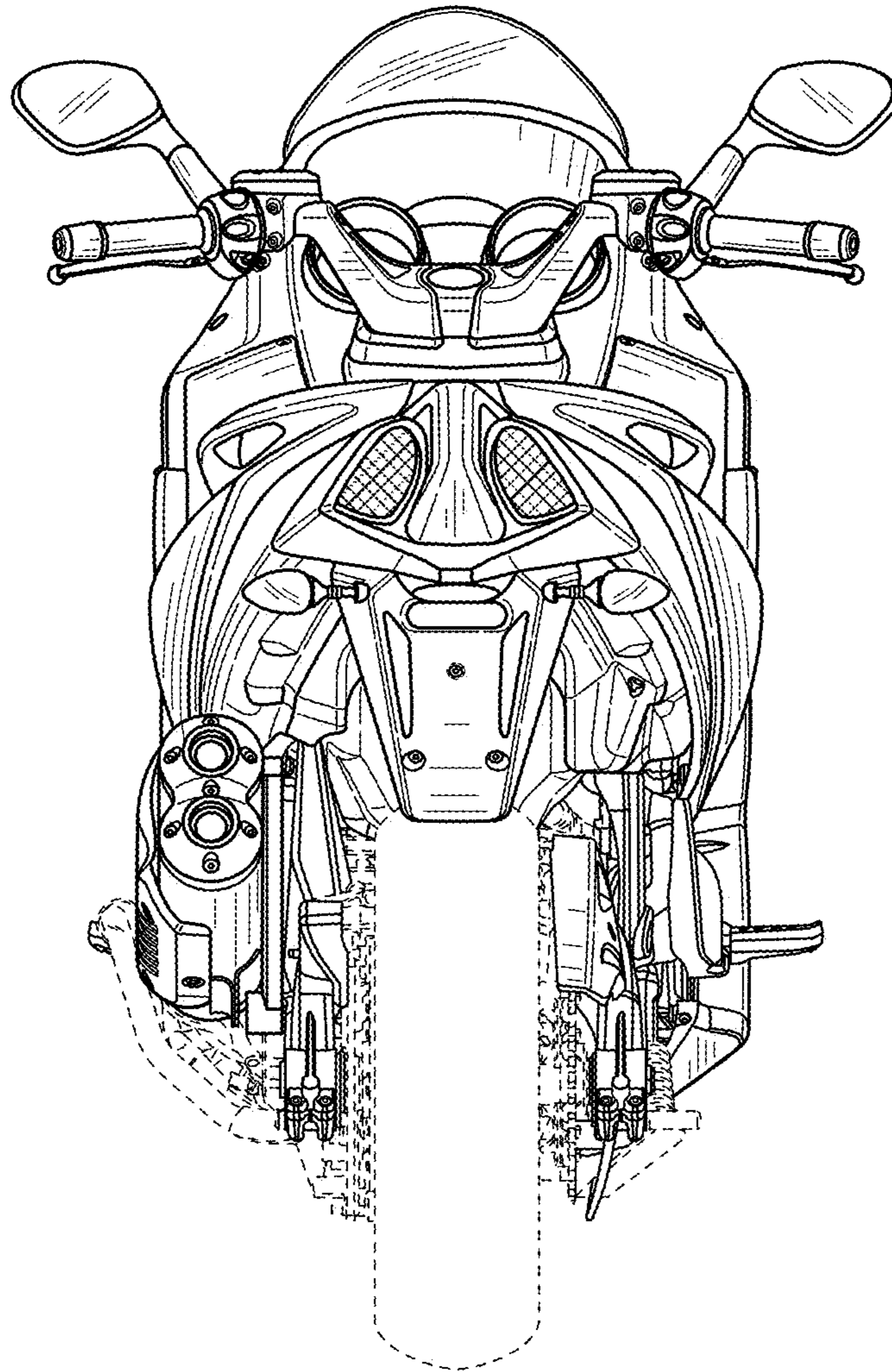


FIG. 3

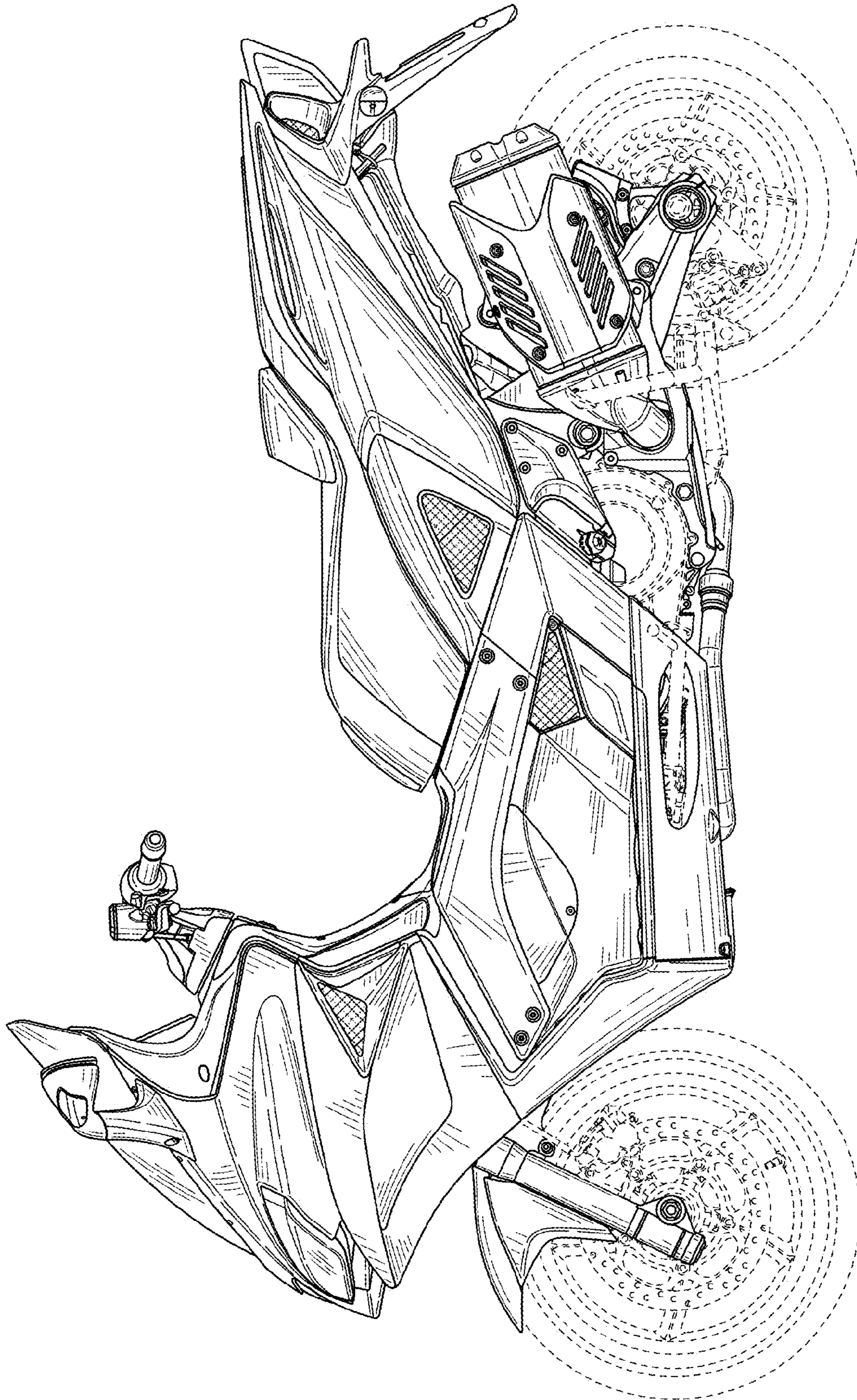


FIG. 4

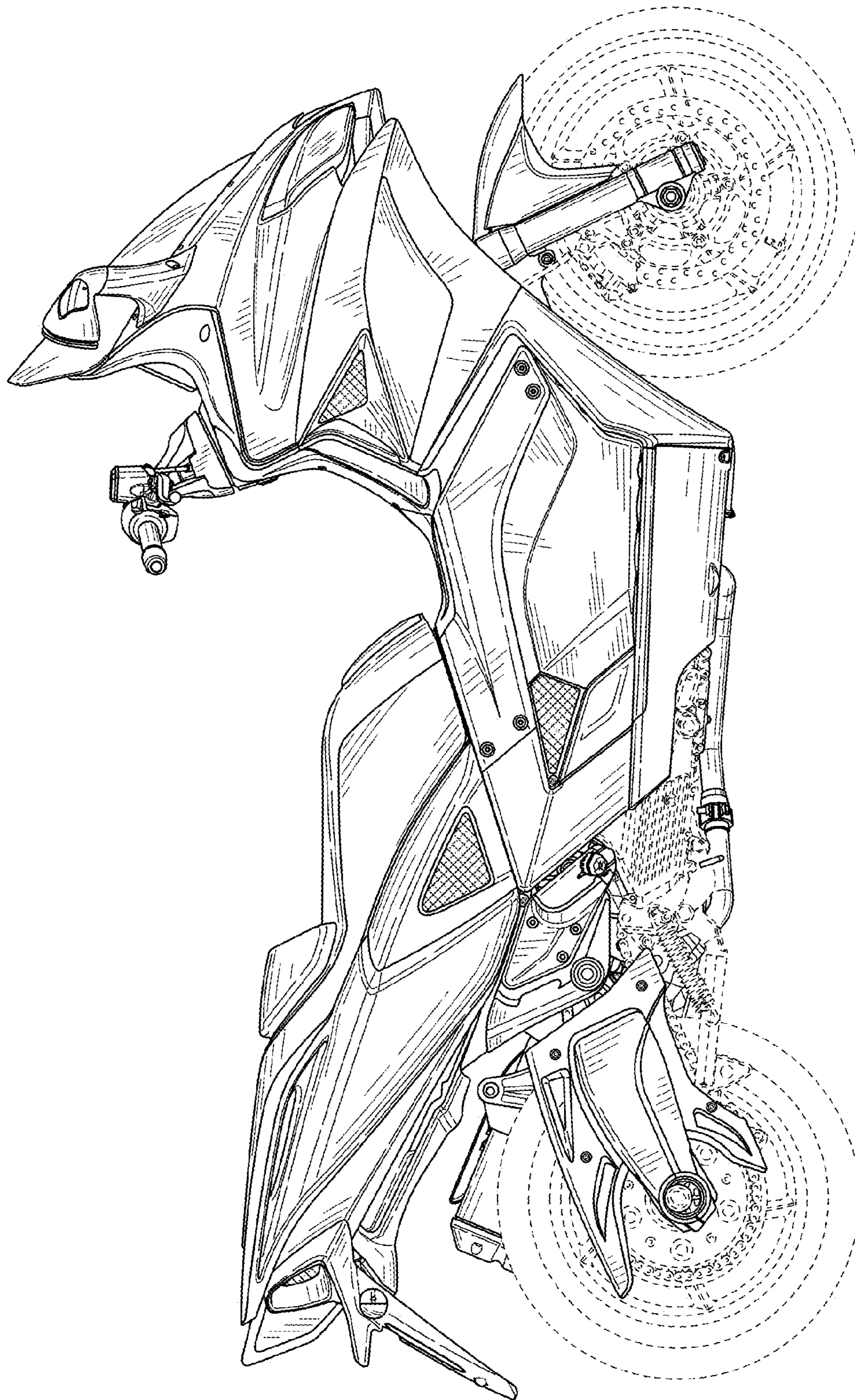


FIG. 5

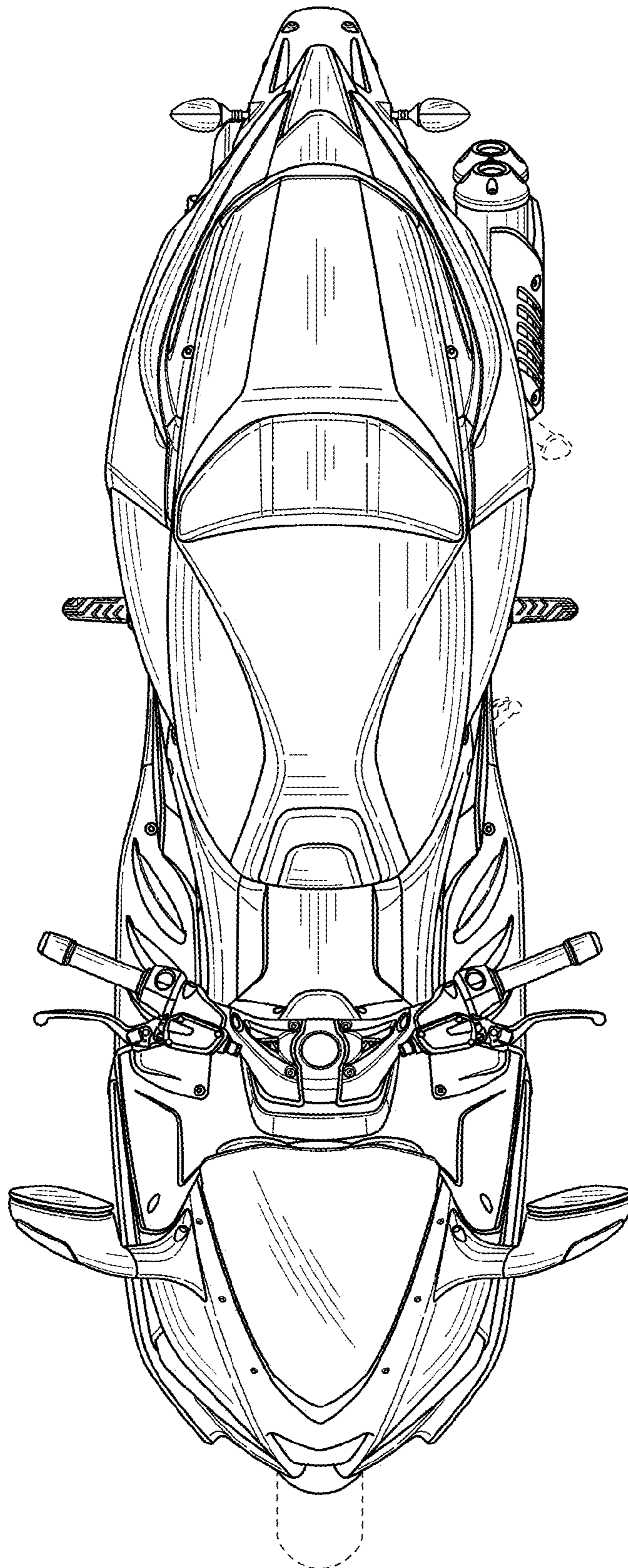


FIG. 6

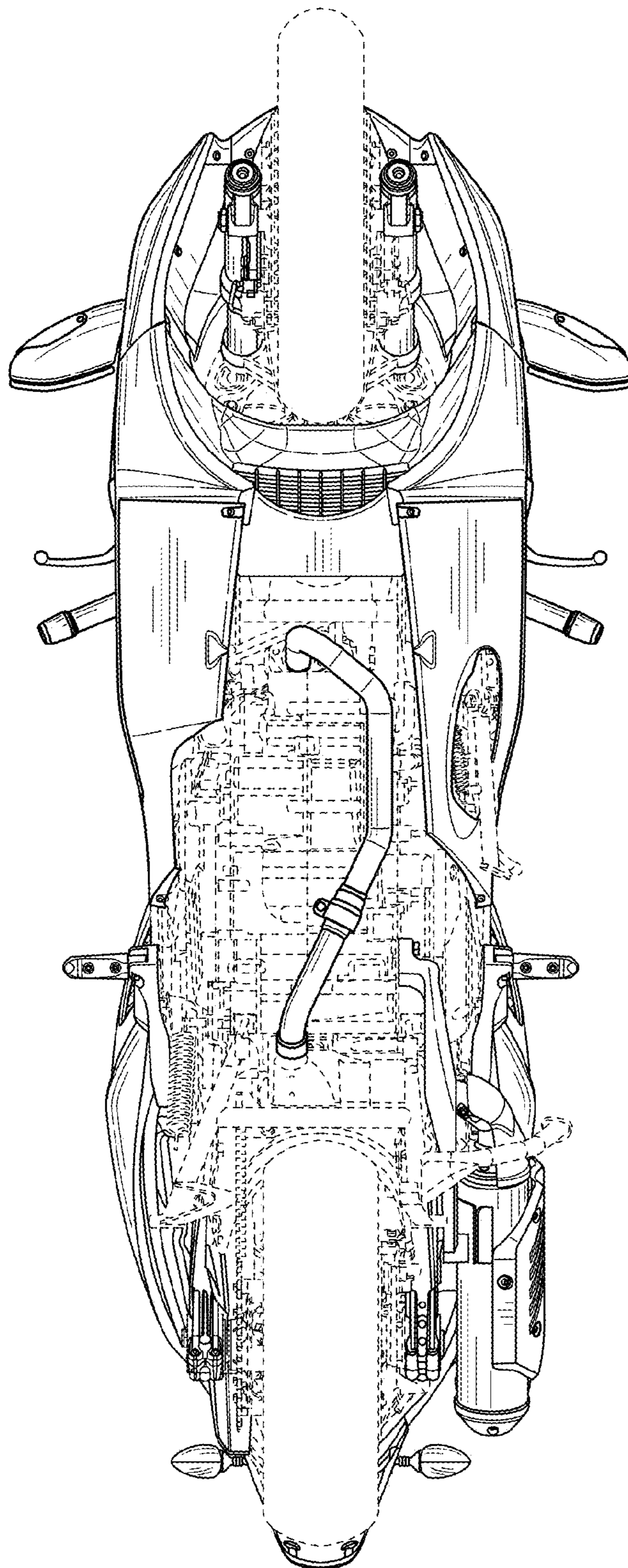


FIG. 7