



US00D680909S

(12) **United States Design Patent**  
**Munson et al.**

(10) **Patent No.:** **US D680,909 S**

(45) **Date of Patent:** **\*\* Apr. 30, 2013**

(54) **VEHICLE BODY**

(75) Inventors: **Robert J. Munson**, Rochester Hills, MI (US); **U Yong Choi**, Bloomfield Township, MI (US)

(73) Assignee: **GM Global Technology Operations LLC**, Detroit, MI (US)

(\*\*) Term: **14 Years**

(21) Appl. No.: **29/407,580**

(22) Filed: **Nov. 30, 2011**

(51) **LOC (9) Cl.** ..... **12-08**

(52) **U.S. Cl.**  
USPC ..... **D12/92**

(58) **Field of Classification Search** ..... D12/86,  
D12/90-92, 99; D21/424, 433, 434; 296/181.1,  
296/181.5

See application file for complete search history.

(56) **References Cited**

**U.S. PATENT DOCUMENTS**

D592,105 S	5/2009	Dean et al.	
D597,447 S	8/2009	Folden	
D603,755 S	11/2009	Peters	
D605,082 S	12/2009	Munson	
D605,083 S	12/2009	Manoogian, II et al.	
D605,978 S *	12/2009	Wolff et al. ....	D12/91
D608,249 S	1/2010	Peters	
D609,608 S	2/2010	Boniface et al.	
D611,387 S	3/2010	Thompson et al.	
D611,879 S	3/2010	Kim et al.	
D612,297 S	3/2010	Peters et al.	
D615,458 S	5/2010	Thompson et al.	
D623,090 S	9/2010	Cox et al.	
D644,148 S *	8/2011	Smart .....	D12/91
D644,567 S	9/2011	Kozub	
D668,183 S *	10/2012	Smart .....	D12/92

**OTHER PUBLICATIONS**

U.S. Appl. No. 29/392,615, filed May 24, 2011; First Named Inventor: Carlos M. Barba Franco; Title: Vehicle Body.

U.S. Appl. No. 29/409,092, filed Dec. 20, 2011; First Named Inventor: Nicholas J. David; Title: Vehicle Body.

U.S. Appl. No. 29/413,221, filed Feb. 13, 2012; First Named Inventor: Joseph C. Baker; Title: Vehicle Body.

U.S. Appl. No. 29/414,260, filed Feb. 27, 2012; First Named Inventor: Steven M. McCabe; Title: Vehicle Body.

U.S. Appl. No. 29/403,440, filed Oct. 6, 2011; First Named Inventor: Niki J. Smart; Title: Vehicle Body.

\* cited by examiner

*Primary Examiner* — Melody N Brown

(74) *Attorney, Agent, or Firm* — Reising Ethington, P.C.;  
Lionel D. Anderson

(57) **CLAIM**

The ornamental design for a vehicle body, as shown and described.

**DESCRIPTION**

FIG. 1 is a left front perspective view of a vehicle body showing the new design;

FIG. 2 is a front view thereof;

FIG. 3 is a left side view thereof, the right side being a mirror image thereof;

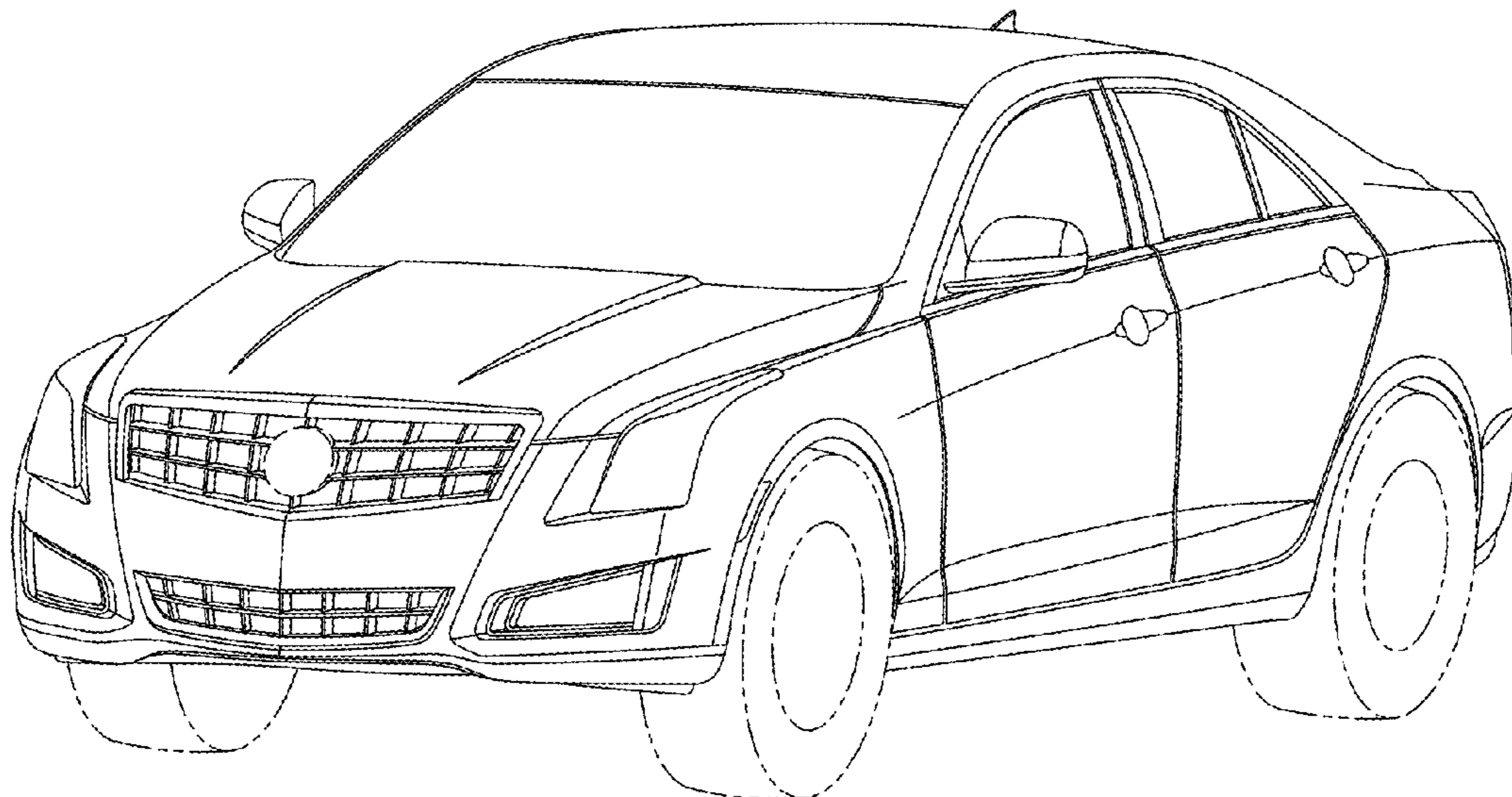
FIG. 4 is a top view thereof;

FIG. 5 is a left rear perspective view thereof; and,

FIG. 6 is a rear view thereof.

In the drawings, the elements shown in broken lines are for illustrative purposes only and form no part of the claimed design.

**1 Claim, 6 Drawing Sheets**



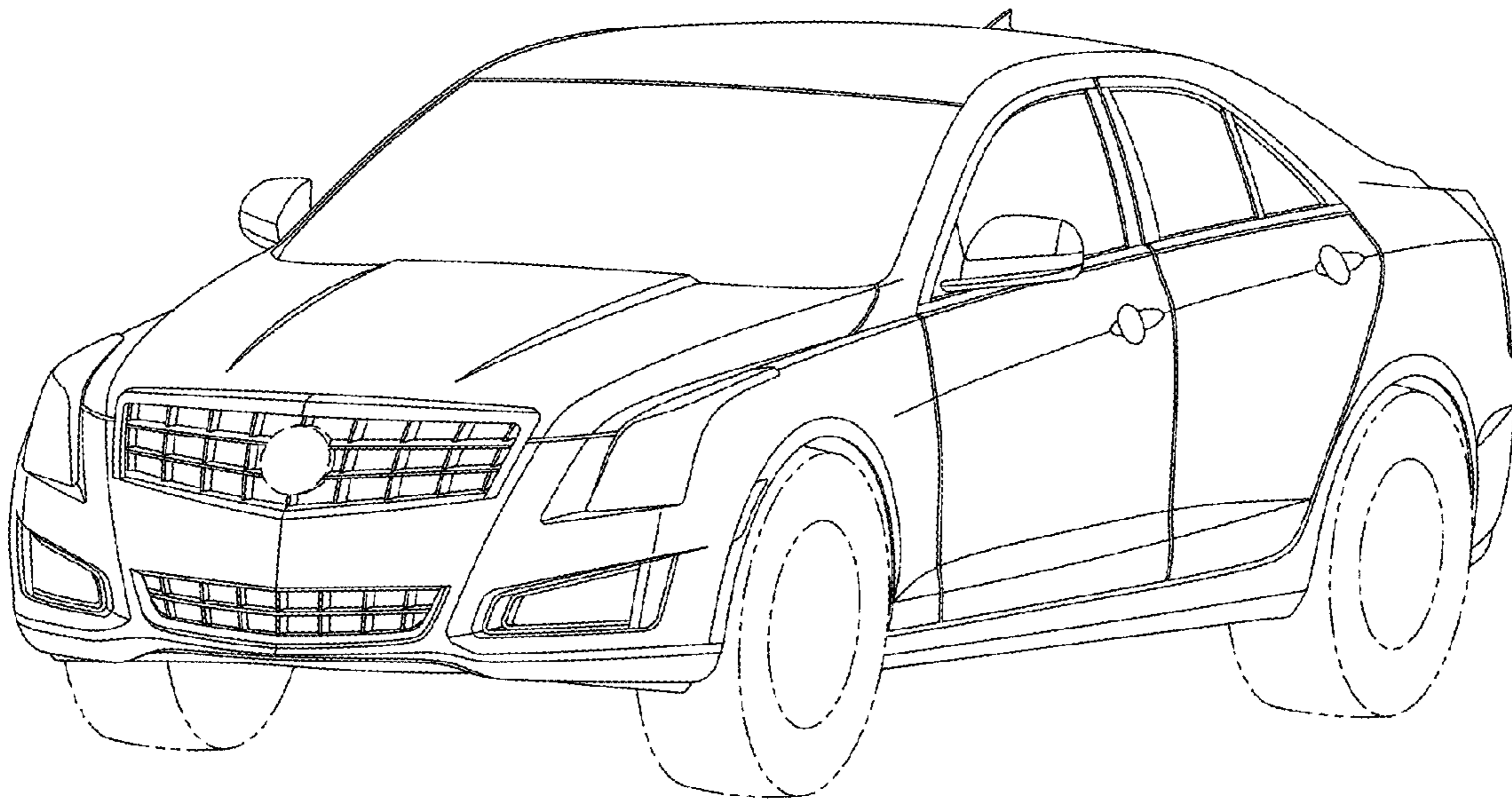


Fig-1

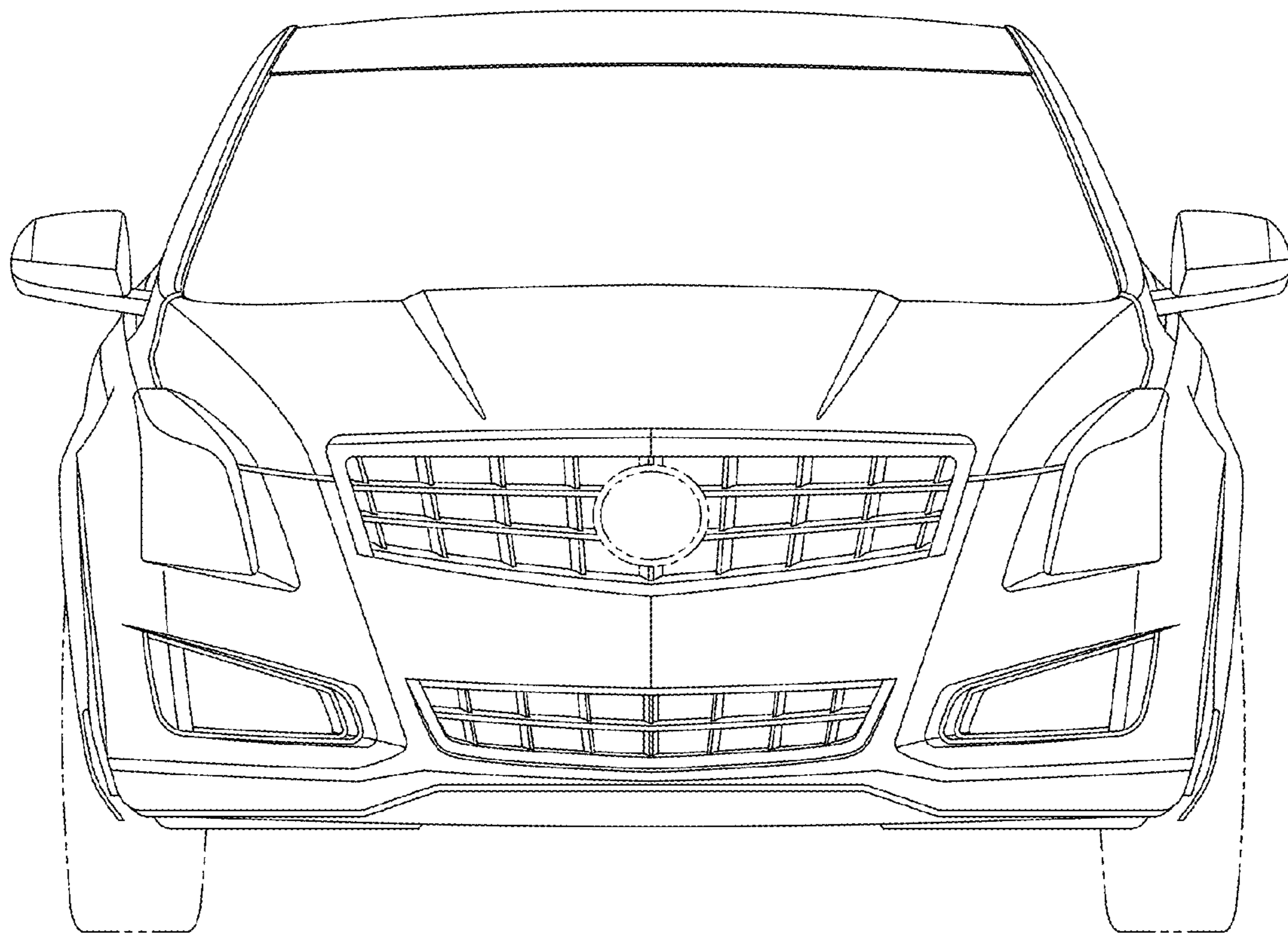


Fig-2

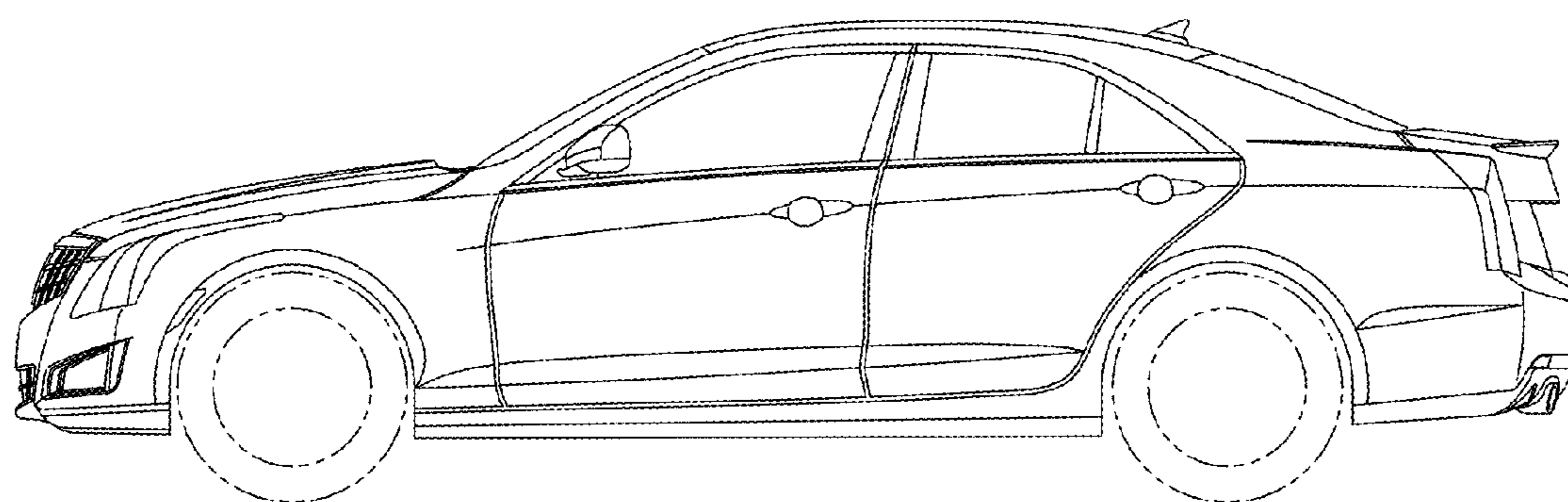


Fig-3

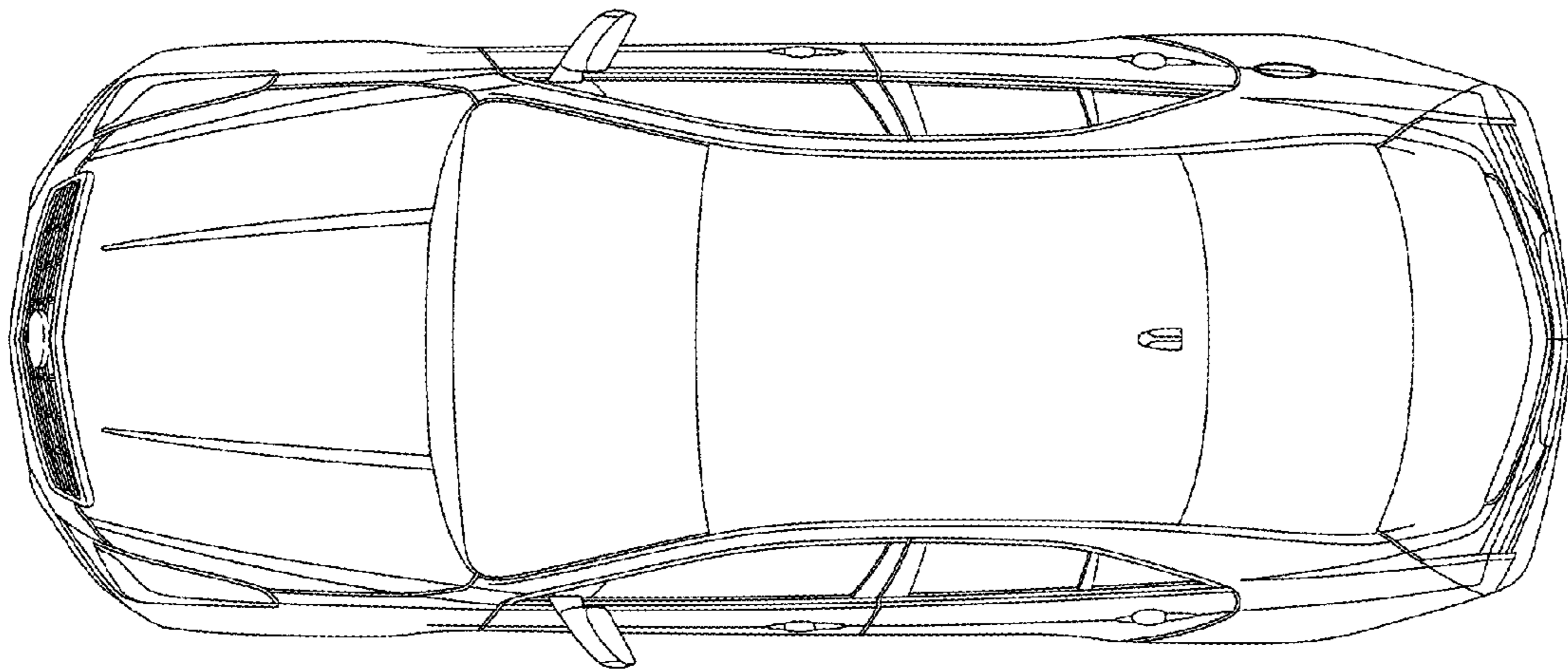


Fig-4

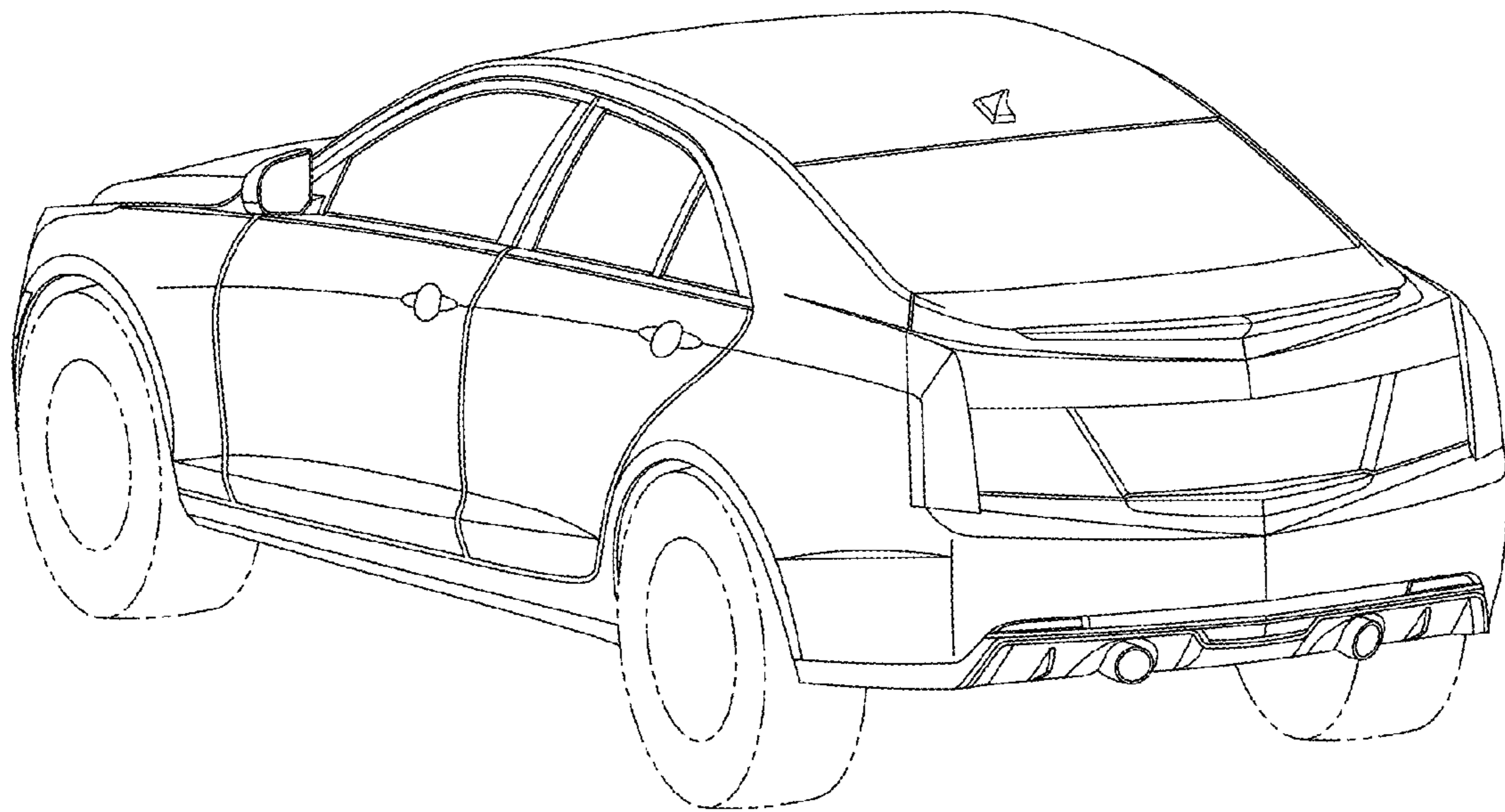


Fig-5

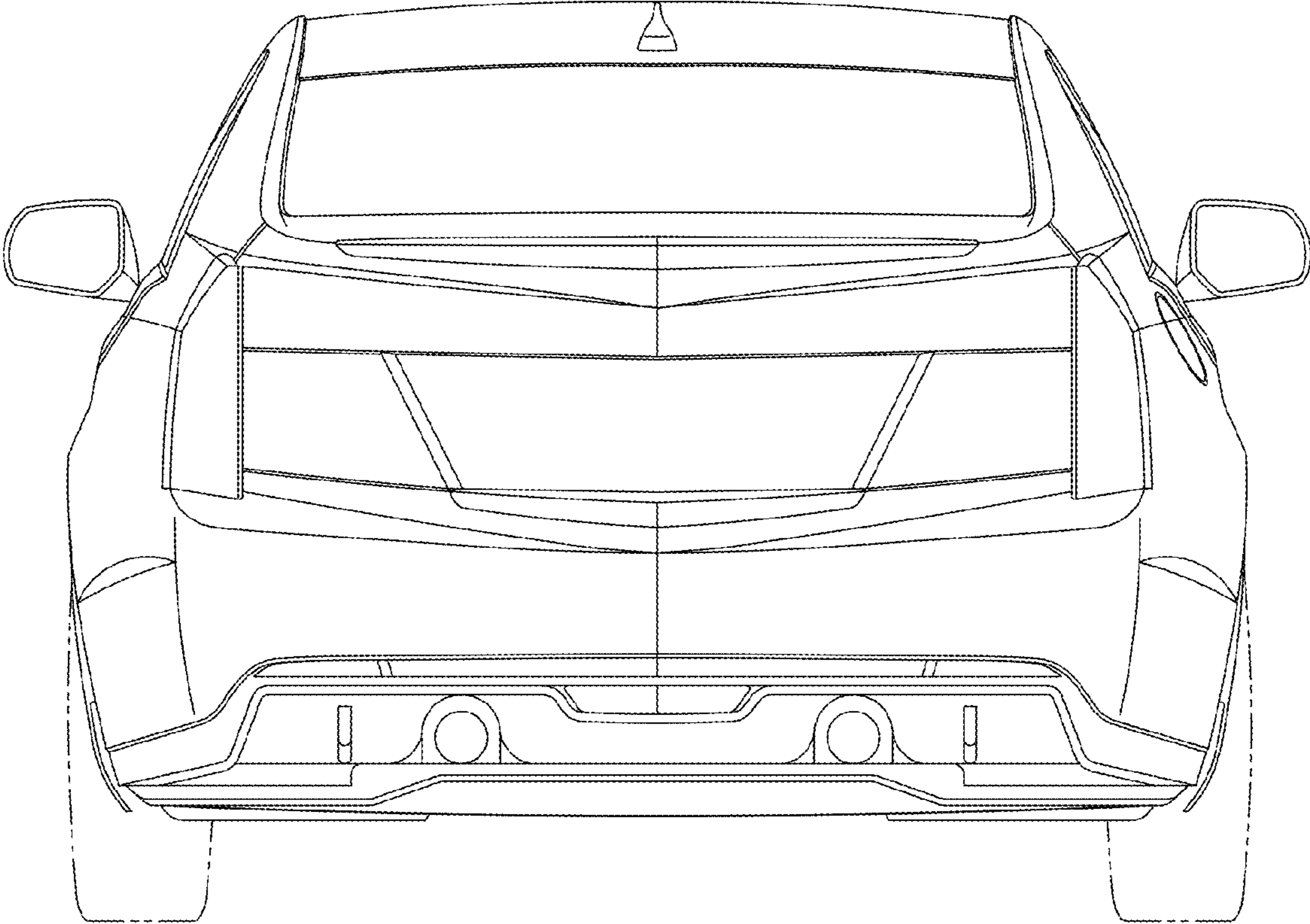


Fig-6