



US00D680906S

(12) **United States Design Patent**
Sugimoto et al.

(10) **Patent No.:** **US D680,906 S**

(45) **Date of Patent:** **** Apr. 30, 2013**

(54) **AUTOMOBILE AND/OR TOY REPLICA THEREOF**

(75) Inventors: **Satoru Sugimoto**, Toyota (JP); **Shinichi Hiranaka**, Miyoshi (JP); **Shin Miyata**, Nisshin (JP); **Masanari Sakae**, Toyota (JP); **Hiroyuki Tada**, Nagoya (JP)

(73) Assignee: **Toyota Jidosha Kabushiki Kaisha**, Toyota-shi (JP)

(**) Term: **14 Years**

(21) Appl. No.: **29/402,145**

(22) Filed: **Sep. 21, 2011**

(51) **LOC (9) Cl.** **12-08**

(52) **U.S. Cl.**
USPC **D12/91**

(58) **Field of Classification Search** D12/86,
D12/90-92; D21/424, 433, 434; 296/181.1,
296/181.5

See application file for complete search history.

(56) **References Cited**

U.S. PATENT DOCUMENTS

| | | | |
|--------------|---------|-----------------|--------|
| D505,359 S | 5/2005 | Suzuki et al. | |
| D512,000 S | 11/2005 | Suzuki et al. | |
| D626,040 S | 10/2010 | Sakae et al. | |
| D626,886 S | 11/2010 | Sakae et al. | |
| D633,823 S * | 3/2011 | Matei et al. | D12/91 |
| D642,093 S * | 7/2011 | Kubo et al. | D12/91 |
| D655,648 S * | 3/2012 | Imaiida et al. | D12/91 |
| D657,715 S * | 4/2012 | Hakamata et al. | D12/91 |

OTHER PUBLICATIONS

Brochure of LX570, Toyota, model Lexus LX570, Nov. 2009.

Brochure of RX450h, Toyota, model Lexus RX450h, Aug. 2008.
Website: http://www.netcarshow.com/audi/2012-a6/800x600/wallpaper_Oa.htm, Audi, model Audi A6, (date unspecified).

Website: http://www.netcarshow.com/bmw/2010-x6_m/800x600/wallpaper_09.htm, BMW, model MMW X6M, Feb. 2011.

Website: http://www.netcarshow.com/lexus/2011-ct_200h/800x600/wallpaper_23.htm, Lexus, model Lexus CT200h (date unspecified).

* cited by examiner

Primary Examiner — Melody N Brown

(74) *Attorney, Agent, or Firm* — Finnegan, Henderson, Farabow, Garrett & Dunner, LLP

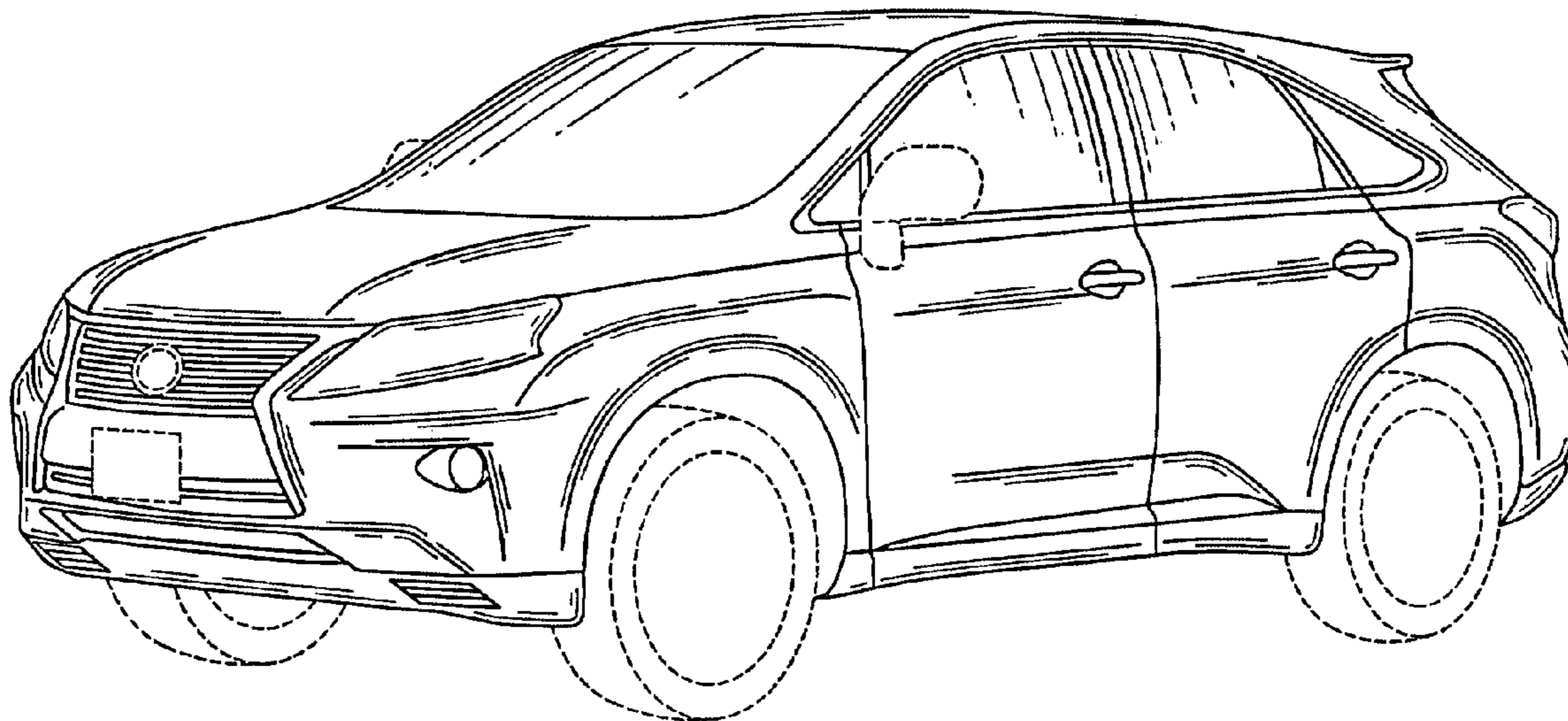
(57) **CLAIM**

The ornamental design for an automobile and/or toy replica thereof, as shown and described.

DESCRIPTION

FIG. 1 is a front perspective view of an automobile and/or toy replica thereof showing our new design;
FIG. 2 is a rear perspective view thereof;
FIG. 3 is a right side view thereof, the left side being a mirror image thereof;
FIG. 4 is a front view thereof;
FIG. 5 is a rear view thereof; and,
FIG. 6 is a top plan view thereof.
The elements depicted in broken lines are environment, and form no part of the claimed design.

1 Claim, 6 Drawing Sheets



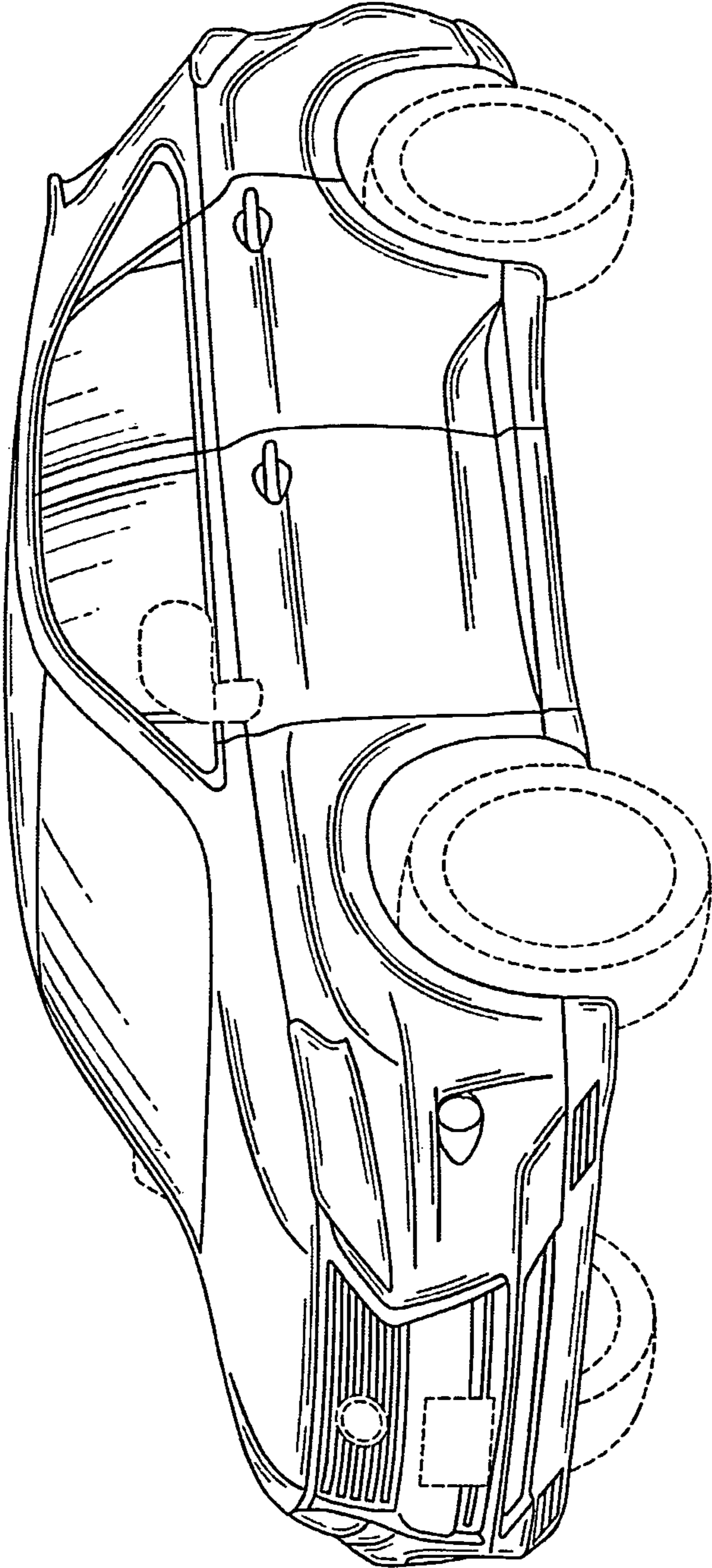


FIG. 1

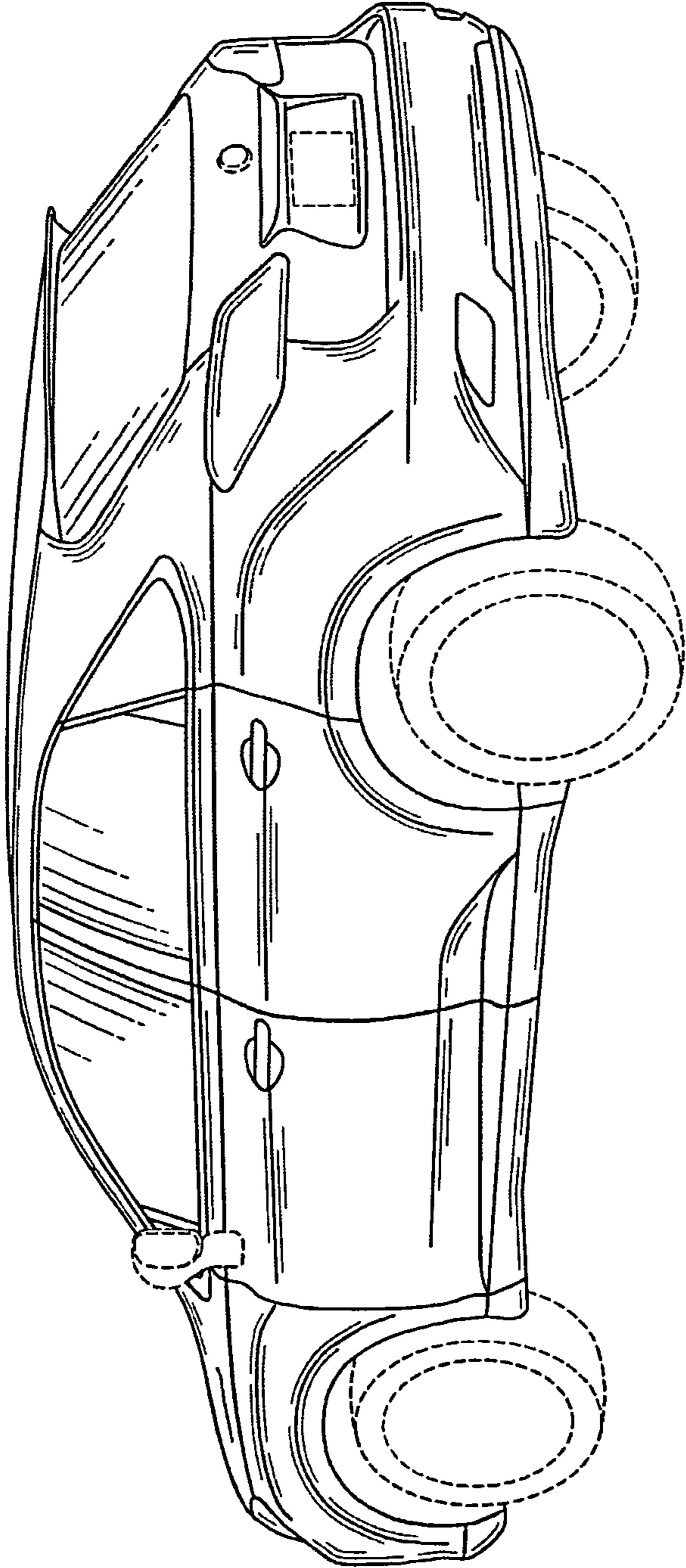


FIG. 2

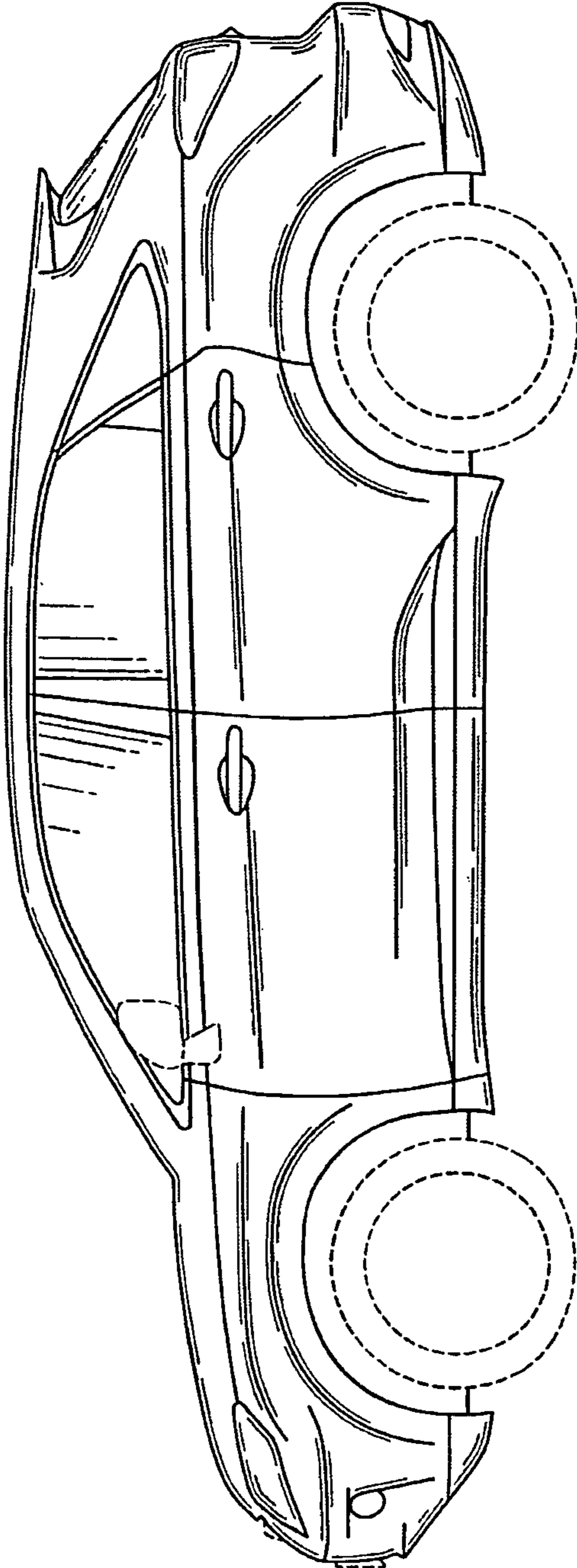


FIG. 3

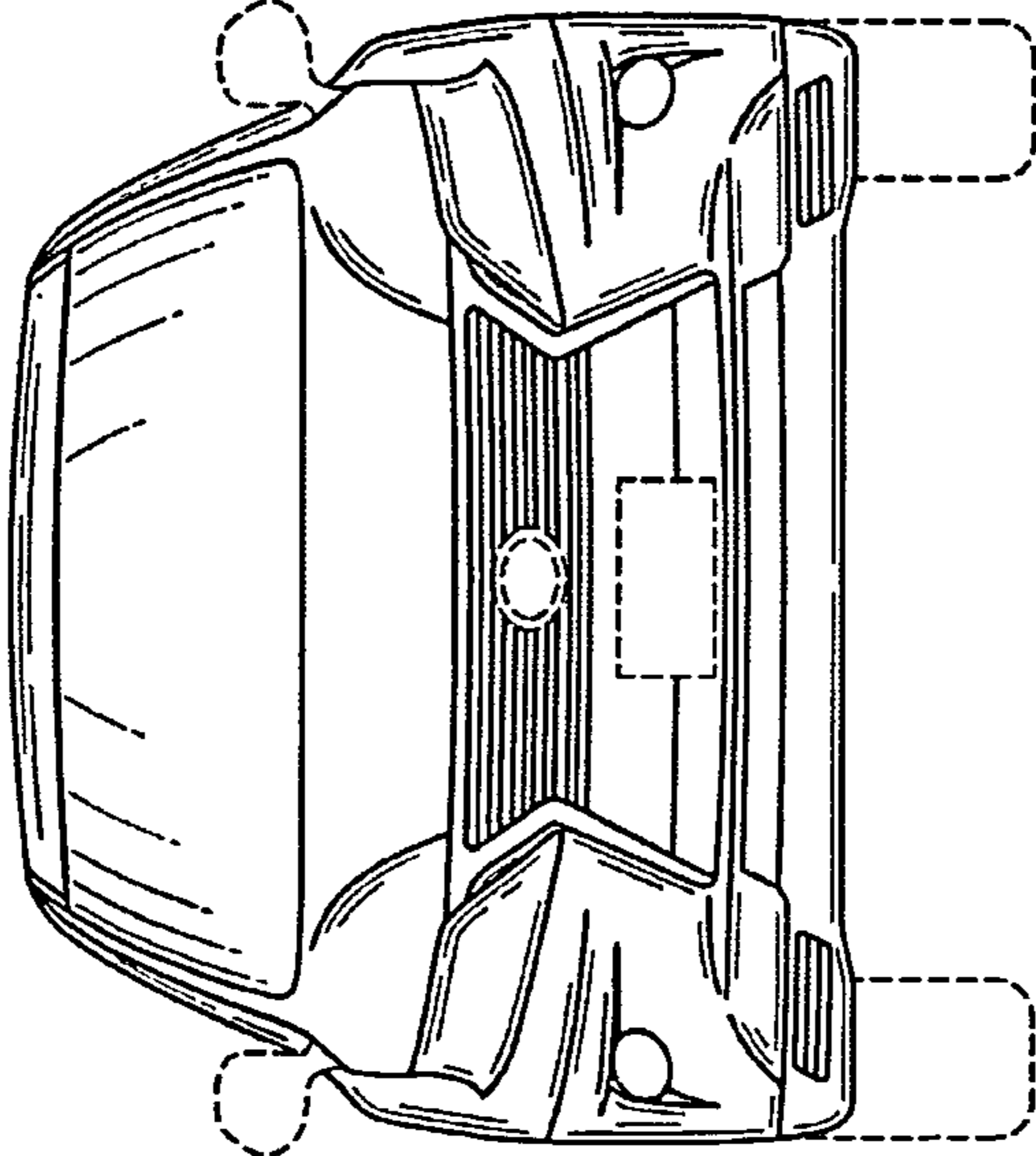


FIG. 4

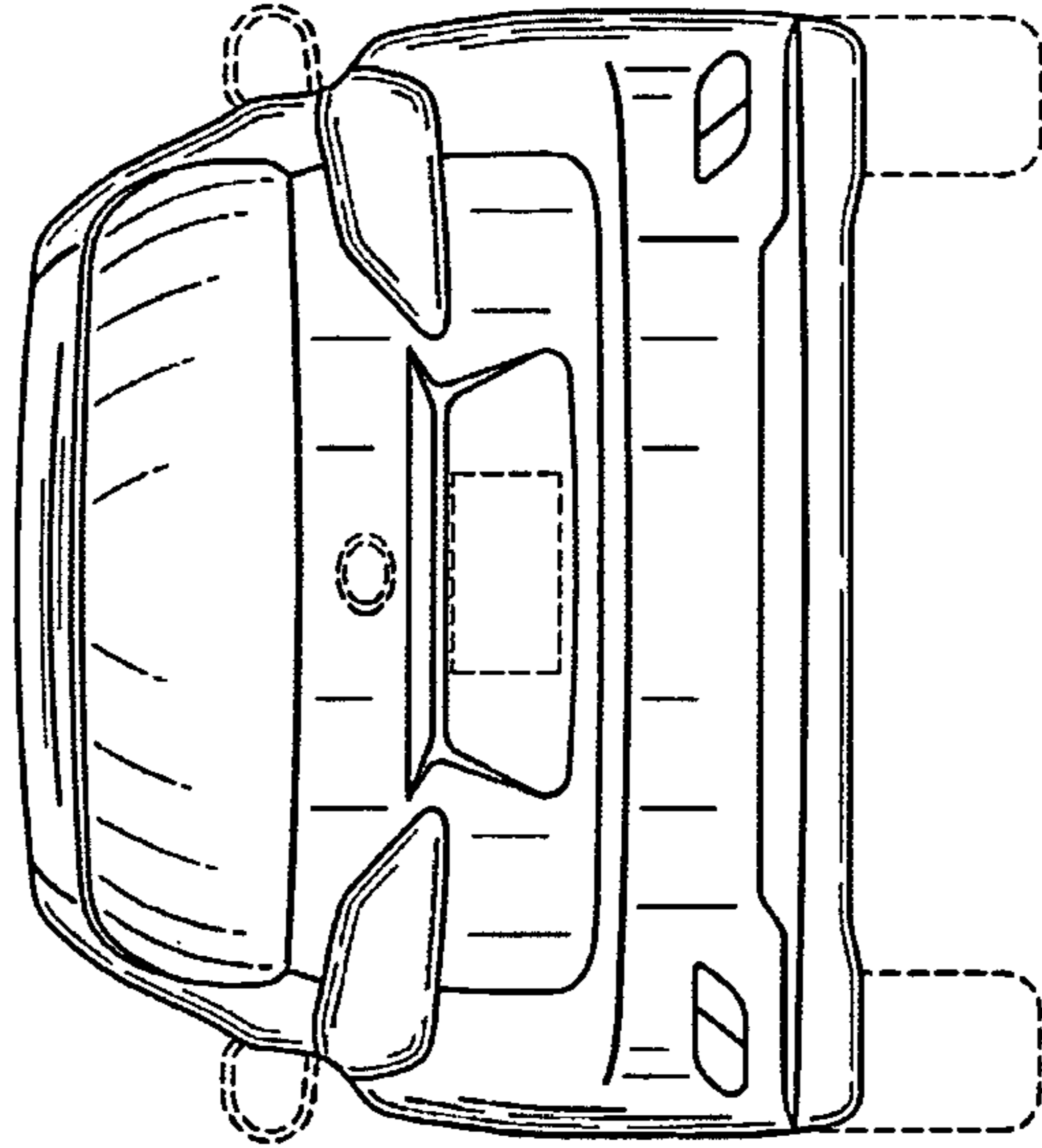


FIG. 5

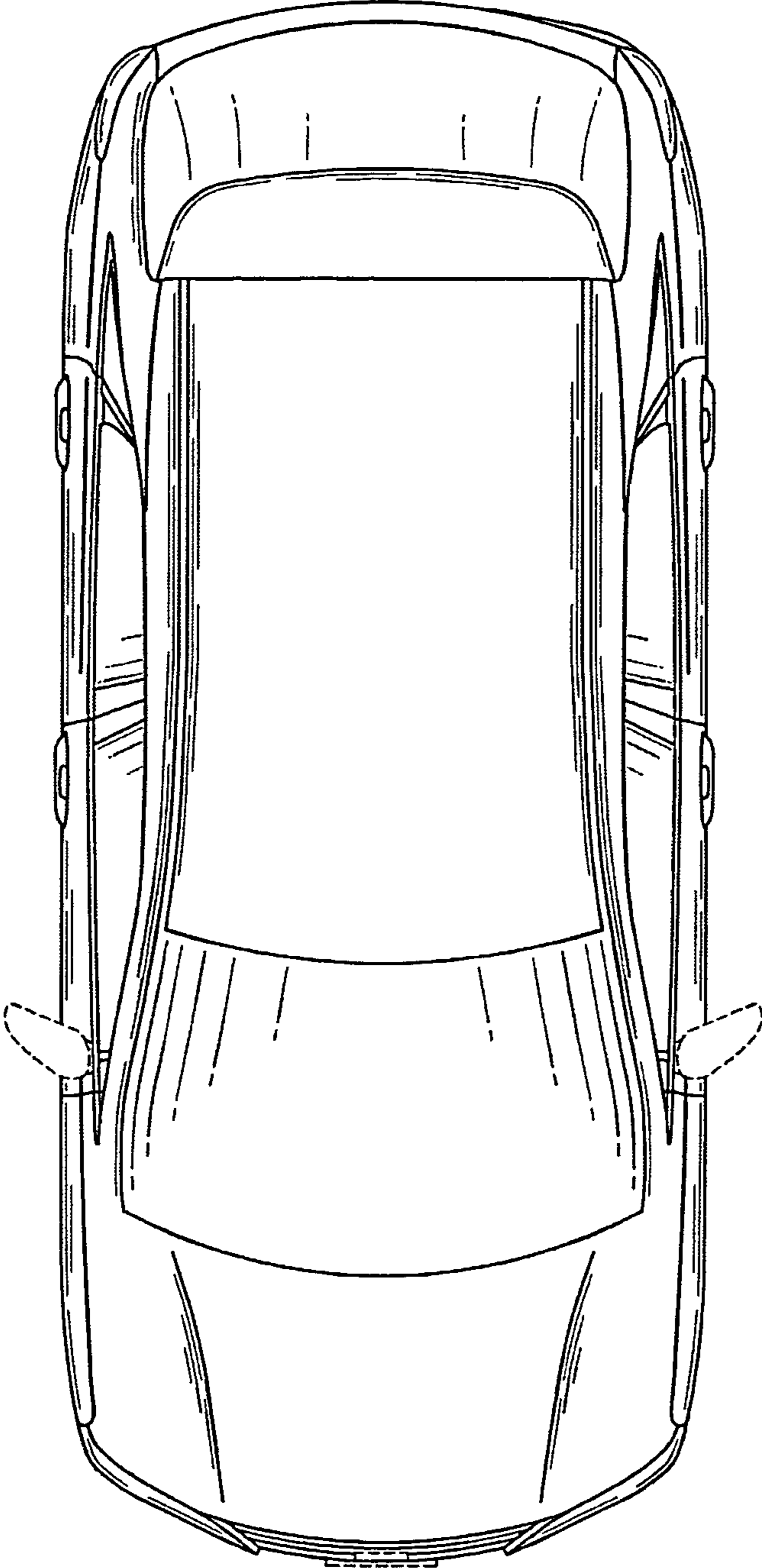


FIG. 6