



US00D680903S

(12) **United States Design Patent**  
**Chan**

(10) **Patent No.:** **US D680,903 S**

(45) **Date of Patent:** **\*\* Apr. 30, 2013**

(54) **PORTION OF A CLIP HOLDER**

(75) Inventor: **Yick Fai Chan**, Tsuen Wan (HK)

(73) Assignee: **Duraflex Hong Kong Limited**, Hong Kong (CN)

(\*\*) Term: **14 Years**

(21) Appl. No.: **29/424,287**

(22) Filed: **Jun. 11, 2012**

(51) **LOC (9) Cl.** ..... **02-07**

(52) **U.S. Cl.**  
USPC ..... **D11/218**

(58) **Field of Classification Search** ..... D11/1-2,  
D11/200-201, 206-210, 214-218; 24/163 R,  
24/169-171, 173, 177-179, 191, 194-195,  
24/197, 200, 614-616, 625

See application file for complete search history.

(56) **References Cited**

U.S. PATENT DOCUMENTS

D301,702 S \* 6/1989 Peterson ..... D11/230  
D579,819 S \* 11/2008 Brown ..... D11/231

\* cited by examiner

*Primary Examiner* — Ralf Seifert

(74) *Attorney, Agent, or Firm* — Collard & Roe, P.C.

(57) **CLAIM**

The ornamental design for a portion of a clip holder, as shown and described.

**DESCRIPTION**

FIG. 1 is a top perspective view of my design for a portion of a clip holder;

FIG. 2 is a top view thereof;

FIG. 3 is a bottom view thereof;

FIG. 4 is a front end view thereof;

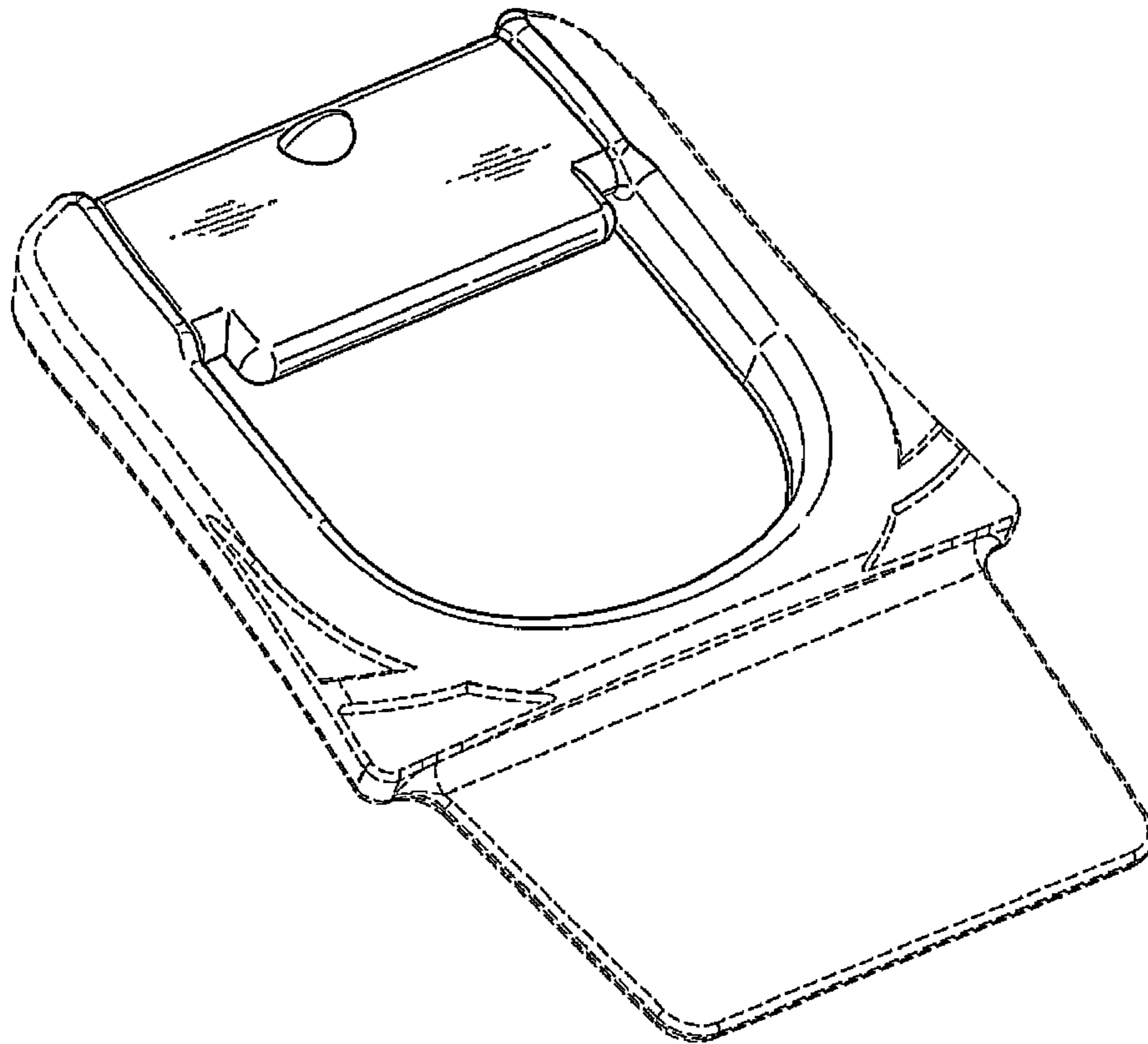
FIG. 5 is a rear end view thereof;

FIG. 6 is a left side view thereof; and,

FIG. 7 is a right side view thereof.

The areas shown in broken lines show environmental structure only and form no part of the claimed design.

**1 Claim, 3 Drawing Sheets**



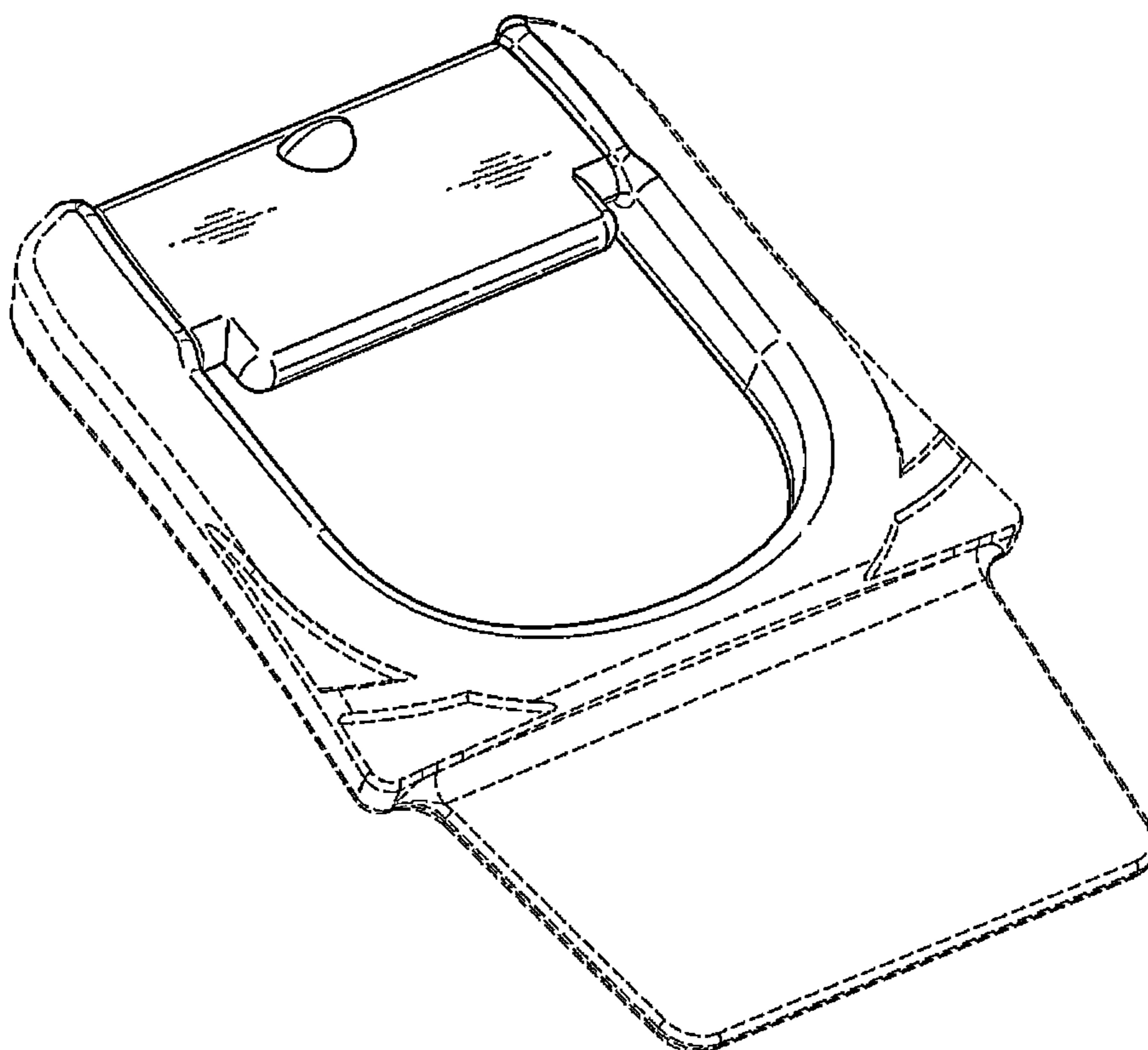


FIG. 1

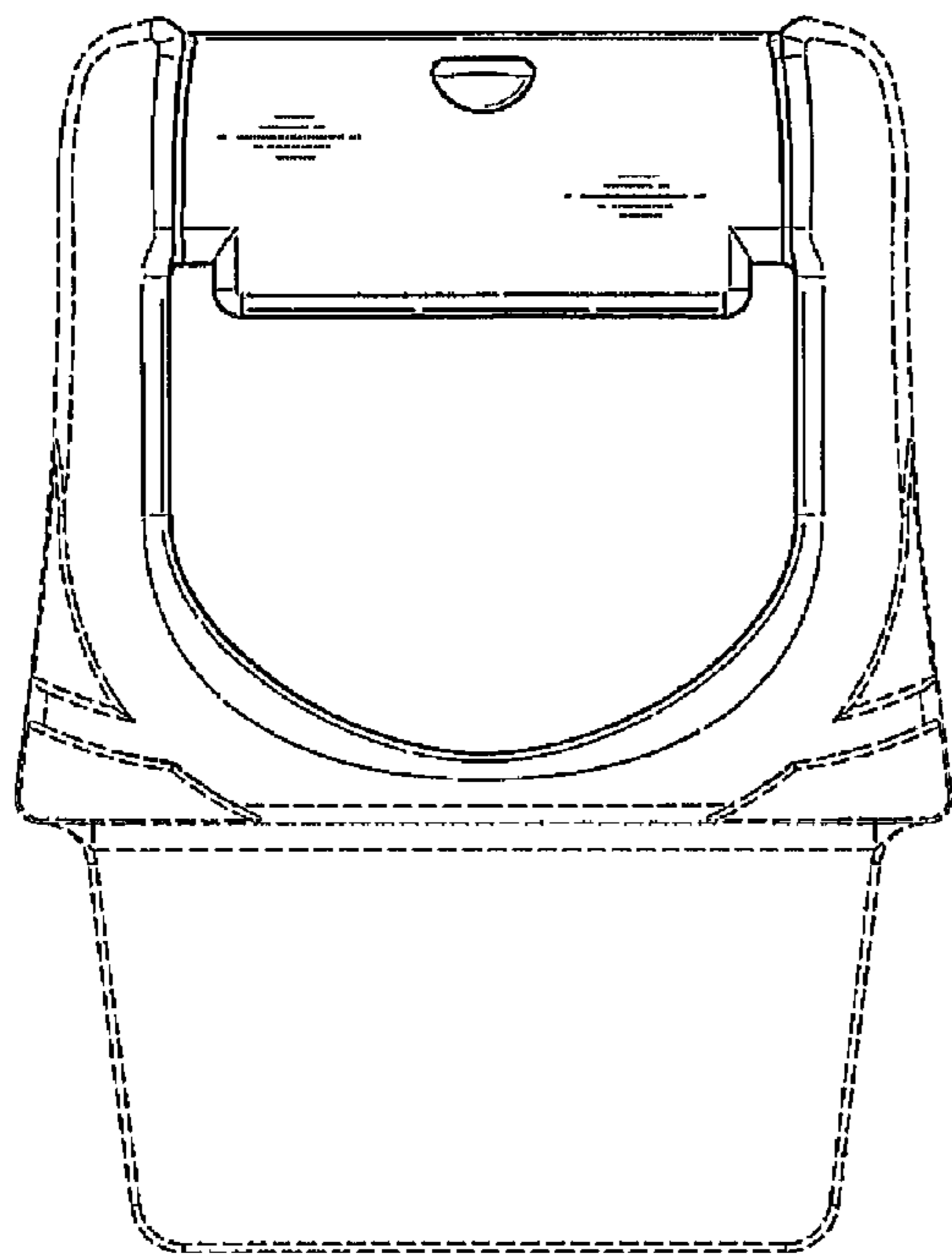


FIG. 2

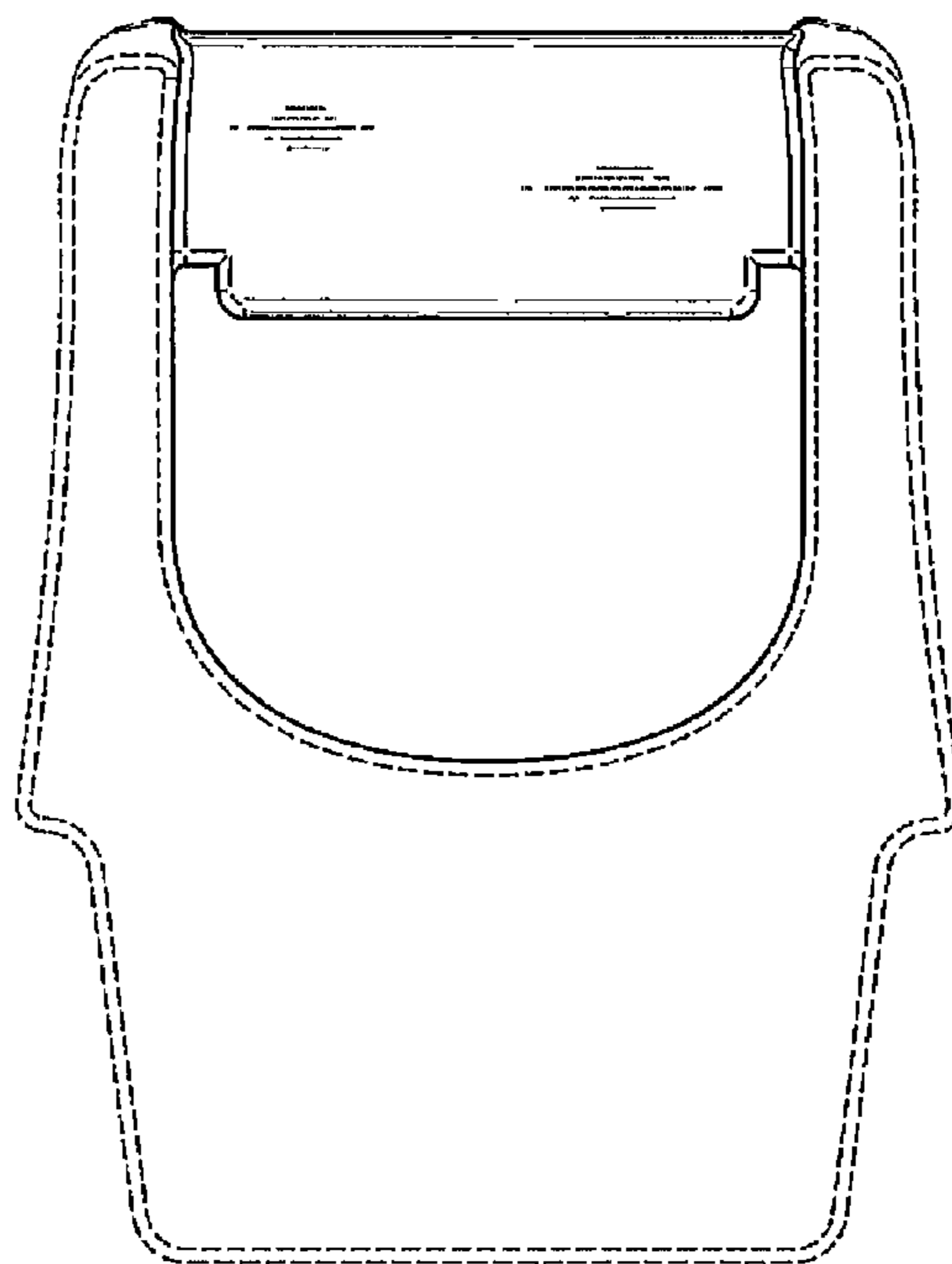


FIG. 3



FIG. 4

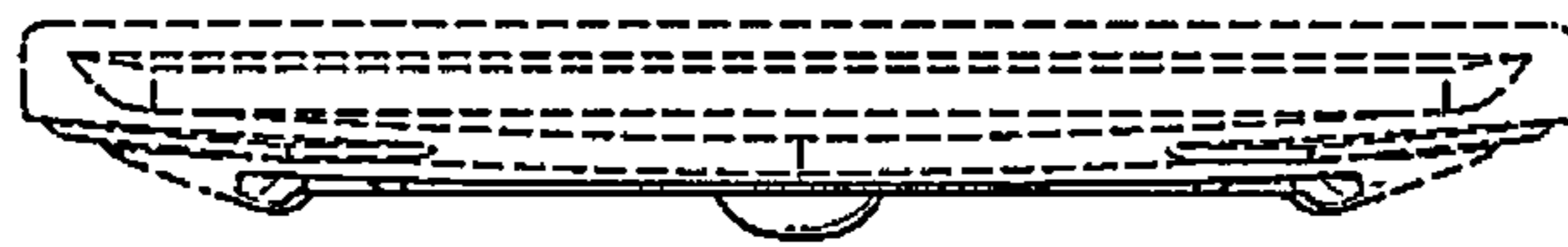


FIG. 5

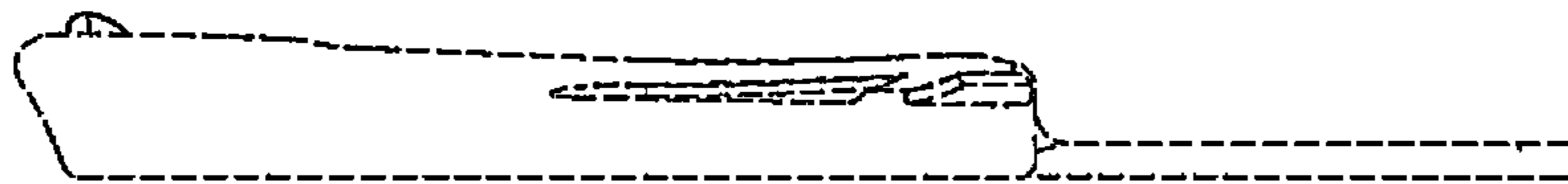


FIG. 6

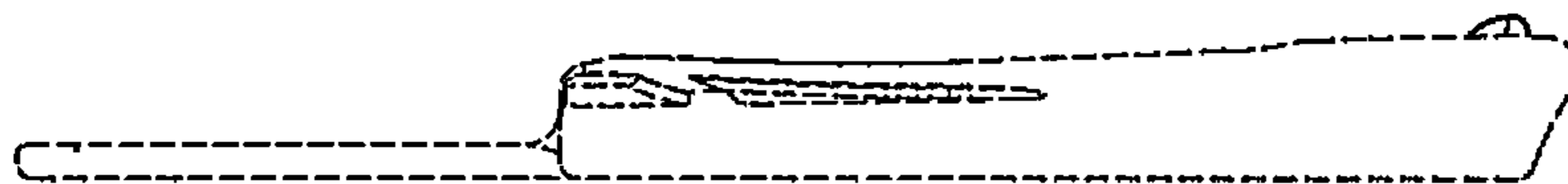


FIG. 7