



US00D680902S

(12) **United States Design Patent**
Chan

(10) **Patent No.:** **US D680,902 S**

(45) **Date of Patent:** **** Apr. 30, 2013**

(54) **D-RING**

(75) Inventor: **Yick Fai Chan**, Tsuen Wan (HK)

(73) Assignee: **Duraflex Hong Kong Limited**, Hong Kong (HK)

(**) Term: **14 Years**

(21) Appl. No.: **29/423,911**

(22) Filed: **Jun. 6, 2012**

(51) **LOC (9) Cl.** **02-07**

(52) **U.S. Cl.**
USPC **D11/218**

(58) **Field of Classification Search** D11/1-2,
D11/200-201, 206-210, 214-218; 24/163 R,
24/169-171, 173, 177-179, 191, 194-195,
24/197, 200, 614-616, 625
See application file for complete search history.

(56) **References Cited**

U.S. PATENT DOCUMENTS

D124,604 S * 1/1941 Goodwin D11/216

D568,786 S * 5/2008 Yang et al. D11/218
D619,928 S * 7/2010 Bodino et al. D11/231
D654,397 S * 2/2012 Wong D11/218

* cited by examiner

Primary Examiner — Ralf Seifert

(74) *Attorney, Agent, or Firm* — Collard & Roe, P.C.

(57) **CLAIM**

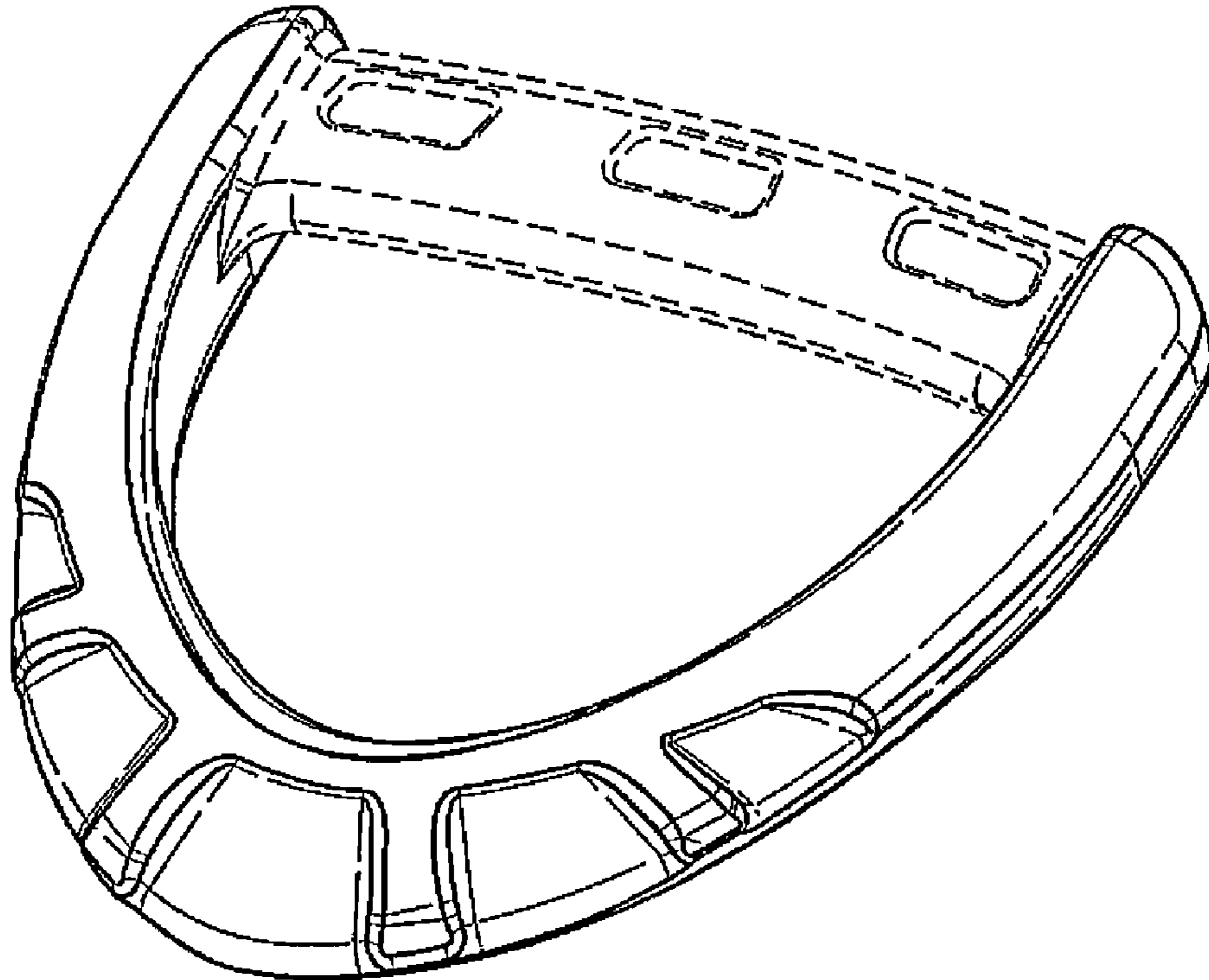
The ornamental design for a D-ring, as shown and described.

DESCRIPTION

FIG. 1 is a bottom perspective view of my design for a D-ring;
FIG. 2 is a top perspective view thereof;
FIG. 3 is a bottom view thereof;
FIG. 4 is a top view thereof;
FIG. 5 is a right side view thereof;
FIG. 6 is a left side view thereof;
FIG. 7 is a front view thereof; and,
FIG. 8 is a rear view thereof.

The areas shown in broken lines show environmental structure and form no part of the claimed design.

1 Claim, 3 Drawing Sheets



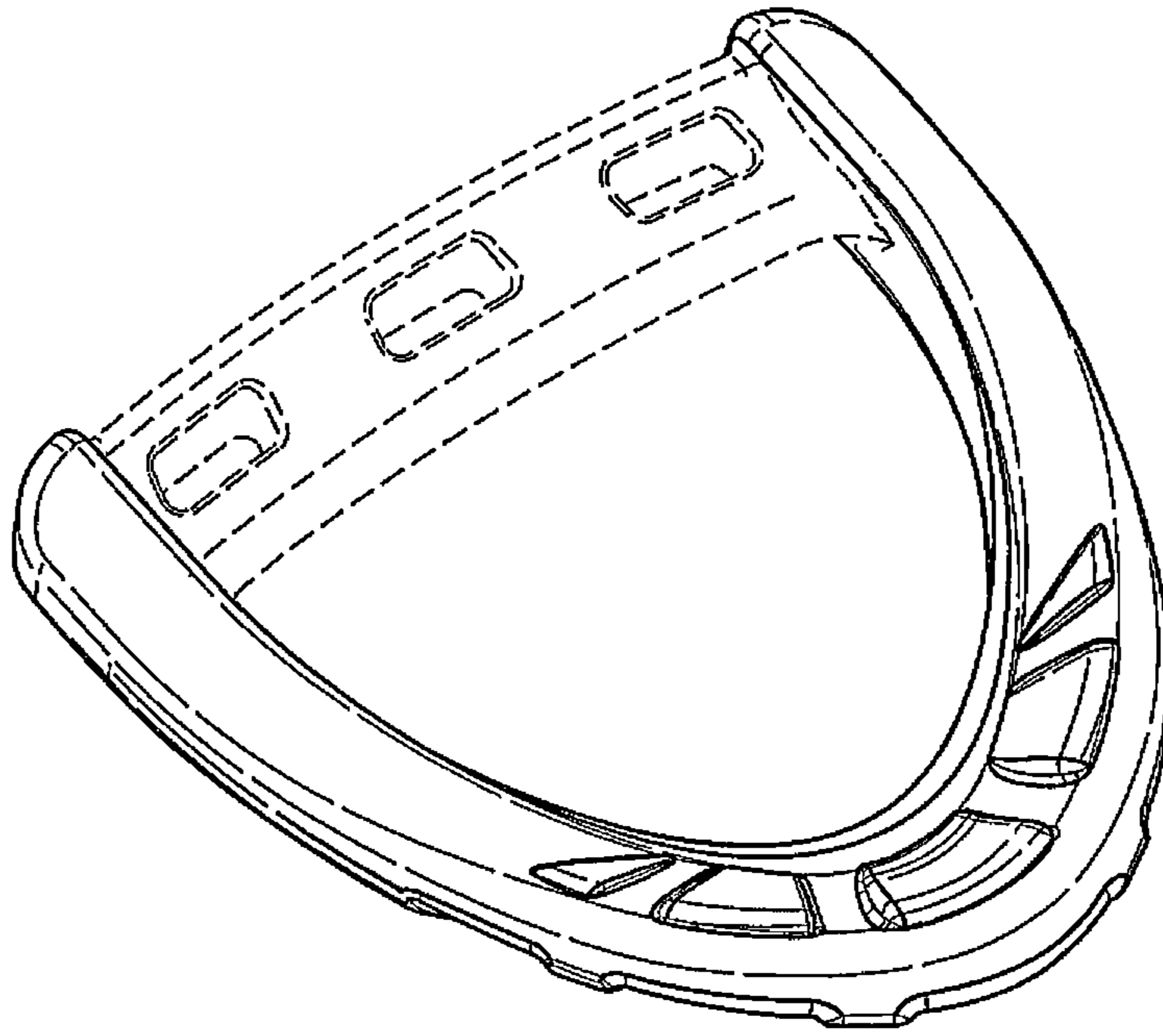


FIG. 1

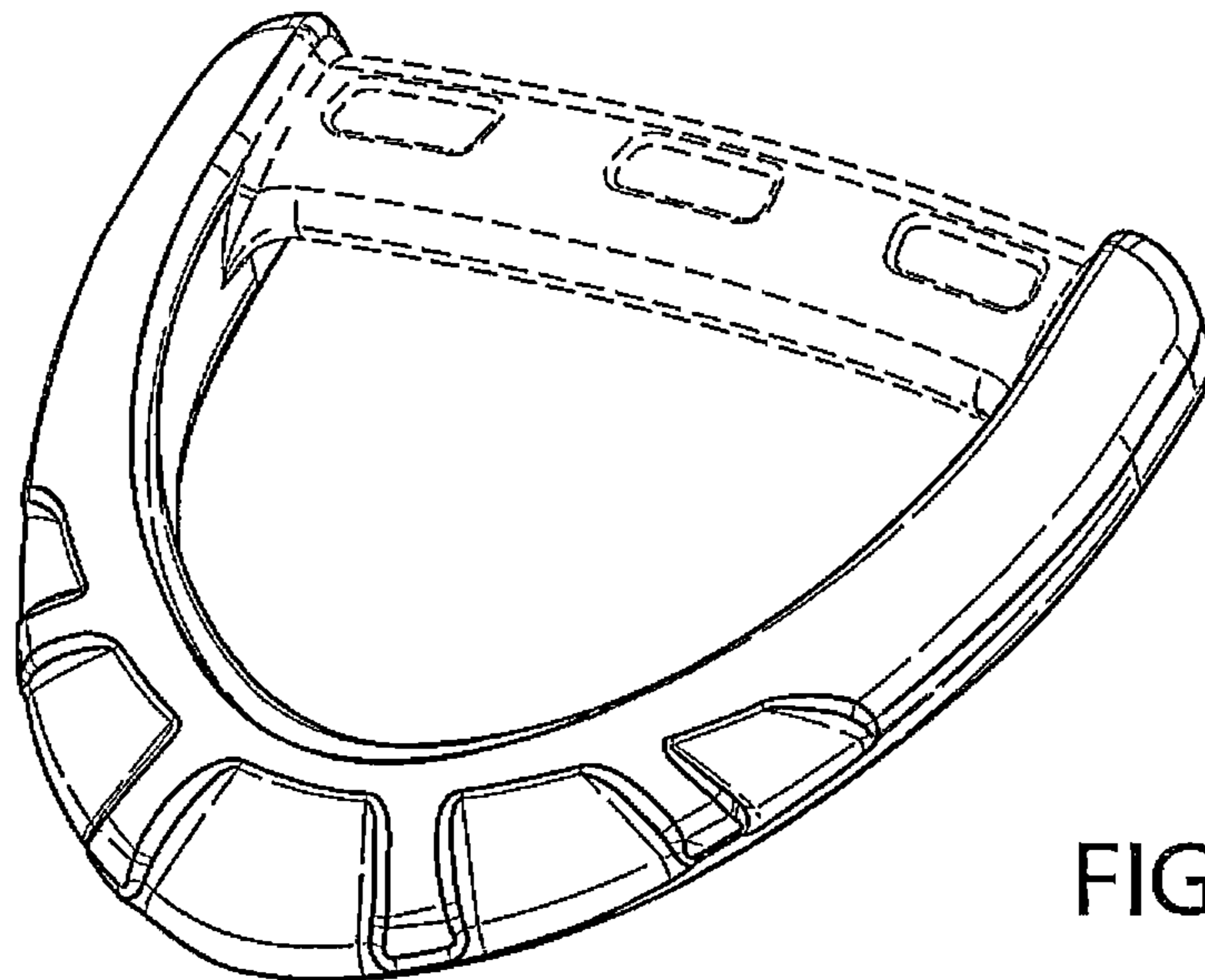


FIG. 2

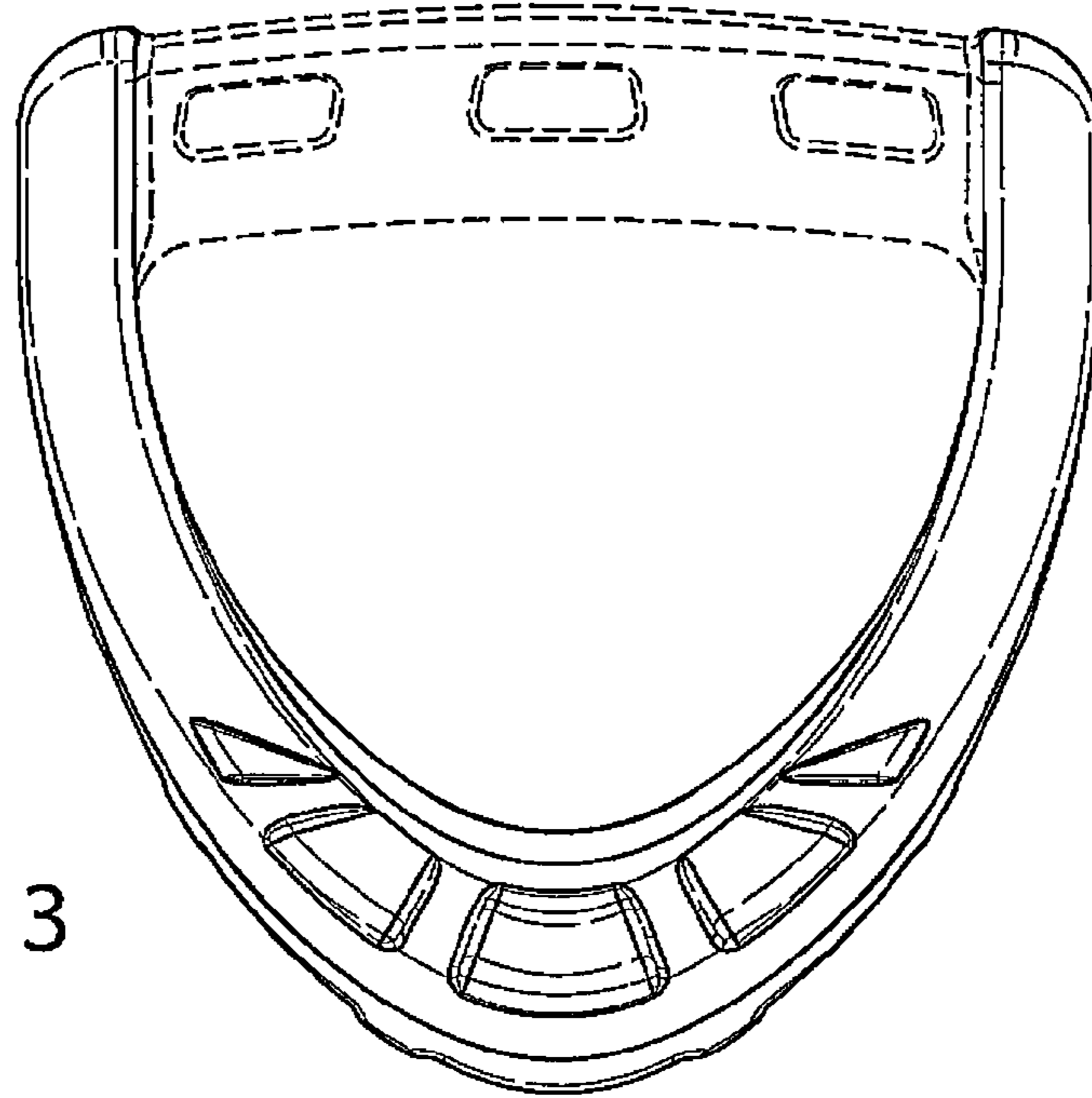


FIG. 3

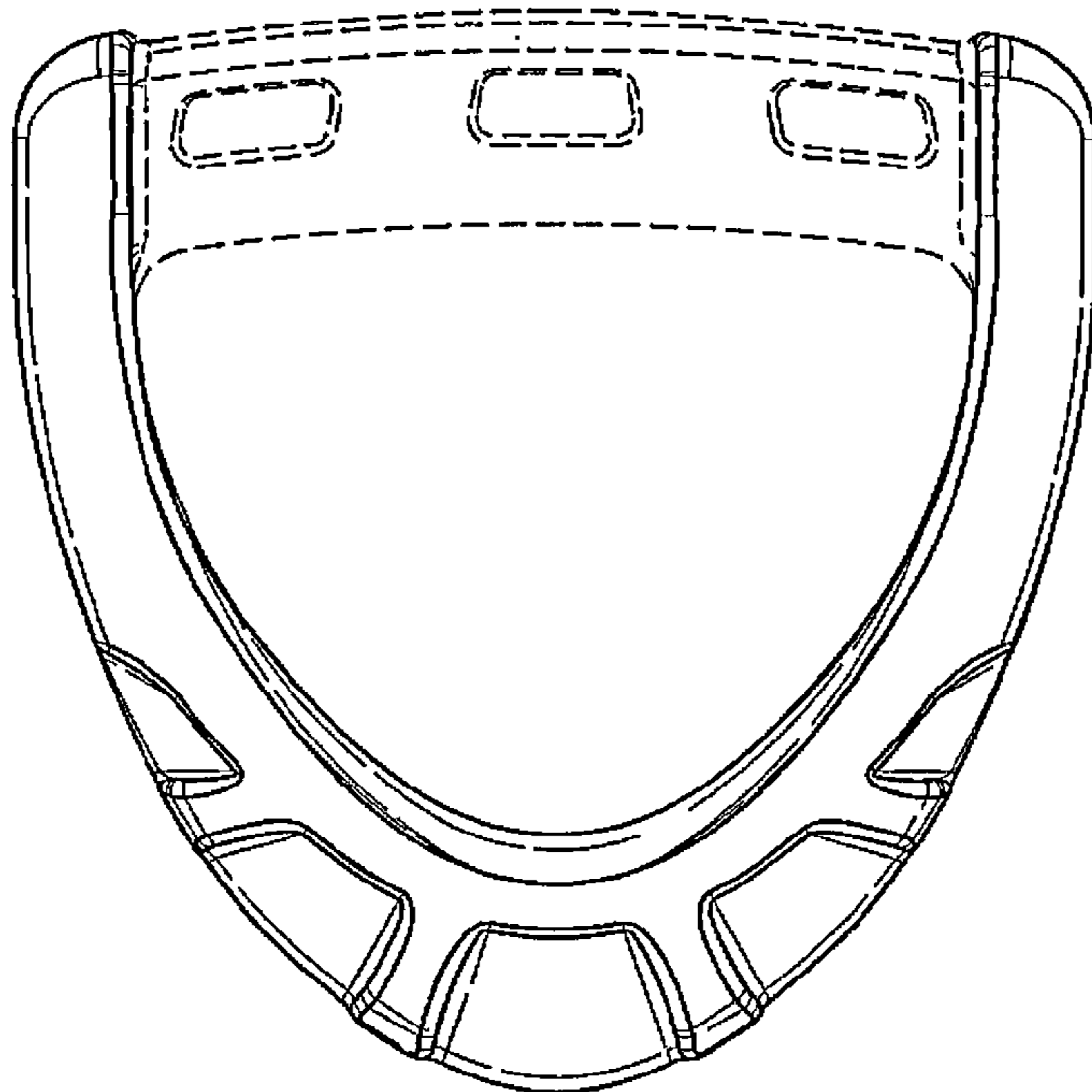


FIG. 4

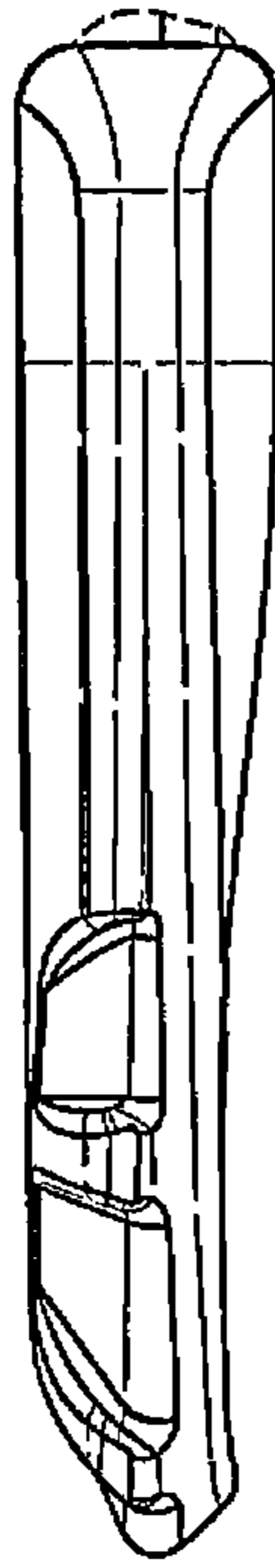


FIG. 5

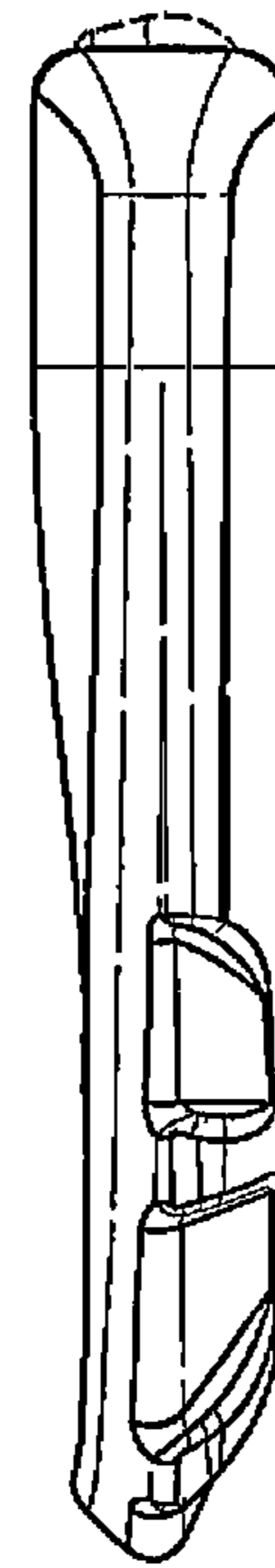


FIG. 6

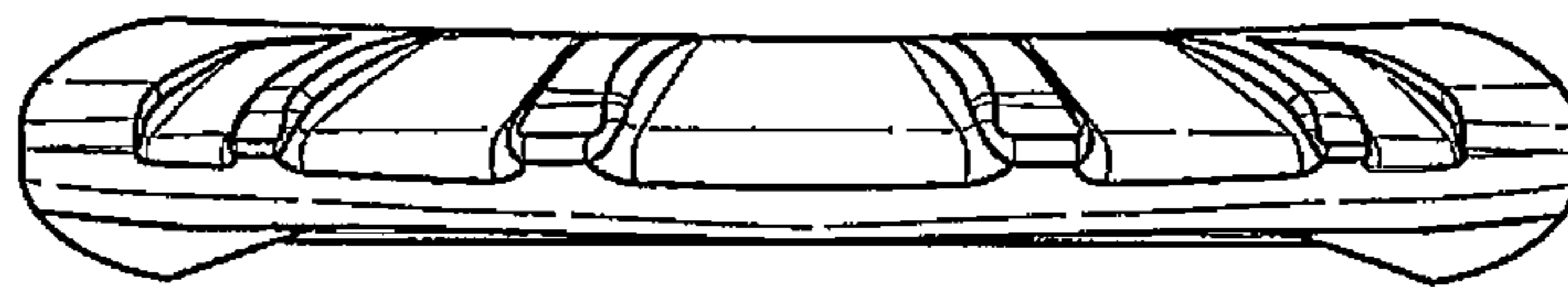


FIG. 7

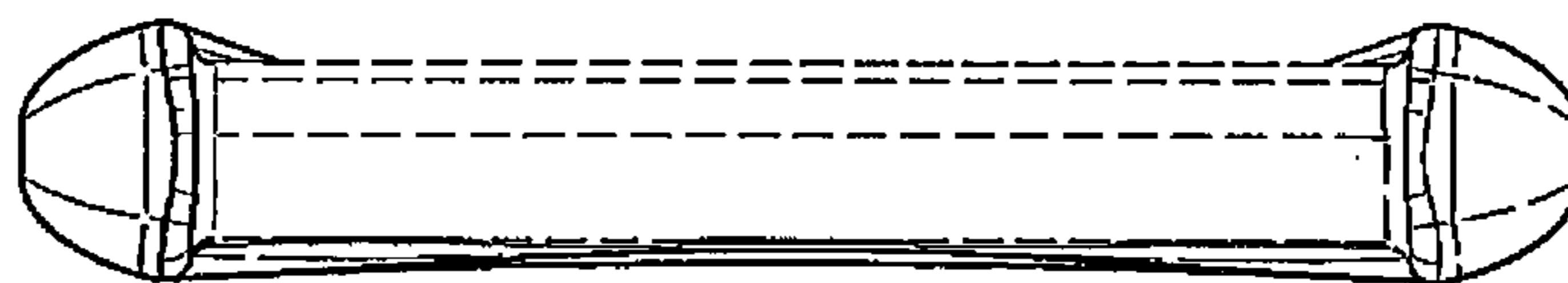


FIG. 8