



US00D680901S

(12) **United States Design Patent**
Kolasa

(10) **Patent No.:** **US D680,901 S**

(45) **Date of Patent:** **** Apr. 30, 2013**

(54) **SIDE RELEASE BUCKLE**

(75) **Inventor:** **Scott D. Kolasa**, Mount Prospect, IL
(US)

(73) **Assignee:** **Illinois Tool Works Inc.**, Glenview, IL
(US)

(**) **Term:** **14 Years**

(21) **Appl. No.:** **29/427,471**

(22) **Filed:** **Jul. 18, 2012**

(51) **LOC (9) Cl.** **02-07**

(52) **U.S. Cl.**
USPC **D11/216**

(58) **Field of Classification Search** D11/1-2,
D11/200-201, 206-210, 214-218; 24/163 R,
24/169-171, 173, 177-179, 191, 194-195,
24/197, 200, 614-616, 625
See application file for complete search history.

(56) **References Cited**

U.S. PATENT DOCUMENTS

D471,486 S *	3/2003	Uehara et al.	D11/216
7,174,609 B2 *	2/2007	Park	24/614
D625,226 S *	10/2010	Pontaoe	D11/216
D647,818 S *	11/2011	Kaneko	D11/216

OTHER PUBLICATIONS

Current ITW Nexus Part.

* cited by examiner

Primary Examiner — Ralf Seifert

(74) *Attorney, Agent, or Firm* — Paul F. Donovan; Mark W. Croll

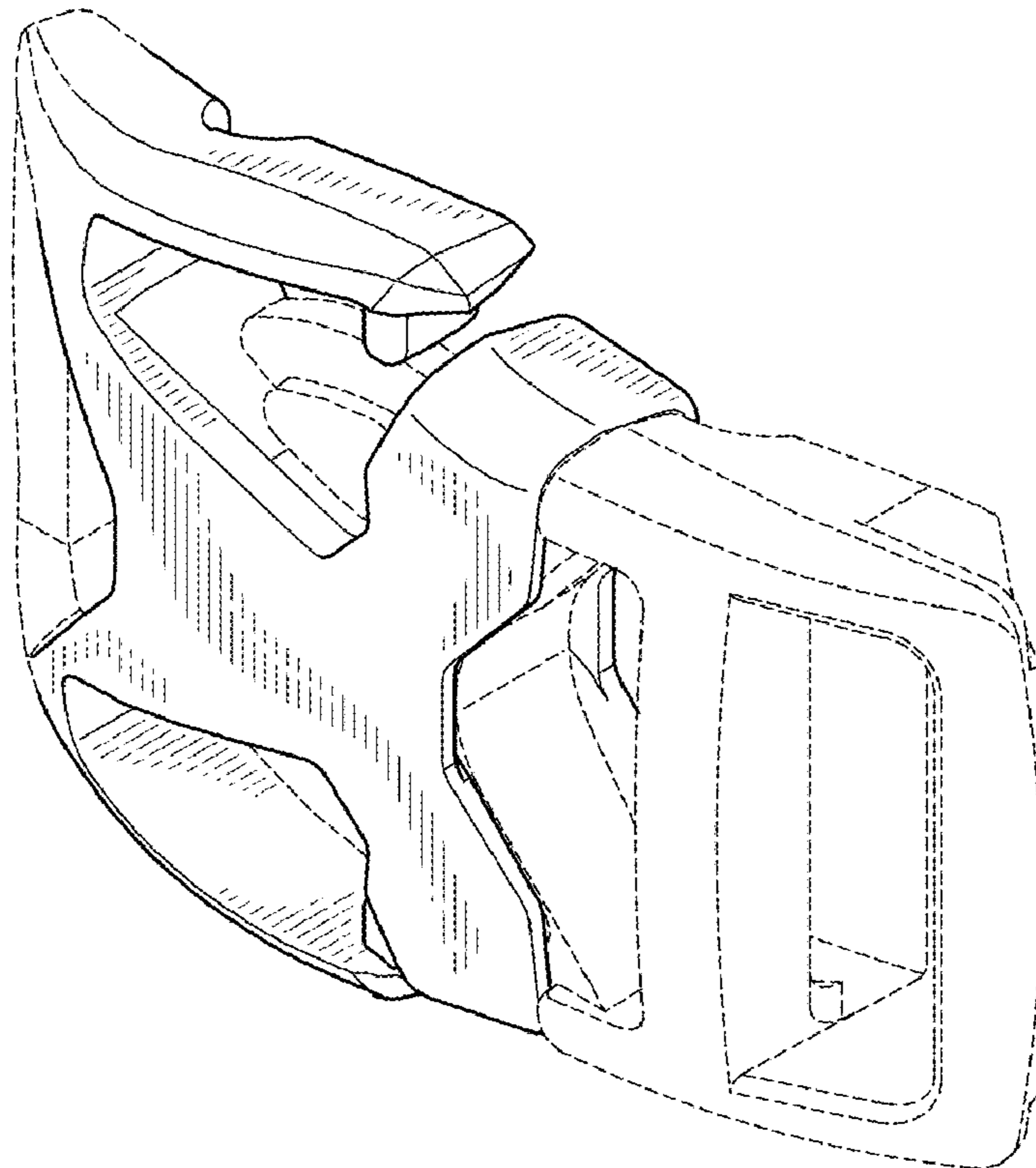
(57) **CLAIM**

The ornamental design for a side release buckle, as shown and described.

DESCRIPTION

FIG. 1 is a perspective view of the side release buckle showing the new design;
FIG. 2 is a top view thereof;
FIG. 3 is a bottom view thereof;
FIG. 4 is a left side view thereof;
FIG. 5 is a right side view thereof;
FIG. 6 is a front view thereof; and,
FIG. 7 is a back view thereof.

1 Claim, 4 Drawing Sheets



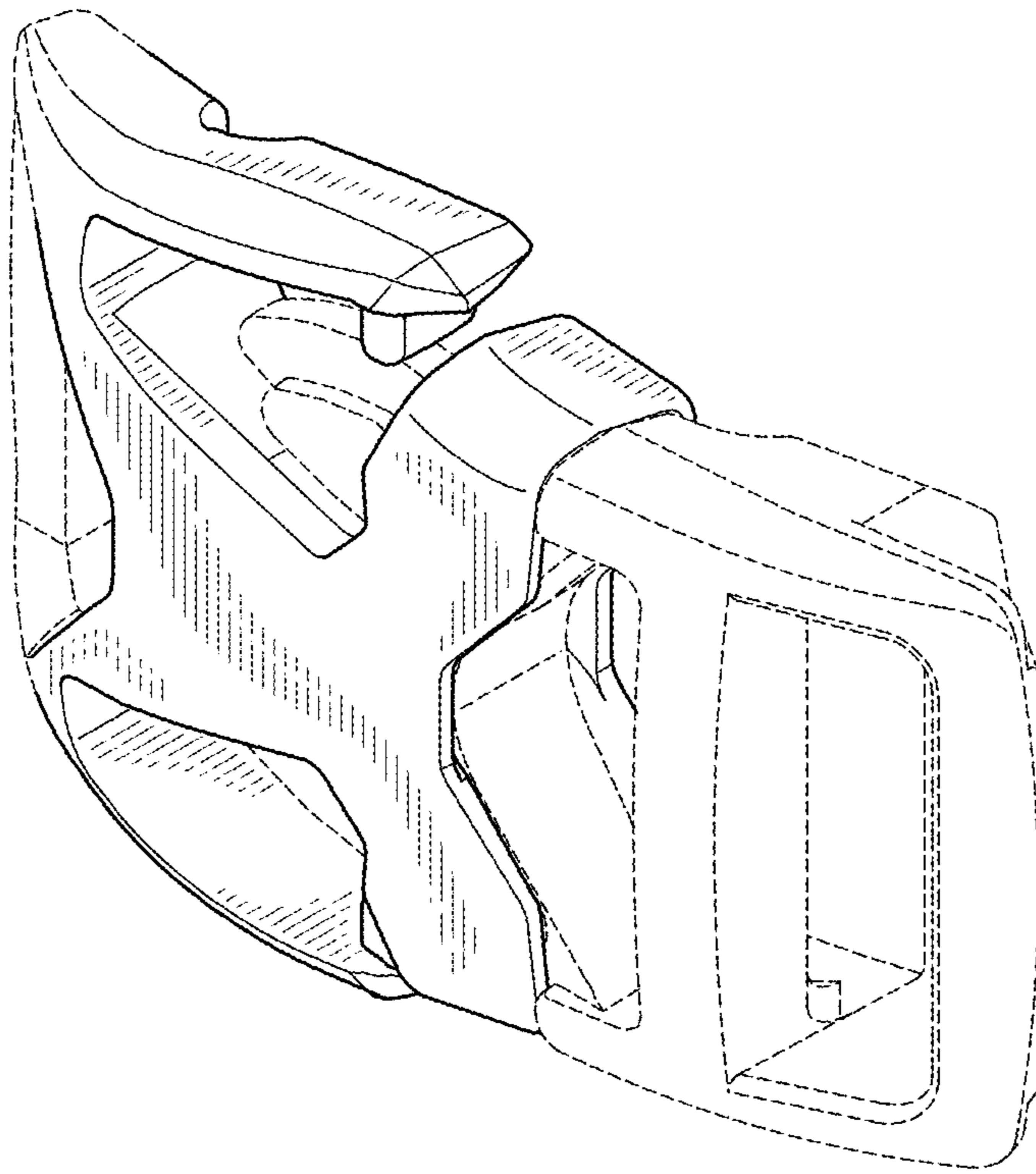


FIG. 1

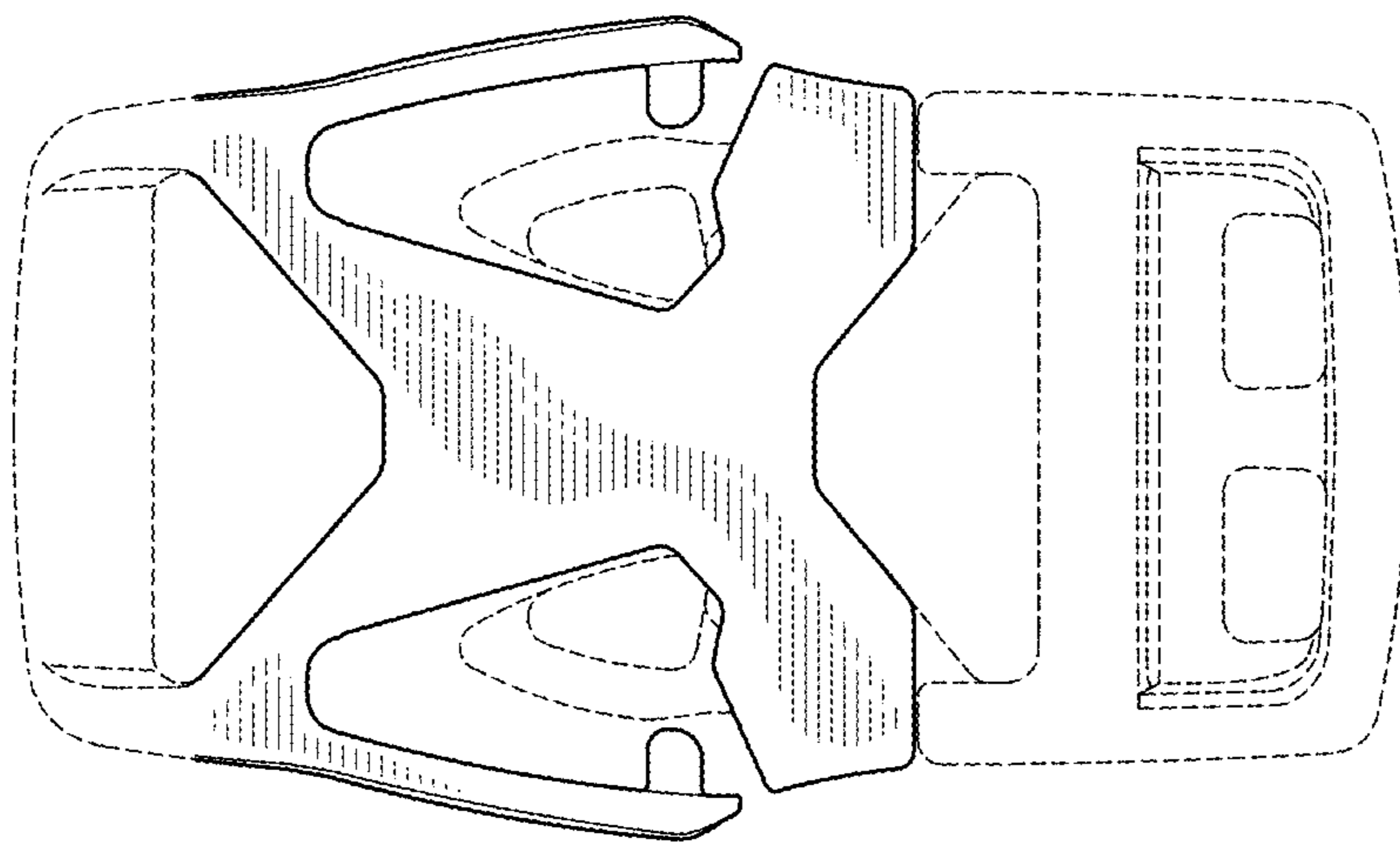


FIG. 2

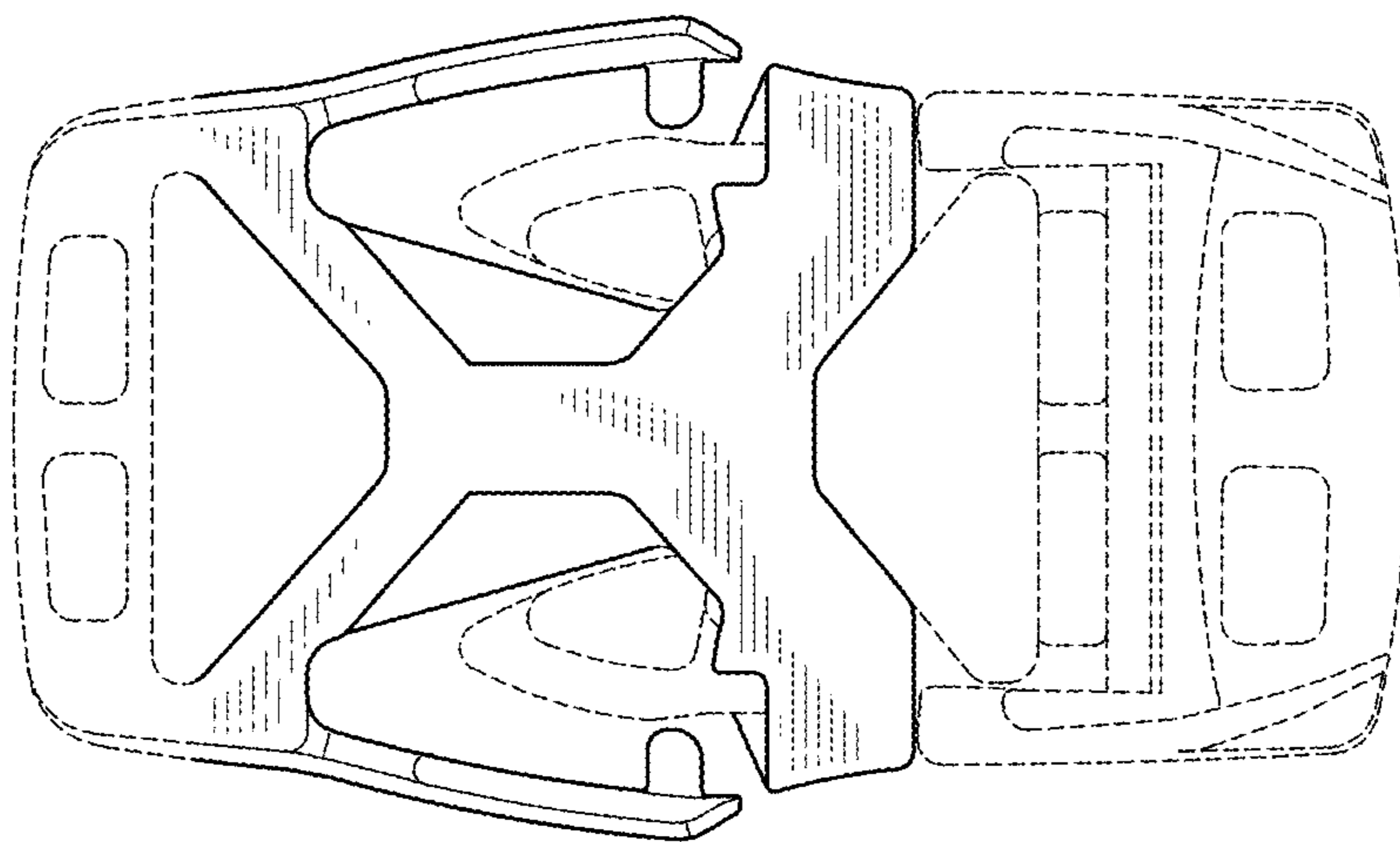


FIG. 3

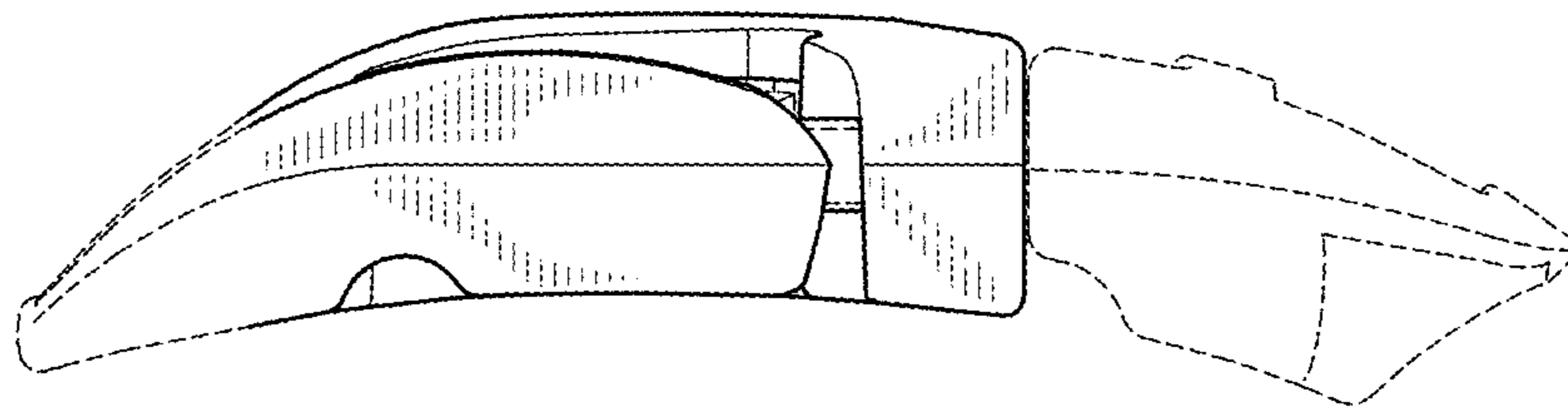


FIG. 4

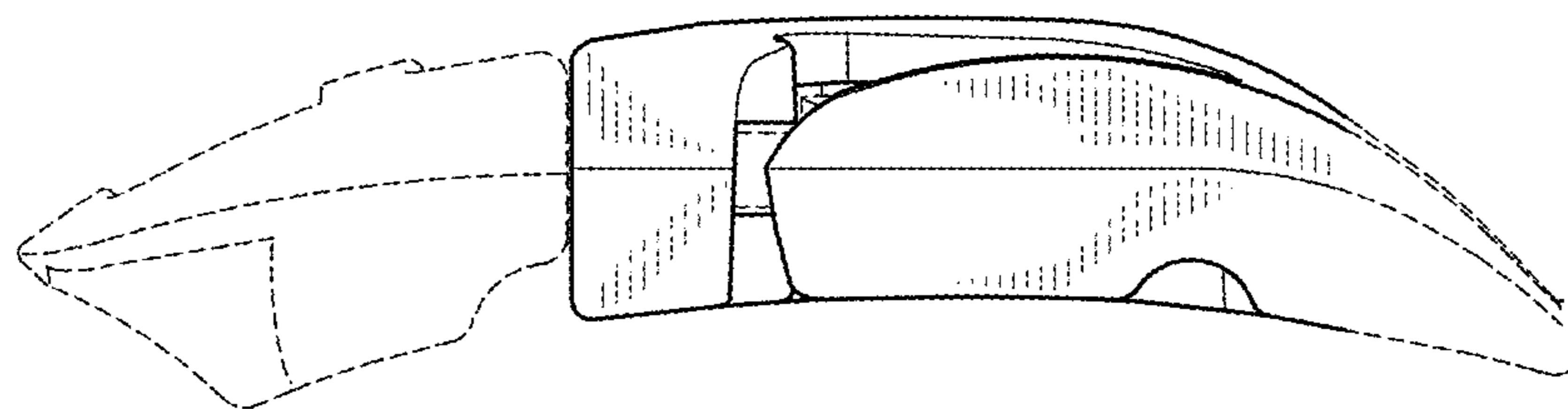


FIG. 5

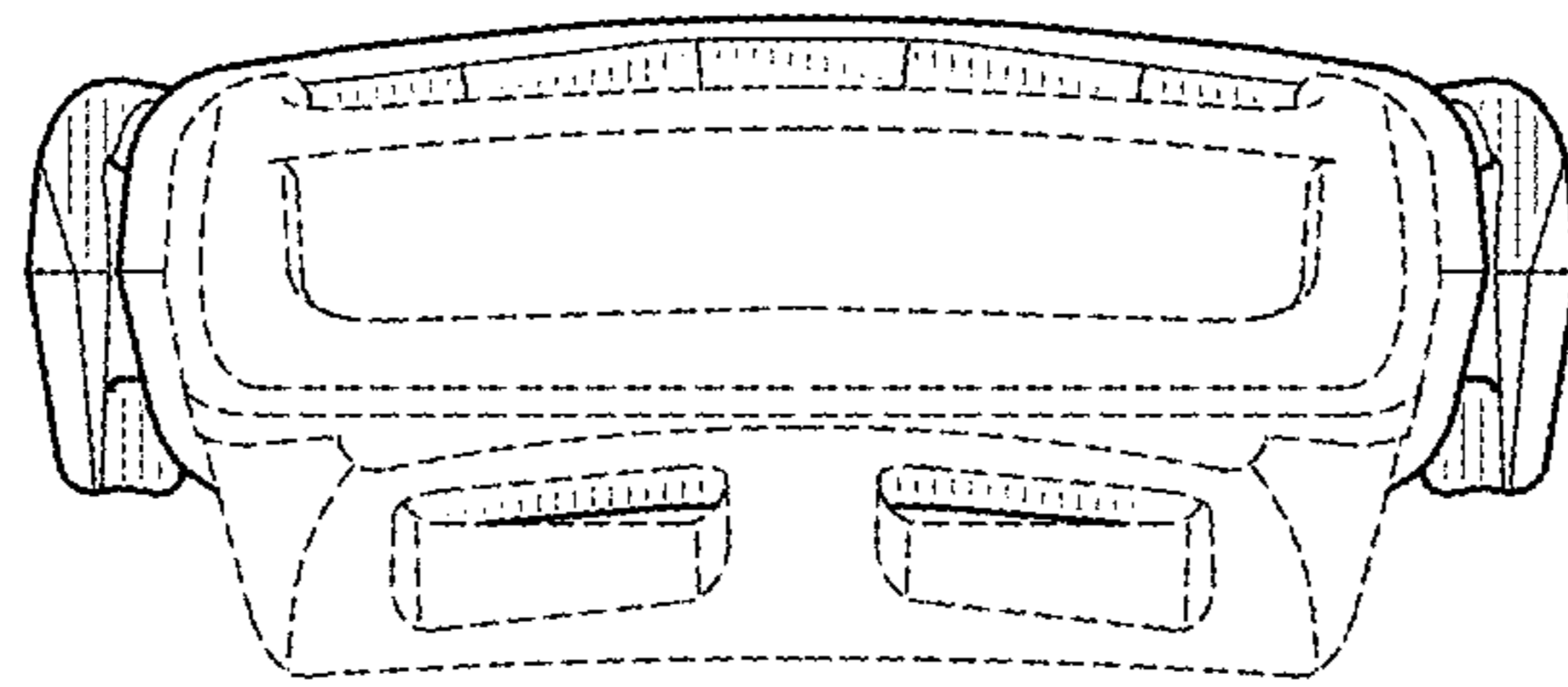


FIG. 6

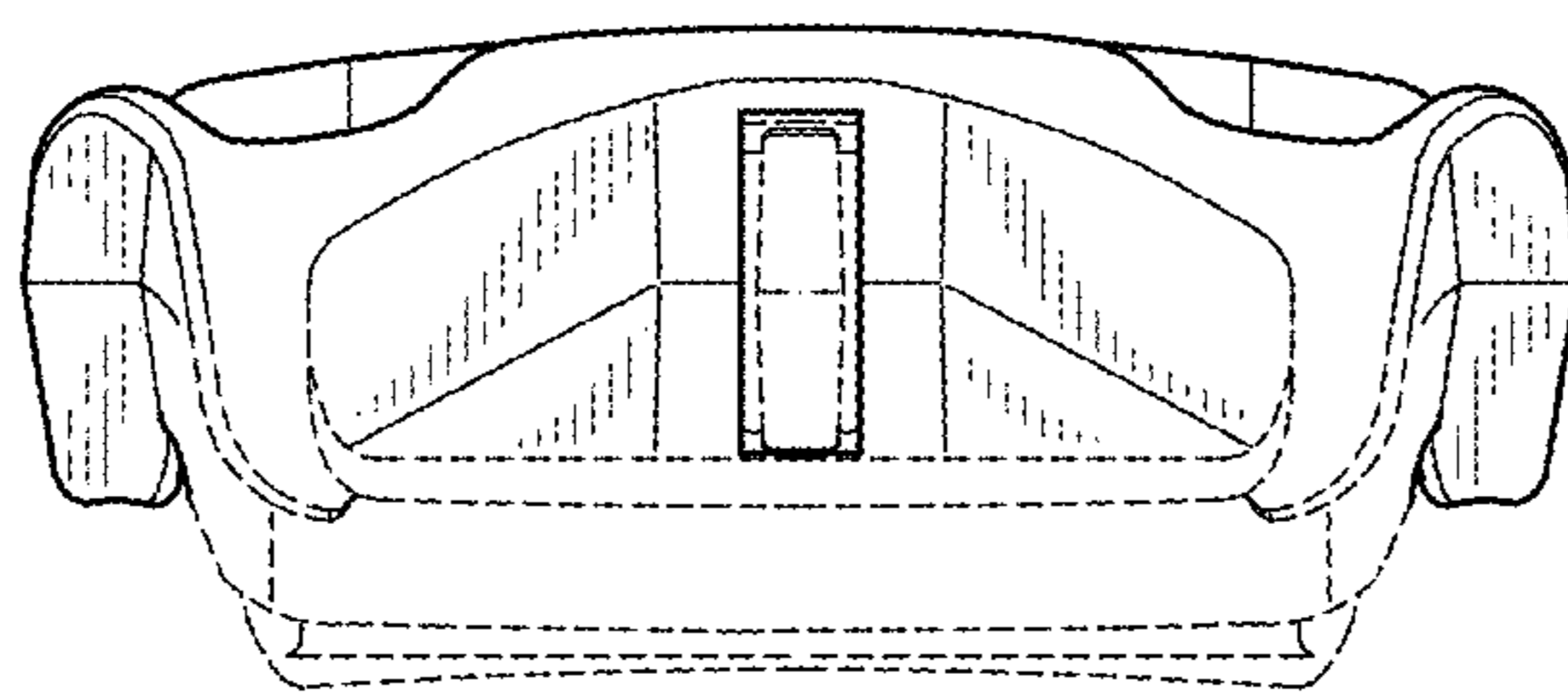


FIG. 7