



US00D680900S

(12) **United States Design Patent**  
**Grimm**

(10) **Patent No.:** **US D680,900 S**

(45) **Date of Patent:** **\*\* Apr. 30, 2013**

(54) **BUCKLE**

(75) Inventor: **Michael B. Grimm**, Evanston, IL (US)

(73) Assignee: **Illinois Tool Works Inc.**, Glenview, IL (US)

(\*\*) Term: **14 Years**

(21) Appl. No.: **29/422,993**

(22) Filed: **May 25, 2012**

(51) **LOC (9) Cl.** ..... **02-07**

(52) **U.S. Cl.**  
USPC ..... **D11/216**

(58) **Field of Classification Search** ..... D11/1-2,  
D11/200-201, 206-210, 214-218; 24/163 R,  
24/169-171, 173, 177-179, 191, 194-195,  
24/197, 200, 614-616, 625

See application file for complete search history.

(56) **References Cited**

**U.S. PATENT DOCUMENTS**

D303,233 S *	9/1989	Jang	.....	D11/216
D340,886 S *	11/1993	Anscher	.....	D11/218
D380,005 S *	6/1997	Anscher	.....	D11/216
D422,105 S *	3/2000	Poon	.....	D26/50

**OTHER PUBLICATIONS**

Photos of a variety of Techno Grab components.

\* cited by examiner

*Primary Examiner* — Ralf Seifert

(74) *Attorney, Agent, or Firm* — Paul F. Donovan; Mark W. Croll

(57) **CLAIM**

The ornamental design for a buckle, as shown and described.

**DESCRIPTION**

FIG. 1 is a perspective view of the buckle showing the new design;

FIG. 2 is a top view thereof;

FIG. 3 is a bottom view thereof;

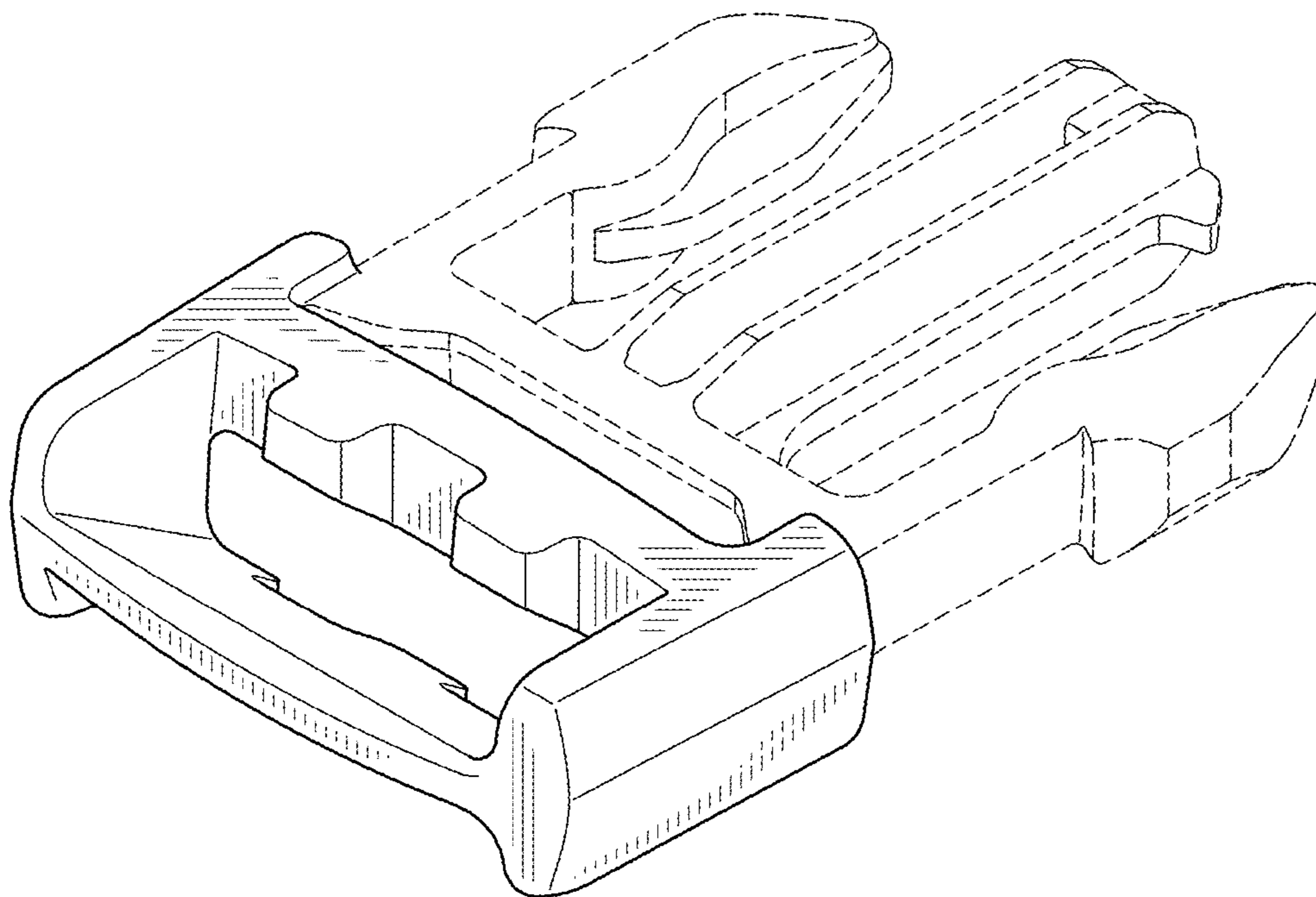
FIG. 4 is a left side view thereof;

FIG. 5 is a right side view thereof;

FIG. 6 is a back end view thereof; and,

FIG. 7 is a leading end view thereof.

**1 Claim, 4 Drawing Sheets**



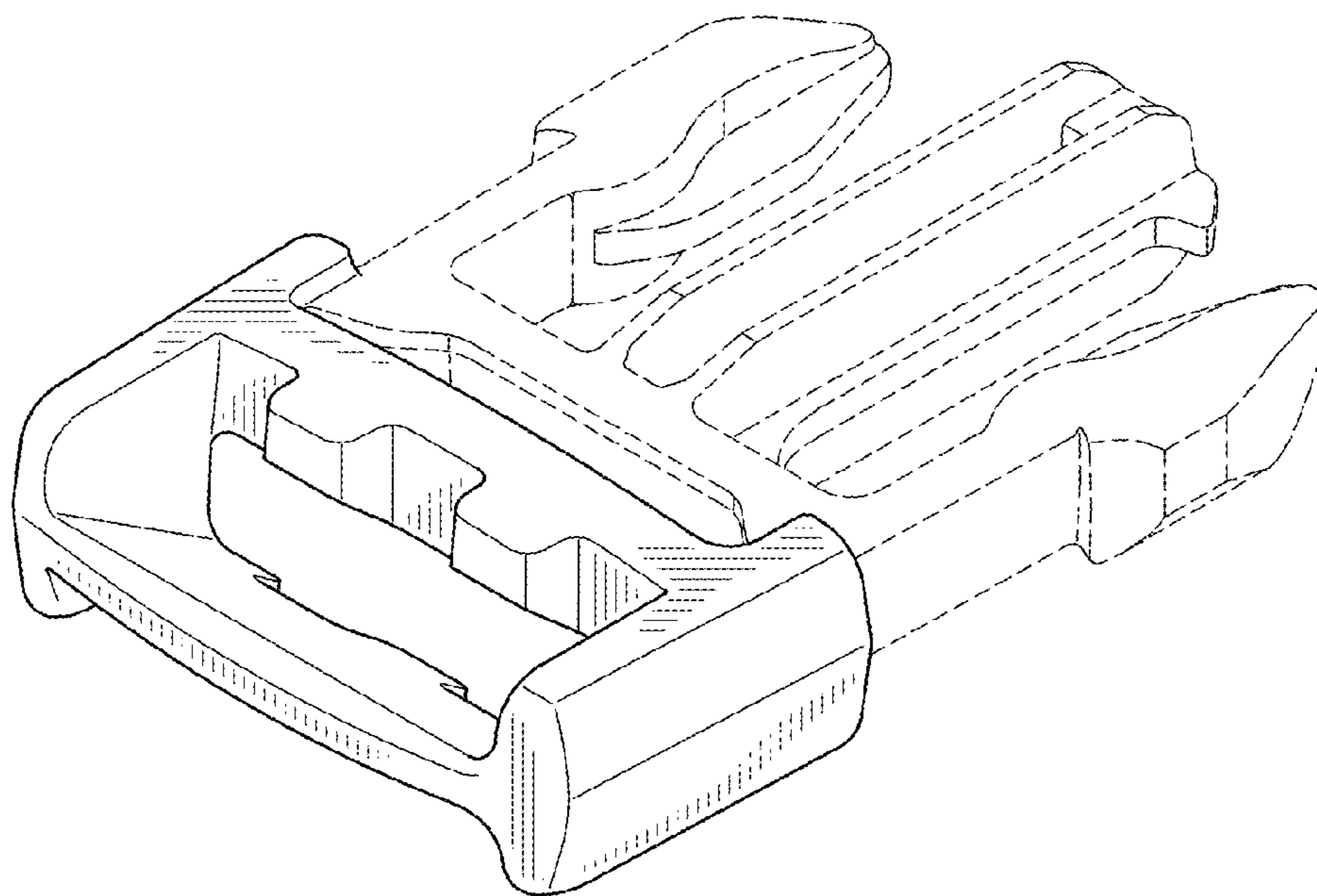


FIG. 1

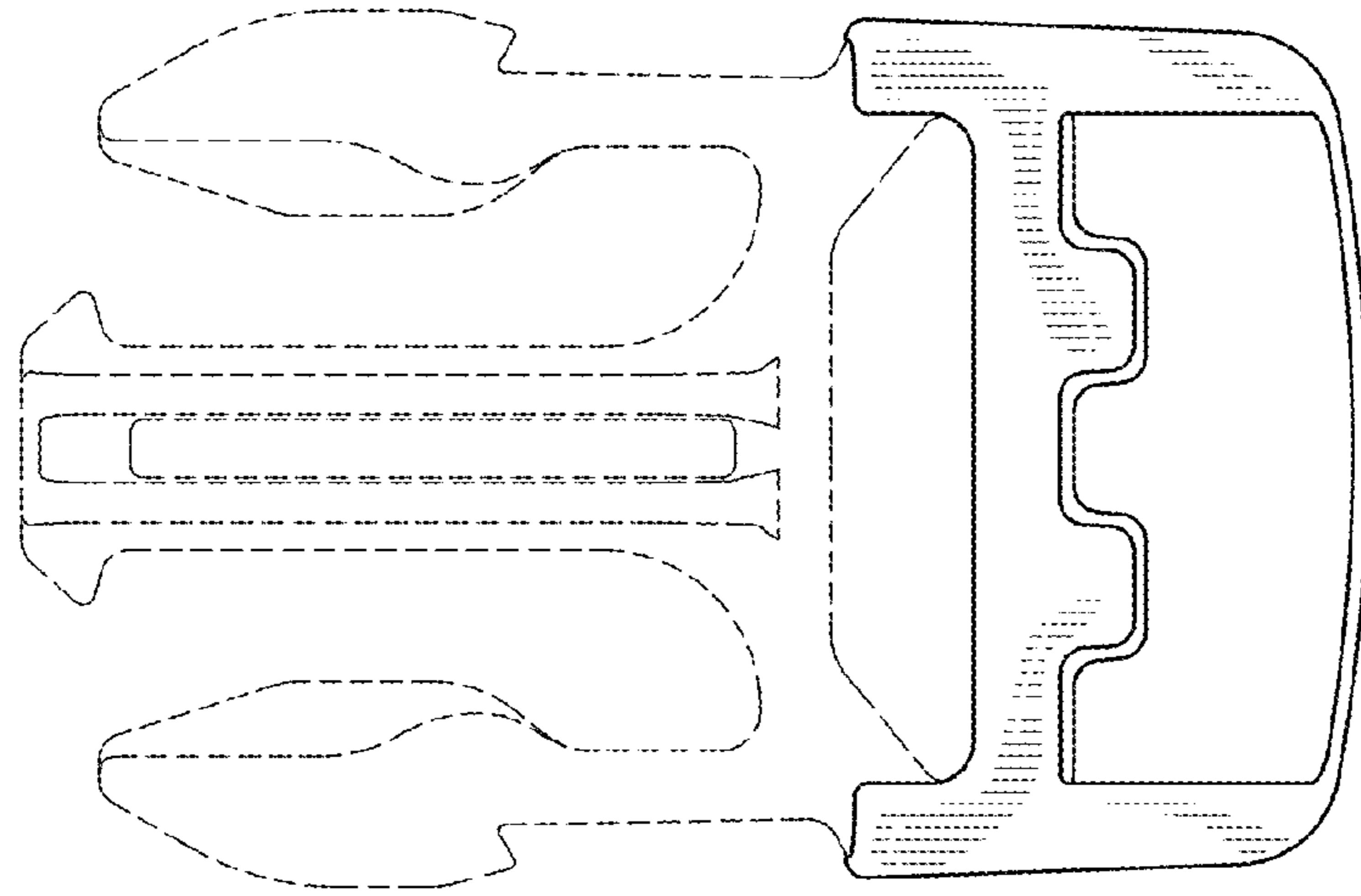


FIG. 2

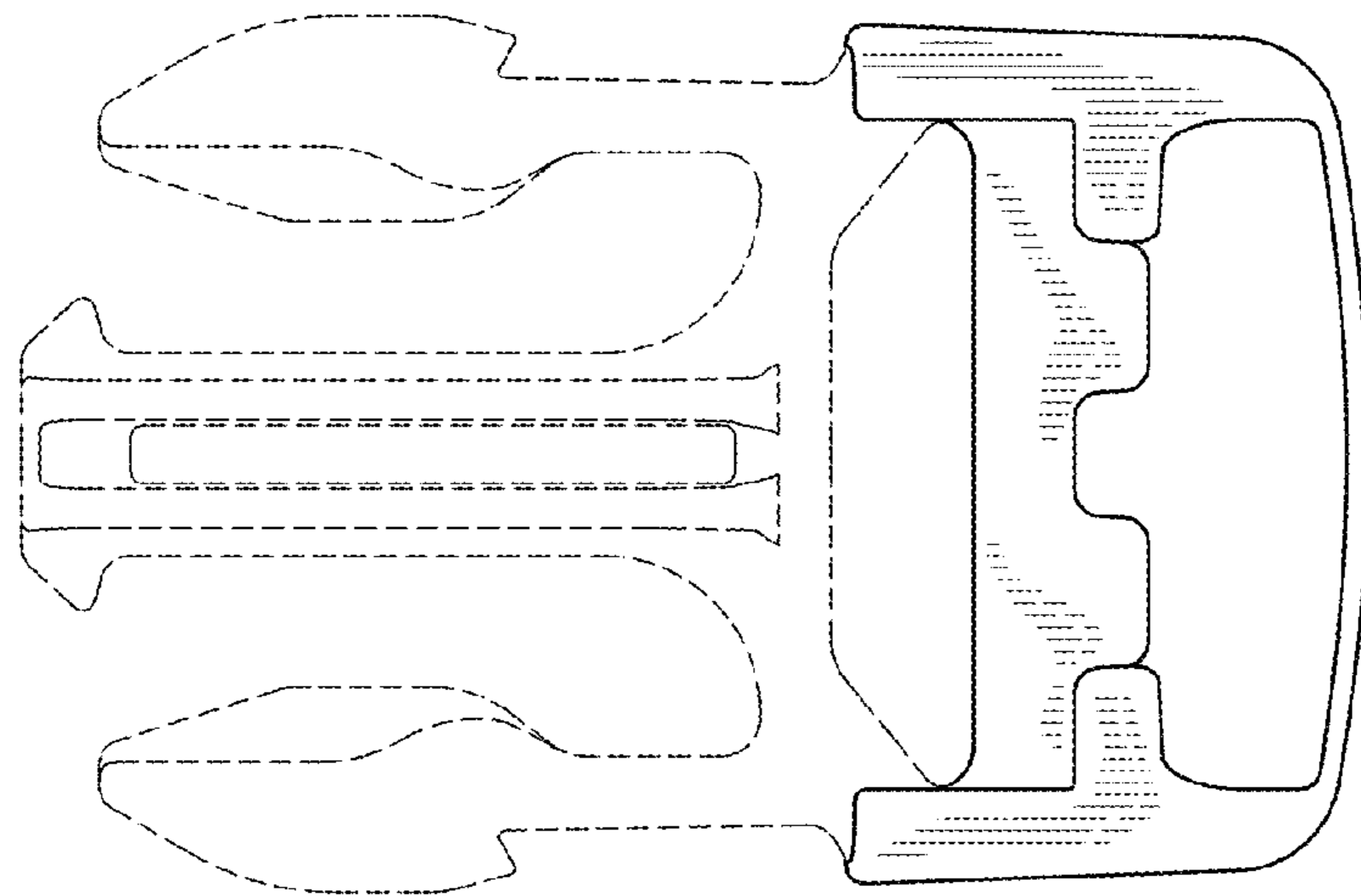


FIG. 3

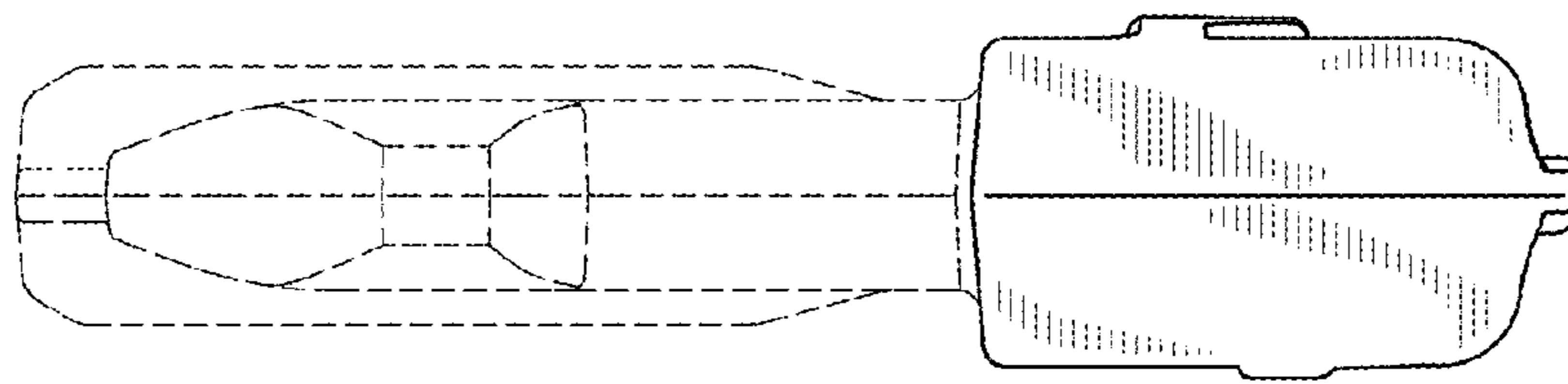


FIG. 4

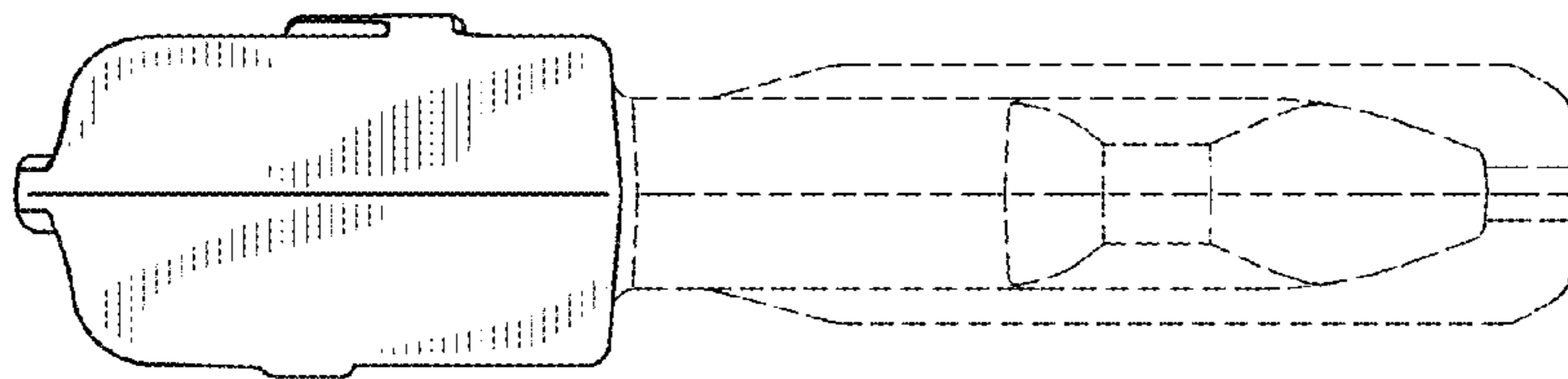


FIG. 5

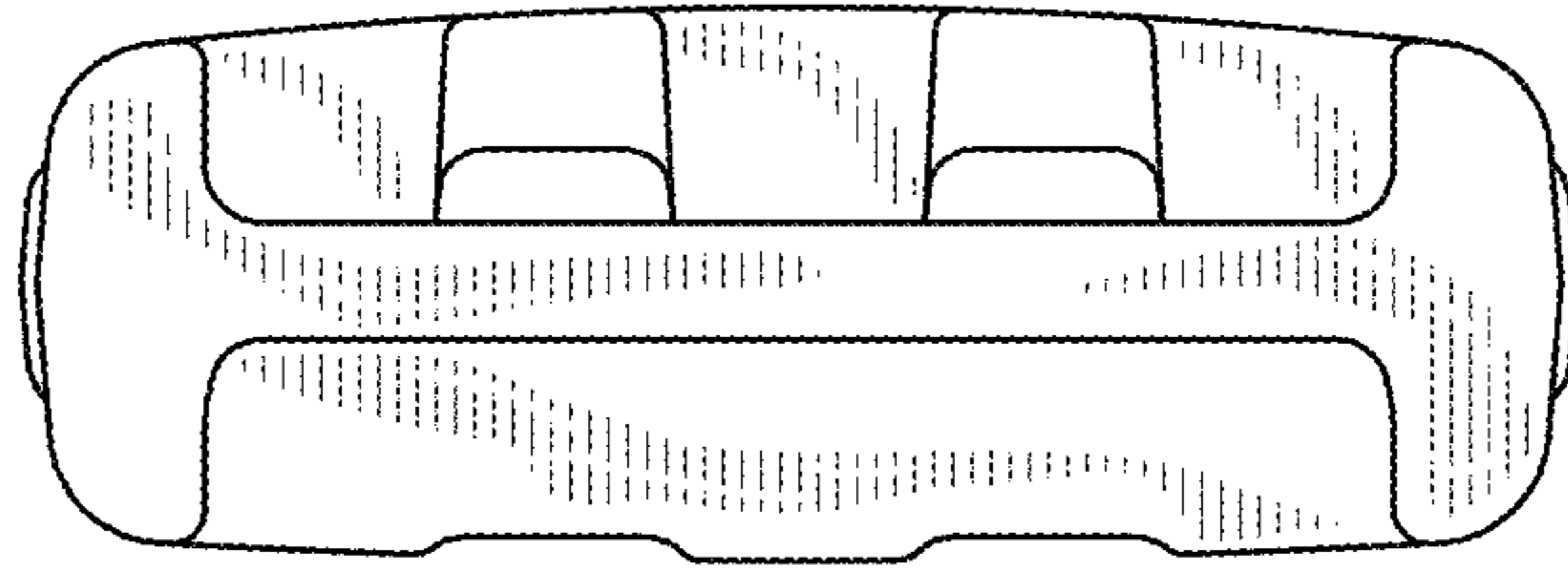


FIG. 6

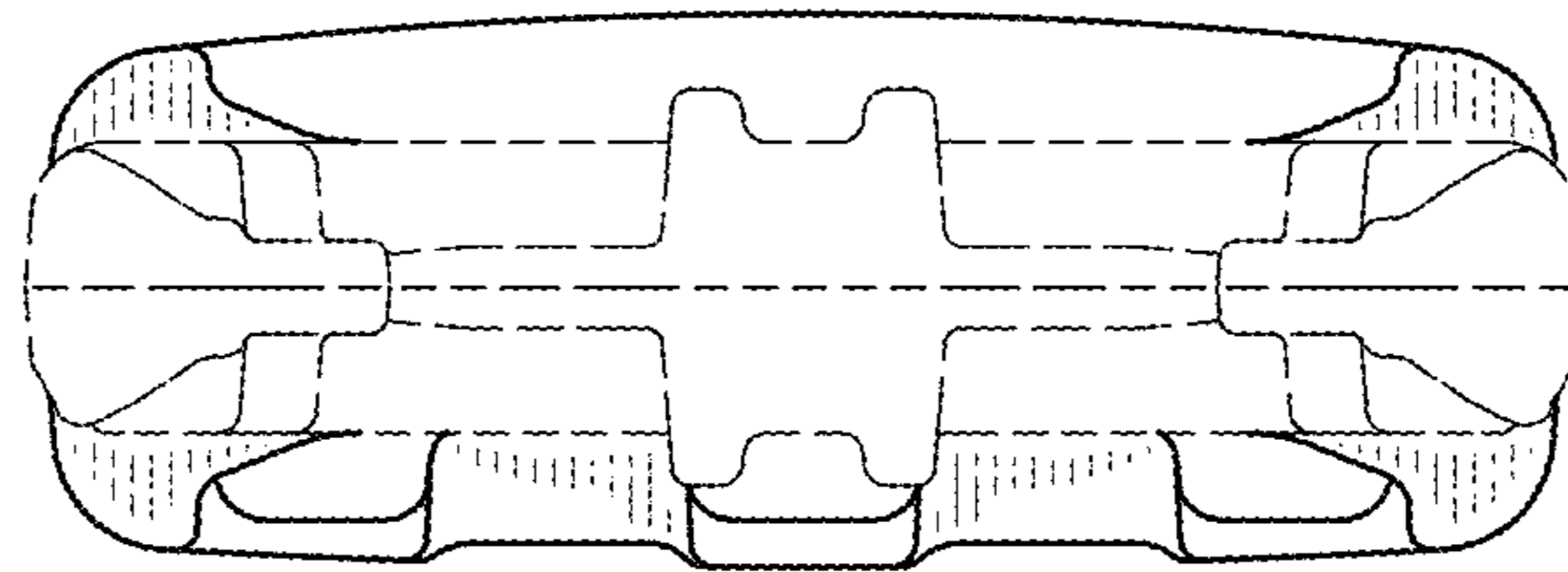


FIG. 7