

US00D680894S

(12) **United States Design Patent**
Yu

(10) **Patent No.:** **US D680,894 S**
(45) **Date of Patent:** **** Apr. 30, 2013**

(54) **LED LIGHT**

(75) **Inventor:** **Feng Yu, Ningbo (CN)**

(73) **Assignee:** **Ningbo Yinzhou Self Photoelectron Technology Co., Ltd., Ningbo, Zhejiang Province (CN)**

(**) **Term:** **14 Years**

(21) **Appl. No.:** **29/423,491**

(22) **Filed:** **Jun. 1, 2012**

(30) **Foreign Application Priority Data**

Mar. 5, 2012 (CN) 2012 3 0046907

(51) **LOC (9) Cl.** **10-05**

(52) **U.S. Cl.**
USPC **D10/114.4**

(58) **Field of Classification Search** ... D10/114.1-114.5;
D26/72, 85; 362/263; 315/224
See application file for complete search history.

(56) **References Cited**

U.S. PATENT DOCUMENTS

D320,363 S * 10/1991 Lyons D10/114.3
D442,106 S * 5/2001 Stein et al. D10/114.4

D615,223 S * 5/2010 Huang D26/28
D617,229 S * 6/2010 Shin D10/114.4
D629,139 S * 12/2010 Cai et al. D26/72
D652,335 S * 1/2012 Deyaf D10/114.4

* cited by examiner

Primary Examiner — George D Kirschbaum

(74) *Attorney, Agent, or Firm* — Duane Morris LLP

(57) **CLAIM**

The ornamental design for a LED light, as shown and described.

DESCRIPTION

FIG. 1 is a front view of LED light, showing according to the new design;

FIG. 2 is a rear view thereof;

FIG. 3 is a top view thereof;

FIG. 4 is a bottom view thereof;

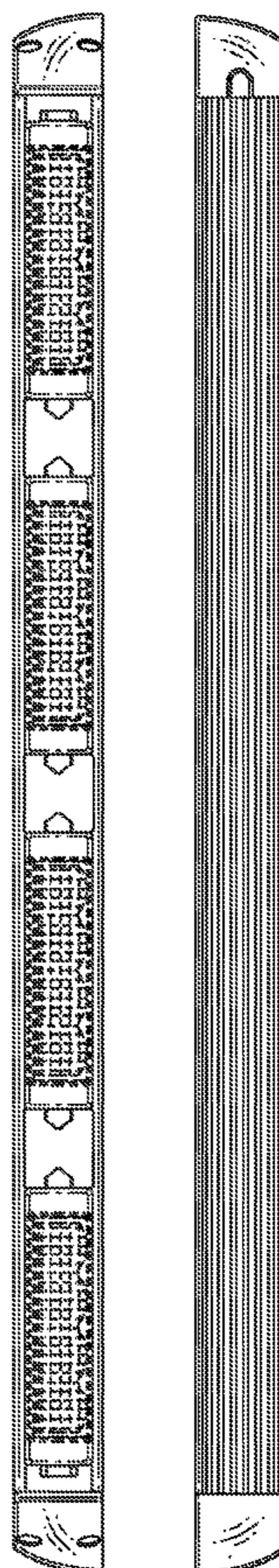
FIG. 5 is a left view thereof;

FIG. 6 is a right view thereof; and,

FIG. 7 is a perspective view thereof.

The broken line showing of lens elements is included for the purpose of illustrating portions of the “article” and forms no part of the claimed design.

1 Claim, 7 Drawing Sheets



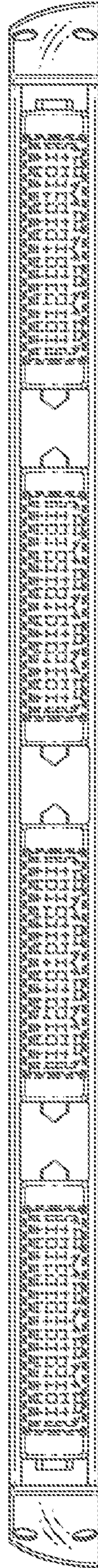


FIG. 1

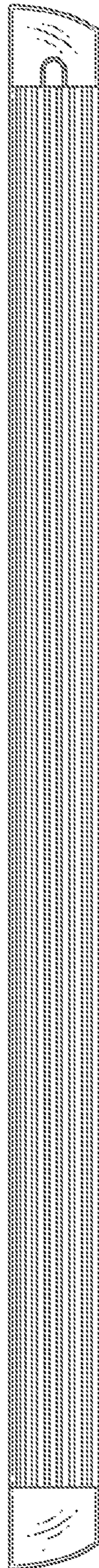


FIG. 2

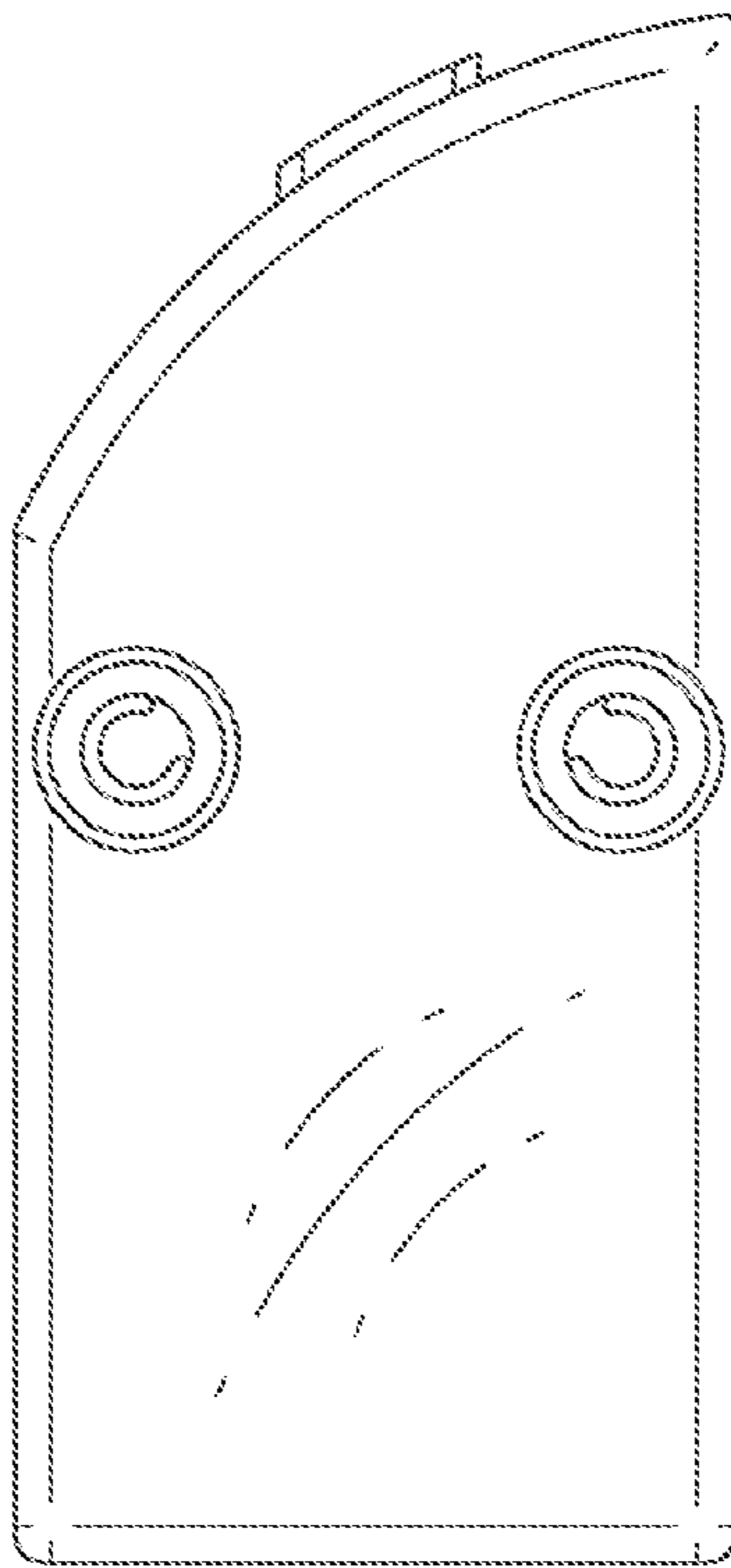


FIG. 3

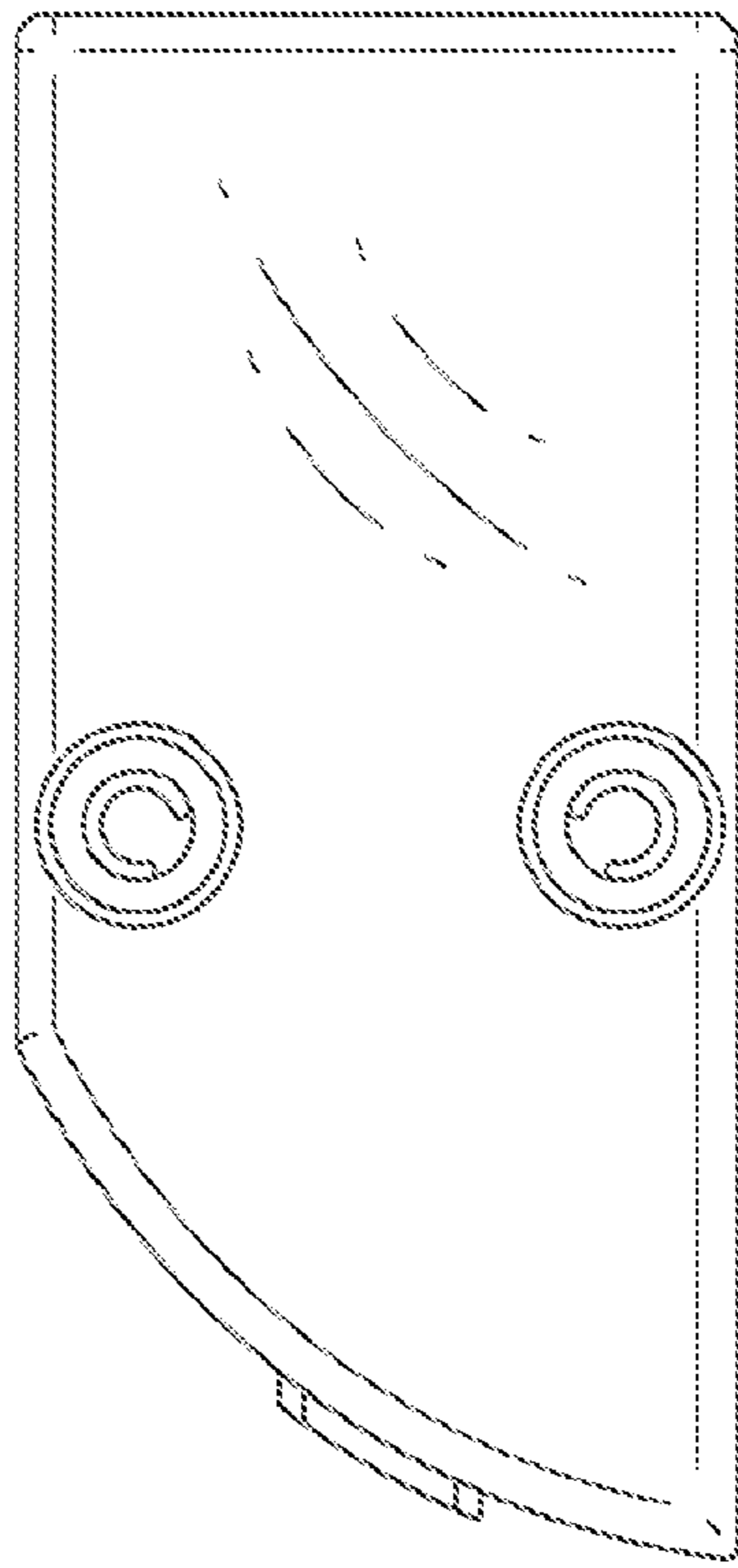


FIG. 4

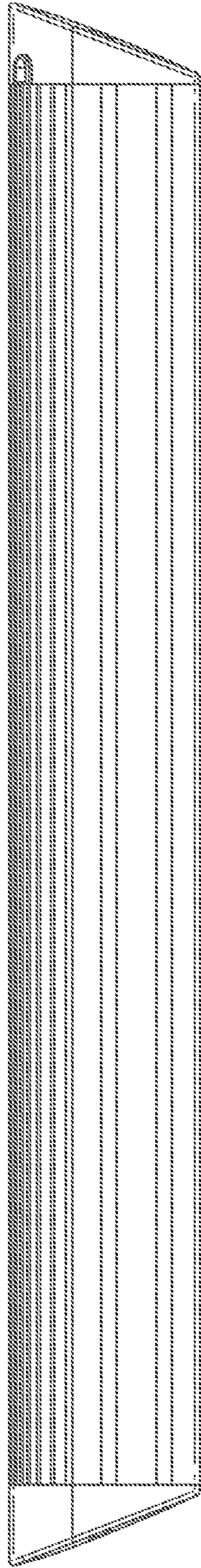


FIG. 5

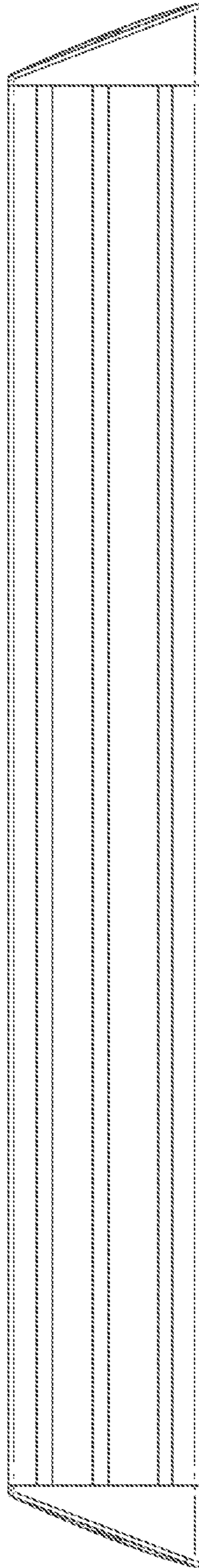


FIG. 6

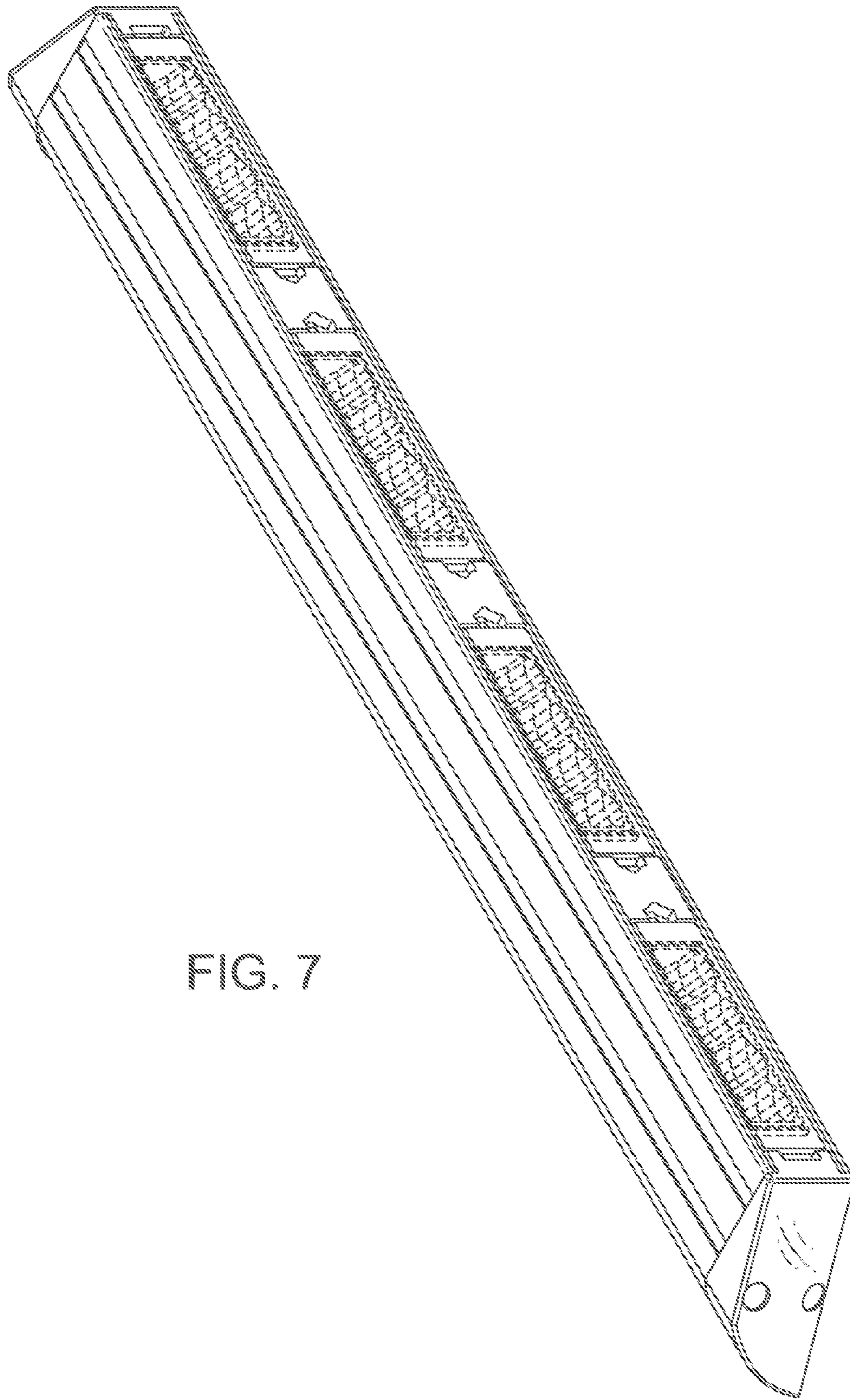


FIG. 7