



US00D680893S

(12) **United States Design Patent**
Adams

(10) **Patent No.:** **US D680,893 S**
(45) **Date of Patent:** **** Apr. 30, 2013**

(54) **LANDING LIGHT**

(75) Inventor: **Stephen P. Adams**, Mesa, AZ (US)

(73) Assignee: **JST Performance, Inc.**, Mesa, AZ (US)

(**) Term: **14 Years**

(21) Appl. No.: **29/427,237**

(22) Filed: **Jul. 16, 2012**

(51) **LOC (9) Cl.** **10-05**

(52) **U.S. Cl.**
USPC **D10/114.1**

(58) **Field of Classification Search** ... D10/114.1-114.5;
D26/72, 85; 362/263; 315/224
See application file for complete search history.

(56) **References Cited**

U.S. PATENT DOCUMENTS

D371,857 S * 7/1996 Gismondi D26/85

5,685,637 A * 11/1997 Chapman et al. 362/263
2011/0043120 A1 * 2/2011 Panagotacos et al. 315/224

* cited by examiner

Primary Examiner — George D Kirschbaum

(74) *Attorney, Agent, or Firm* — Venable Campillo Logan & Meaney P.C.

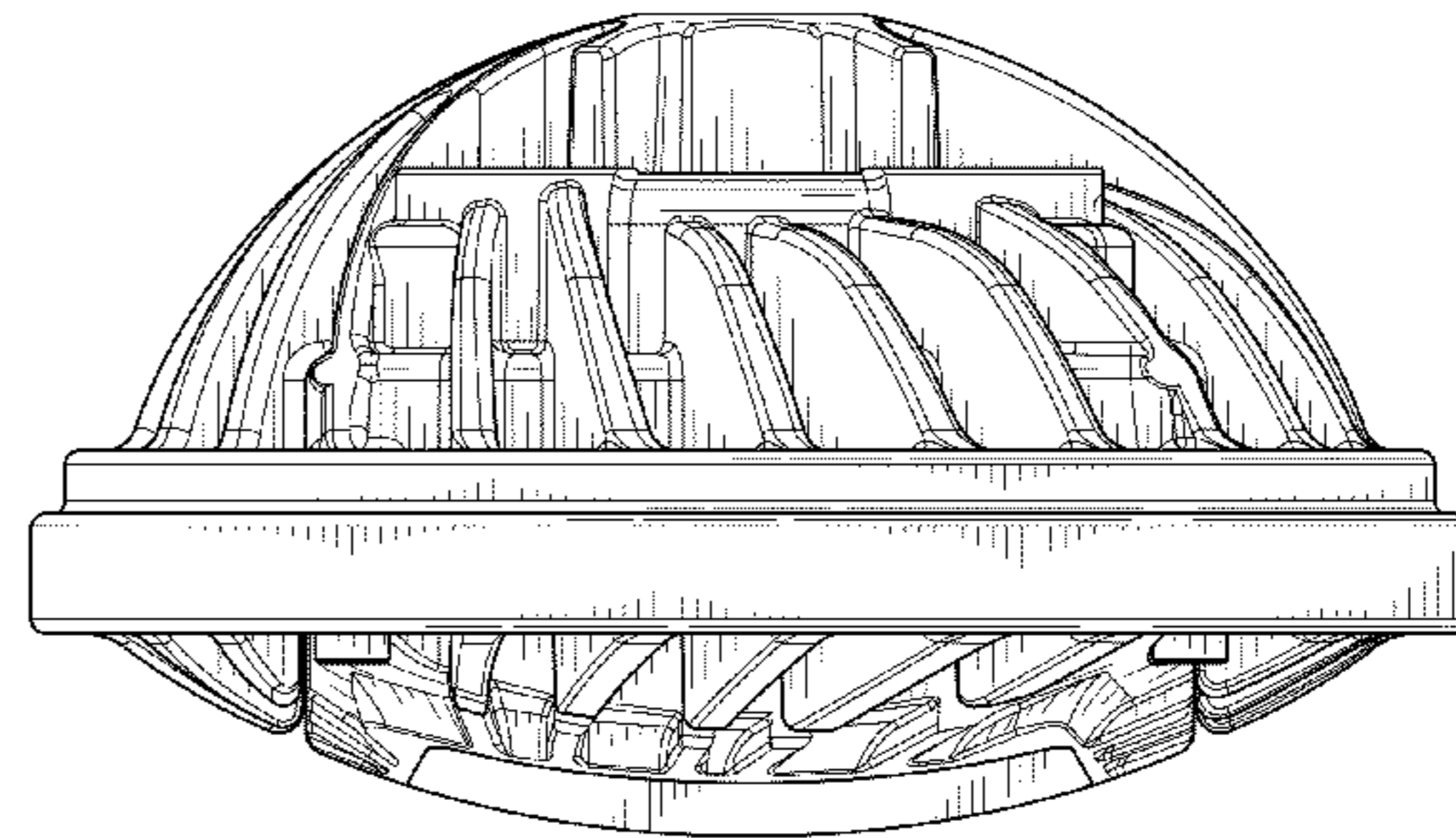
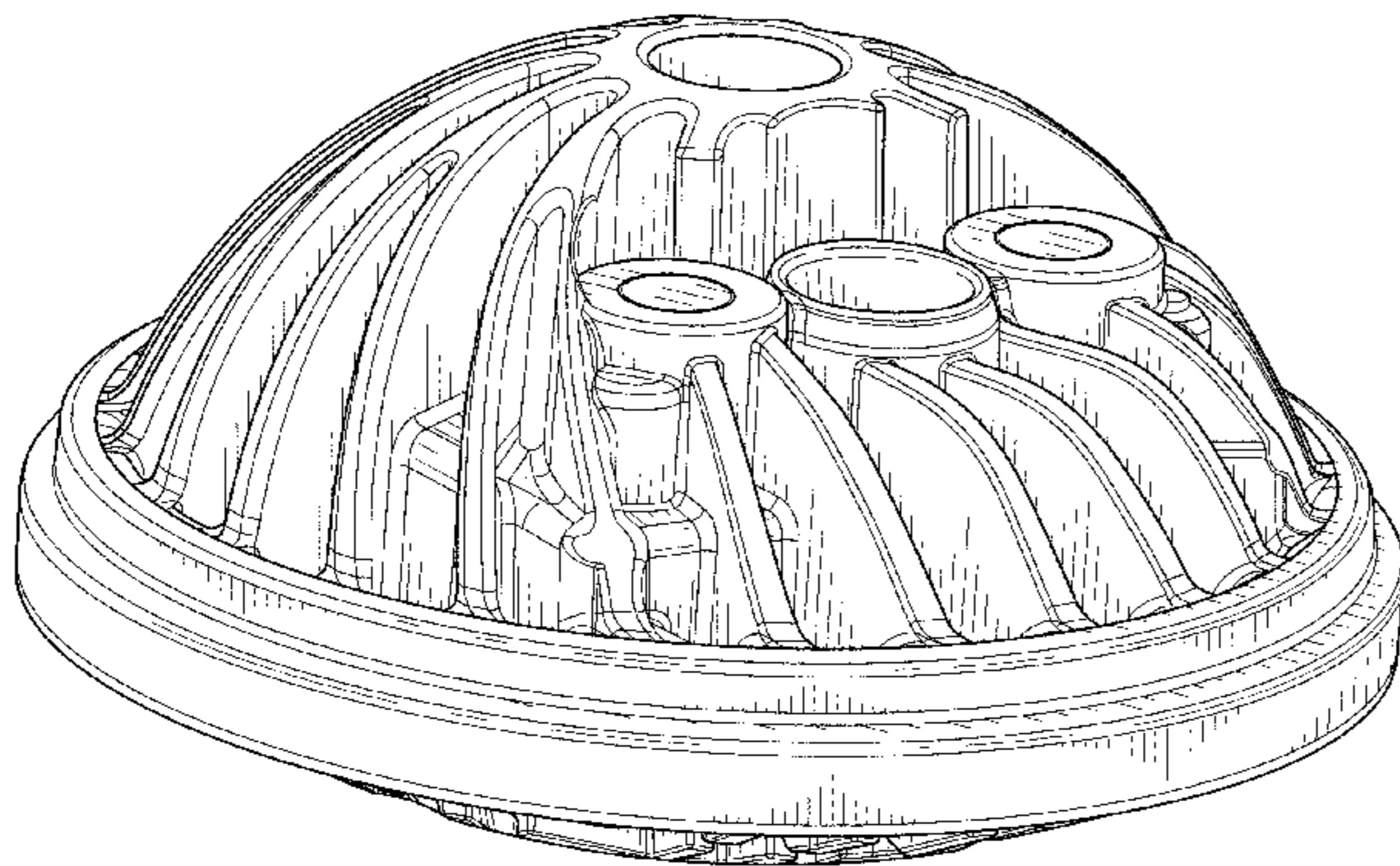
(57) **CLAIM**

The ornamental design for a landing light, as shown and described.

DESCRIPTION

FIG. 1 is a rear perspective view of a landing light embodying the new design;
FIG. 2 is a bottom elevational view;
FIG. 3 is a plan view;
FIG. 4 is a left side elevational view;
FIG. 5 is a right side elevational view;
FIG. 6 is a rear elevational view; and,
FIG. 7 is a front elevational view.

1 Claim, 5 Drawing Sheets



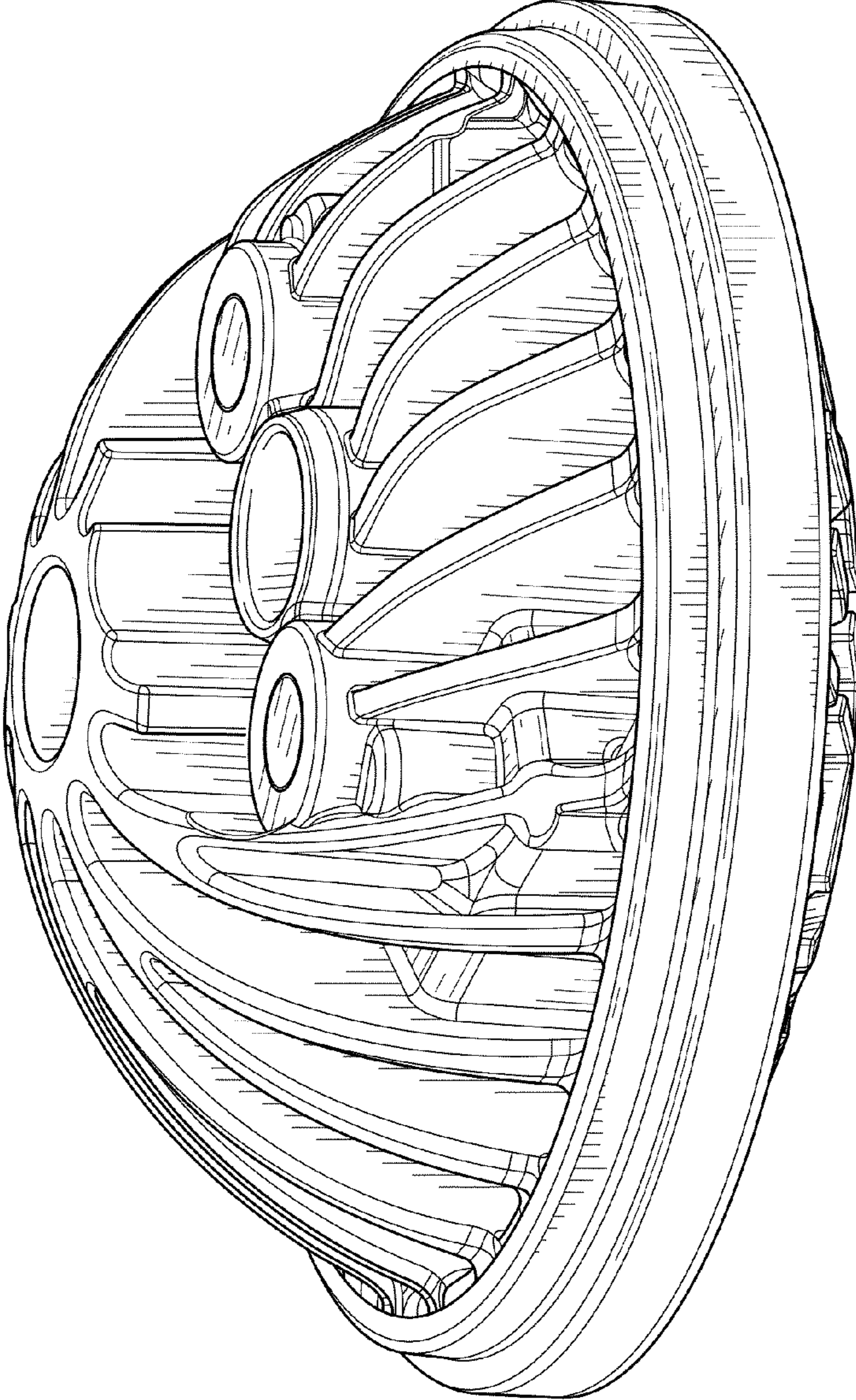


FIG. 1

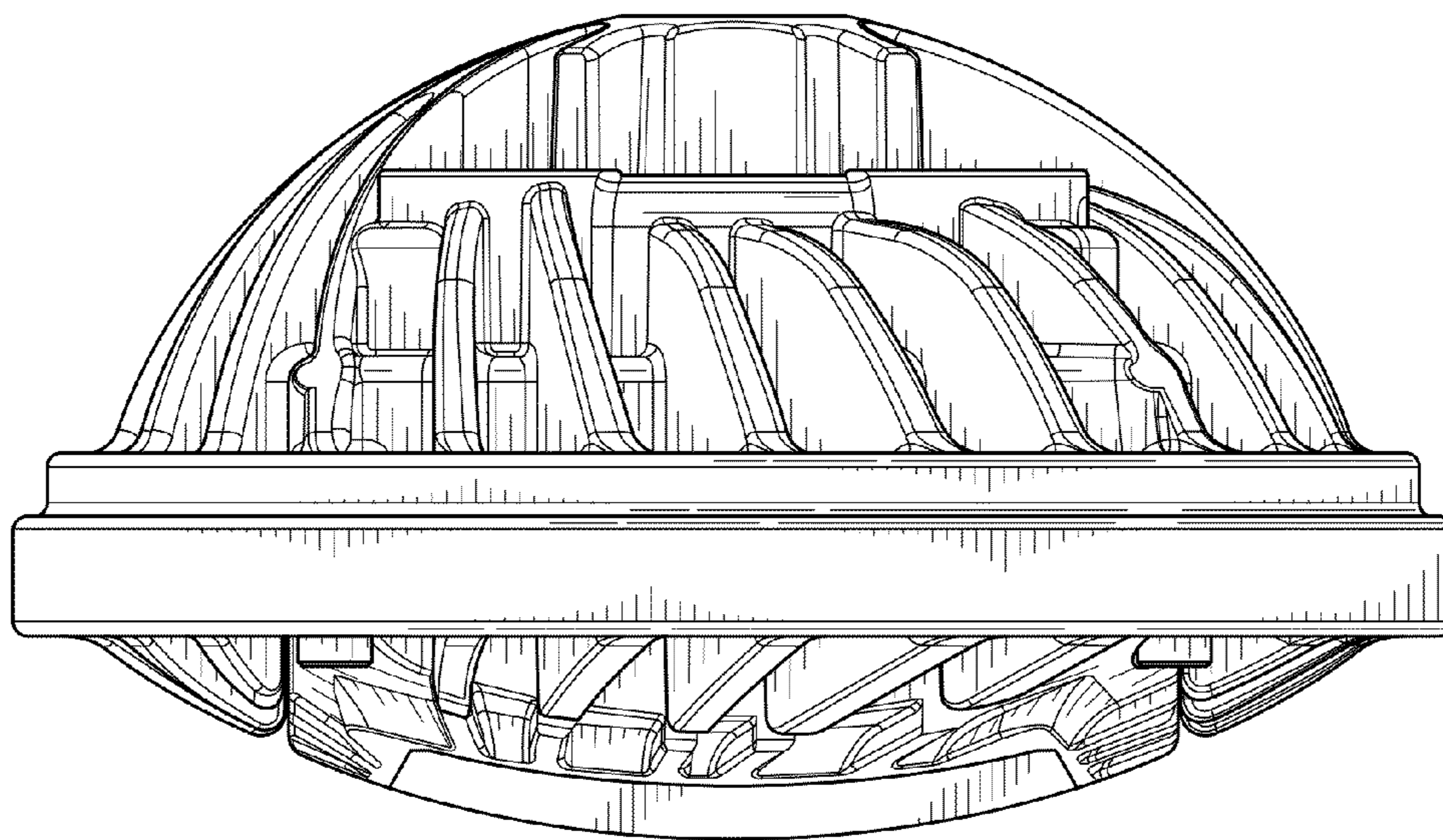


FIG. 2

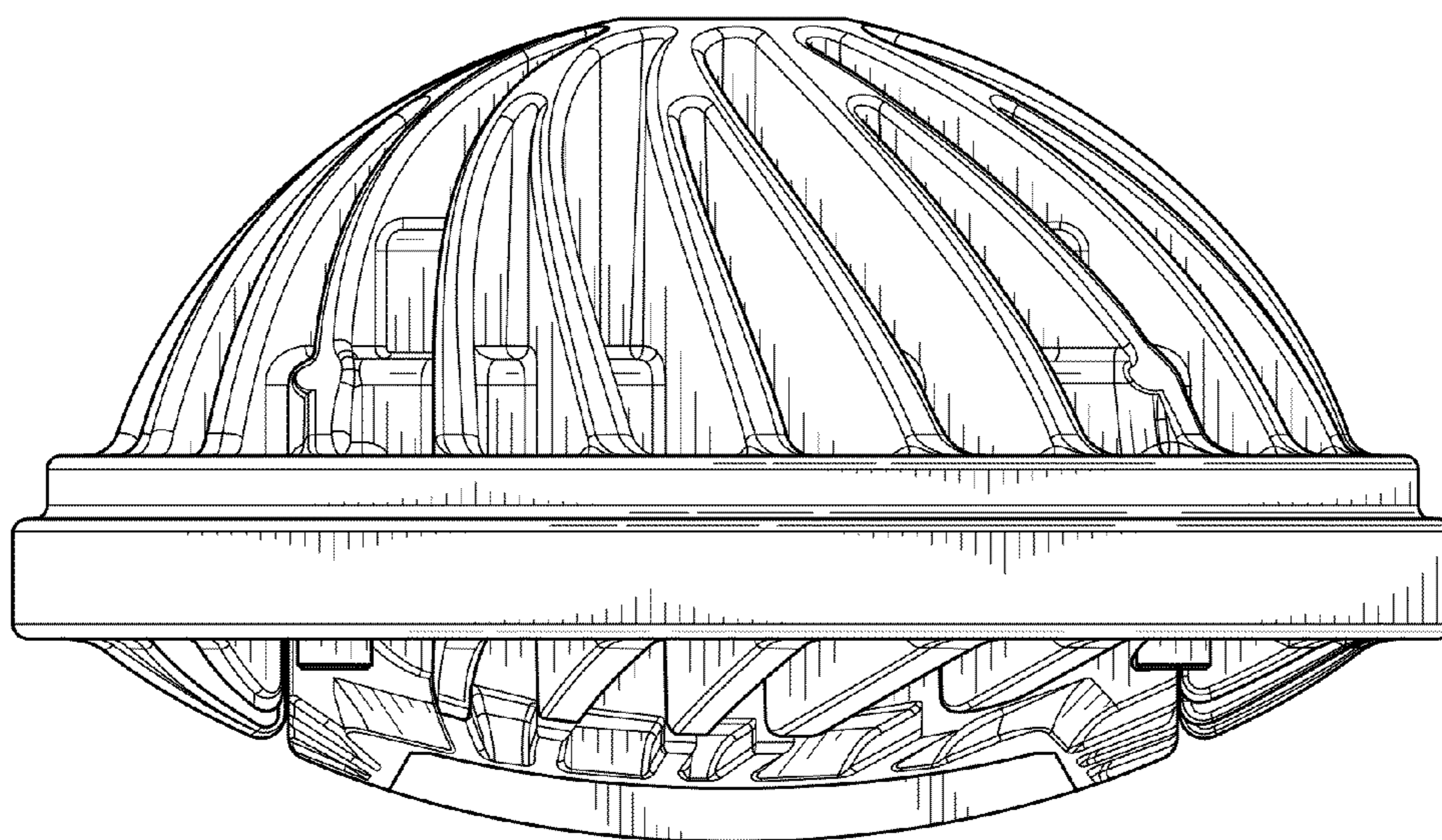


FIG. 3

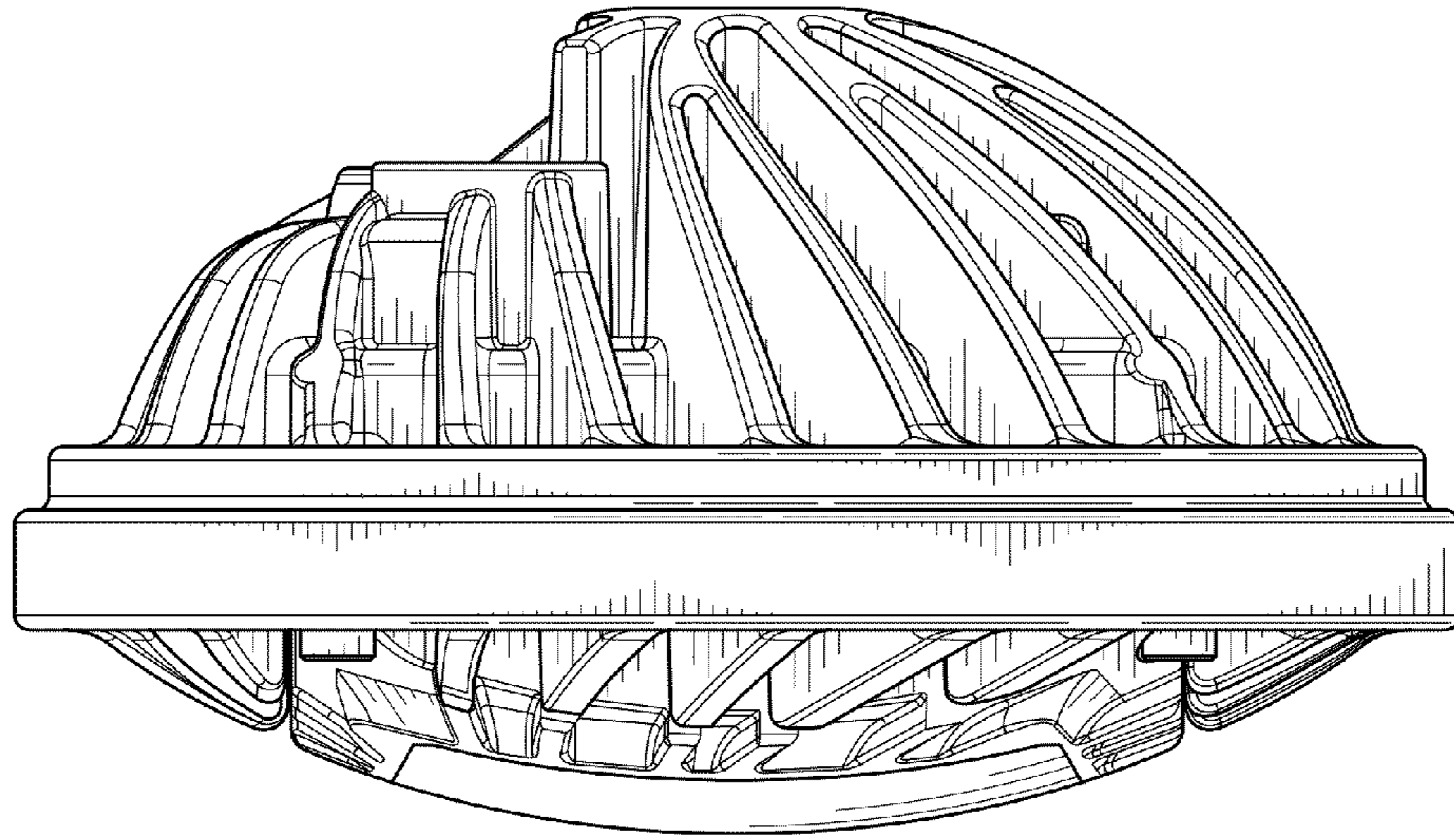


FIG. 4

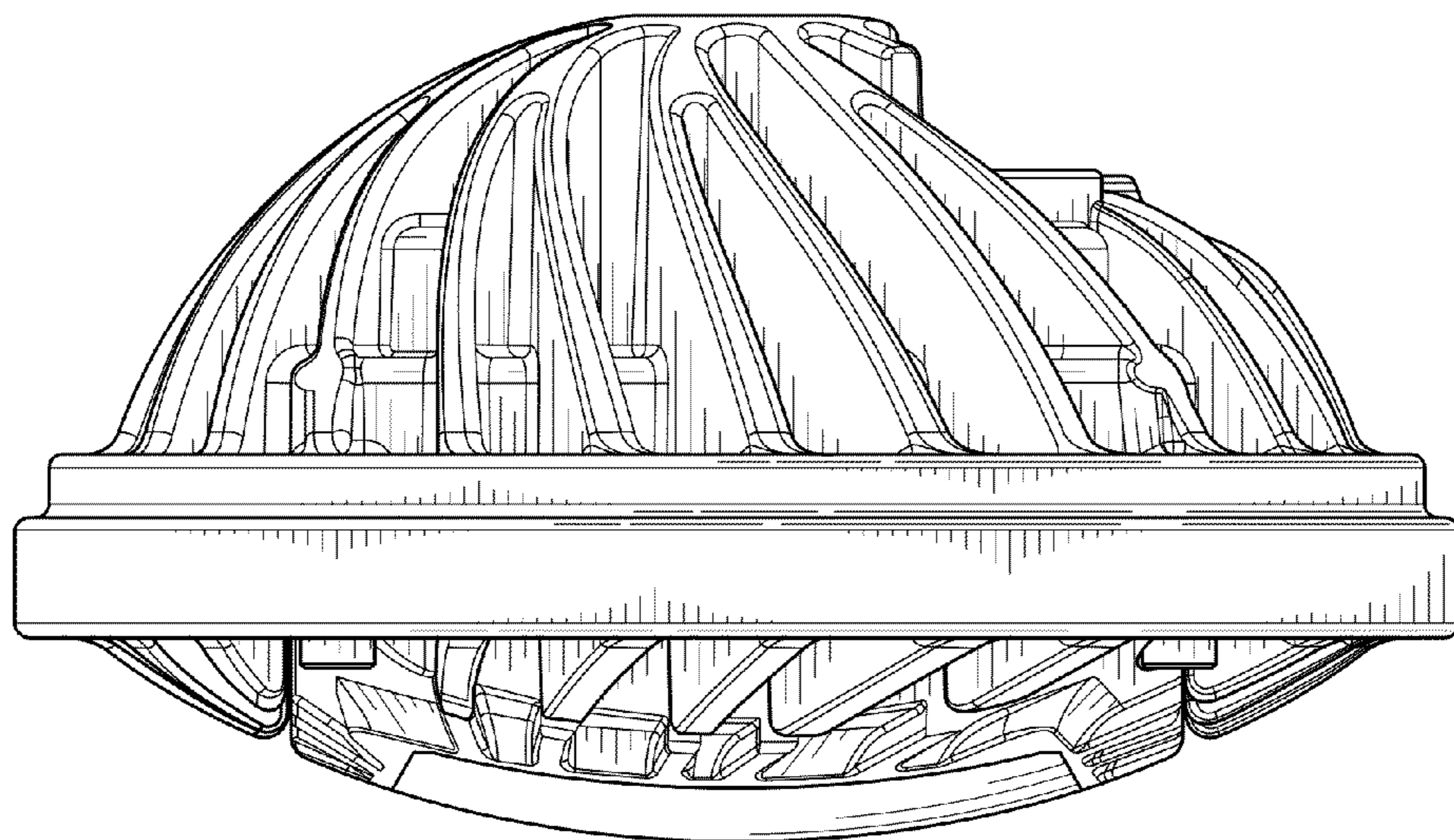


FIG. 5

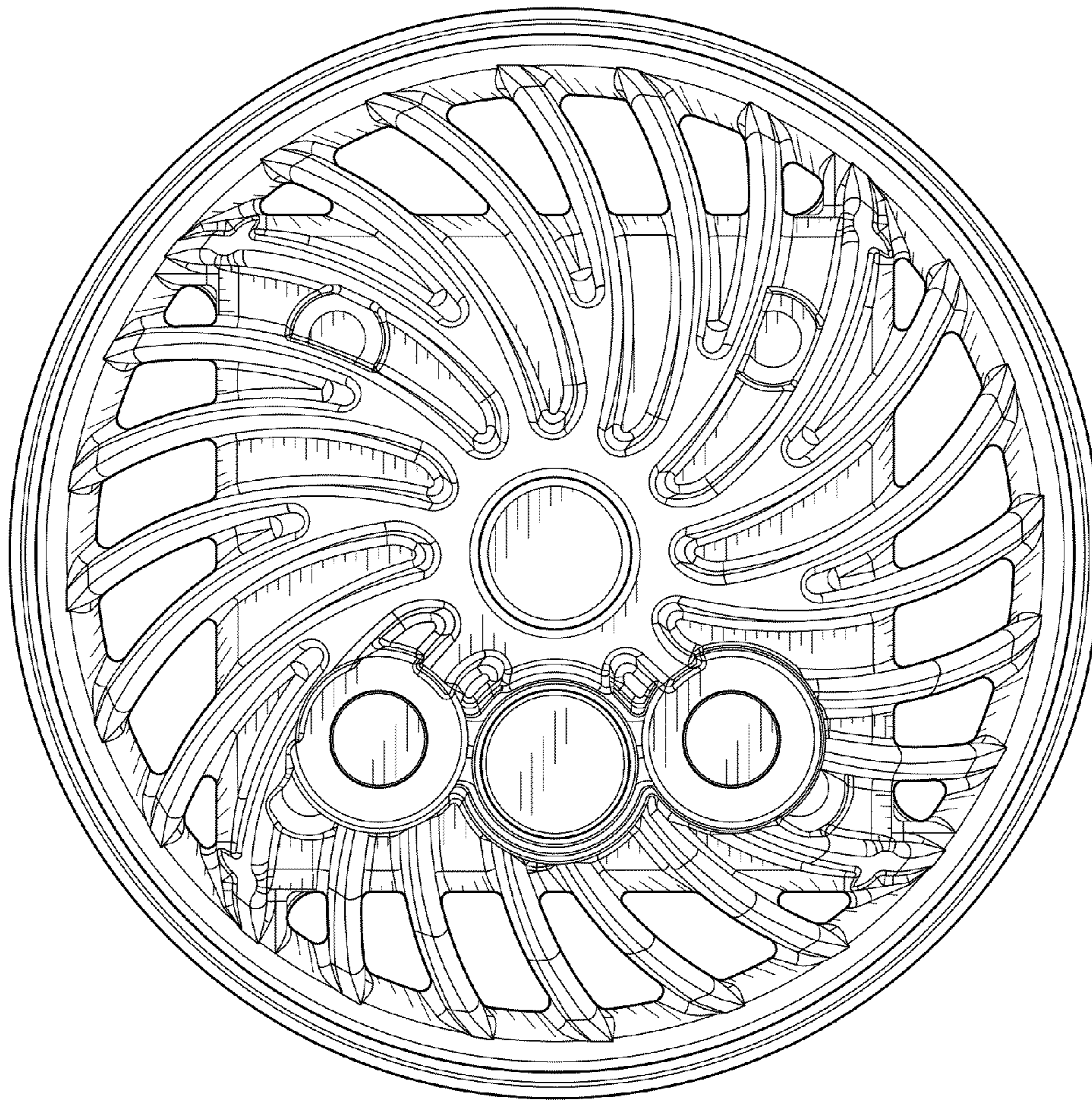


FIG. 6

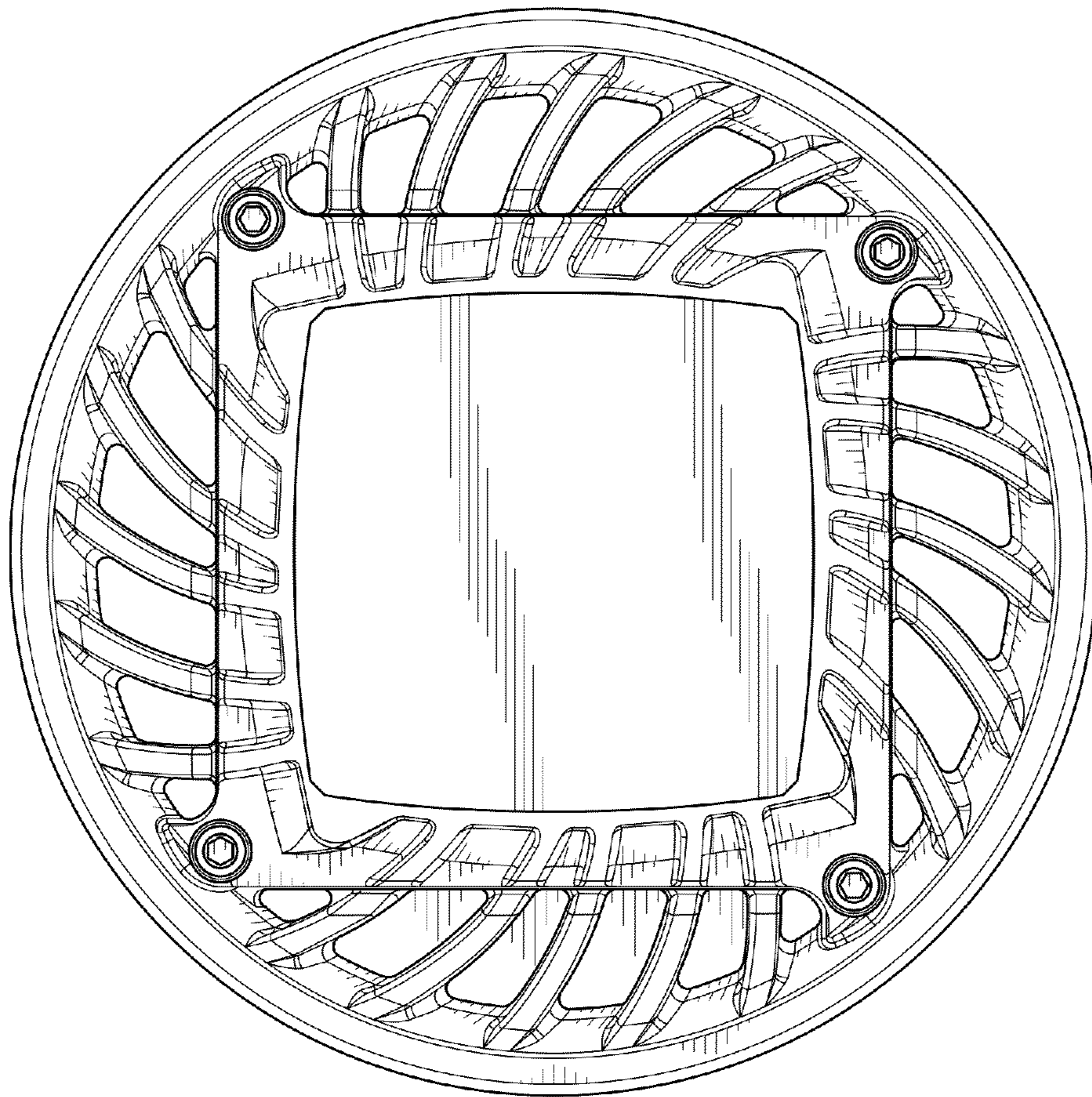


FIG. 7