



US00D680889S

(12) **United States Design Patent**  
**Lecoq et al.**

(10) **Patent No.:** **US D680,889 S**  
(45) **Date of Patent:** **\*\* Apr. 30, 2013**

(54) **OPTICAL MEASURING APPARATUS**

(75) Inventors: **Pierre Lecoq**, Chaville (FR); **Vincent Petit**, Paris (FR); **Claude Fouque**, Igny (FR)

(73) Assignee: **Cassidian Test & Services**, Elancourt (FR)

(\*\*) Term: **14 Years**

(21) Appl. No.: **29/406,181**

(22) Filed: **Nov. 10, 2011**

(30) **Foreign Application Priority Data**

May 19, 2011 (EM) ..... 001866195-0001

(51) **LOC (9) Cl.** ..... **10-04**

(52) **U.S. Cl.**  
USPC ..... **D10/75**

(58) **Field of Classification Search** ..... D10/75-76;  
118/412; 250/206.2, 493.1; 252/299.01;  
257/98; 313/367; 324/459, 760.02; 33/504;  
345/100; 349/189; 356/121, 237.5; 359/238,  
359/290, 298, 642; 385/125; 398/22; 438/106

See application file for complete search history.

(56) **References Cited**

U.S. PATENT DOCUMENTS

D355,136 S \* 2/1995 Highman et al. .... D10/51  
D409,507 S \* 5/1999 Ishii ..... D10/66

\* cited by examiner

*Primary Examiner* — Antoine D Davis

(74) *Attorney, Agent, or Firm* — Pillsbury Winthrop Shaw Pitman LLP

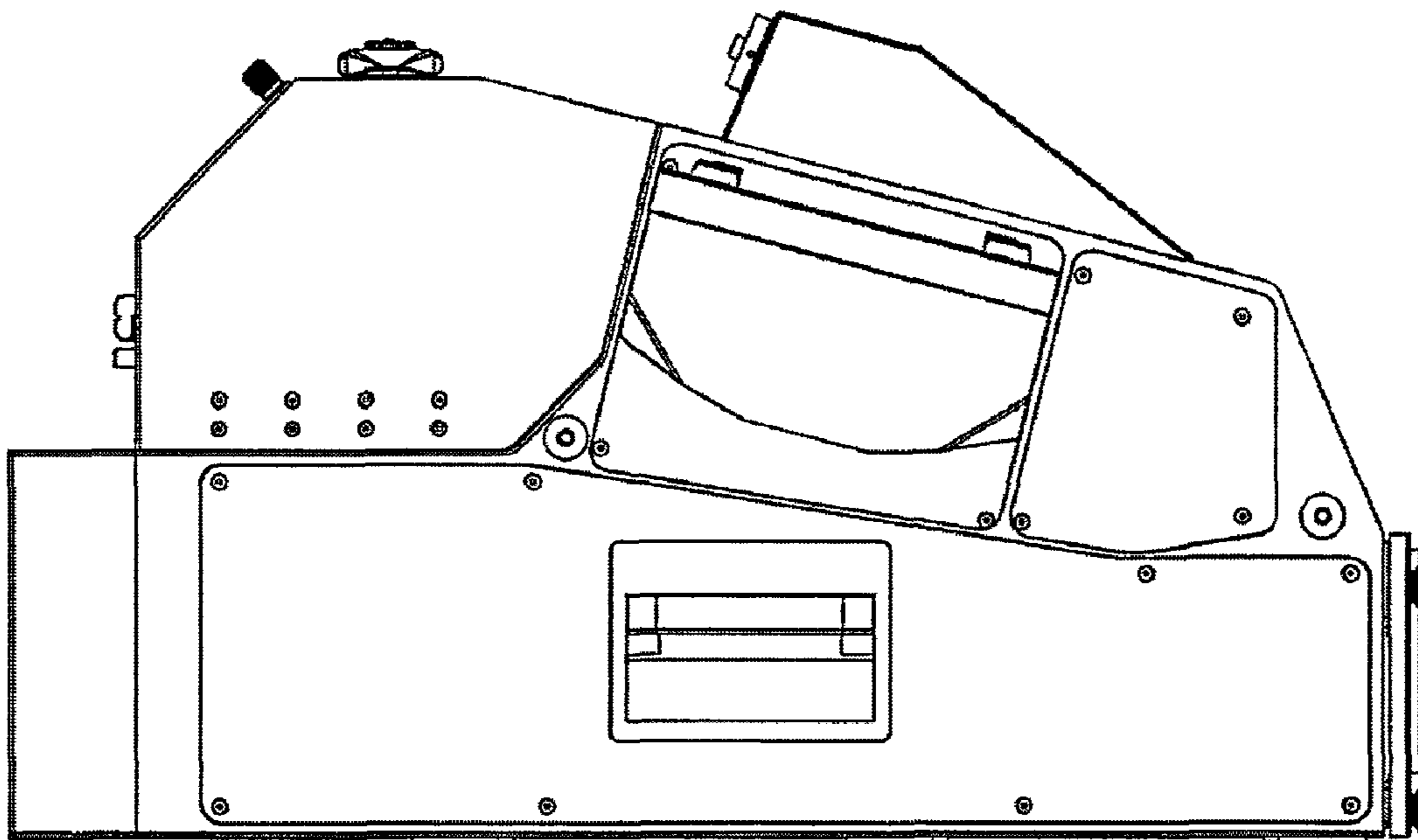
(57) **CLAIM**

The ornamental design for an optical measuring apparatus, as shown and described.

**DESCRIPTION**

FIG. 1 is a front view of the optical measuring apparatus showing our new design;  
FIG. 2 is a rear view thereof;  
FIG. 3 is a bottom view thereof;  
FIG. 4 is a top view thereof;  
FIG. 5 is a right side view thereof;  
FIG. 6 is a left side view thereof; and,  
FIG. 7 is a perspective view of the optical measuring apparatus.

**1 Claim, 6 Drawing Sheets**



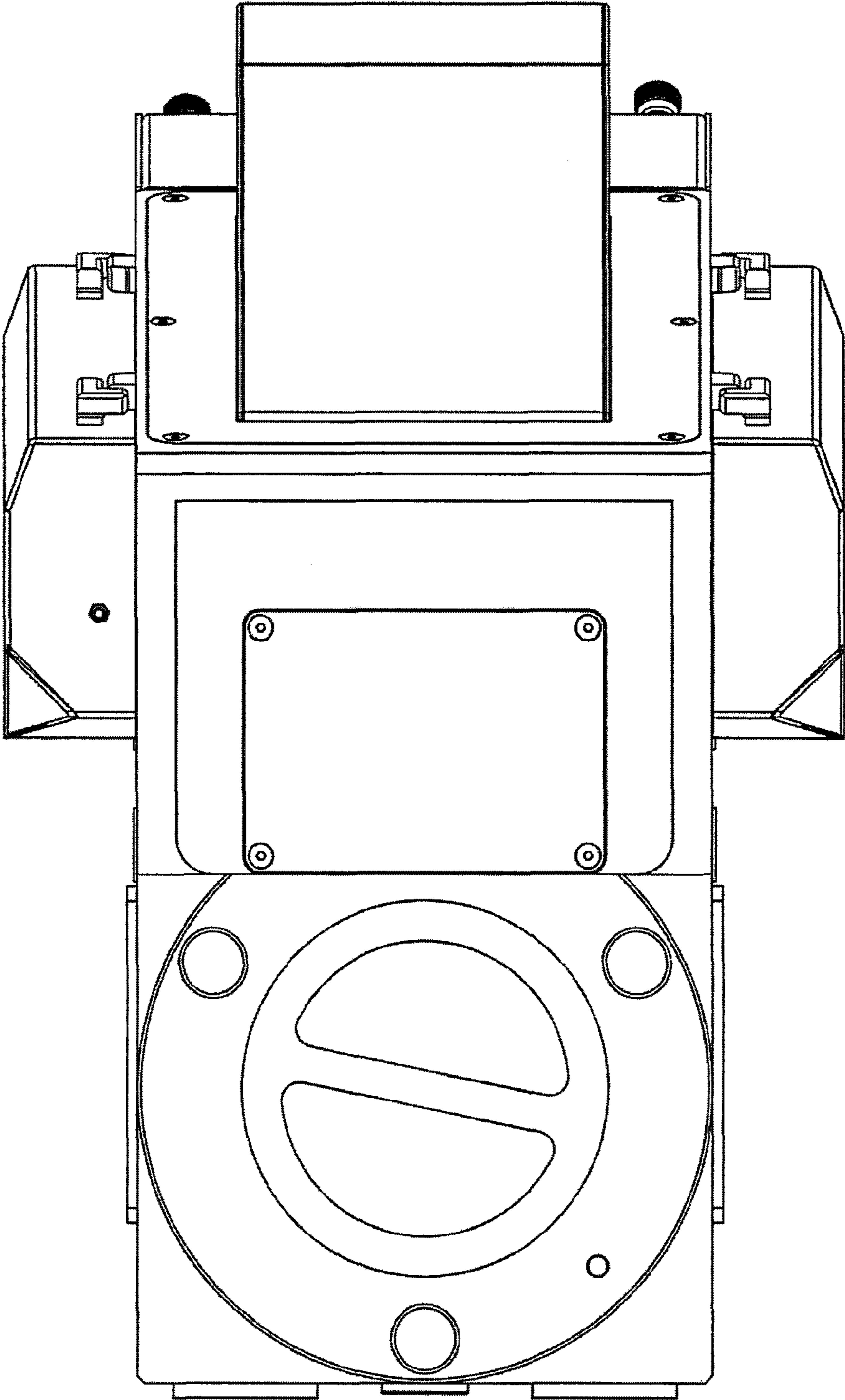


FIGURE 1

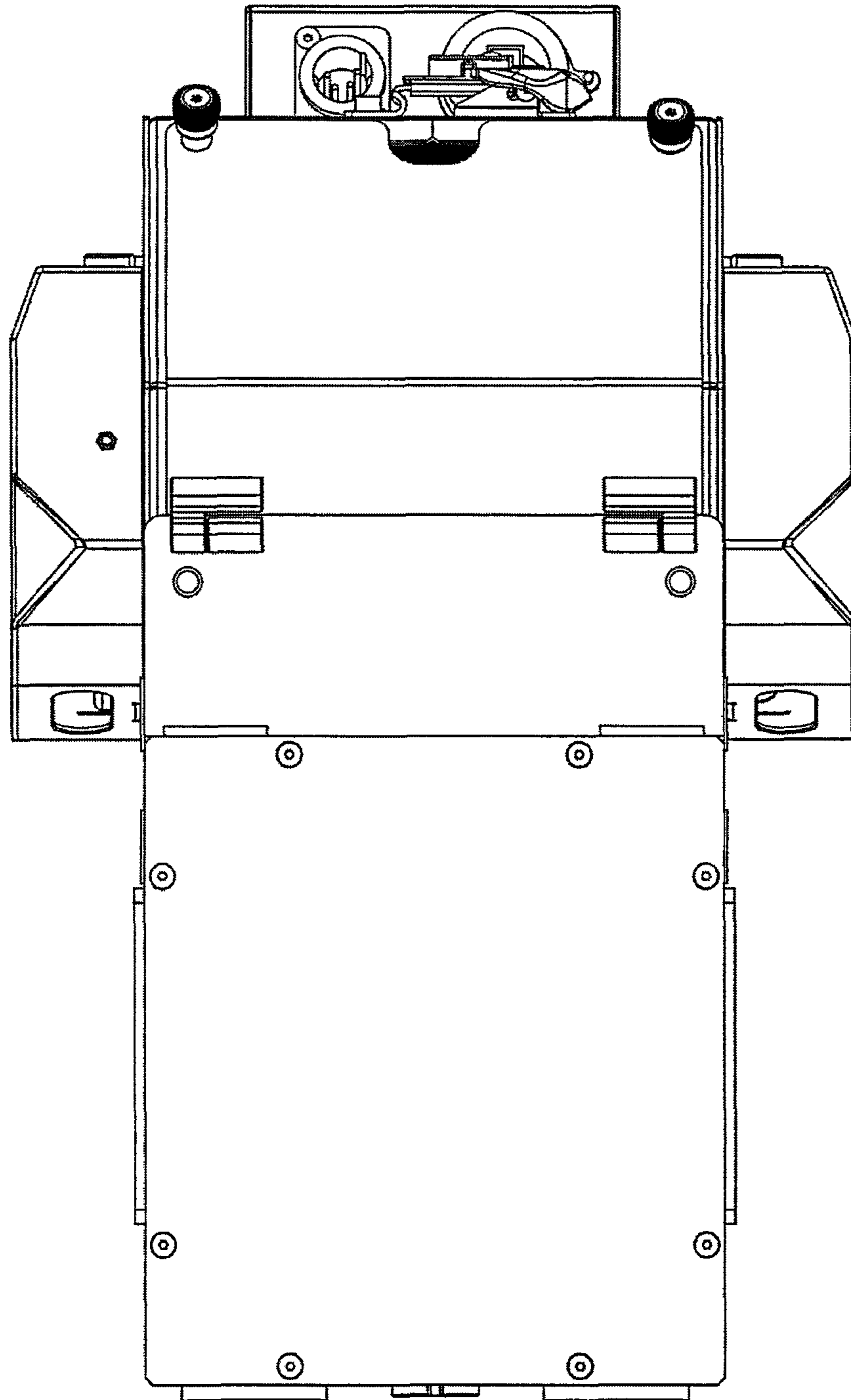


FIGURE 2

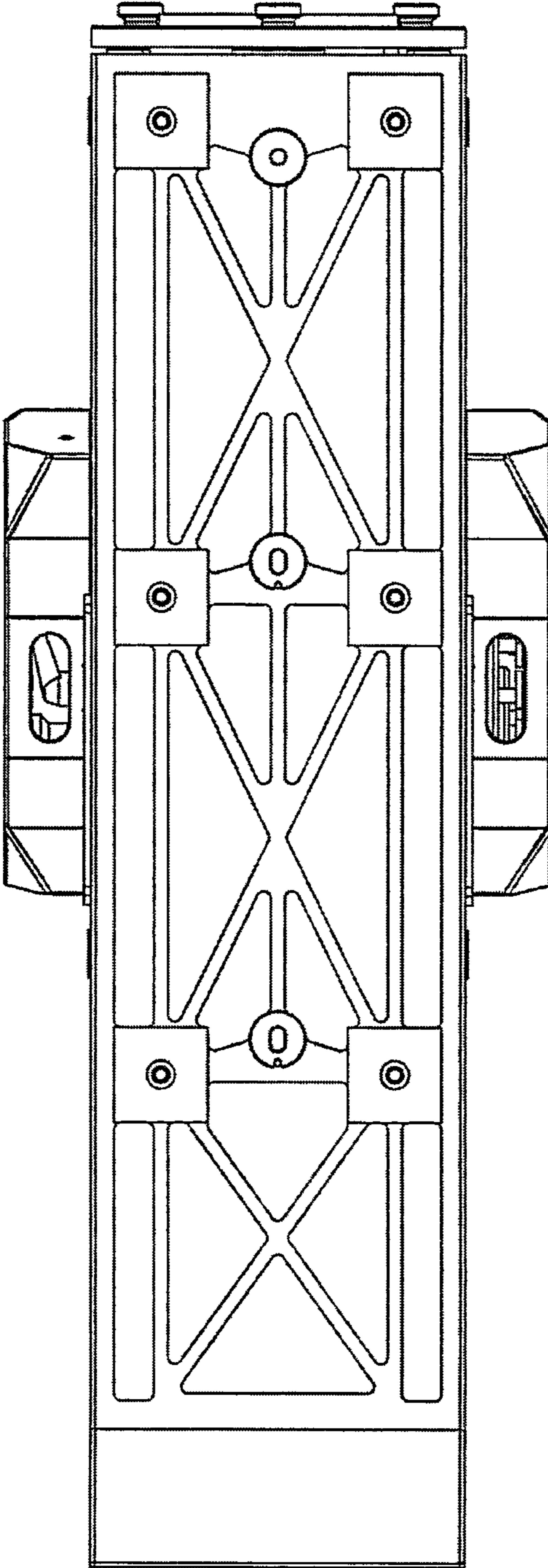


FIGURE 3



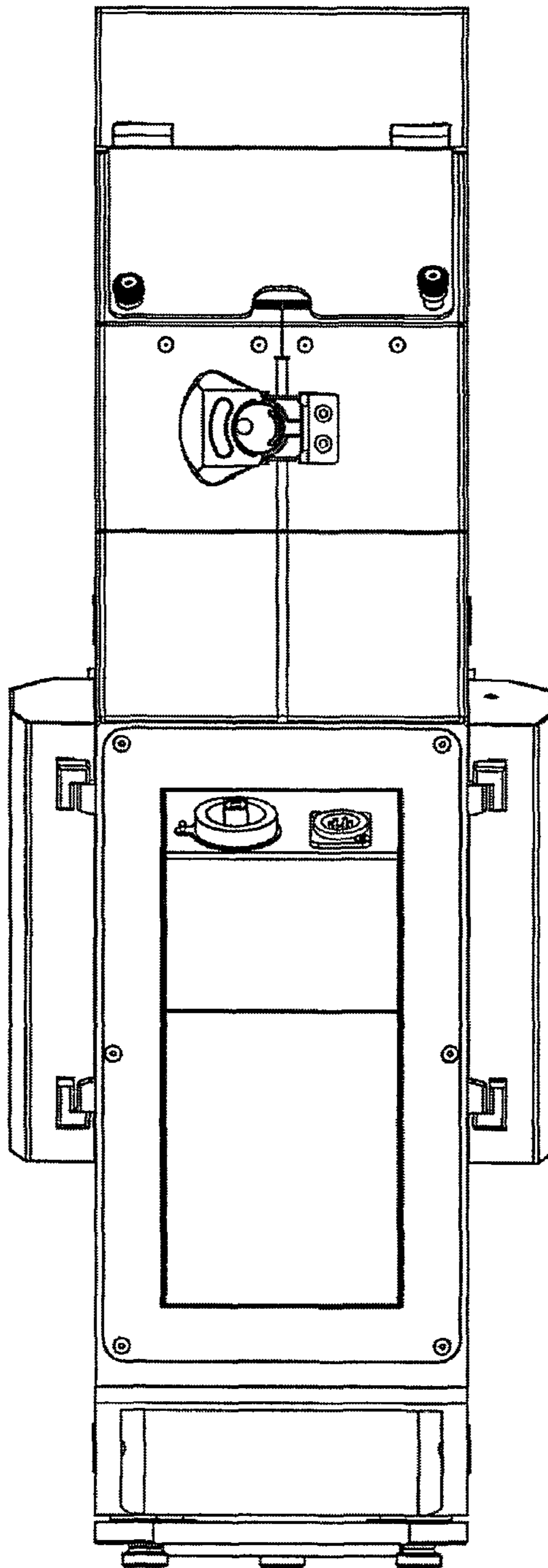


FIGURE 4

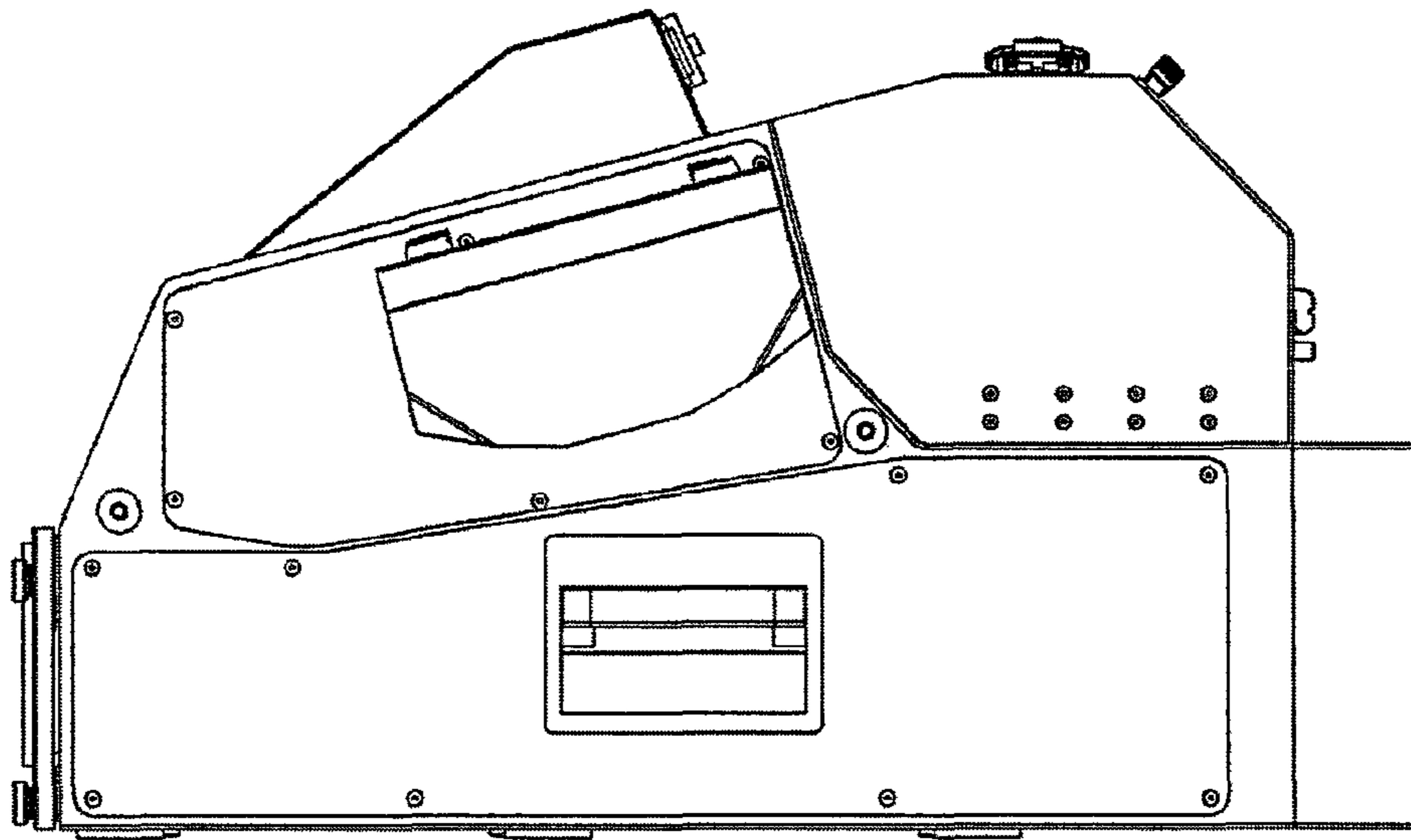


FIGURE 5

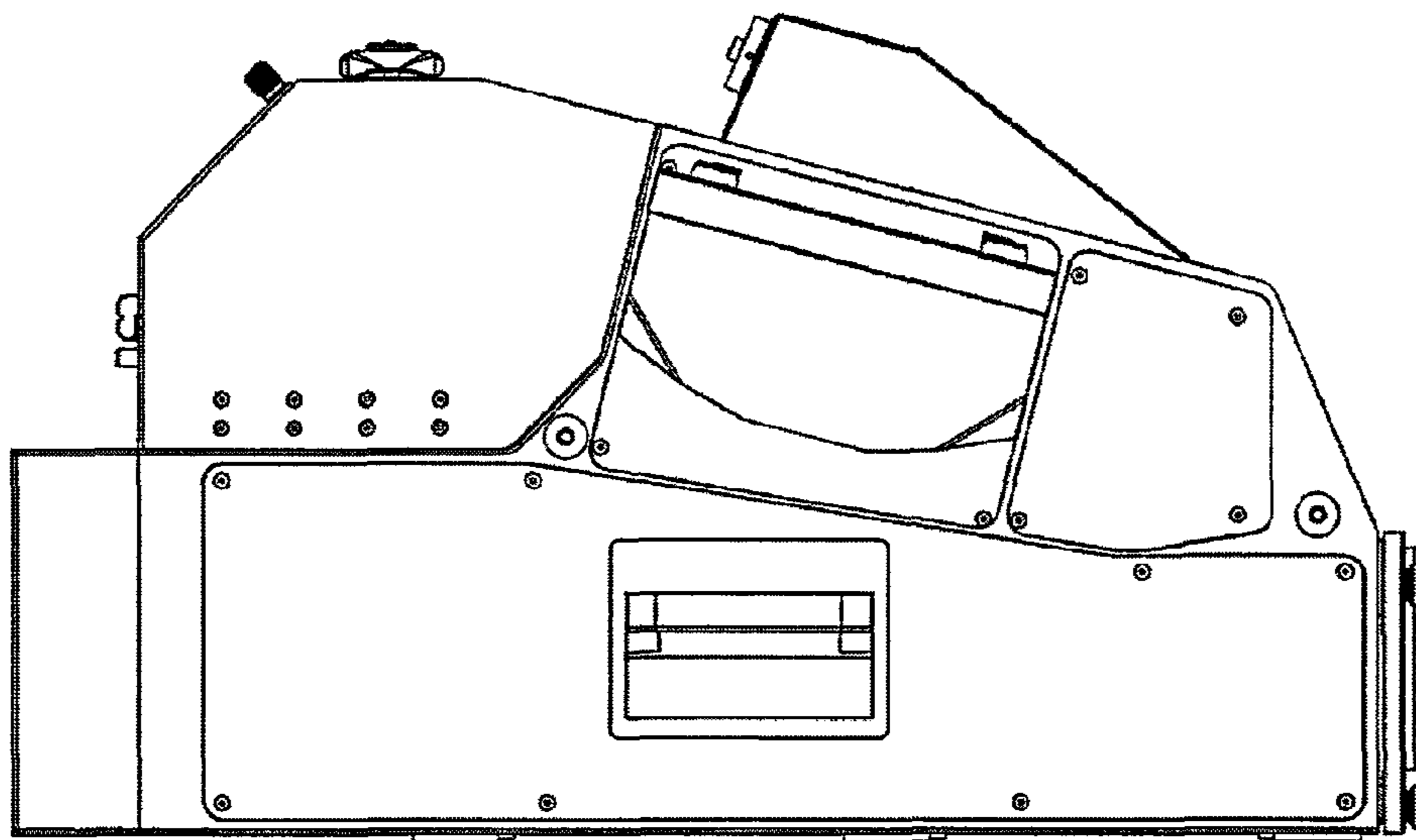


FIGURE 6

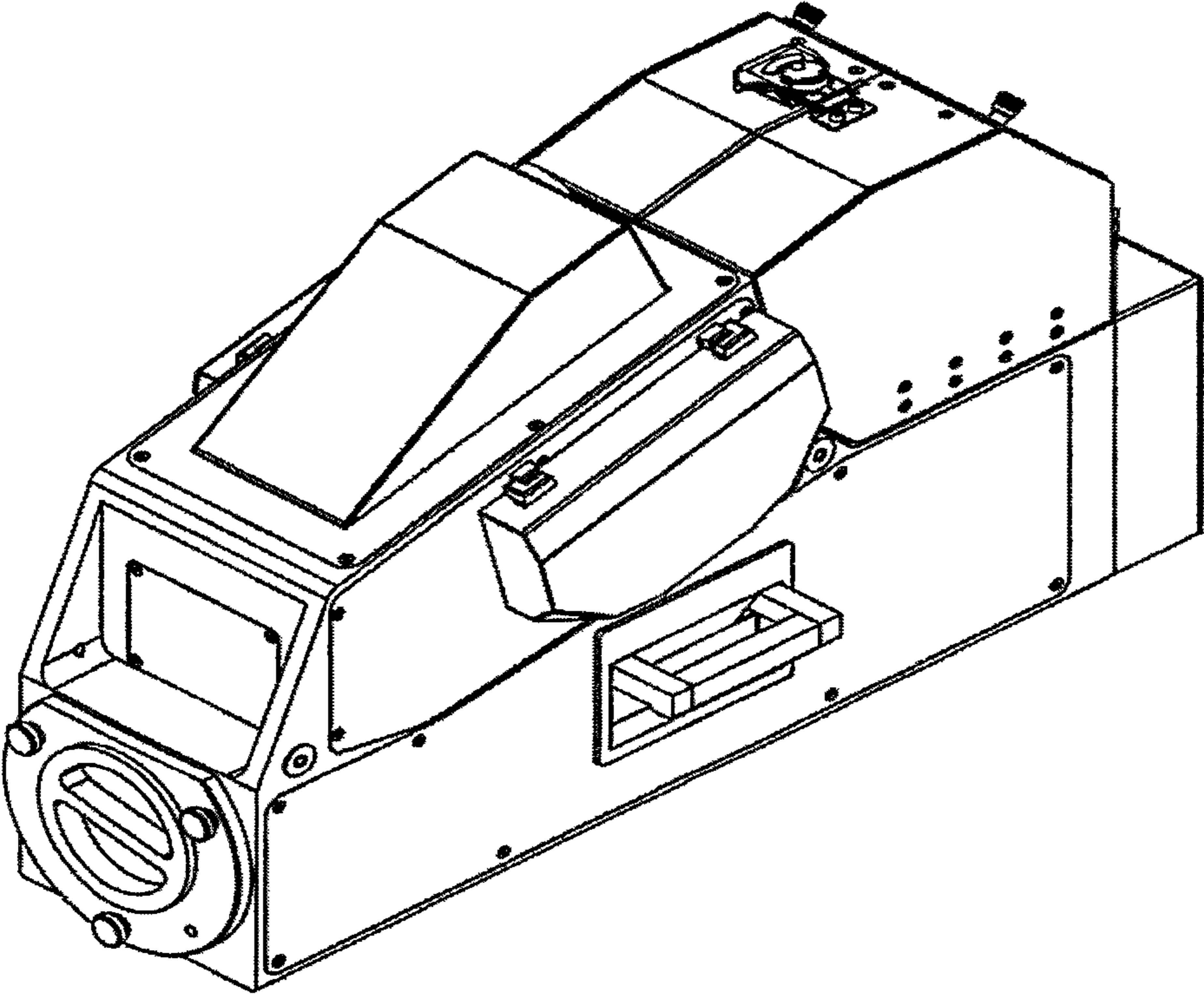


FIGURE 7