



US00D680888S

(12) **United States Design Patent**  
**Ranieri**

(10) **Patent No.:** **US D680,888 S**

(45) **Date of Patent:** **\*\* Apr. 30, 2013**

(54) **TAPE RULE**

(75) Inventor: **Eric Ranieri**, Besancon (FR)

(73) Assignee: **Stanley Black & Decker, Inc.**, New Britain, CT (US)

(\*\*) Term: **14 Years**

(21) Appl. No.: **29/414,823**

(22) Filed: **Mar. 5, 2012**

(51) **LOC (9) Cl.** ..... **10-04**

(52) **U.S. Cl.**

USPC ..... **D10/72**

(58) **Field of Classification Search** ..... D10/72,  
D10/74; 33/755-771; 242/285, 291, 379,  
242/379.1, 379.2, 381, 381.1-381.6, 405  
See application file for complete search history.

(56) **References Cited**

**U.S. PATENT DOCUMENTS**

D554,011 S \* 10/2007 Levick ..... D10/72

\* cited by examiner

*Primary Examiner* — Antoine D Davis

(74) *Attorney, Agent, or Firm* — John Yun

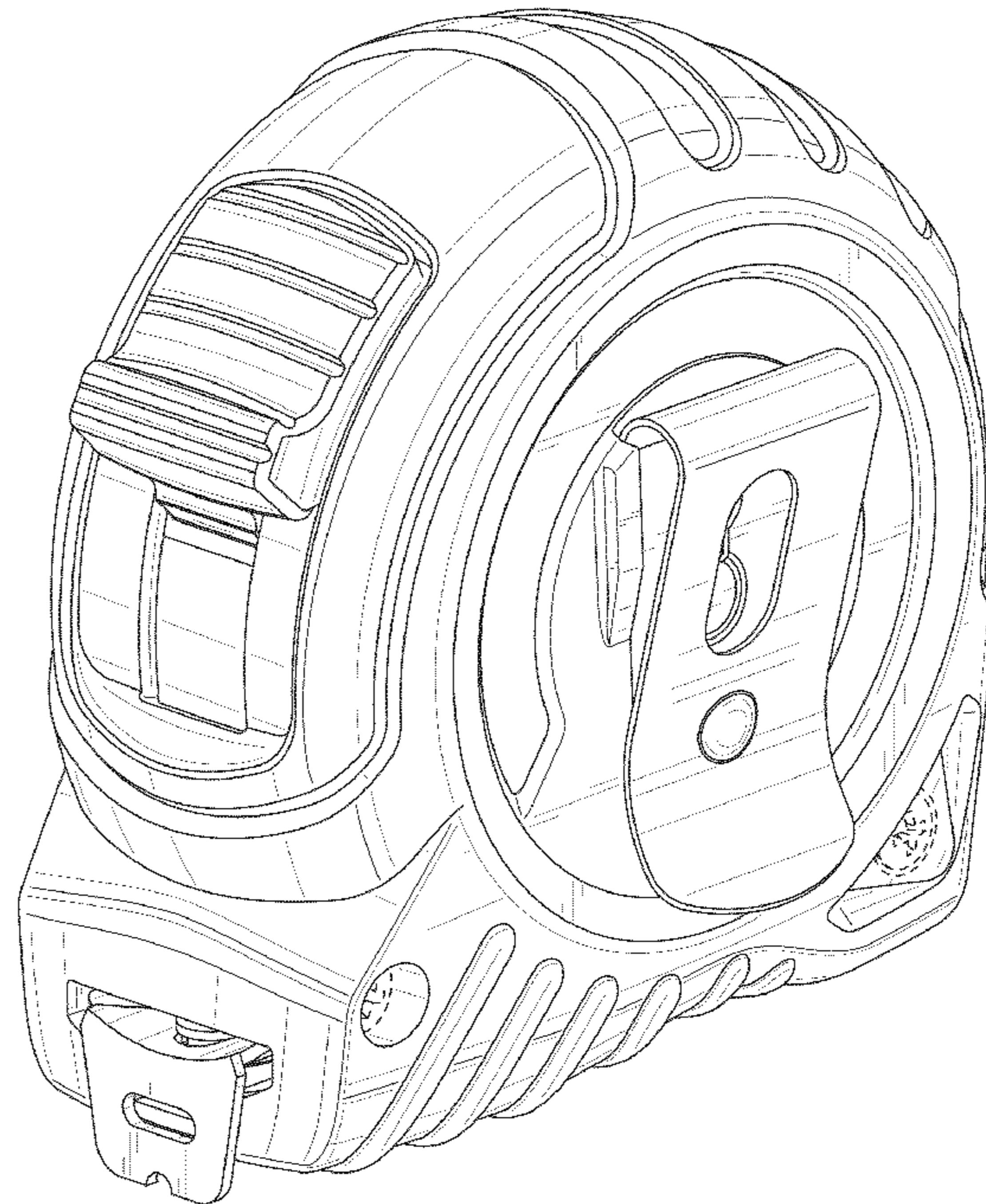
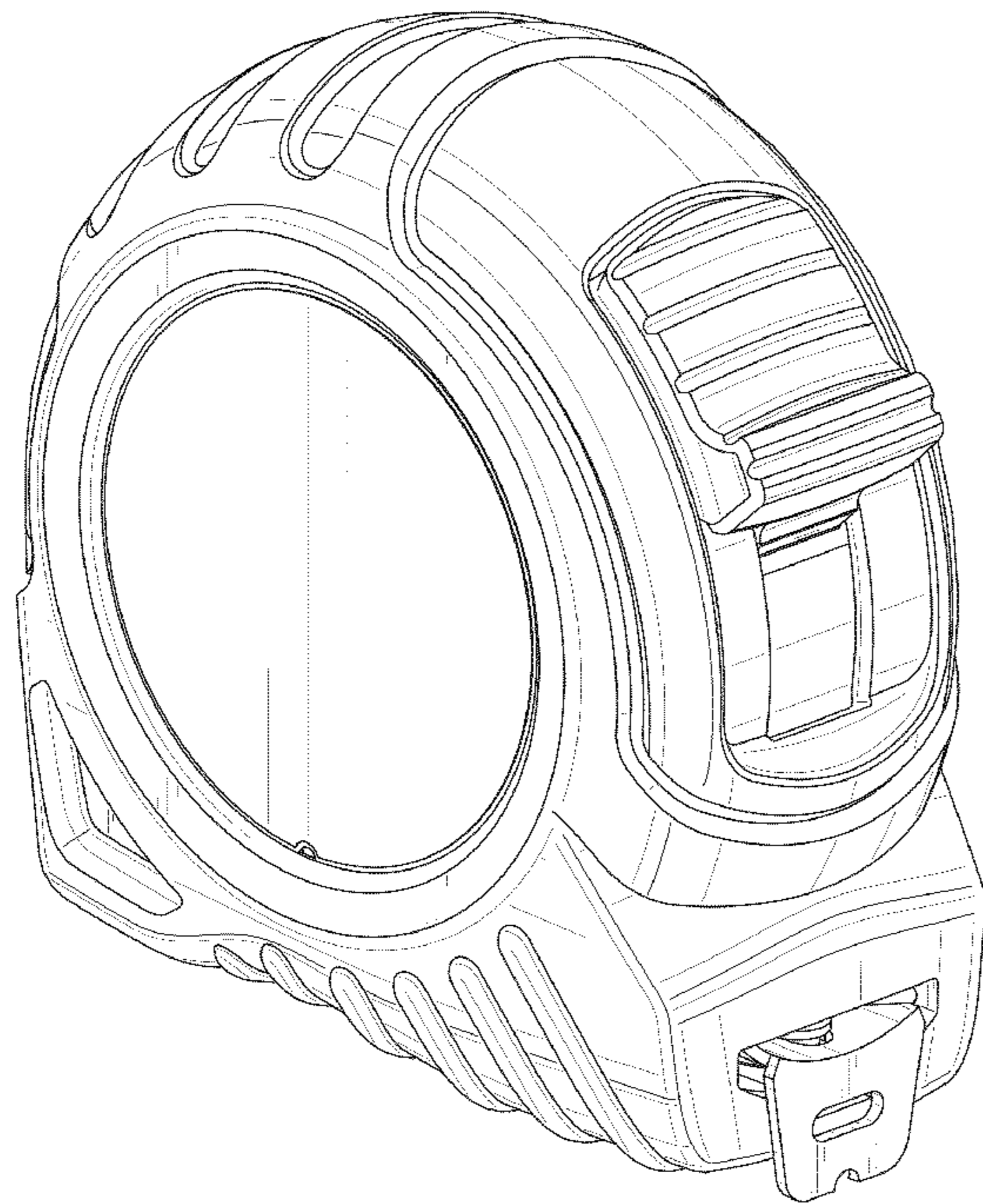
(57) **CLAIM**

The ornamental design for a tape rule, as shown and described.

**DESCRIPTION**

FIG. 1 is a right perspective view of a tape rule showing my new design;  
FIG. 2 is a right side view thereof  
FIG. 3 is a left side view thereof;  
FIG. 4 is a rear view thereof;  
FIG. 5 is a front view thereof;  
FIG. 6 is a top plan view thereof;  
FIG. 7 is a bottom plan view thereof; and,  
FIG. 8 is a left perspective view thereof.  
In the above drawings, the broken lines and the areas within the broken lines form no part of the claimed design.

**1 Claim, 7 Drawing Sheets**



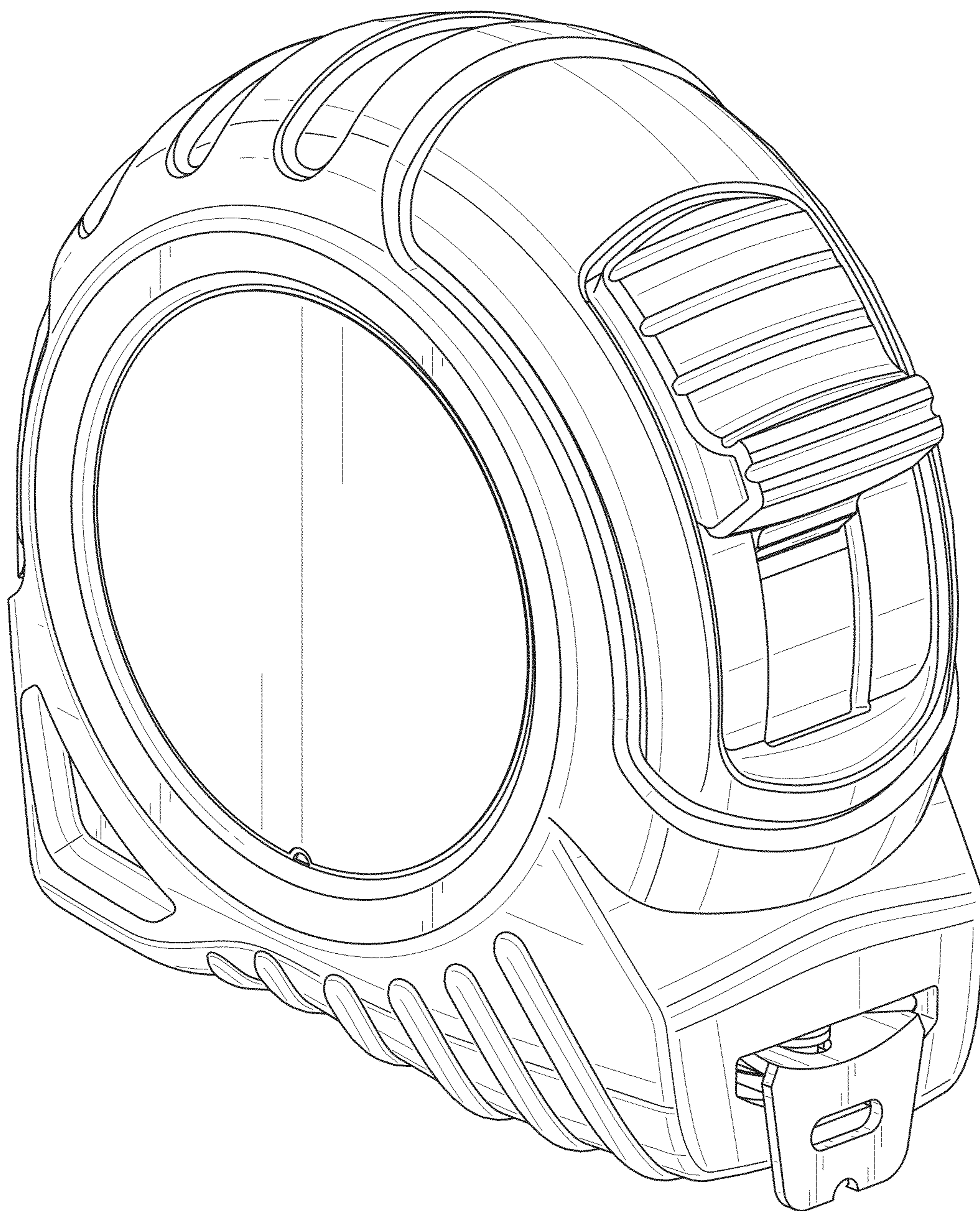


FIG. 1

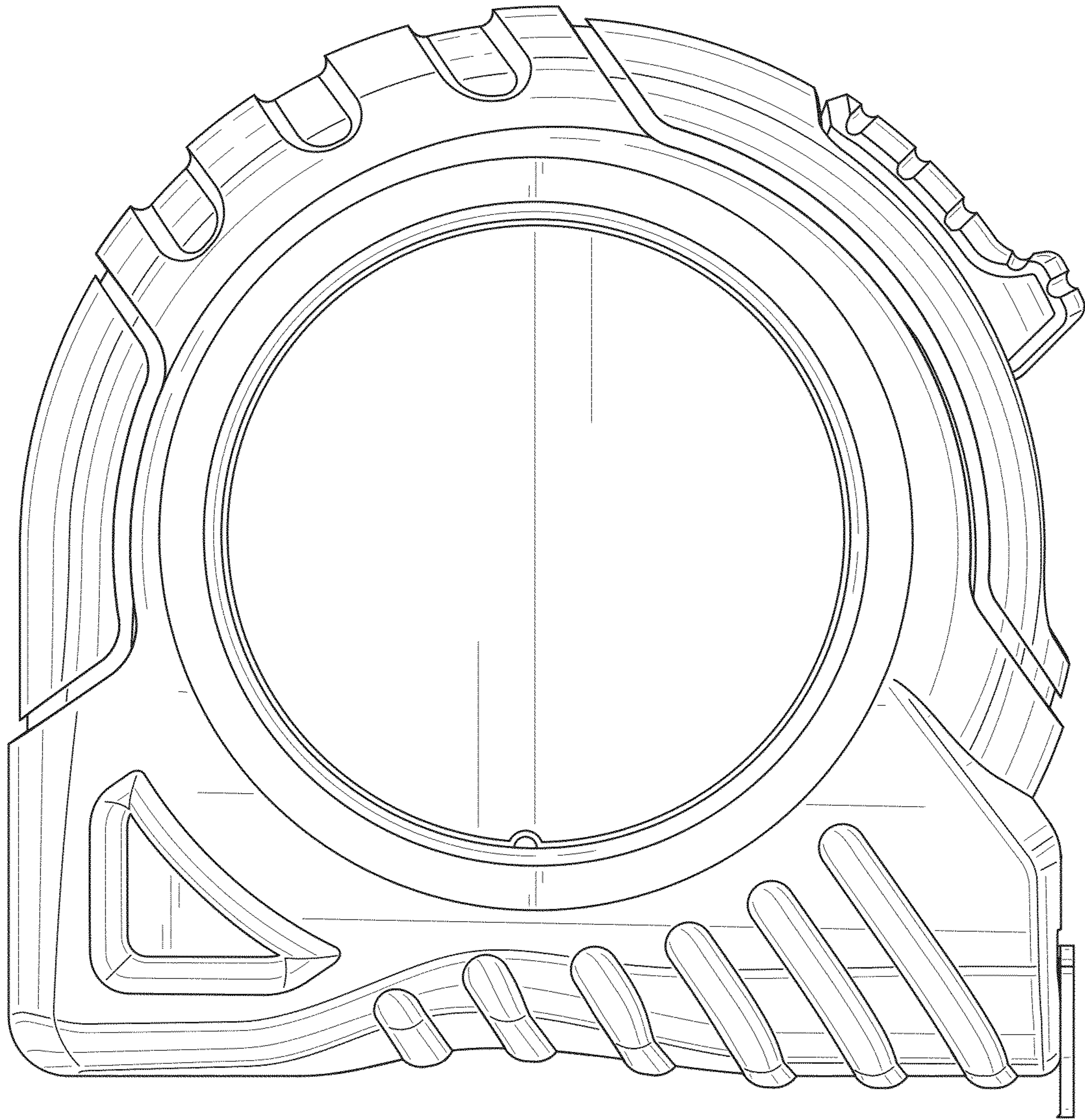


FIG. 2

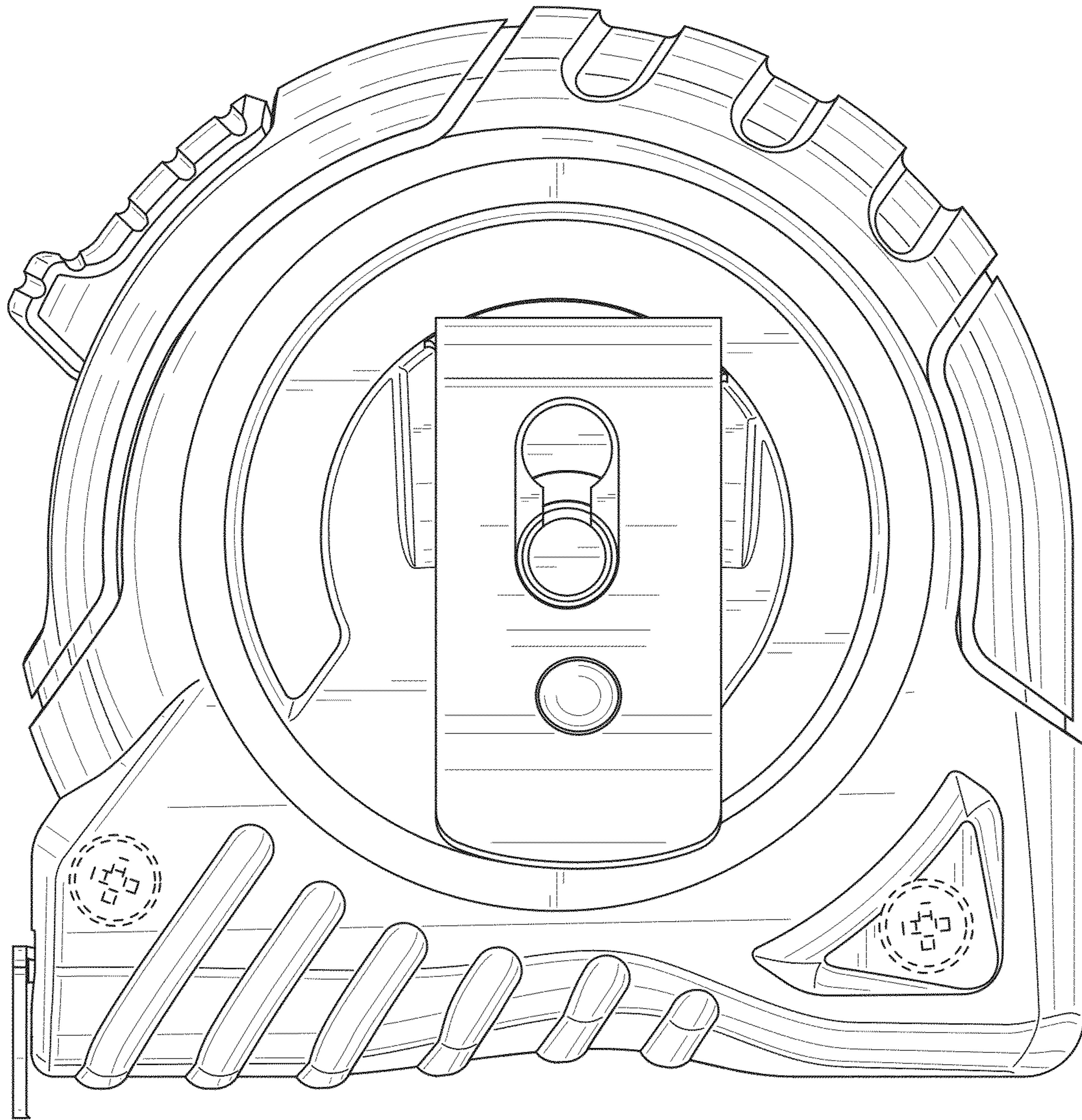


FIG. 3

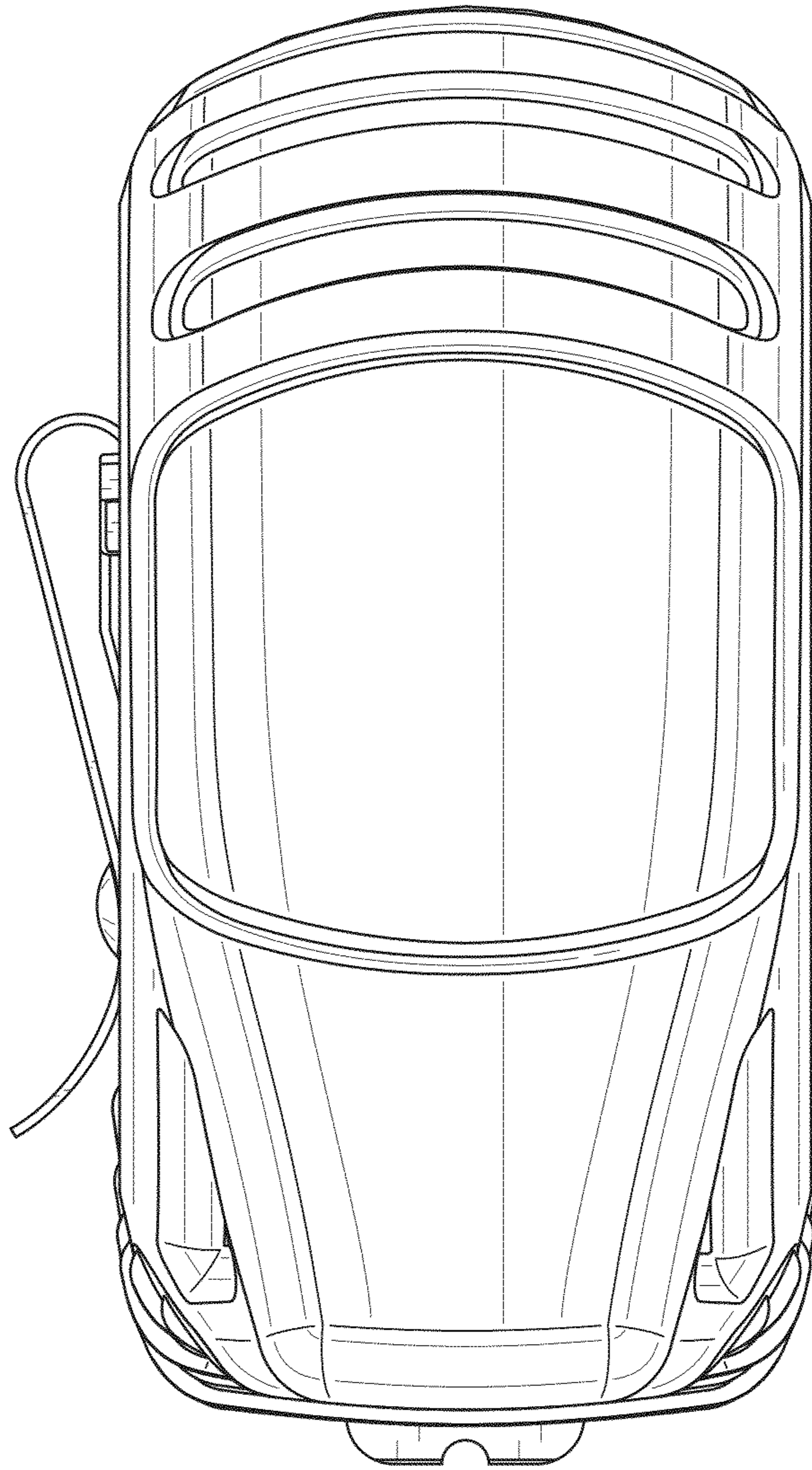


FIG. 4

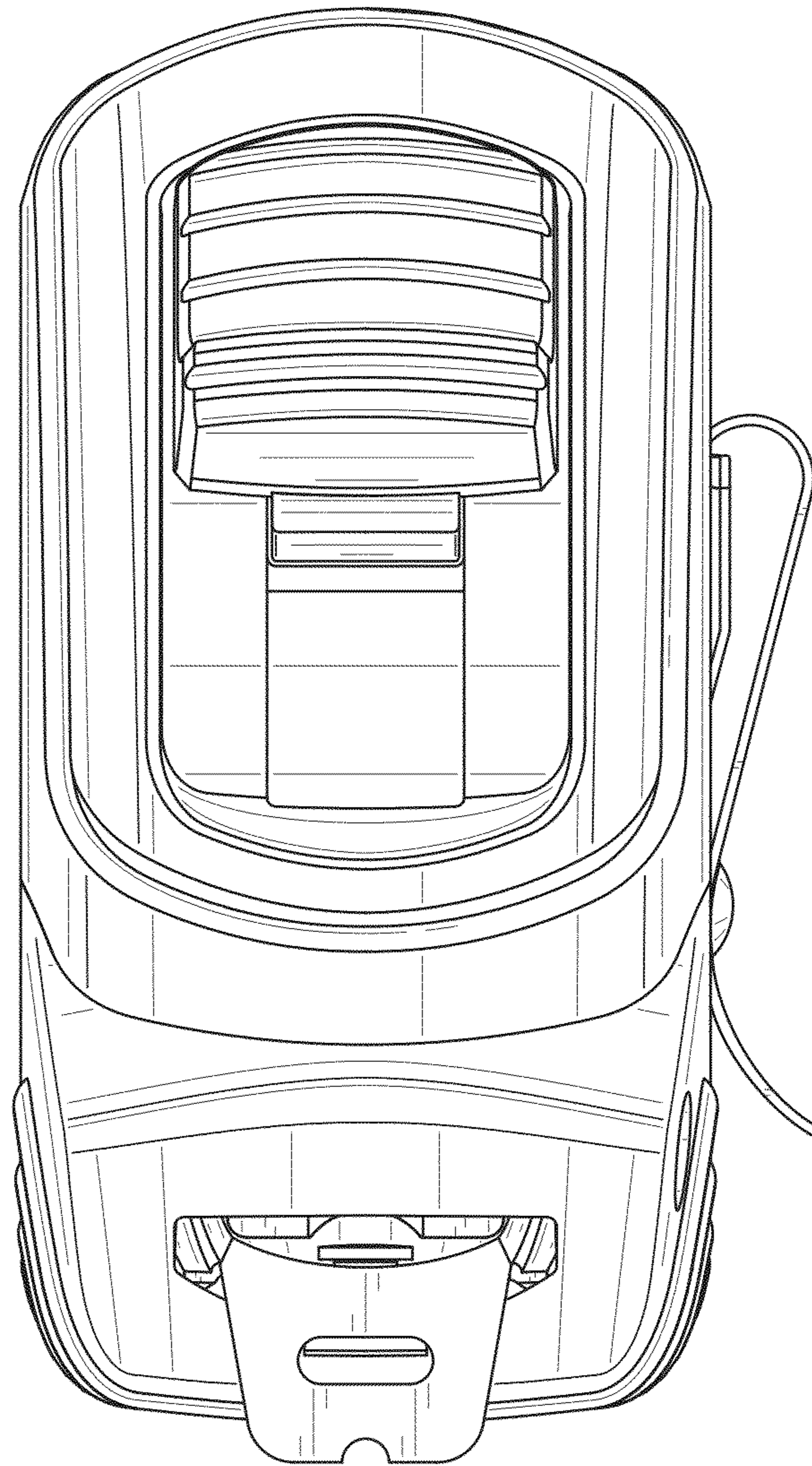


FIG. 5

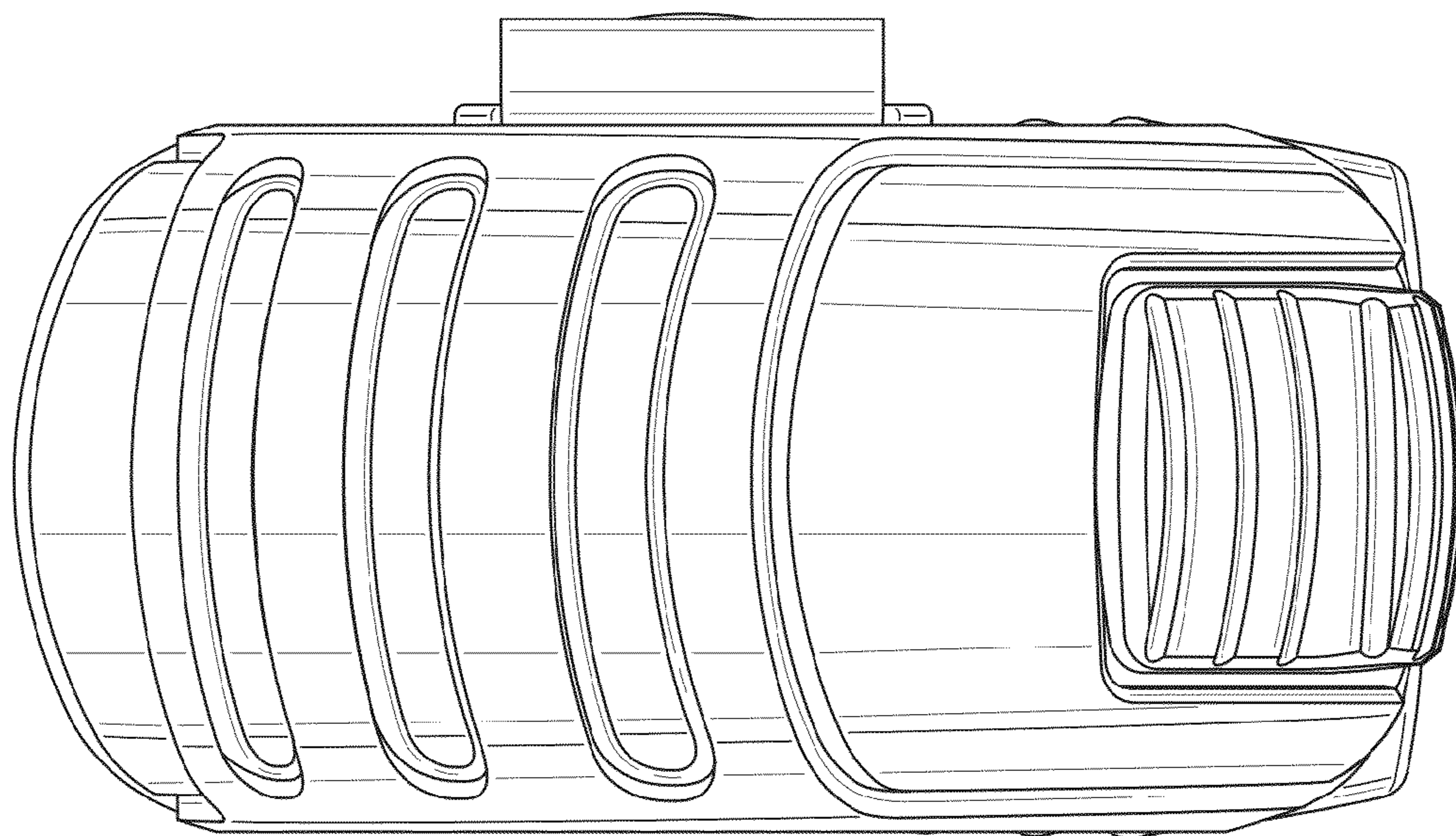


FIG. 6

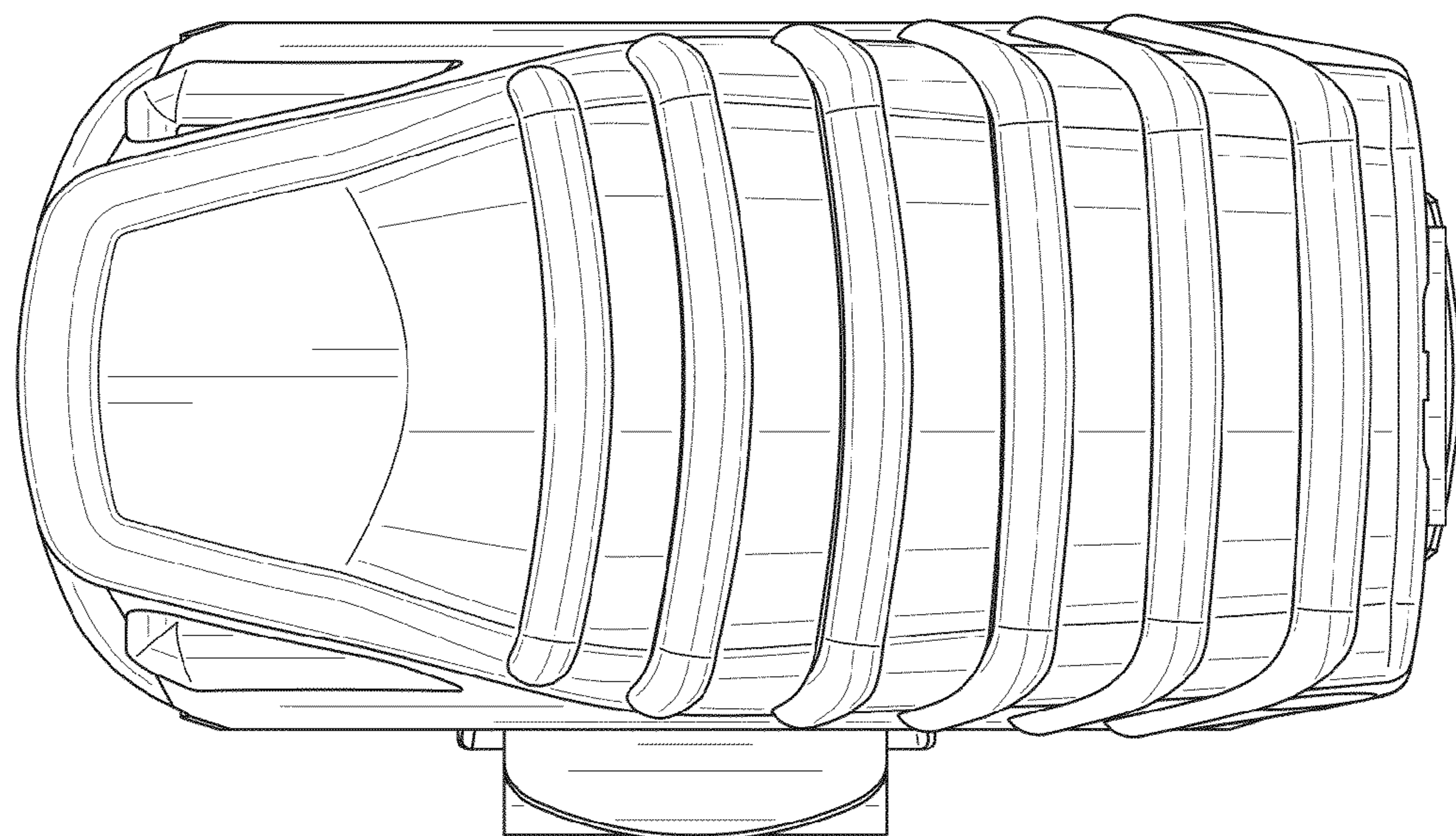


FIG. 7



FIG. 8