



US00D680887S

(12) **United States Design Patent**
Dressel et al.

(10) **Patent No.:** **US D680,887 S**
(45) **Date of Patent:** **** Apr. 30, 2013**

(54) **MARKING DEVICE**

(75) Inventors: **Bruce B. Dressel**, Aylett, VA (US);
Marshall V. C. Dressel, Everson, WA
(US)

(73) Assignee: **Dressel Designs, LLC**, Everson, WA
(US)

(**) Term: **14 Years**

(21) Appl. No.: **29/388,831**

(22) Filed: **Apr. 1, 2011**

(51) **LOC (9) Cl.** **10-04**

(52) **U.S. Cl.**
USPC **D10/64**

(58) **Field of Classification Search** D8/14,
D8/45; D10/61, 64-65; 33/528, 562, 565-566,
33/574-579, 644, 669
See application file for complete search history.

(56) **References Cited**

U.S. PATENT DOCUMENTS

D31,796	S	*	11/1899	Morgan	D10/64
1,222,961	A	*	4/1917	Maker	30/446
1,260,226	A	*	3/1918	Maker	30/446
2,775,812	A		1/1957	Mohr		
2,809,440	A	*	10/1957	Schlage	33/197
2,887,776	A	*	5/1959	Eisner	33/528
2,898,688	A		8/1959	Cottar		
3,940,857	A		3/1976	Giordano		
D242,903	S	*	1/1977	Benoit	D10/64
D242,904	S	*	1/1977	Benoit	D10/64
4,059,905	A	*	11/1977	Wieting	33/528
4,259,785	A	*	4/1981	Wortham	33/528
4,589,211	A	*	5/1986	Policka	33/669
4,802,284	A	*	2/1989	Jackson	33/528
4,837,942	A	*	6/1989	Watts	33/666
D315,316	S	*	3/1991	Reynolds et al.	D10/64
5,040,304	A	*	8/1991	Jackson	33/528

5,136,788	A	*	8/1992	Jackson	33/528
5,157,844	A		10/1992	Mallison et al.		
5,172,483	A	*	12/1992	Yocono et al.	33/528
6,055,736	A	*	5/2000	Gaston	33/528
6,101,731	A		8/2000	Mesa		
6,289,594	B1	*	9/2001	Wrobbel	33/42

(Continued)

OTHER PUBLICATIONS

Rocker's Corner Clip & Straight Clip. Downloaded from <http://www.dresseldesigns.com/Products.html> on Sep. 8, 2012.*

(Continued)

Primary Examiner — Philip S Hyder

Assistant Examiner — Roselynn Cody

(74) *Attorney, Agent, or Firm* — Seed IP Law Group PLLC

(57) **CLAIM**

The ornamental design for a marking device, as shown and described.

DESCRIPTION

FIG. 1 is a top isometric view of an embodiment of a marking device.

FIG. 2 is a bottom isometric view of the marking device of FIG. 1.

FIG. 3 is a top plan view of the marking device of FIG. 1.

FIG. 4 is a bottom plan view of the marking device of FIG. 1.

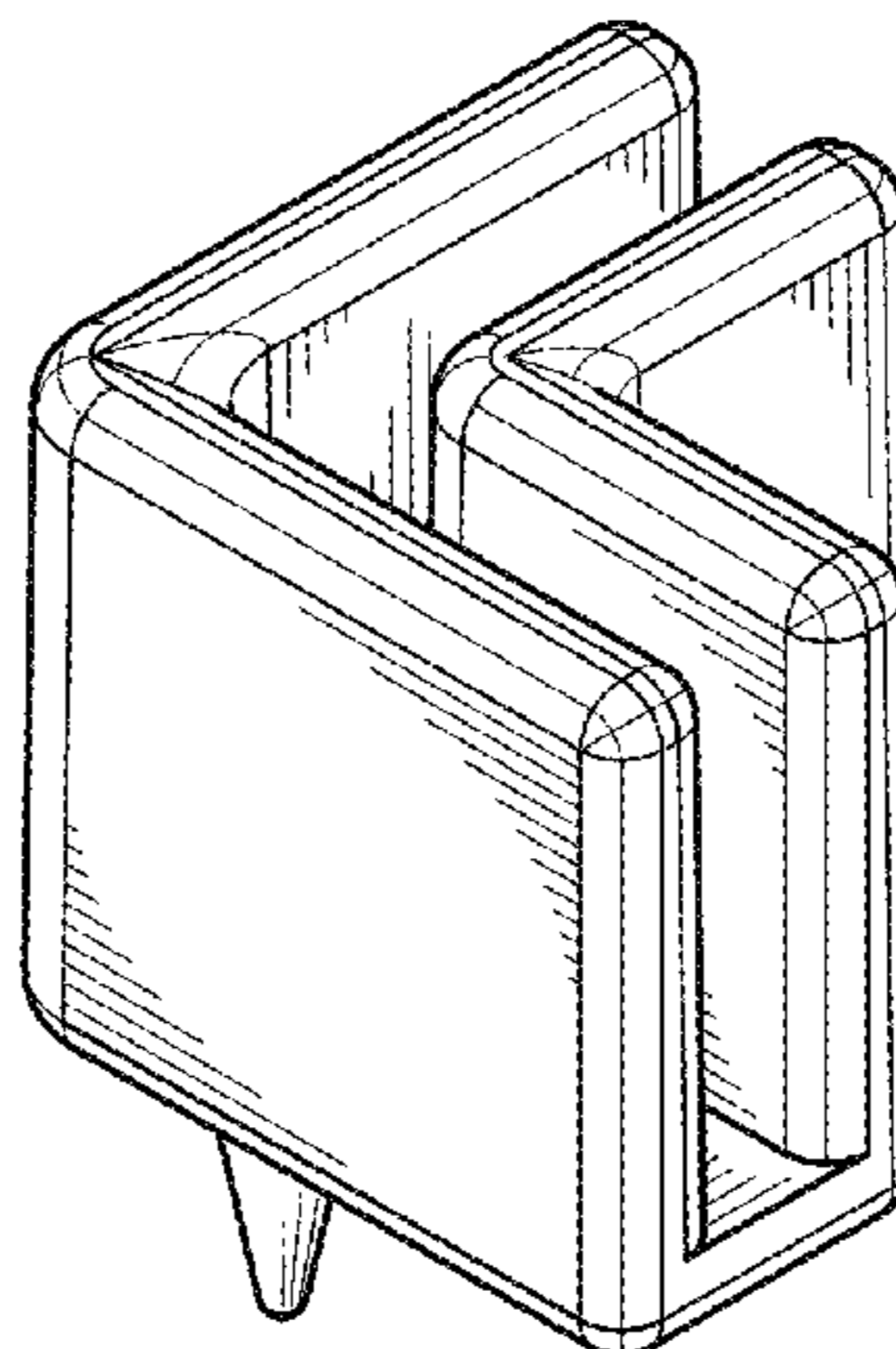
FIG. 5 is a front elevational view of the marking device of FIG. 1.

FIG. 6 is a rear elevational view of the marking device of FIG. 1.

FIG. 7 is a left side elevational view of the marking device of FIG. 1; and,

FIG. 8 is a right side elevational view of the marking device of FIG. 1.

1 Claim, 2 Drawing Sheets



US D680,887 S

Page 2

U.S. PATENT DOCUMENTS

D456,287 S * 4/2002 Ferruggia D10/64
6,463,668 B1 * 10/2002 Williams 33/528
6,467,174 B1 * 10/2002 Kotori 30/293
6,938,354 B2 * 9/2005 Worthington 33/668
6,944,962 B2 * 9/2005 Tessel et al. 33/414
6,952,887 B2 * 10/2005 Muchnik 33/666
7,572,978 B1 * 8/2009 Keith, Jr. 174/58

7,891,108 B1 * 2/2011 Cordobes 33/528
2009/0057303 A1 3/2009 Oddsen et al. 220/3.5

OTHER PUBLICATIONS

HandyMark Drywall Tool, URL=<http://www.handymark.net>, download date Apr. 1, 2011, 1 page.

* cited by examiner

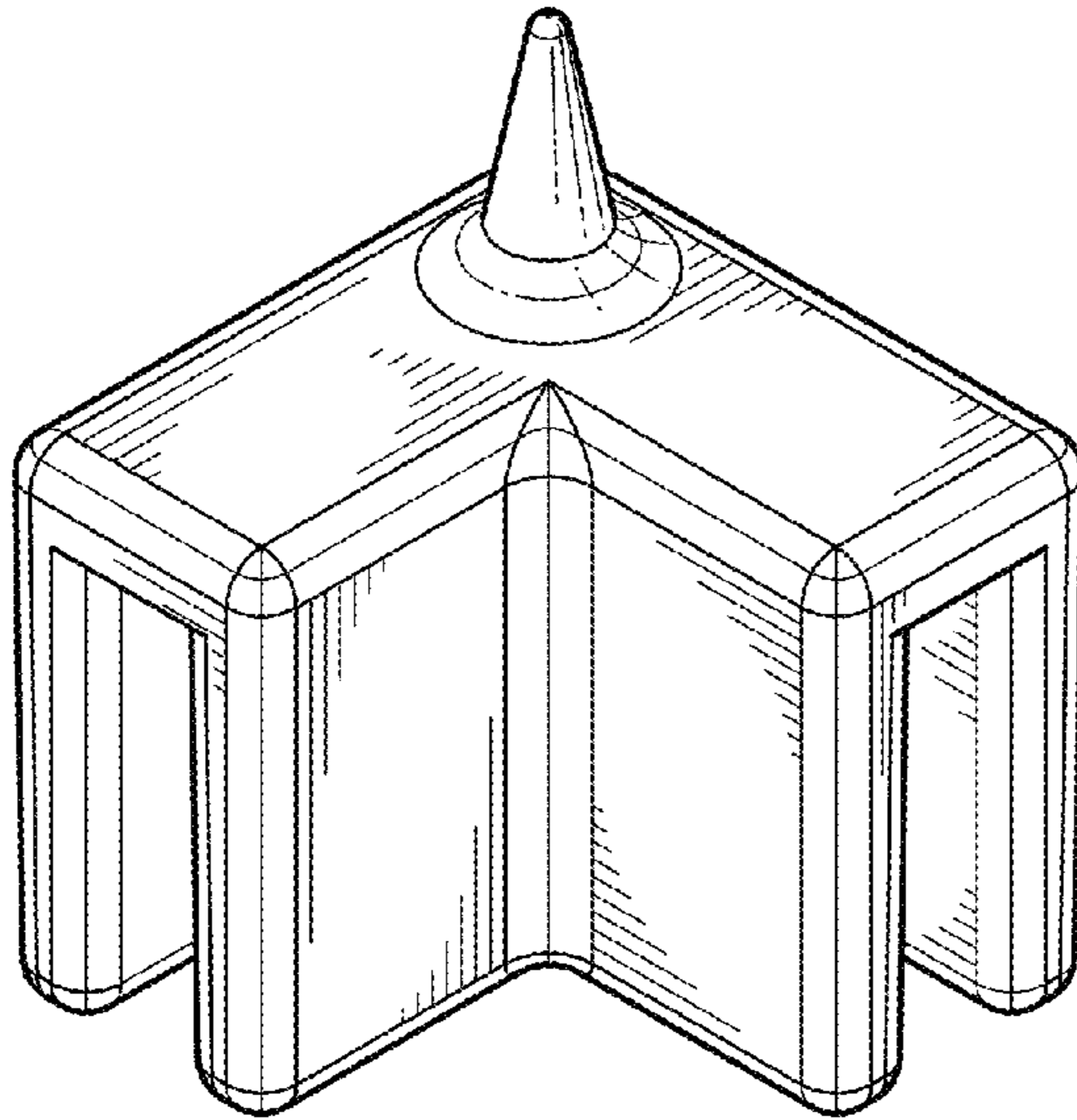


FIG. 1

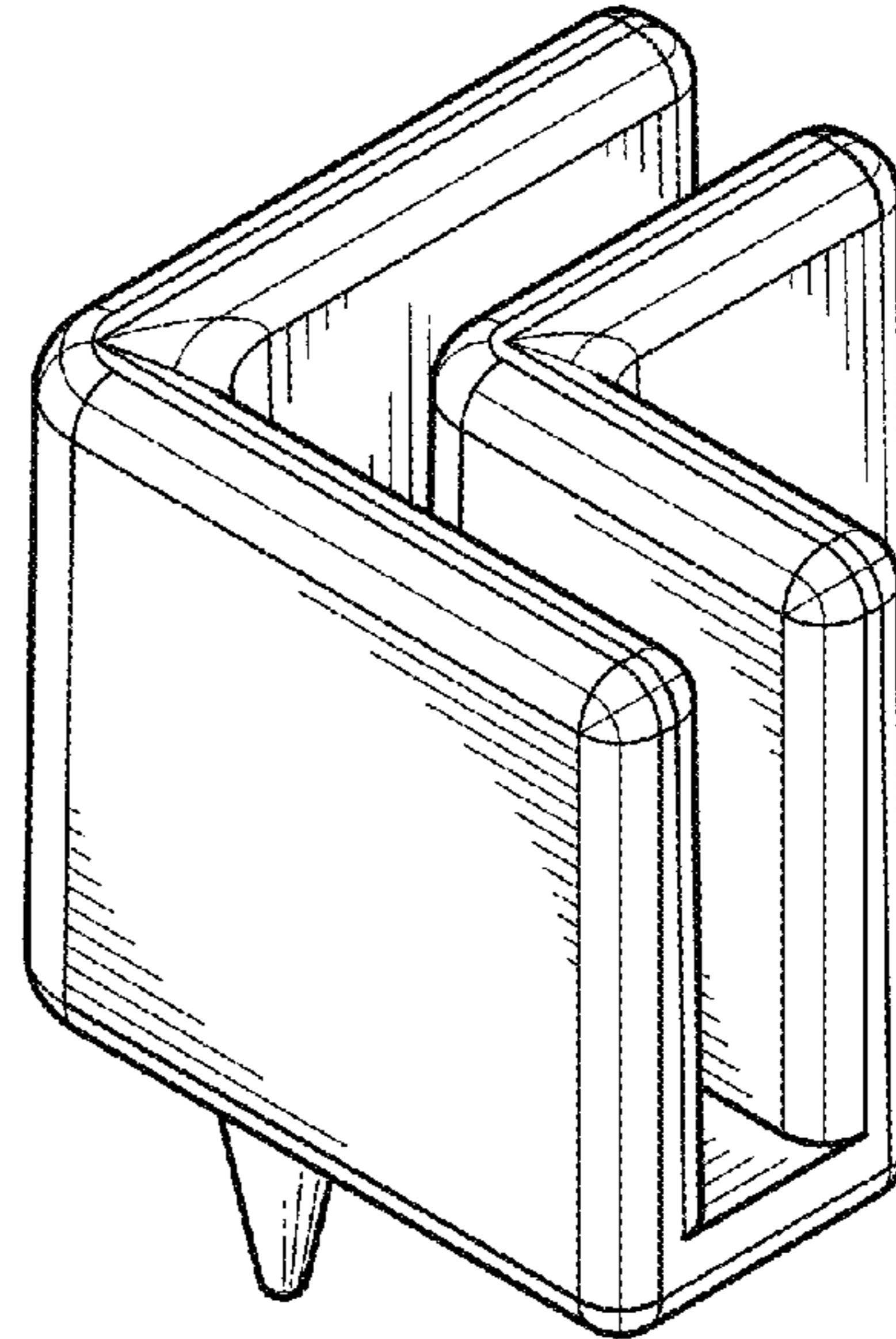


FIG. 2

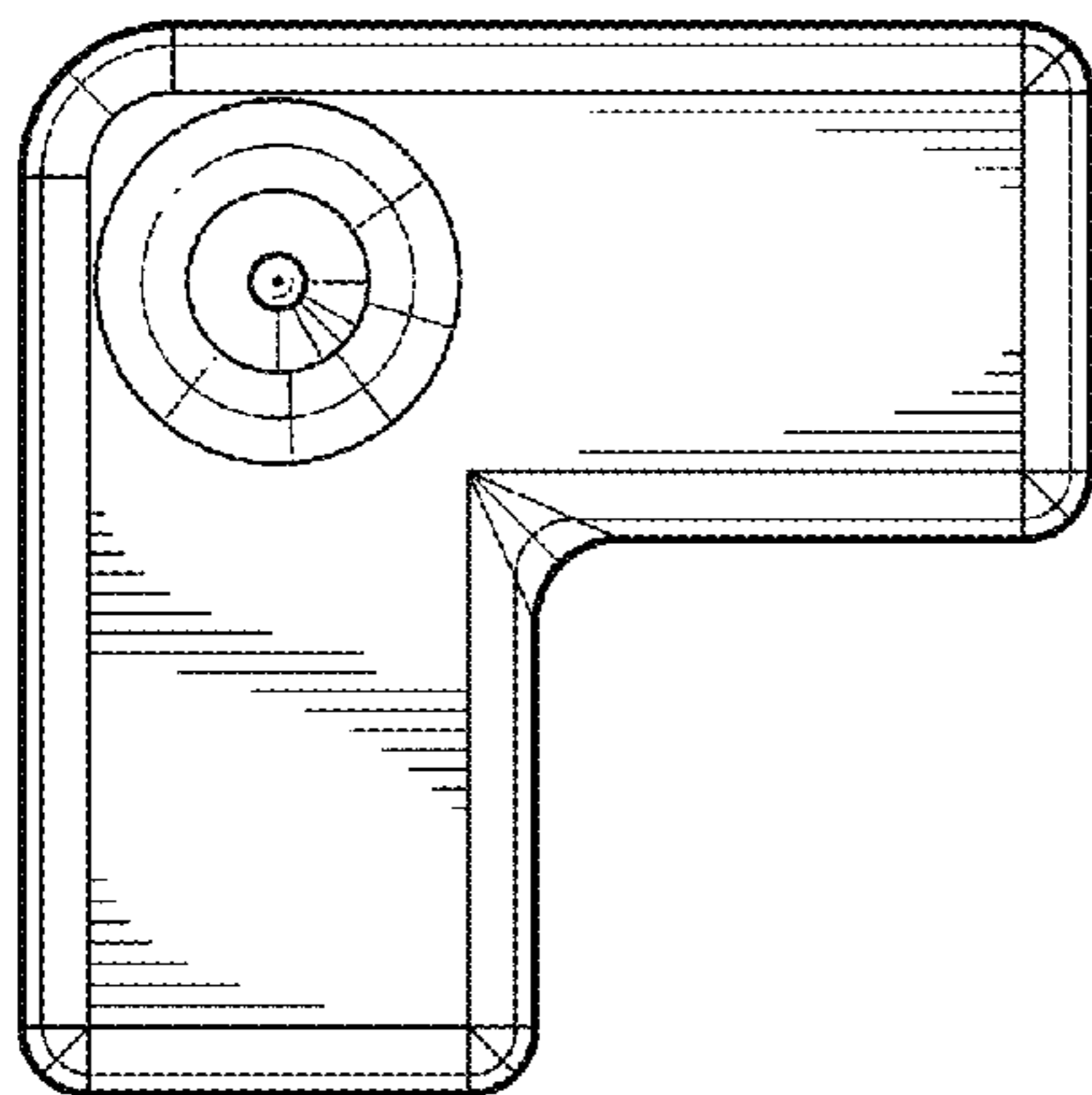


FIG. 3

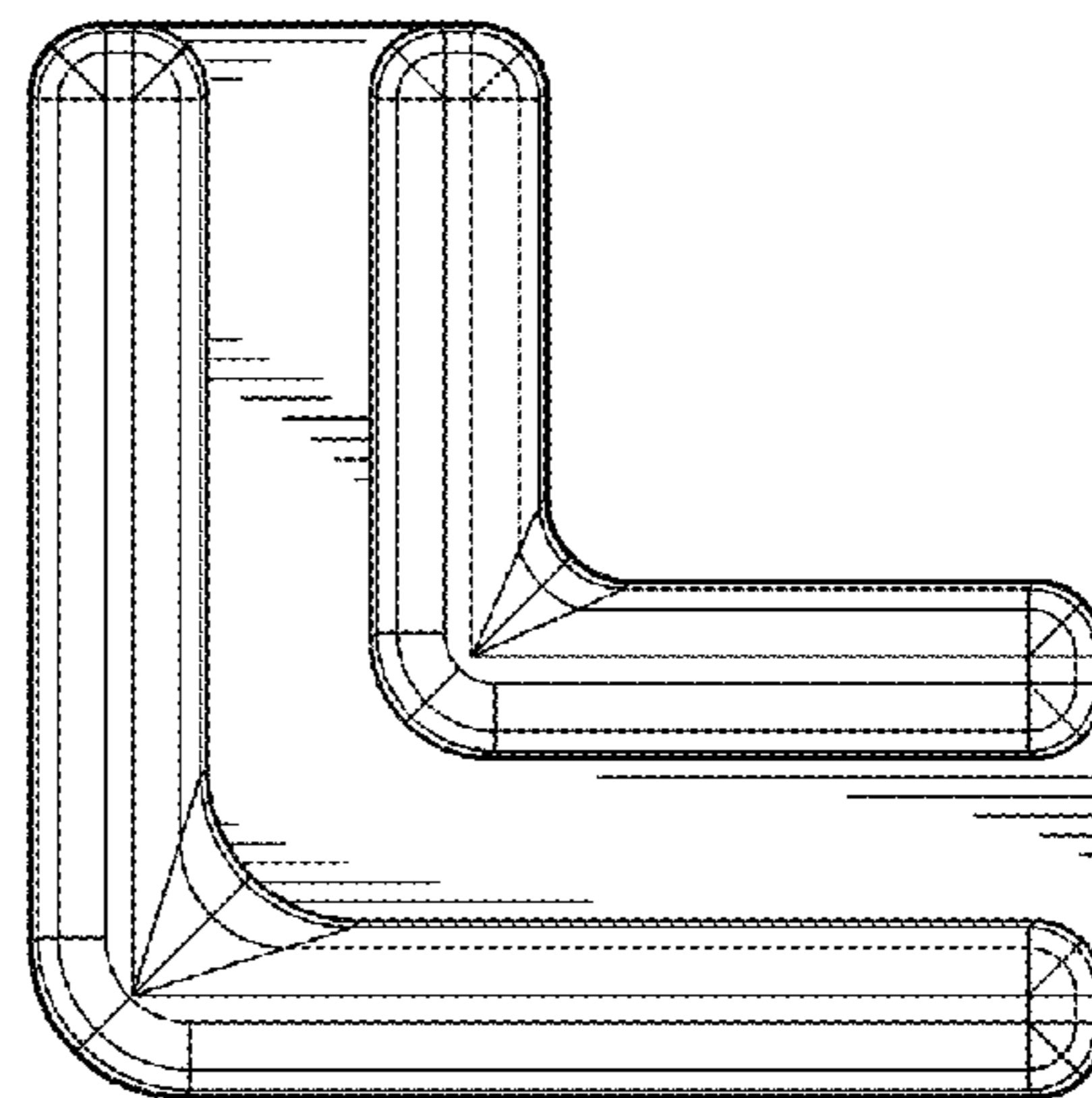


FIG. 4

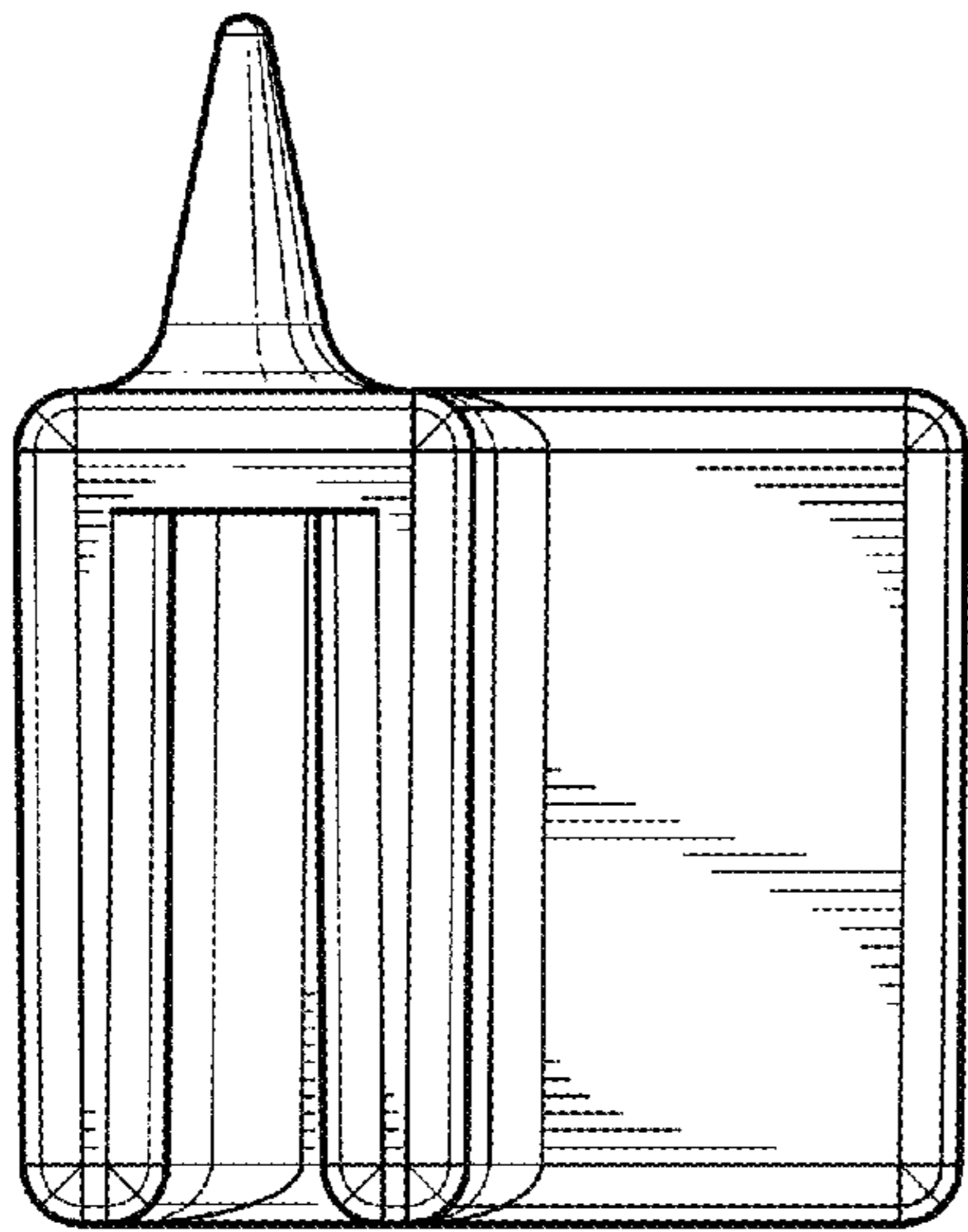


FIG. 5

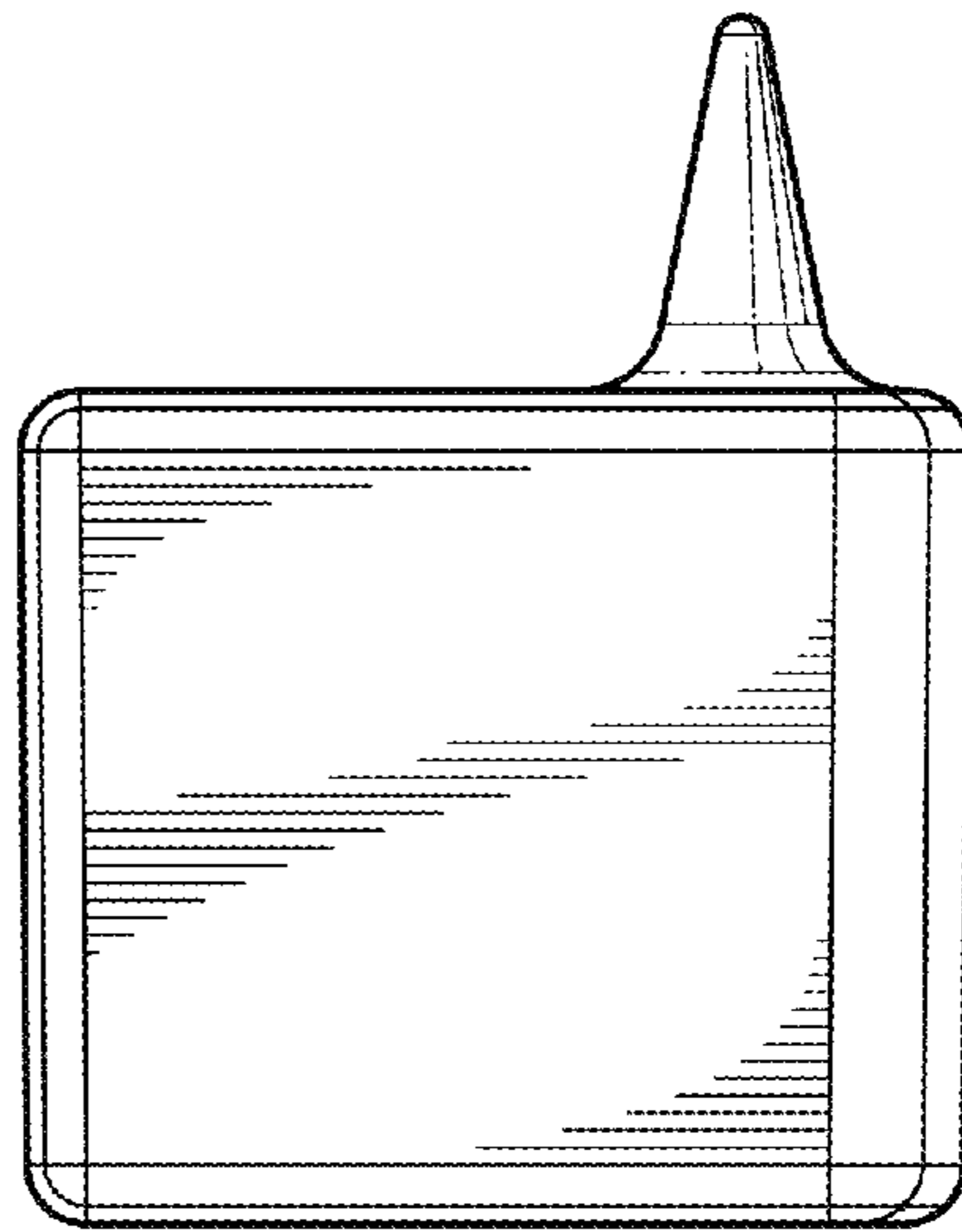


FIG. 6

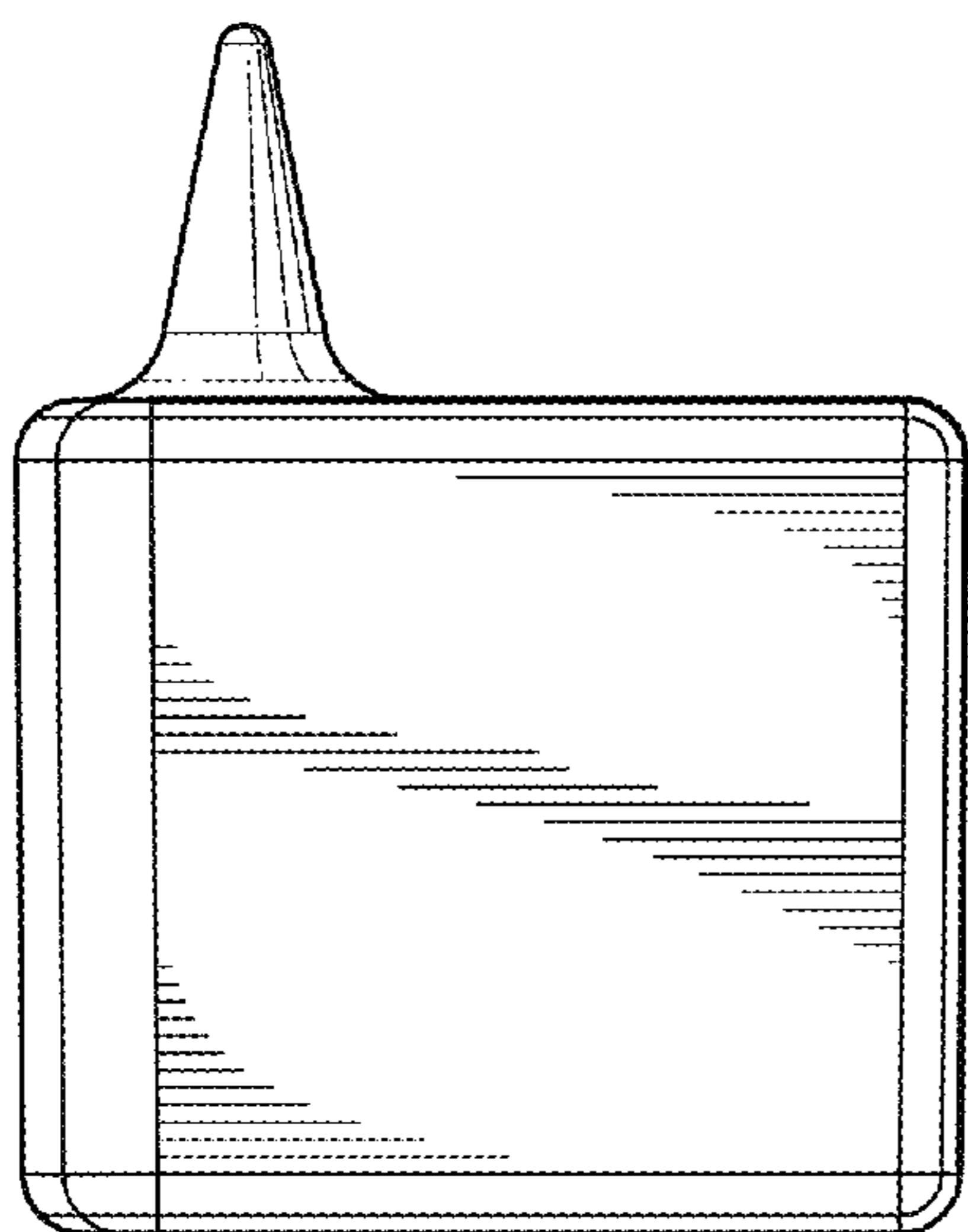


FIG. 7

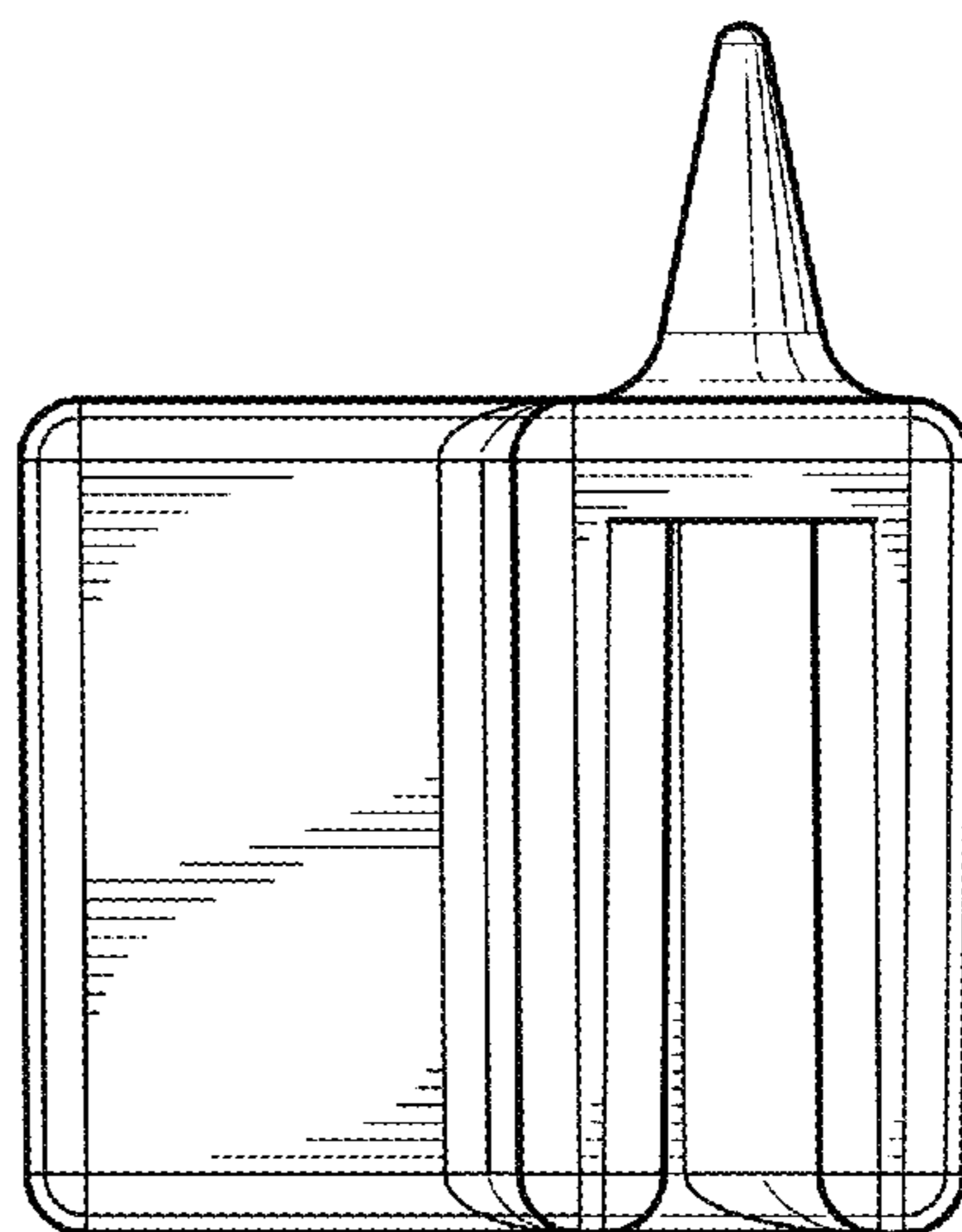


FIG. 8