



US00D680885S

(12) **United States Design Patent**
Mille

(10) **Patent No.:** **US D680,885 S**
(45) **Date of Patent:** **** Apr. 30, 2013**

(54) **WATCH**

(75) **Inventor:** **Richard Mille, Moulins (FR)**

(73) **Assignee:** **Turlen Holding SA, Soyhieres (CH)**

(**) **Term:** **14 Years**

(21) **Appl. No.:** **29/423,908**

(22) **Filed:** **Jun. 6, 2012**

(30) **Foreign Application Priority Data**

Dec. 6, 2011 (WO) DM/077 247

(51) **LOC (9) Cl.** **10-02**

(52) **U.S. Cl.**
USPC **D10/38**

(58) **Field of Classification Search** D10/30-39,
D10/122-132; 368/276, 281, 282, 223, 228,
368/232, 308, 319, 169-178, 124-132
See application file for complete search history.

(56) **References Cited**

U.S. PATENT DOCUMENTS

D229,213	S	*	11/1973	Sasaki	D10/38
D456,274	S	*	4/2002	Mille	D10/30
6,826,122	B2	*	11/2004	Zaugg	368/28
D505,342	S	*	5/2005	Hayek	D10/39
7,188,995	B2	*	3/2007	Besse et al.	368/127
D546,208	S	*	7/2007	Sirmakes	D10/39
D547,211	S	*	7/2007	Dias	D10/39
D559,131	S	*	1/2008	Laucella	D10/39
D568,180	S	*	5/2008	Laucella	D10/39

D578,022	S	*	10/2008	Salemi	D10/32
D606,888	S	*	12/2009	Mille	D10/38
7,857,501	B2	*	12/2010	Salathe	368/127
D636,692	S	*	4/2011	Pospieszny et al.	D10/129
D650,708	S	*	12/2011	Laucella	D10/39
D658,514	S	*	5/2012	Mille	D10/39
D658,515	S	*	5/2012	Mille	D10/39
D658,516	S	*	5/2012	Mille	D10/39
D664,047	S	*	7/2012	Mille	D10/39
8,328,413	B2	*	12/2012	Lehot et al.	368/124
2006/0221775	A1	*	10/2006	Zaugg	368/127

* cited by examiner

Primary Examiner — Lucy Lieberman

(74) *Attorney, Agent, or Firm* — Donald J. Ranft; Collen IP

(57) **CLAIM**

The ornamental design for a watch, as shown and described.

DESCRIPTION

FIG. 1 is a front right perspective view of a watch showing our new design;

FIG. 2 is a front left perspective view thereof;

FIG. 3 is a rear left perspective view thereof;

FIG. 4 is a rear right perspective view thereof;

FIG. 5 is a right side view thereof;

FIG. 6 is a left side view thereof;

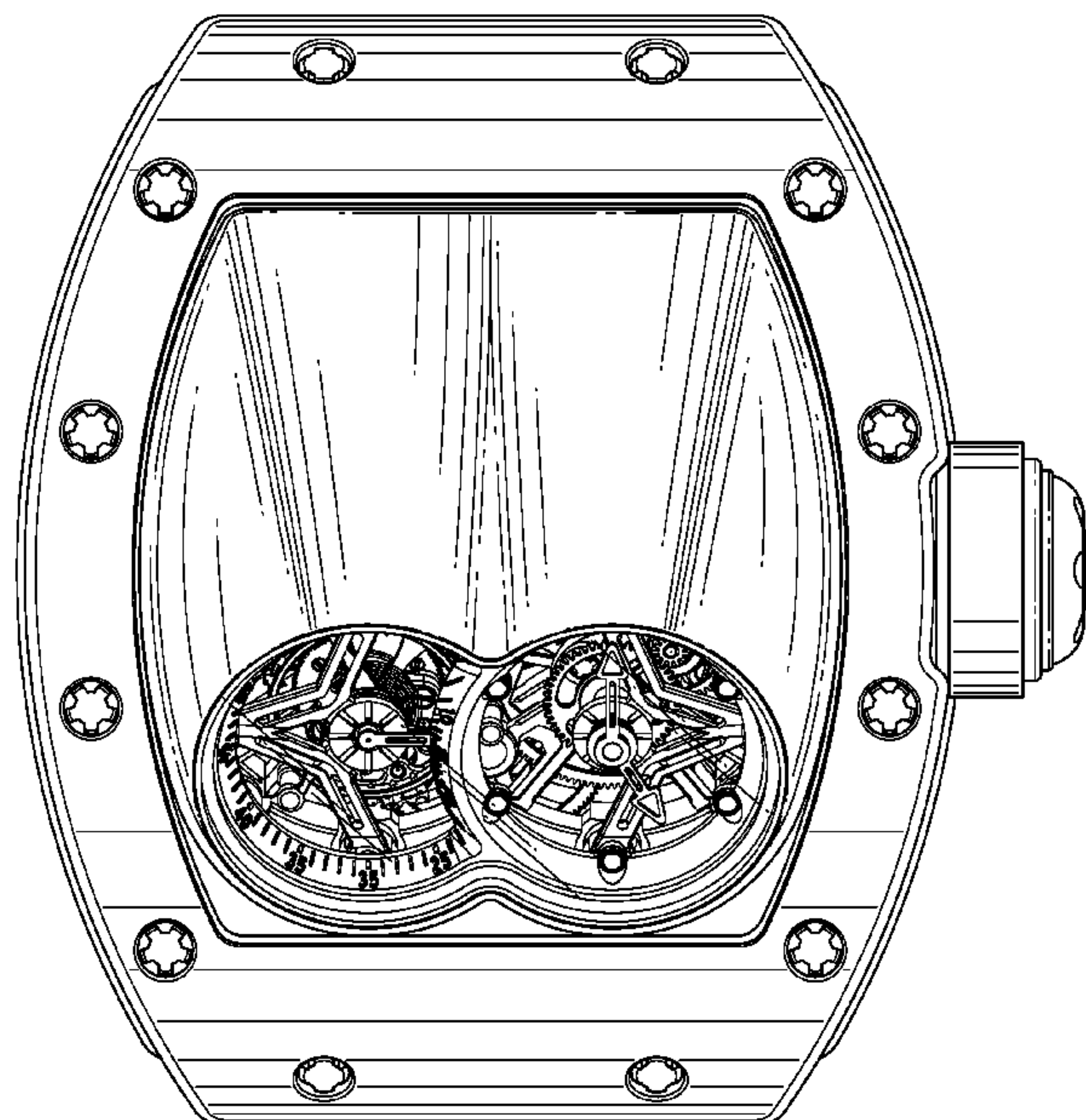
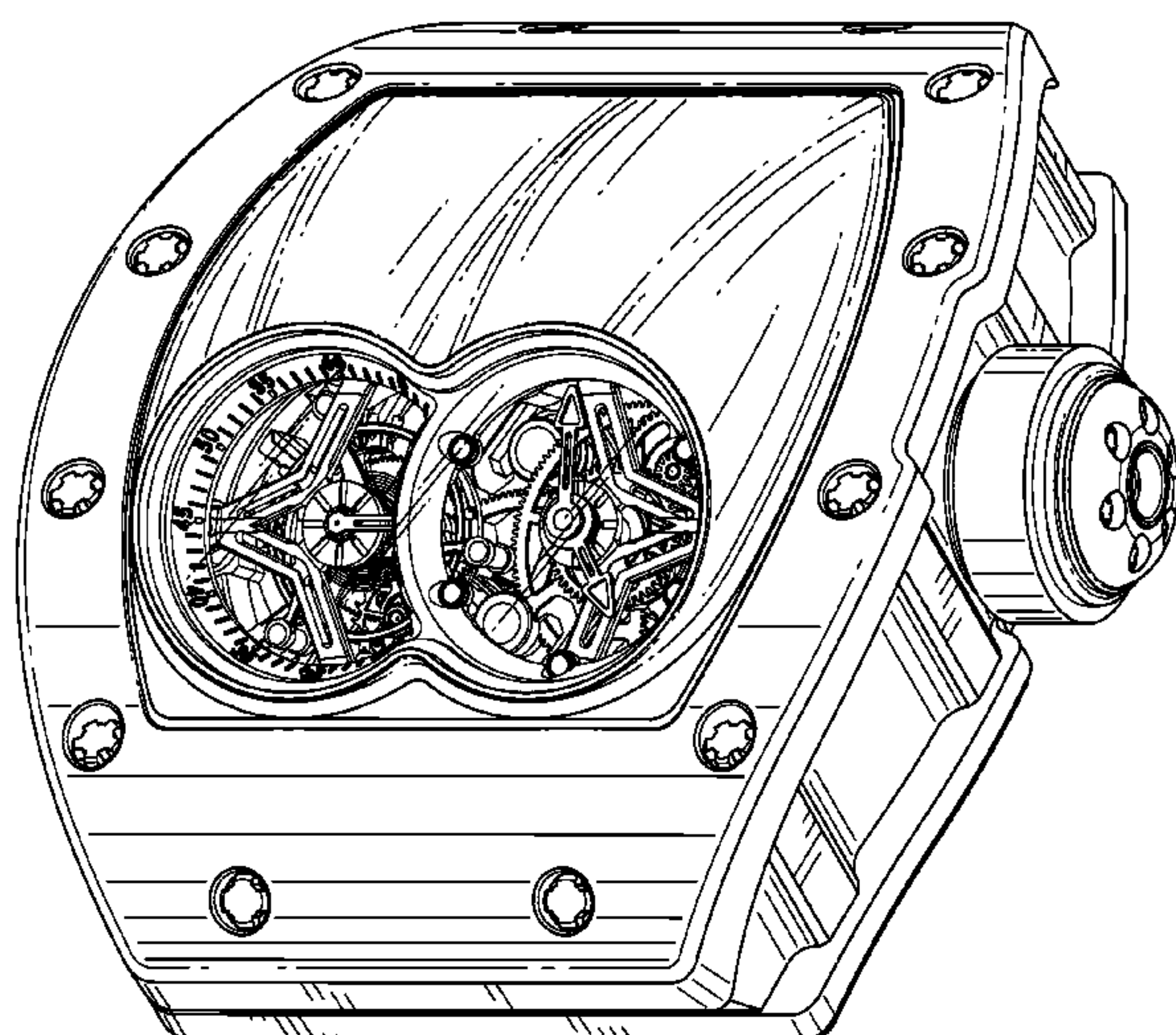
FIG. 7 is a bottom view thereof;

FIG. 8 is a top view thereof;

FIG. 9 is a front view thereof; and,

FIG. 10 is a rear view thereof.

1 Claim, 8 Drawing Sheets



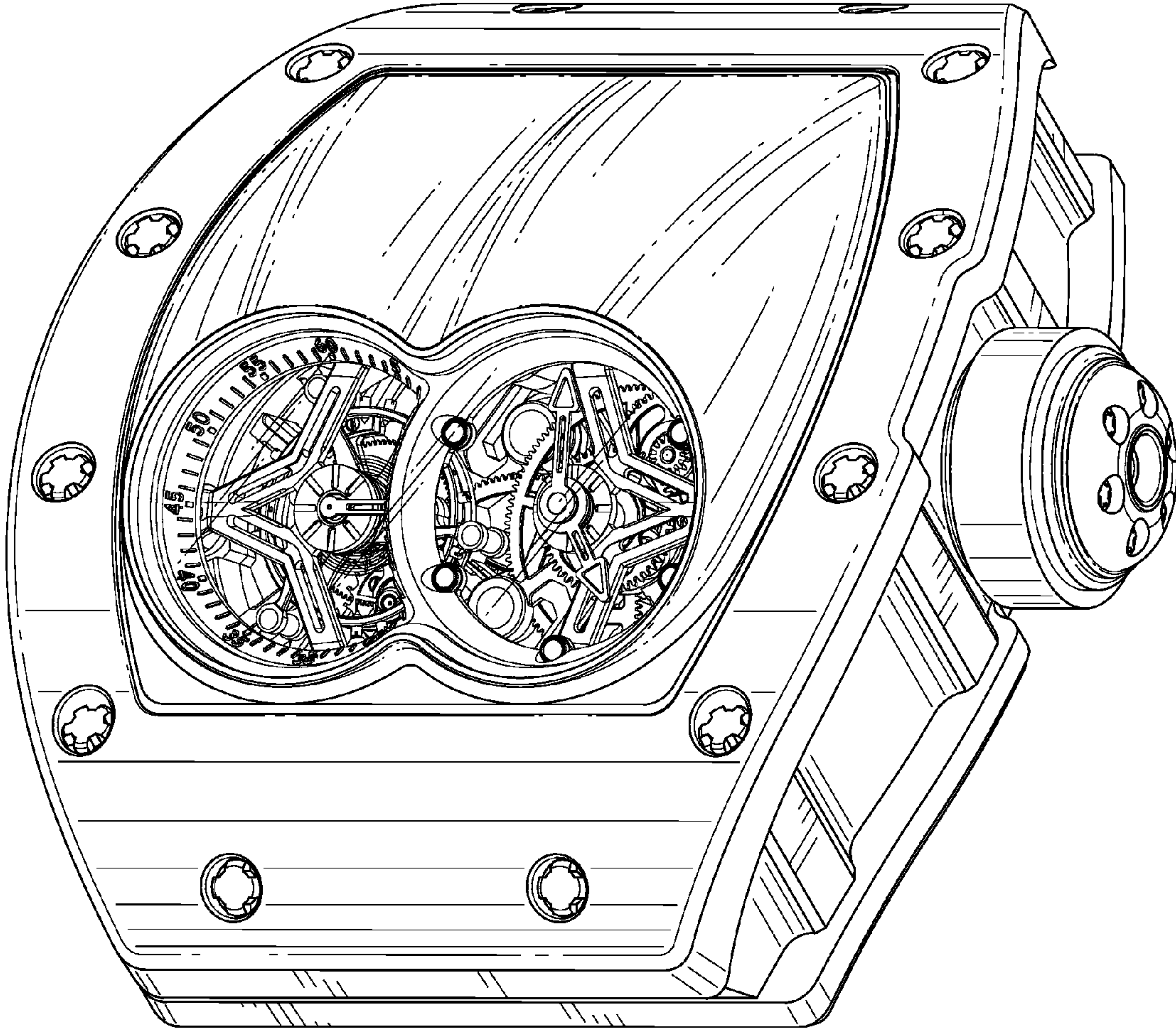


FIG. 1

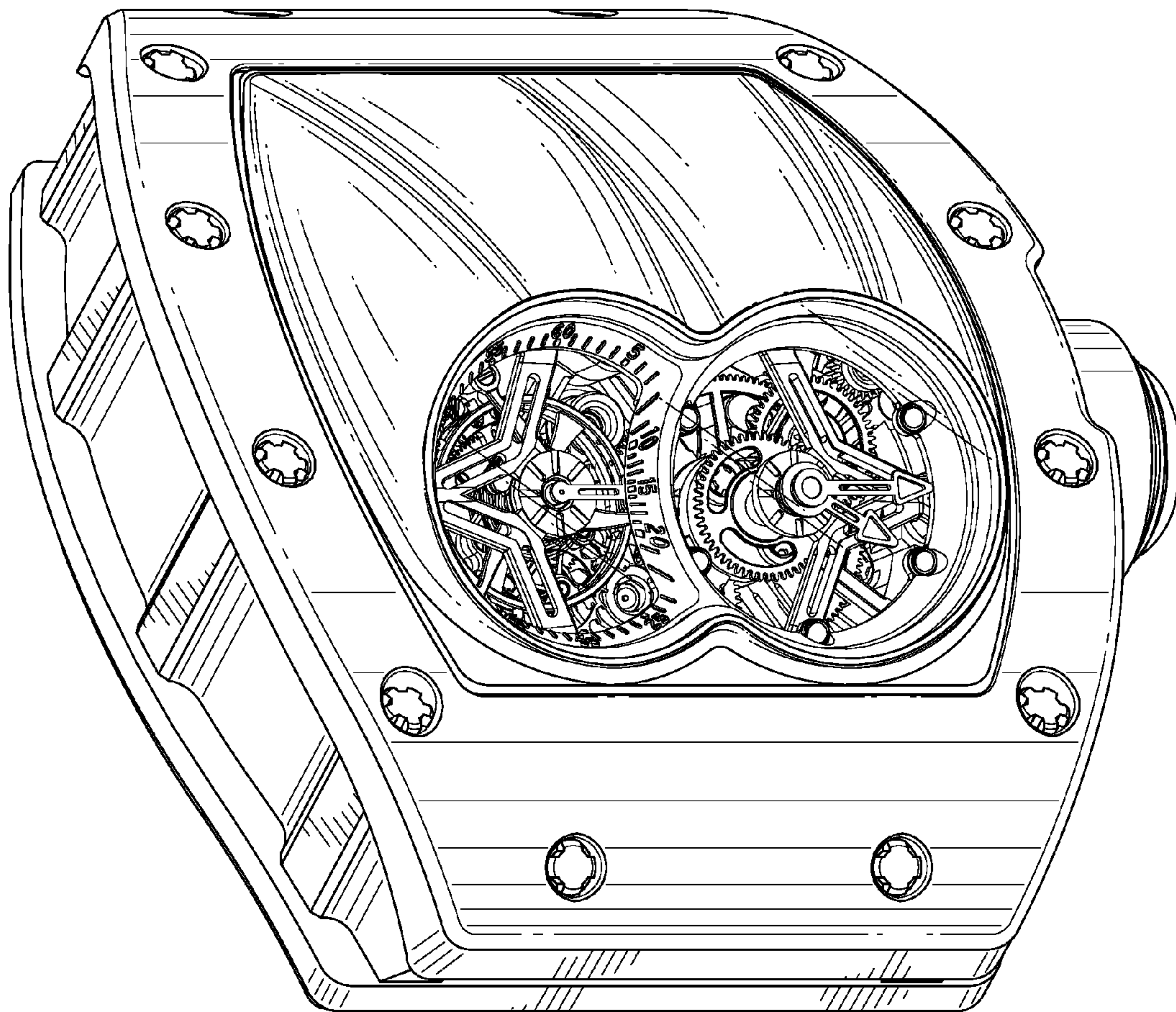


FIG. 2



FIG.3



FIG. 4

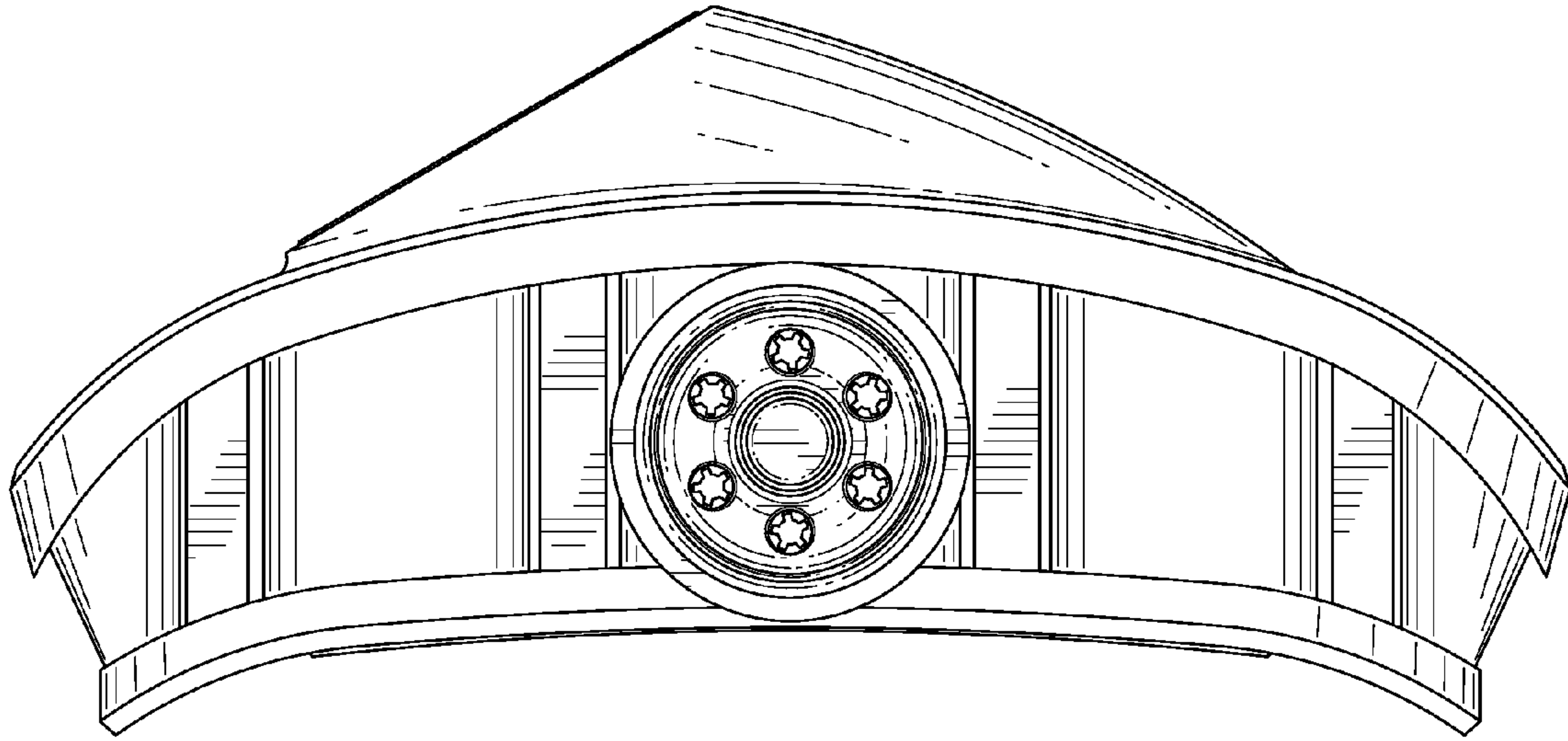


FIG. 5

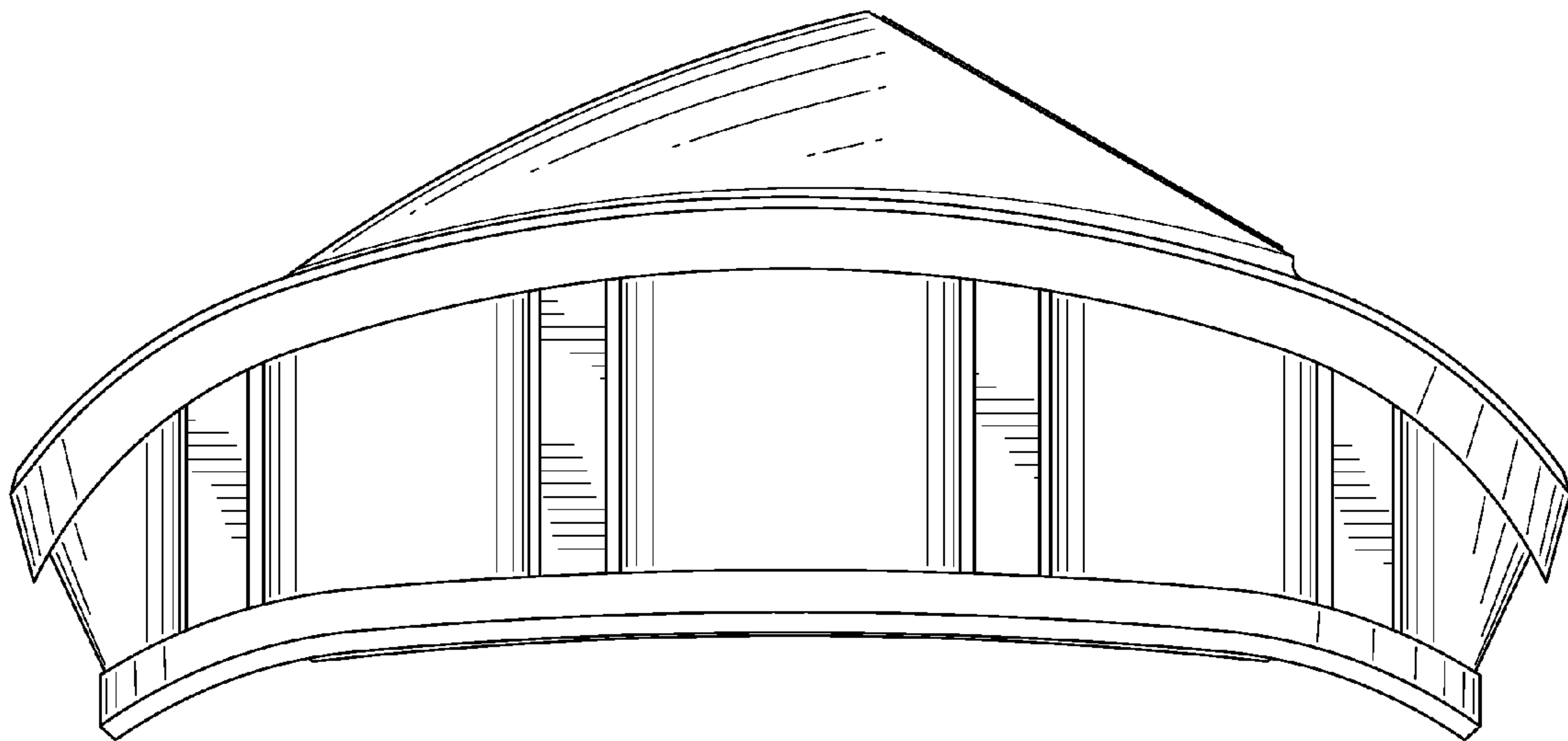


FIG. 6

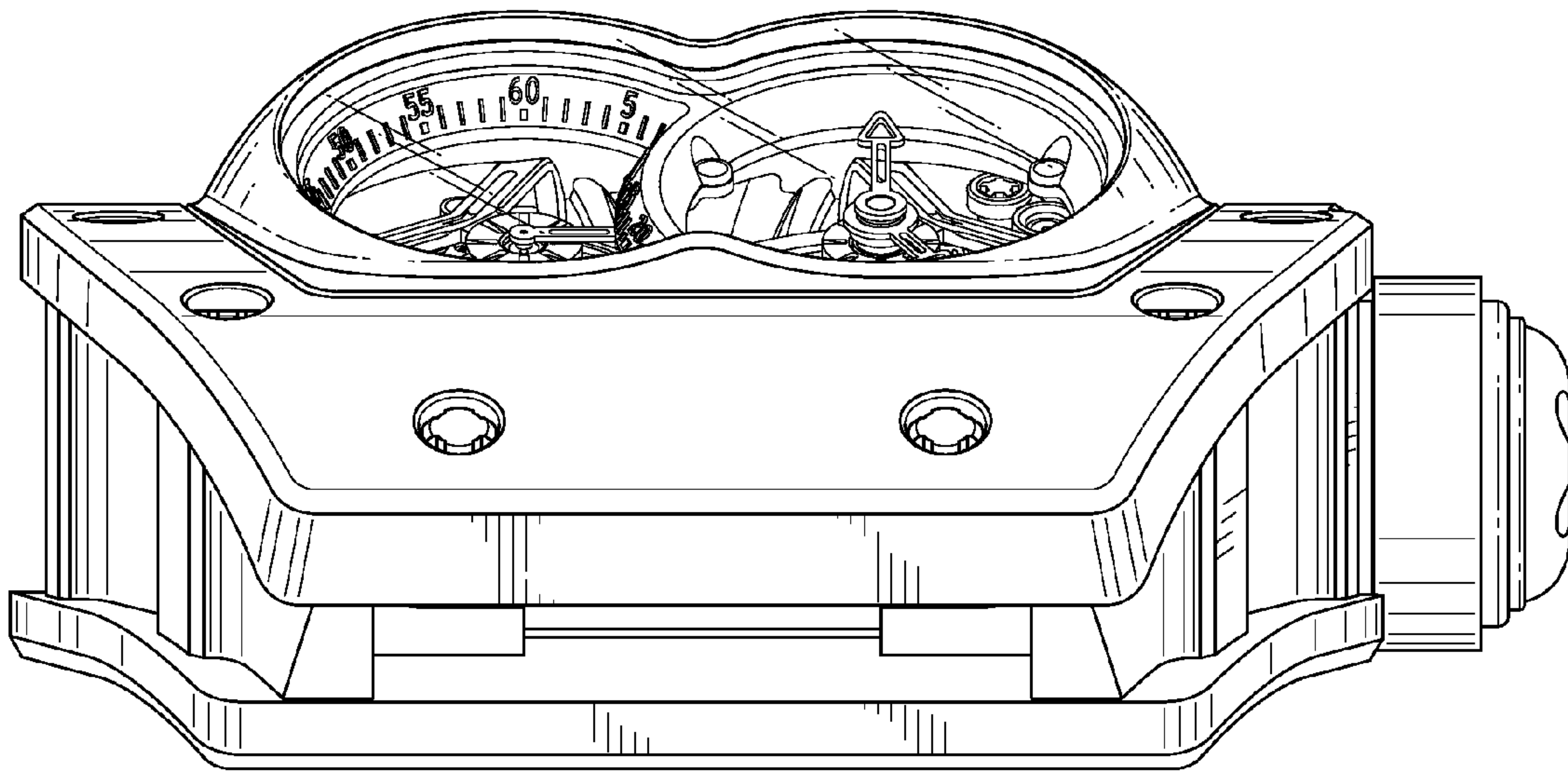


FIG. 7

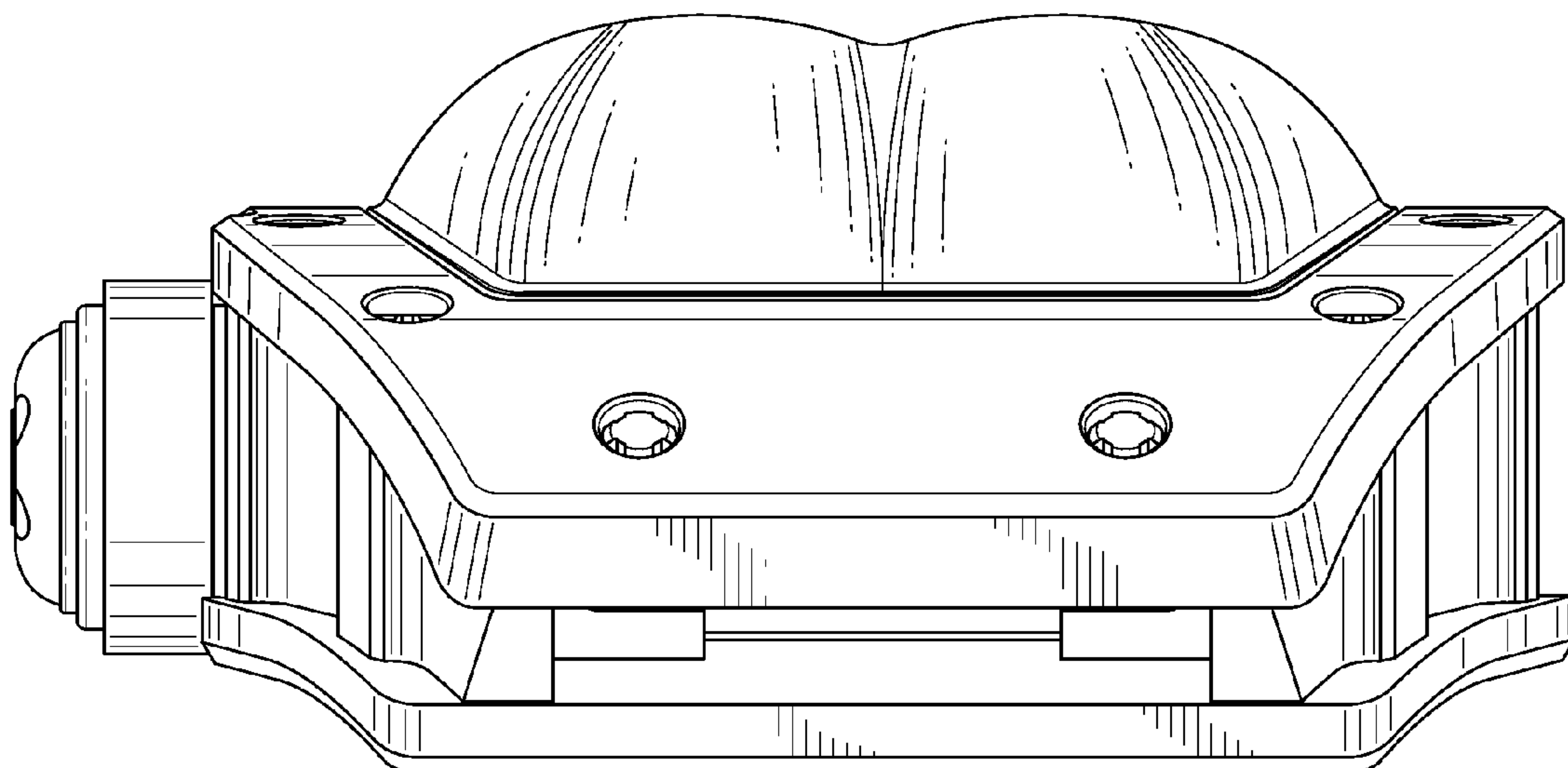


FIG. 8

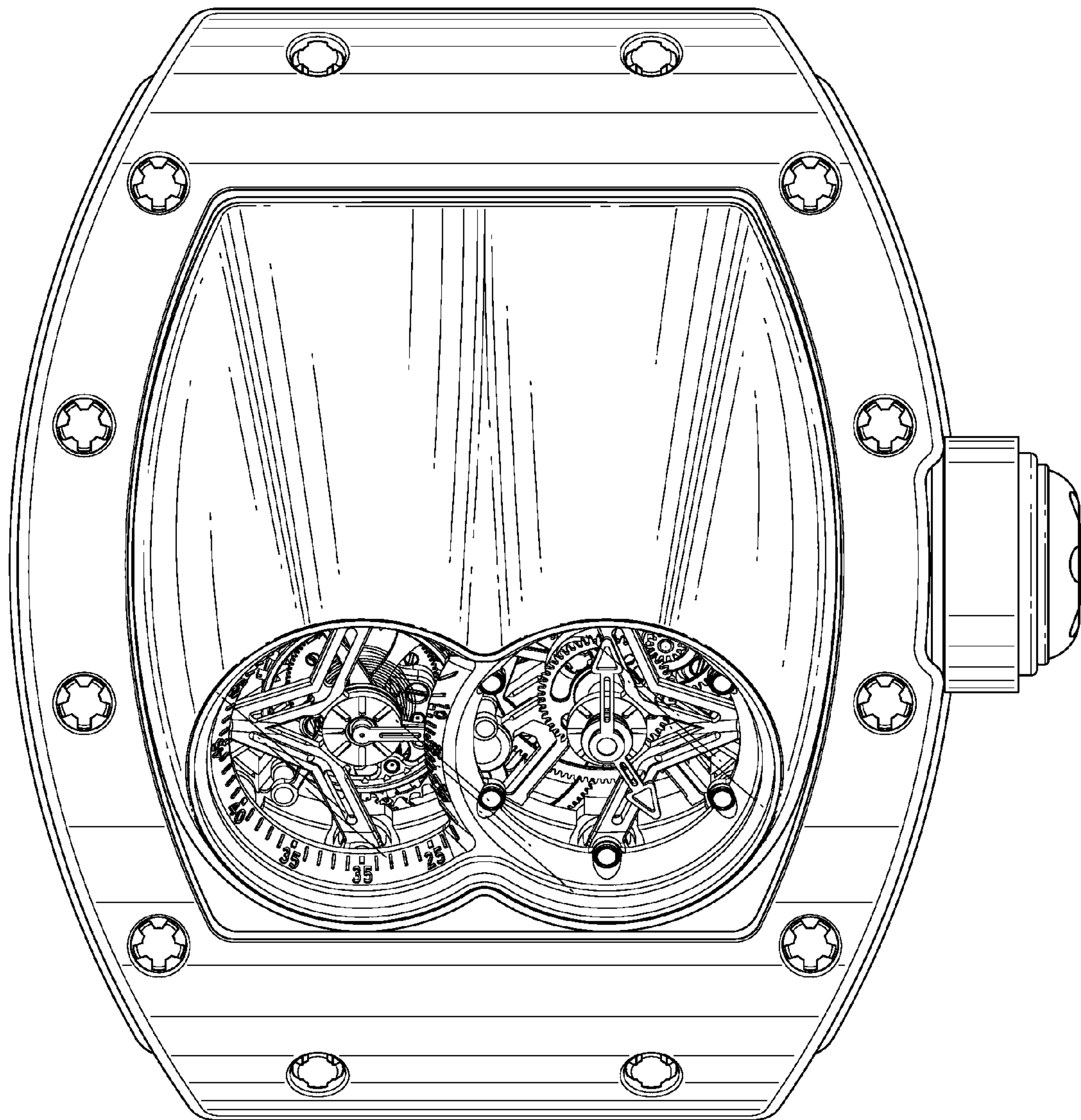


FIG.9



FIG. 10