



US00D680884S

(12) **United States Design Patent**
Bernard et al.

(10) **Patent No.:** **US D680,884 S**
(45) **Date of Patent:** **** Apr. 30, 2013**

(54) **WRISTWATCH**

(75) Inventors: **Julien Bernard**, La Neuveville (CH);
Christophe Robert, Le Locle (CH)

(73) Assignee: **Graham SA**, La Chaux-de-Fonds (CH)

(**) Term: **14 Years**

(21) Appl. No.: **29/423,754**

(22) Filed: **Jun. 5, 2012**

(30) **Foreign Application Priority Data**

Mar. 6, 2012 (CH) 138 678

(51) **LOC (9) Cl.** **10-02**

(52) **U.S. Cl.**
USPC **D10/32**

(58) **Field of Classification Search** D10/30-39,
D10/122-132; 368/276, 281, 282, 223, 228,
368/232, 288-290

See application file for complete search history.

(56) **References Cited**

U.S. PATENT DOCUMENTS

| | | | | | |
|-----------|------|---------|----------------|-------|---------|
| 4,364,669 | A * | 12/1982 | Thoenig et al. | | 368/111 |
| D306,981 | S * | 4/1990 | Bettelini | | D11/3 |
| 5,119,349 | A * | 6/1992 | Muto et al. | | 368/157 |
| D379,320 | S * | 5/1997 | Campilan | | D10/128 |
| 6,200,019 | B1 * | 3/2001 | Latini | | 368/289 |
| 6,210,034 | B1 * | 4/2001 | Latini | | 368/289 |
| D506,936 | S * | 7/2005 | Takahashi | | D10/32 |

| | | | | | |
|----------|-----|---------|----------|-------|---------|
| D524,171 | S * | 7/2006 | Monachon | | D10/32 |
| D526,923 | S * | 8/2006 | Okaya | | D10/126 |
| D563,802 | S * | 3/2008 | Loth | | D10/39 |
| D574,263 | S * | 8/2008 | Loth | | D10/38 |
| D574,734 | S * | 8/2008 | Loth | | D10/38 |
| D585,308 | S * | 1/2009 | Loth | | D10/38 |
| D585,768 | S * | 2/2009 | Loth | | D10/39 |
| D586,238 | S * | 2/2009 | Loth | | D10/32 |
| D586,669 | S * | 2/2009 | Loth | | D10/39 |
| D591,179 | S * | 4/2009 | Loth | | D10/39 |
| D597,859 | S * | 8/2009 | Arpa | | D10/32 |
| D610,473 | S * | 2/2010 | Goodman | | D10/38 |
| D621,284 | S * | 8/2010 | Cerrato | | D10/38 |
| D658,518 | S * | 5/2012 | Behling | | D10/39 |
| D668,971 | S * | 10/2012 | Tedeschi | | D10/39 |

* cited by examiner

Primary Examiner — Lucy Lieberman

(74) *Attorney, Agent, or Firm* — Sughrue Mion, PLLC

(57) **CLAIM**

The ornamental design for a wristwatch, as shown and described.

DESCRIPTION

FIG. 1 is a perspective view of the front and right side of a wristwatch showing my new design;
FIG. 2 is a front elevational view thereof;
FIG. 3 is a rear elevational view thereof;
FIG. 4 is a left side elevational view thereof;
FIG. 5 is a right side elevational view thereof;
FIG. 6 is a top plan view thereof; and,
FIG. 7 is a bottom plan view thereof.

1 Claim, 7 Drawing Sheets

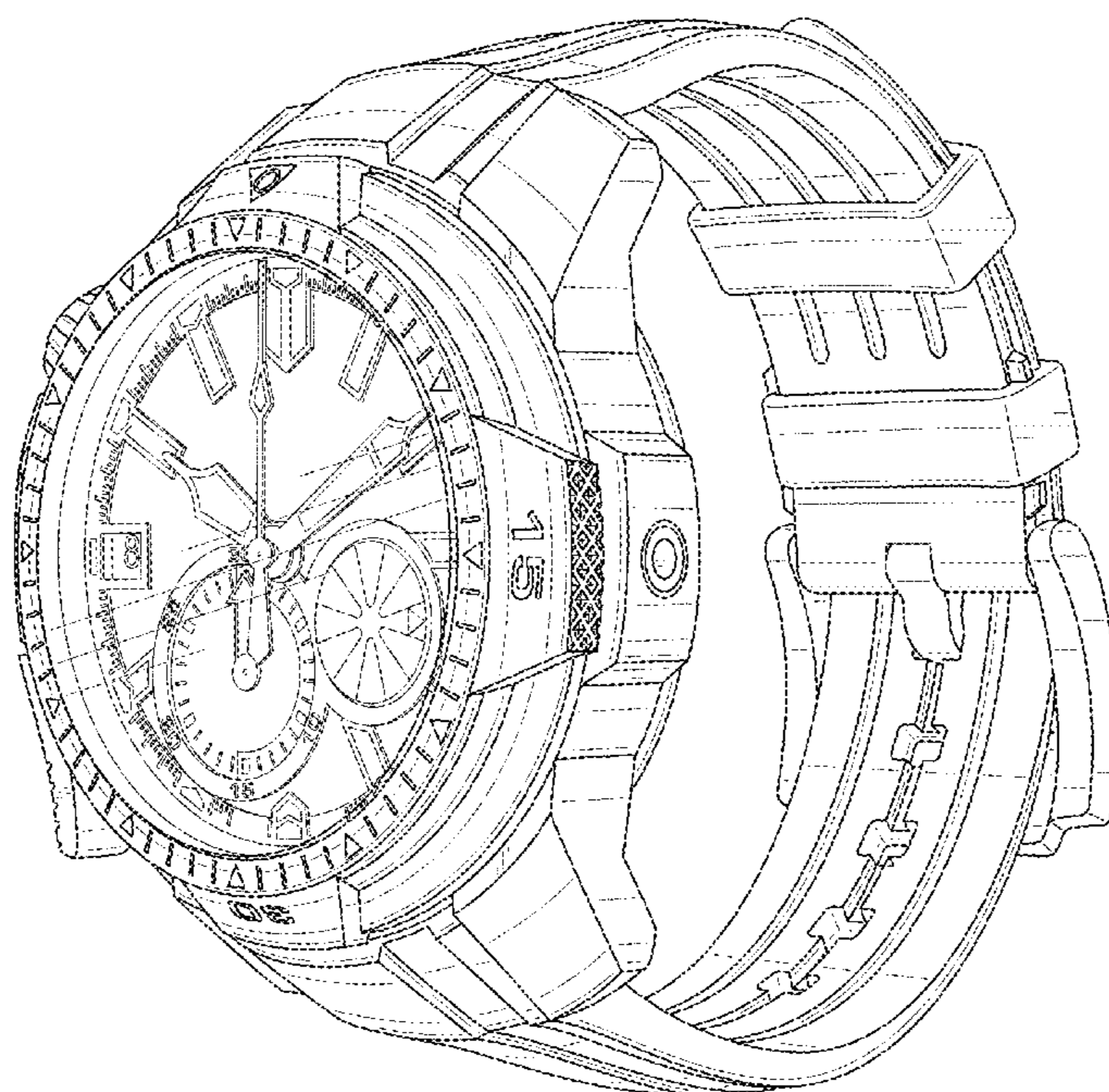




FIG. 1



FIG. 2

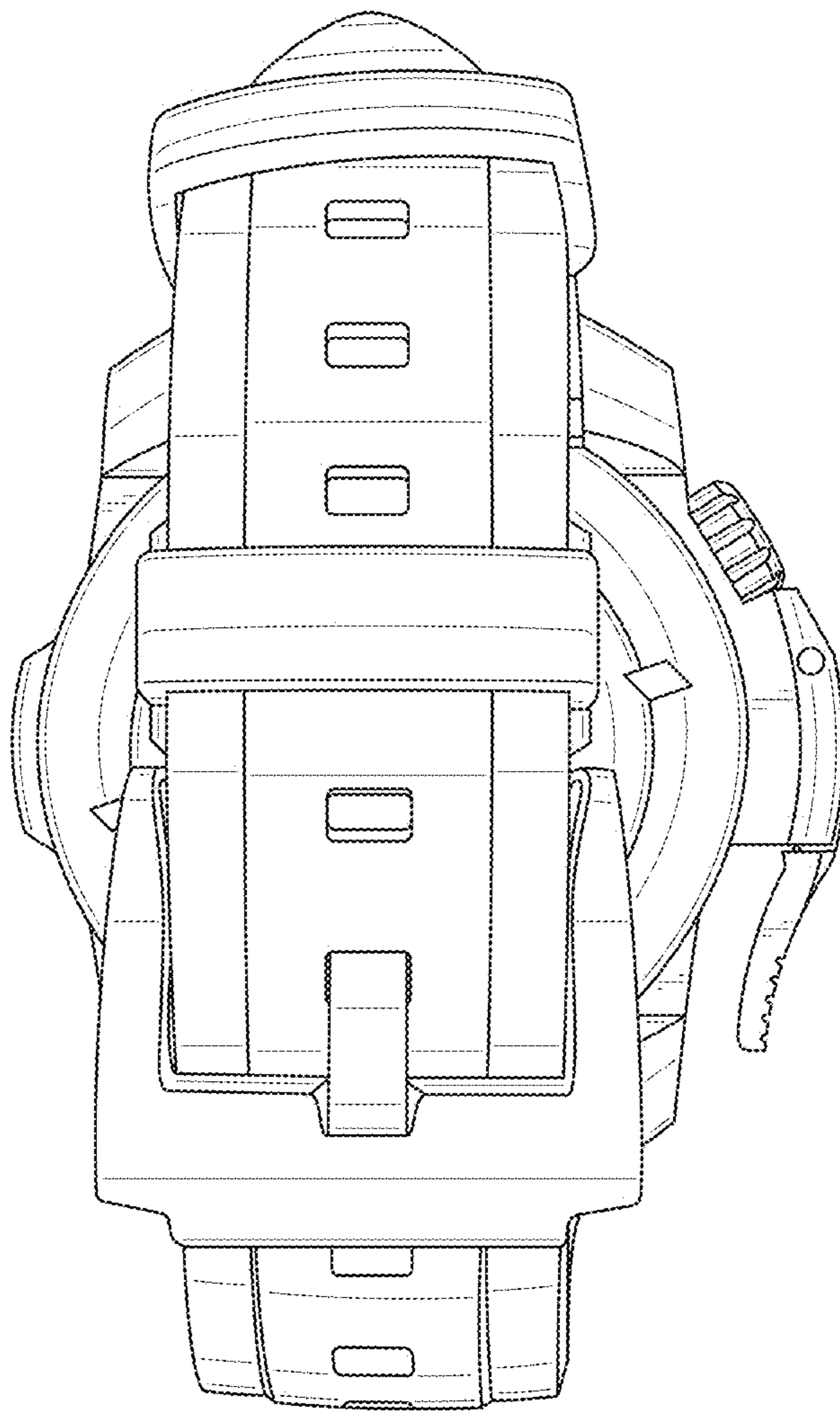


FIG. 3

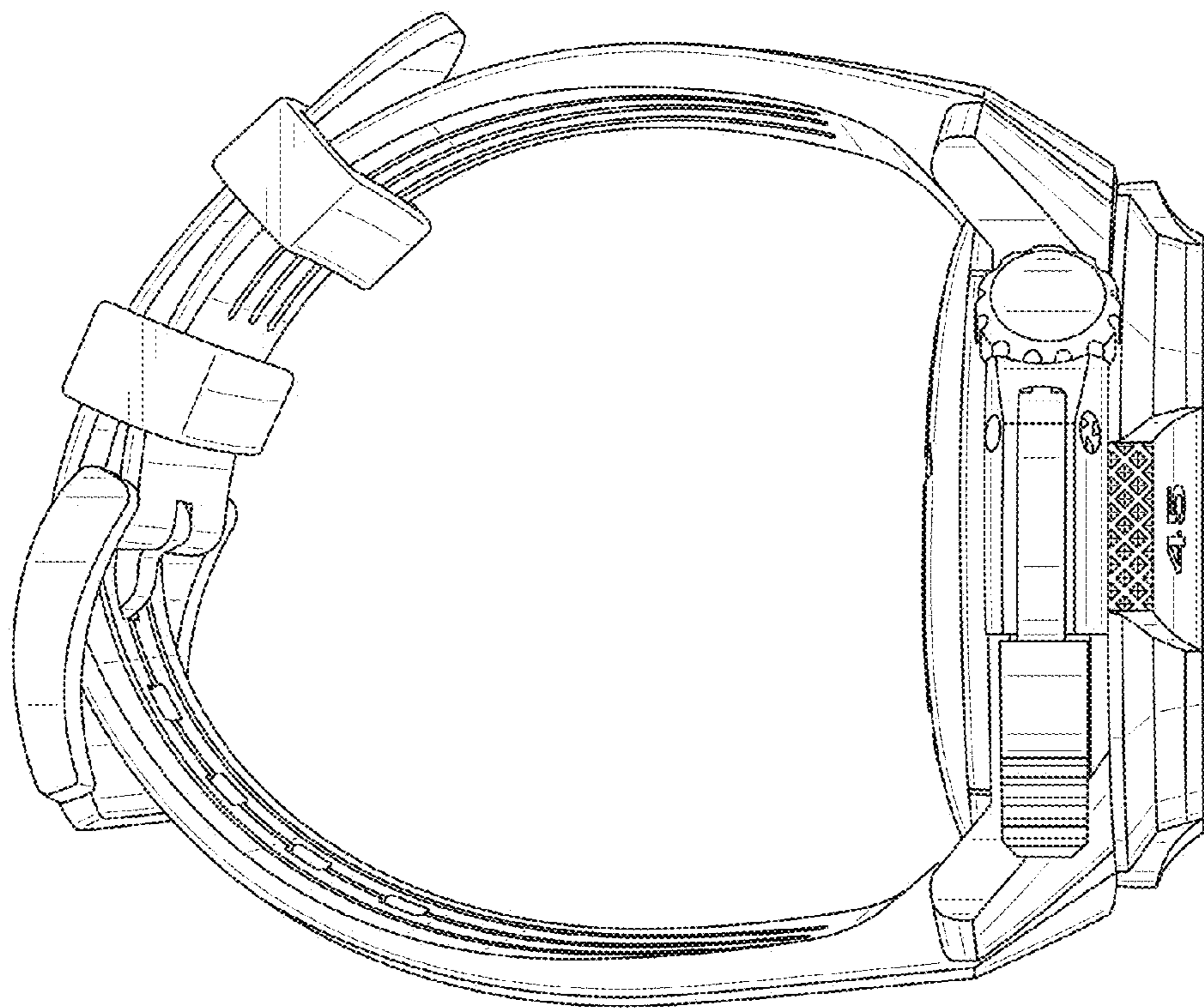


FIG. 4

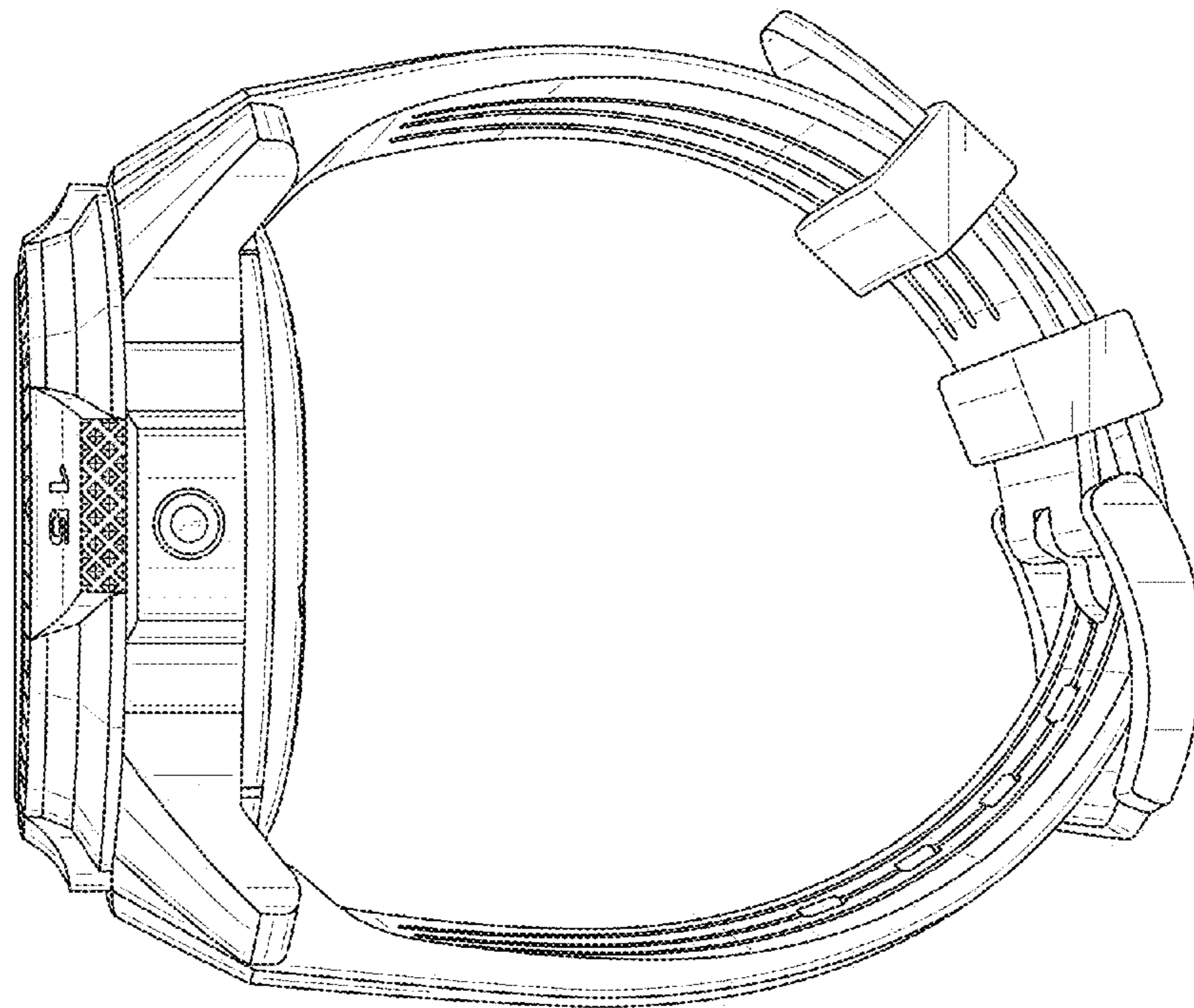


FIG. 5

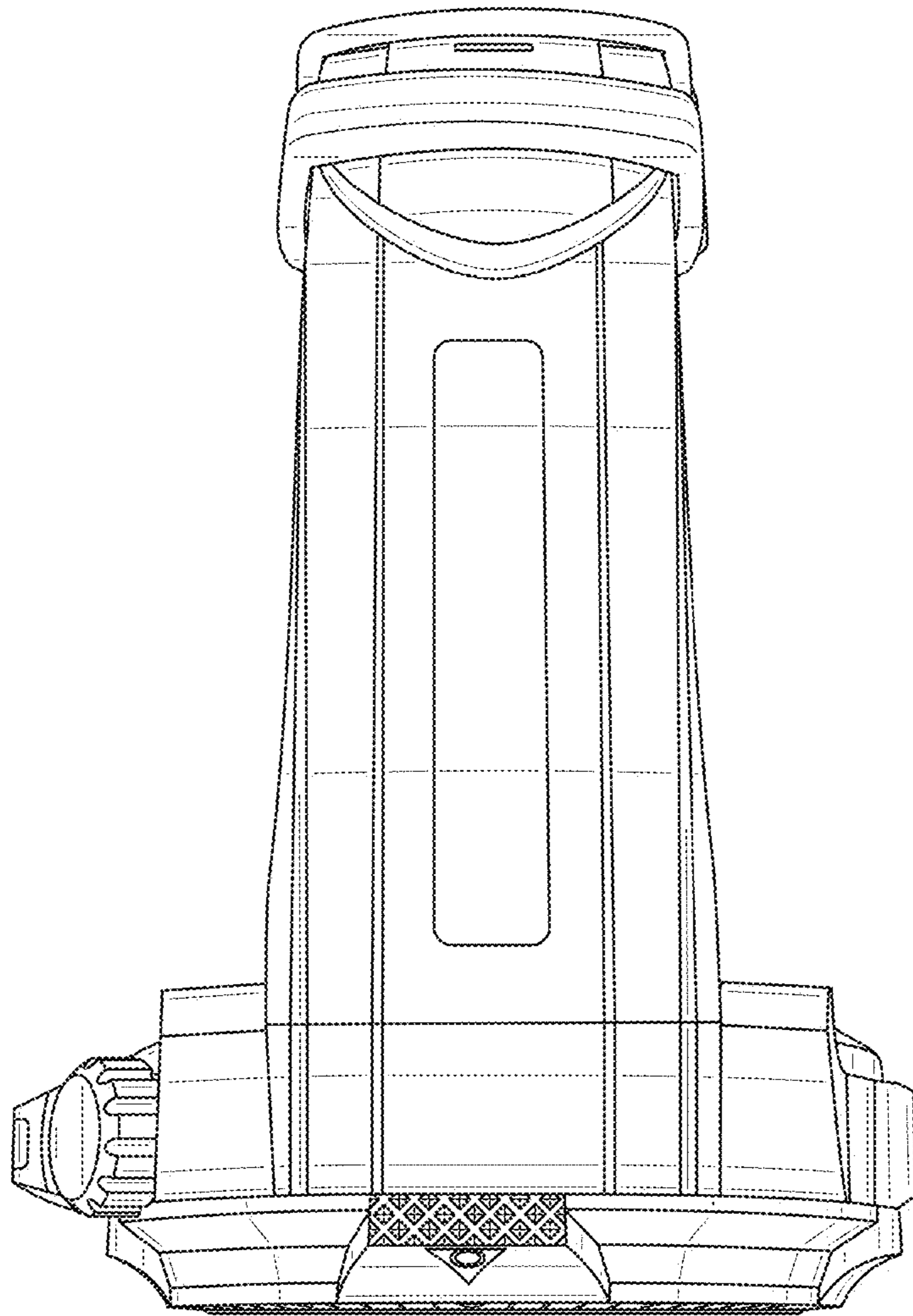


FIG. 6

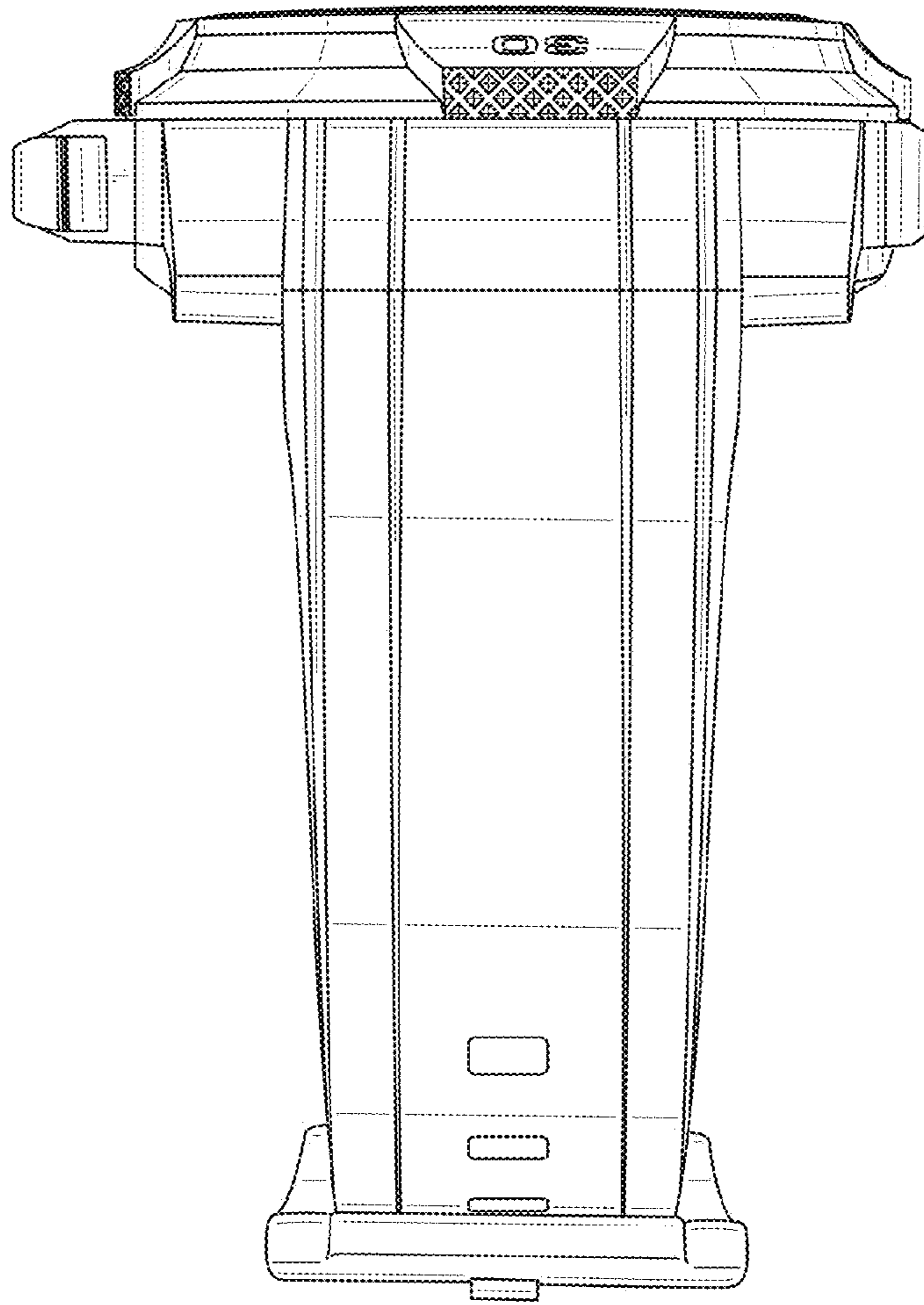


FIG. 7