



US00D680880S

(12) **United States Design Patent**
Johnson et al.

(10) **Patent No.:** **US D680,880 S**

(45) **Date of Patent:** **** Apr. 30, 2013**

(54) **FLEXIBLE STAND UP CONTAINER WITH CARAFE SHAPE**

(71) Applicant: **Printpack Illinois, Inc.**, Elgin, IL (US)

(72) Inventors: **Joel L. Johnson**, Stockbridge, GA (US);
Hannah Catherine Smith, Smyrna, GA (US);
David J. Kessler, Atlanta, GA (US)

(73) Assignee: **Printpack Illinois, Inc.**, Elgin, IL (US)

(**) Term: **14 Years**

(21) Appl. No.: **29/432,893**

(22) Filed: **Sep. 21, 2012**

(51) **LOC (9) Cl.** **09-05**

(52) **U.S. Cl.**
USPC **D9/709**

(58) **Field of Classification Search** D9/702-714,
D9/429-432, 447, 720; 383/80, 42, 906,
383/903, 901, 93, 122-126, 121.1, 103, 96,
383/200; D7/213, 601-602; 222/92, 81,
222/104-105, 107, 541.5, 529; 215/316;
493/52; D24/207, 118, 129; D3/202
See application file for complete search history.

(56) **References Cited**

U.S. PATENT DOCUMENTS

| | | | | |
|---------------|---------|----------------|-------|---------|
| D213,479 S * | 3/1969 | Williams | | D24/118 |
| D237,018 S * | 9/1975 | Betka et al. | | D24/118 |
| D243,121 S * | 1/1977 | Ralston et al. | | D24/118 |
| D271,805 S * | 12/1983 | Larkin et al. | | D24/118 |
| D272,762 S * | 2/1984 | Tanner, II | | D24/118 |
| D278,974 S | 5/1985 | Ray | | |
| D300,004 S | 2/1989 | Korey | | |
| D304,546 S | 11/1989 | Cattach | | |
| 5,307,955 A * | 5/1994 | Viegas | | 222/107 |
| D465,726 S | 11/2002 | Tet | | |
| D470,758 S | 2/2003 | Bakersmith | | |

| | | | | |
|--------------|---------|---------------|-------|--------|
| D478,504 S * | 8/2003 | Crozet et al. | | D9/708 |
| D505,540 S | 5/2005 | Lien | | |
| D512,648 S * | 12/2005 | Smith et al. | | D9/702 |
| D512,651 S | 12/2005 | Stefandl | | |
| D558,596 S | 1/2008 | Berman | | |
| D558,601 S | 1/2008 | Berman | | |
| D582,788 S | 12/2008 | Smith | | |

FOREIGN PATENT DOCUMENTS

WO 02090195 A2 11/2002

OTHER PUBLICATIONS

http://www.gsioutdoors.com/blog/detail/gsi_outdoors_new_wine_glass_gift_sets_totes_wine_carafe-_5_new_products/.
Loubser, Gill, Stand-Up-Pouches—Onwards and Upwards; Packaging and Print Media, www.packagingmag.co.za/index.php?option=com_content&view=article&id=154stand-up-pouches- (May 2010).

(Continued)

Primary Examiner — Caron D Veynar

Assistant Examiner — Abraham Bahta

(74) *Attorney, Agent, or Firm* — Sutherland Asbill & Brennan LLP

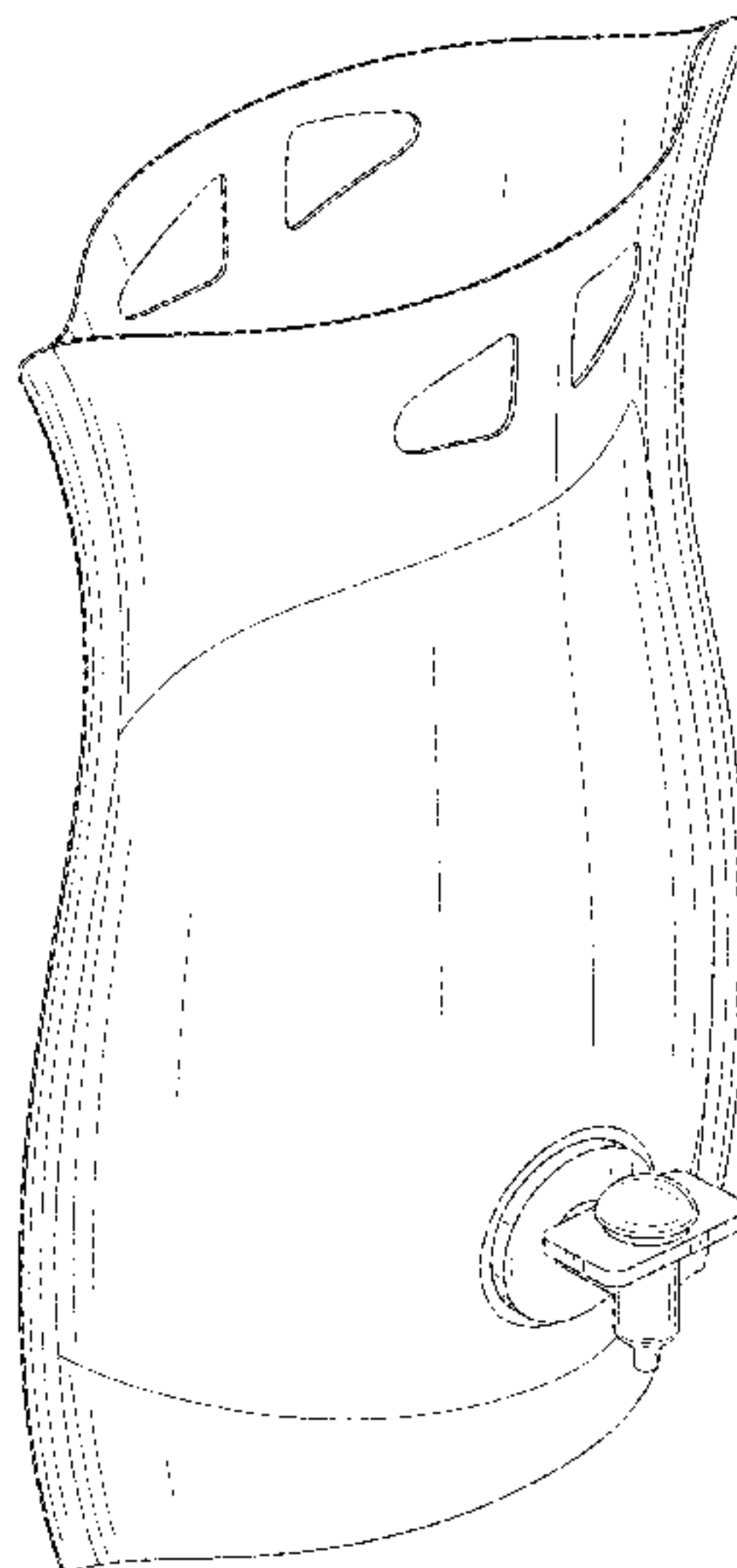
(57) **CLAIM**

The ornamental design for a flexible stand up container with a carafe-shape, as shown and described.

DESCRIPTION

FIG. 1 is a perspective view of a container with a carafe-shape showing our new design;
FIG. 2 is a front view thereof;
FIG. 3 is a back view thereof;
FIG. 4 is a side view thereof
FIG. 5 is another side view thereof;
FIG. 6 is a top view thereof; and,
FIG. 7 is a bottom view thereof.

1 Claim, 6 Drawing Sheets



OTHER PUBLICATIONS

Colman, Ben, Simply a Little Bit of Plastic, VR Beverage Packaging Jan. 2000, p. 20 (Jan. 2000).

Bag Instead of Barrel, Anuga Food Tec 2000, Halle 12.1/B006, VR Beverage Packaging Jan. 2000, p. 21 (Jan. 2000).

From Granule to Bottle, VR Beverage Packaging Jan. 2000, pp. 22-23 (Jan. 2000).

For Individual Filling, VR Beverage Packaging Jan. 2000, pp. 24-25 (Jan. 2000).

* cited by examiner

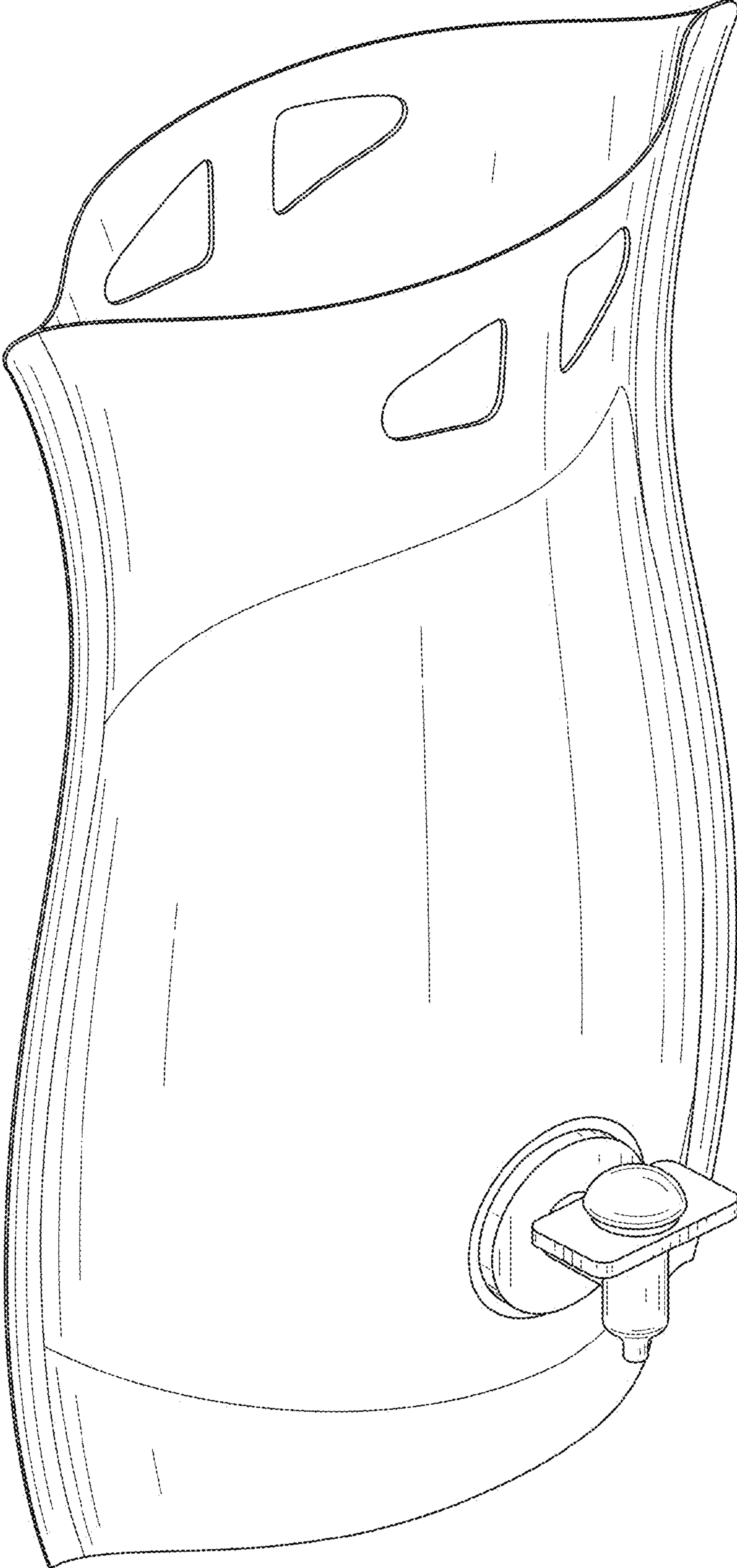


FIG. 1

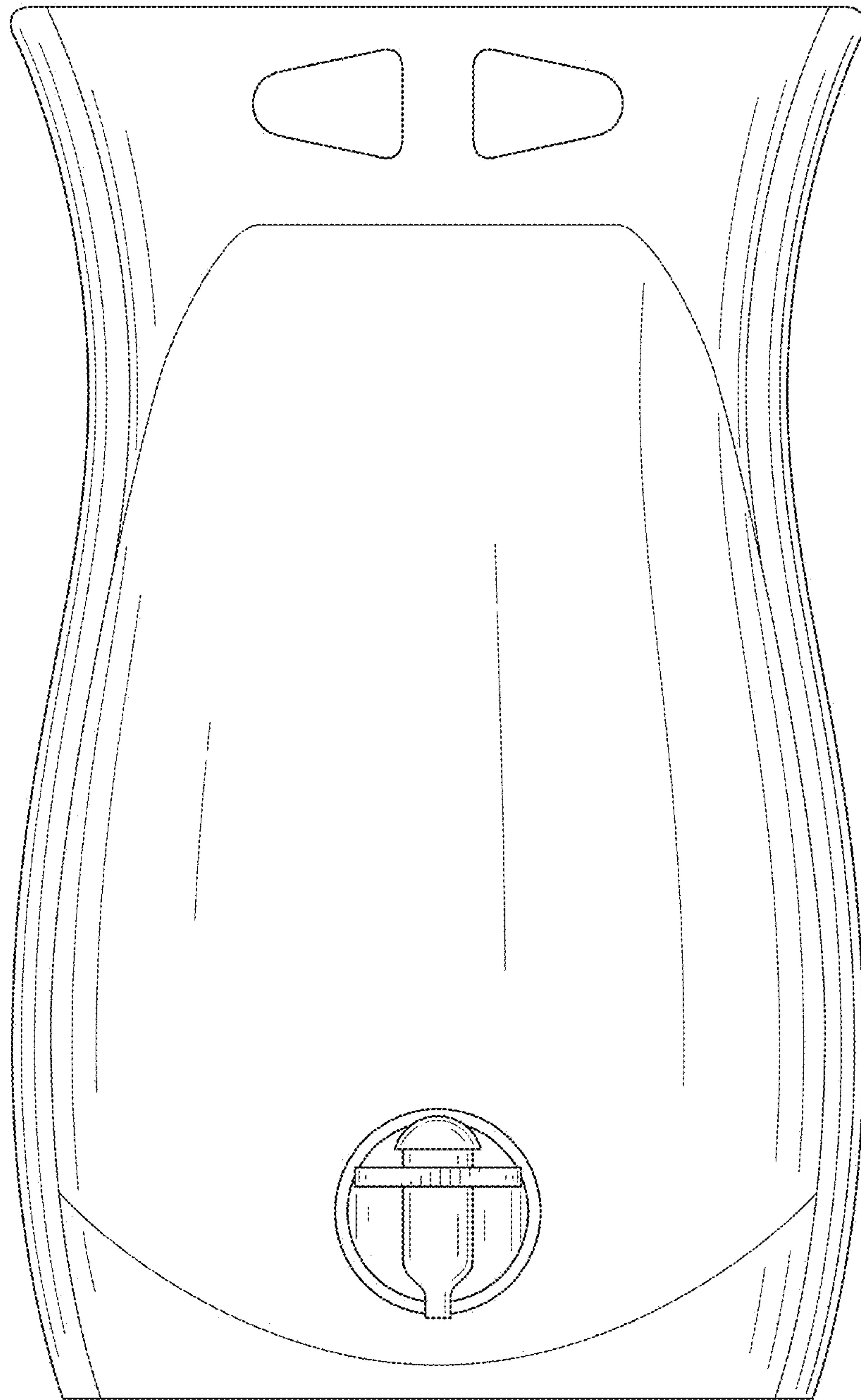


FIG. 2

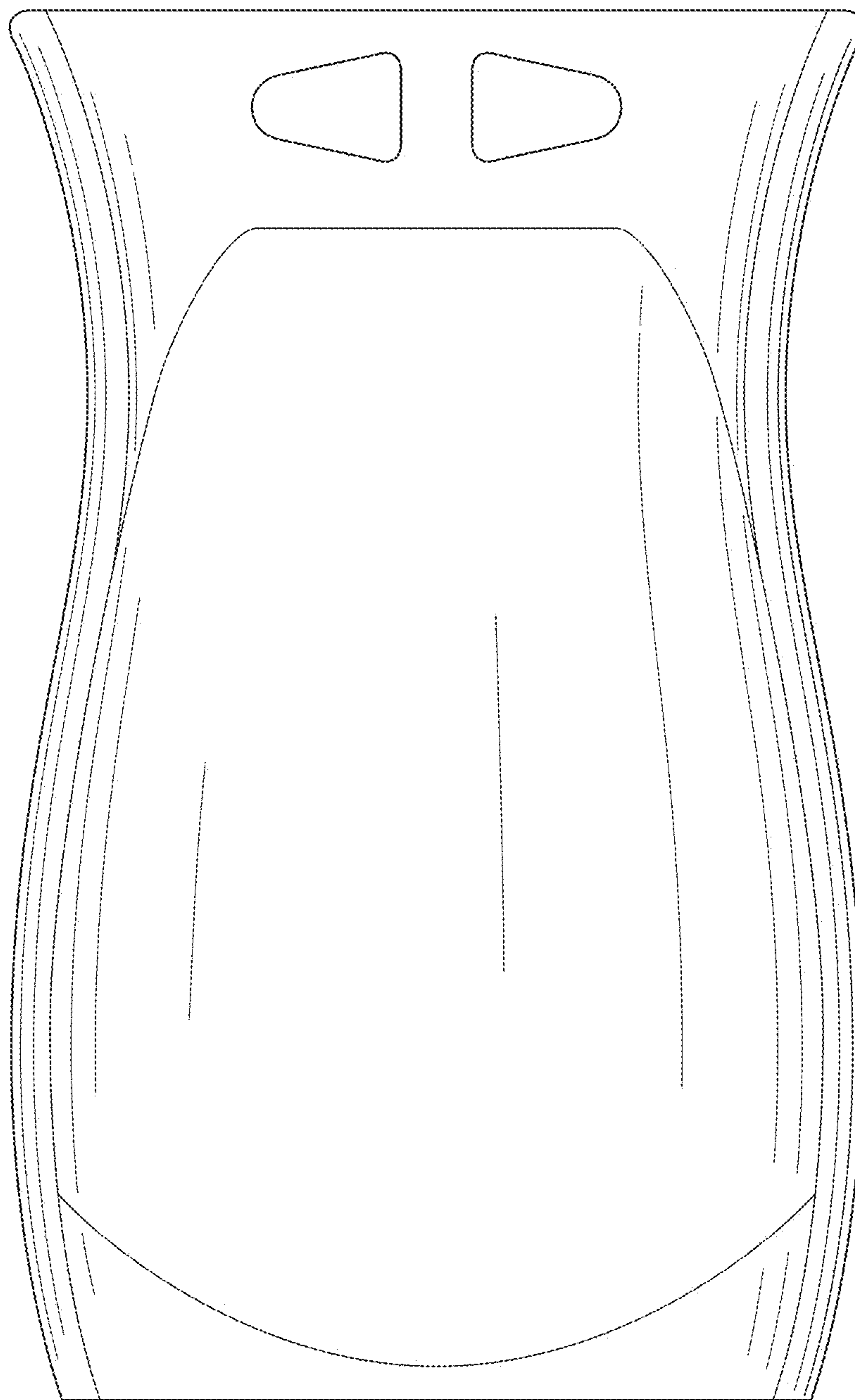


FIG. 3

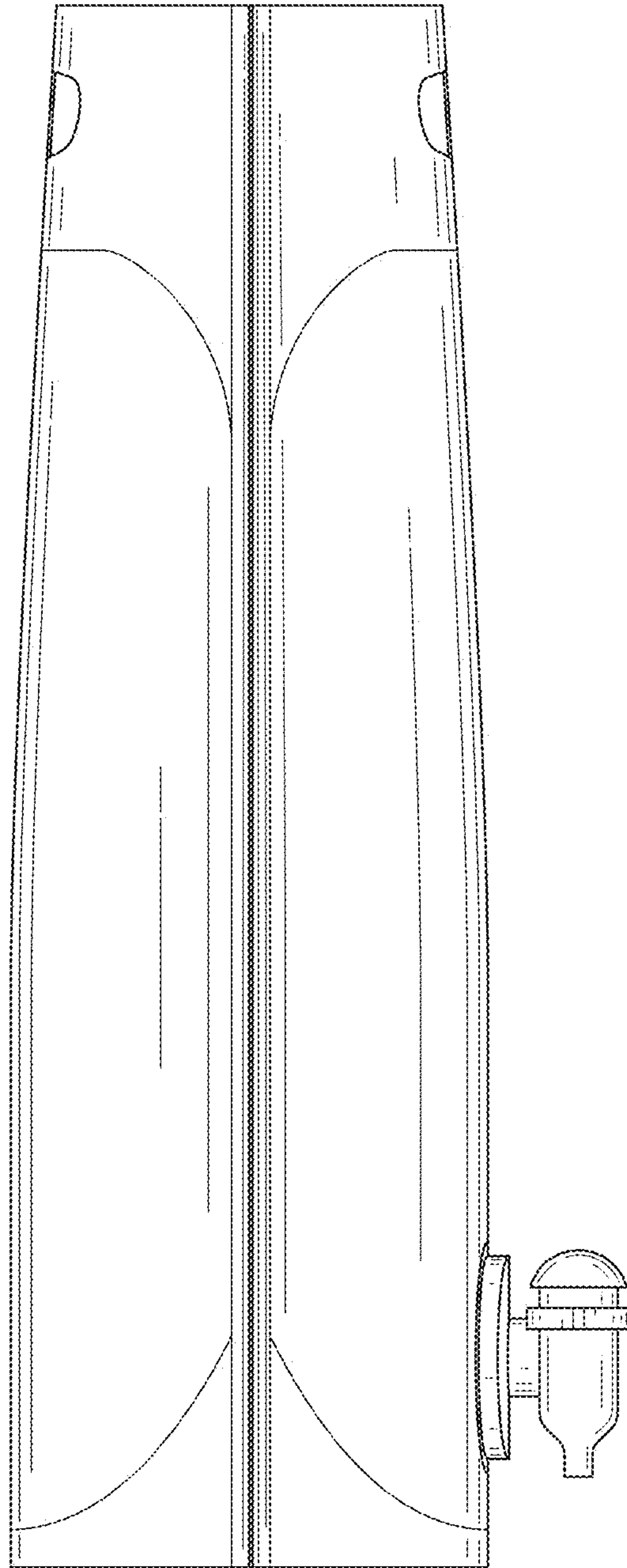


FIG. 4

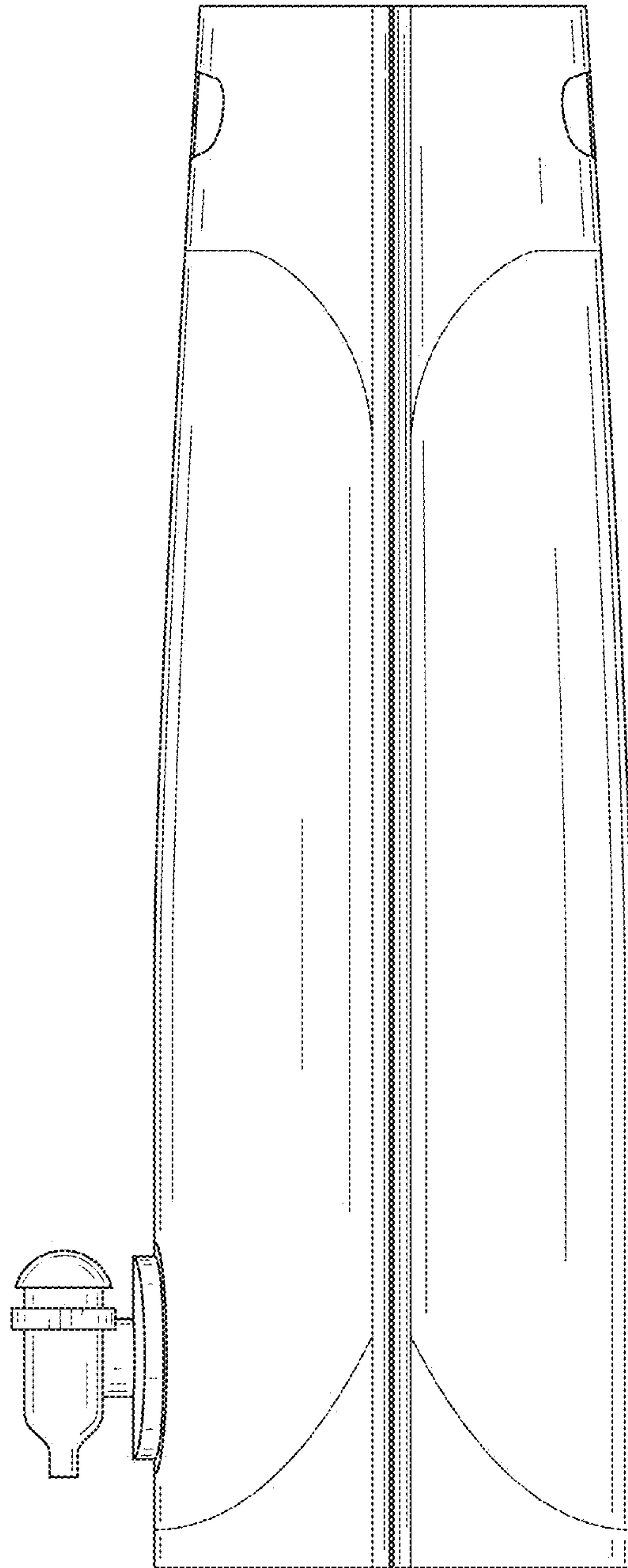


FIG. 5

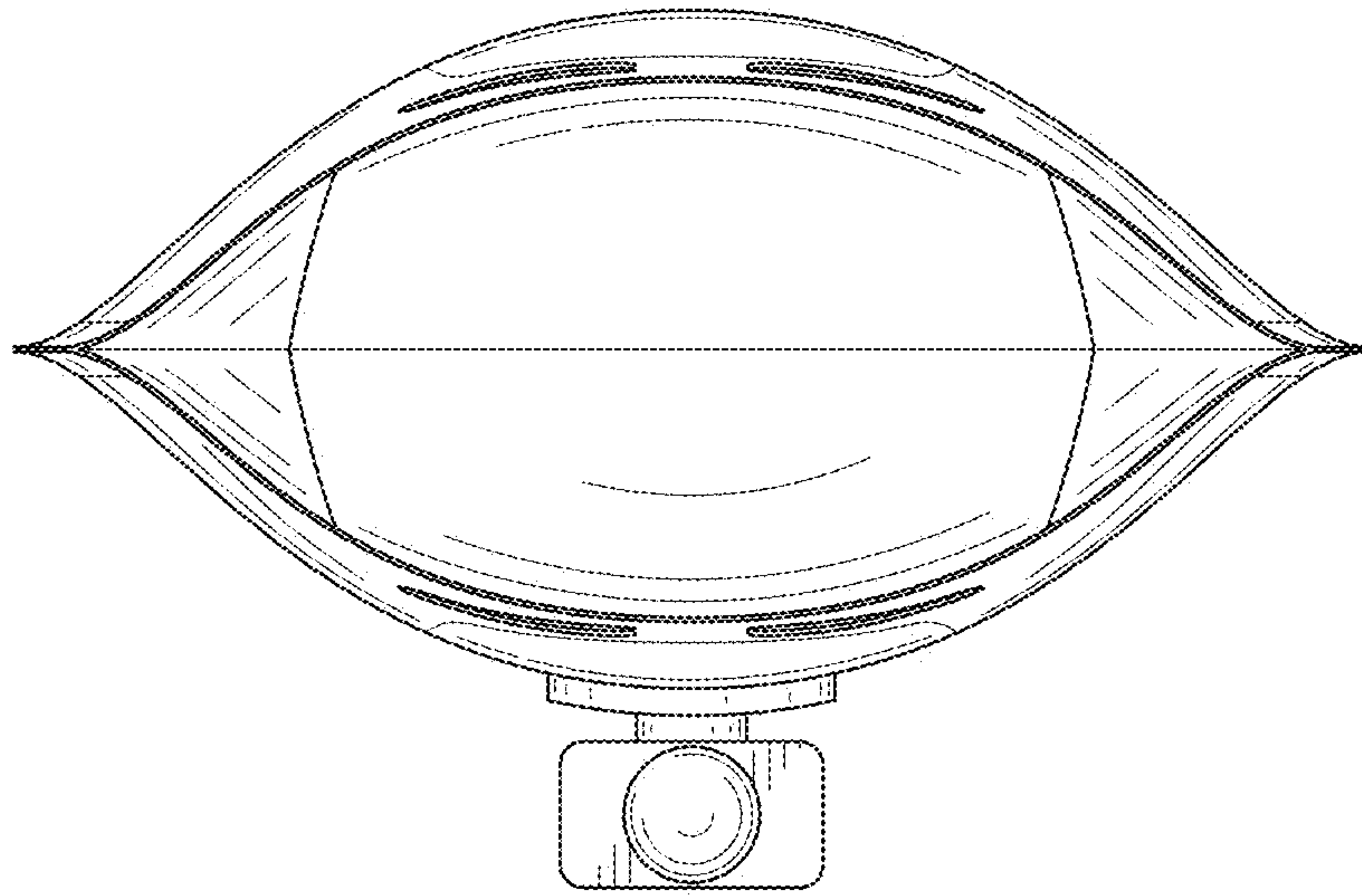


FIG. 6

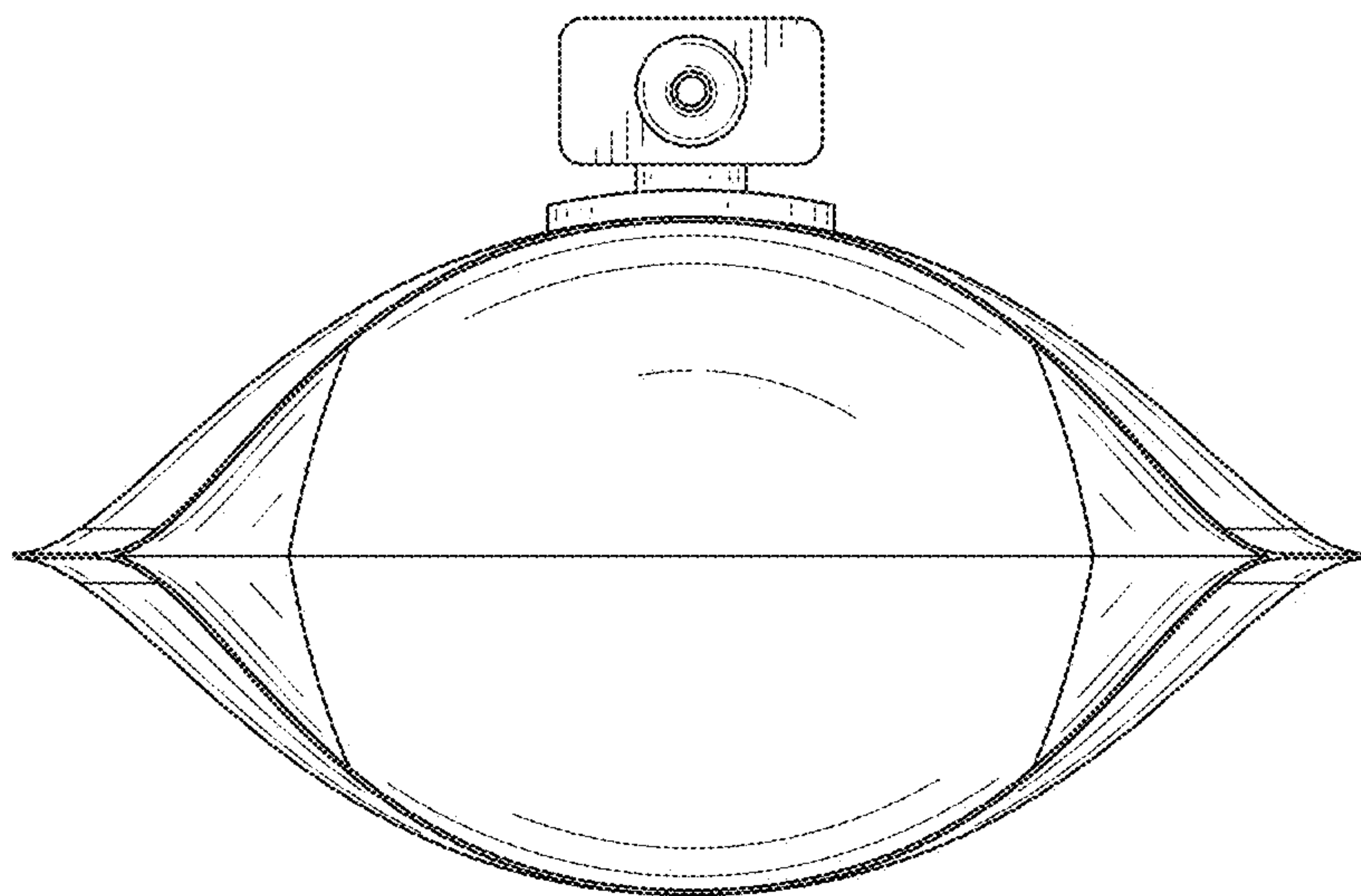


FIG. 7