



US00D680878S

(12) **United States Design Patent**  
**Ford et al.**

(10) **Patent No.:** **US D680,878 S**

(45) **Date of Patent:** **\*\* Apr. 30, 2013**

(54) **COMBINED FRAGRANCE BOTTLE AND CAP**

(74) *Attorney, Agent, or Firm* — Cynthia R. Miller

(75) Inventors: **Thomas C. Ford**, Los Angeles, CA (US); **Lara Modjeski**, Warren, NJ (US)

(57) **CLAIM**

The ornamental design for a combined fragrance bottle and cap, substantially as shown and described.

(73) Assignee: **Thomas C. Ford**, Los Angeles, CA (US)

(\*\*) Term: **14 Years**

**DESCRIPTION**

(21) Appl. No.: **29/408,565**

FIG. 1 is a top, left side and front perspective view of a first embodiment of our new design for a combined fragrance bottle and cap;

(22) Filed: **Dec. 14, 2011**

(51) **LOC (9) Cl.** ..... **09-01**

FIG. 2 is a front elevational view of the combined fragrance bottle and cap shown in FIG. 1; the rear elevational view identical thereto;

(52) **U.S. Cl.**

USPC ..... **D9/652**; D9/529; D9/569; D9/573

FIG. 3 is a left side elevational view of the combined fragrance bottle and cap shown in FIG. 1;

(58) **Field of Classification Search** ..... D9/600,

D9/652, 682, 686–687, 694, 516, 544, 560,

D9/568–575; D7/511, 514–515, 518, 521,

D7/392.1; 206/457, 527, 540; 220/890

See application file for complete search history.

FIG. 4 is a right side elevational view of the combined fragrance bottle and cap shown in FIG. 1;

FIG. 5 is a top plan view of the combined fragrance bottle and cap shown in FIG. 1;

(56) **References Cited**

**U.S. PATENT DOCUMENTS**

D77,826 S 2/1929 Gibson  
D105,396 S 7/1937 McIntosh

(Continued)

**FOREIGN PATENT DOCUMENTS**

CN 3508054 2/2006  
CN 3508055 2/2006

(Continued)

**OTHER PUBLICATIONS**

<http://www.gnpd.com>; Mintel; GNPD; Eau de Toilette; Record ID: 1568754; Euroitalia: Moschino Forever; Fragrances; Men's Fragrances; UK; May 2011.

(Continued)

FIG. 6 is a bottom plan view of the combined fragrance bottle and cap shown in FIG. 1;

FIG. 7 is a top, left side and front perspective view of a second embodiment of our new design for a combined fragrance bottle and cap;

FIG. 8 is a front elevational view of the combined fragrance bottle and cap shown in FIG. 7; the rear elevational view identical thereto;

FIG. 9 is a left side elevational view of the combined fragrance bottle and cap shown in FIG. 7;

FIG. 10 is a right side elevational view of the combined fragrance bottle and cap shown in FIG. 7;

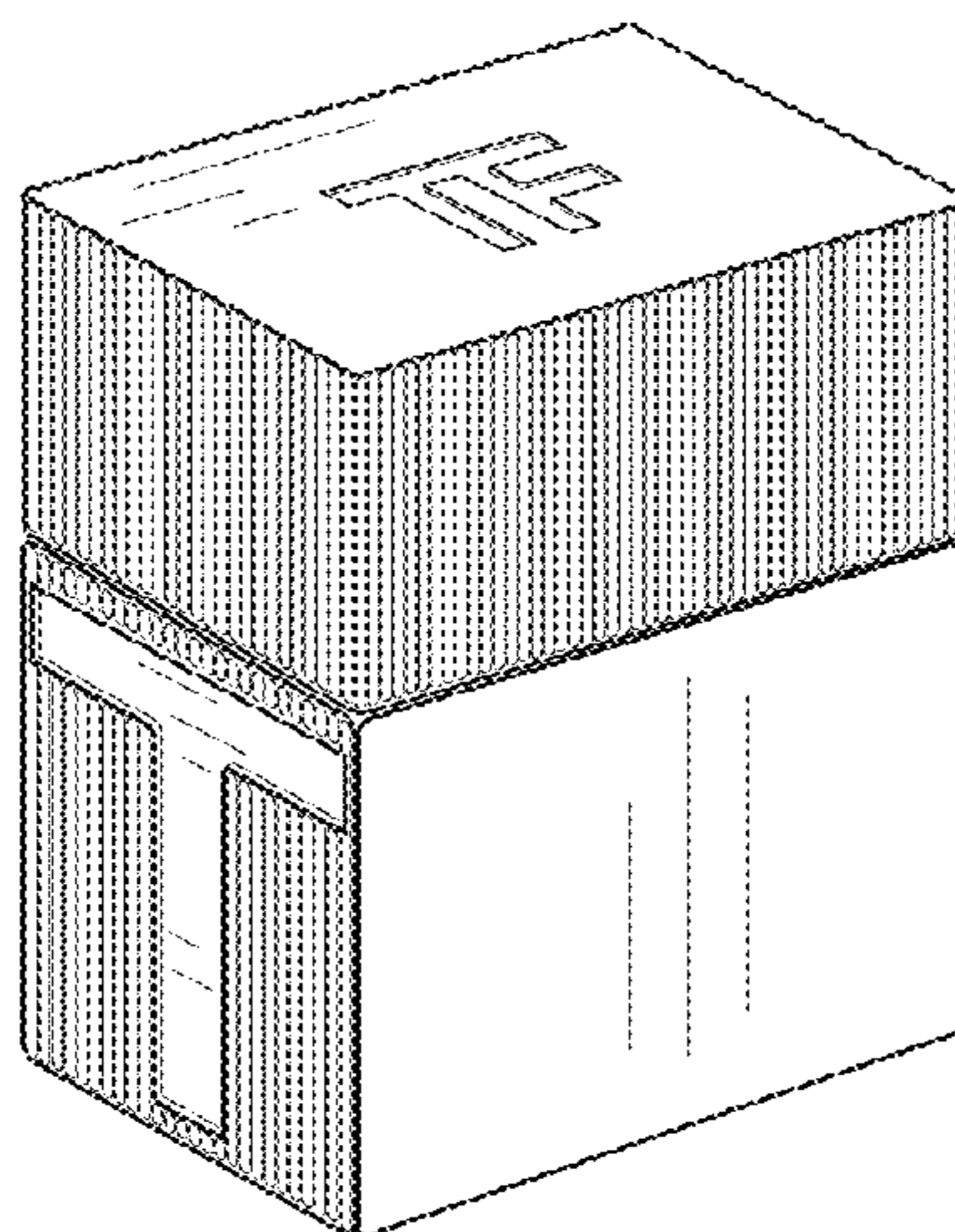
FIG. 11 is a top plan view of the combined fragrance bottle and cap shown in FIG. 7; and,

FIG. 12 is a bottom plan view of the combined fragrance bottle and cap shown in FIG. 7.

The broken lines and the area within the broken lines shown in FIGS. 6 and 12 form no part of the claimed design.

*Primary Examiner* — Sandra Morris

**1 Claim, 4 Drawing Sheets**



# US D680,878 S

Page 2

## U.S. PATENT DOCUMENTS

D112,277 S \* 11/1938 Blunt ..... D9/652  
D195,148 S \* 4/1963 Marchant ..... D9/529  
3,286,902 A \* 11/1966 Hunter et al. .... D9/560  
D258,868 S 4/1981 Soderberg  
D259,023 S 4/1981 Soderberg  
D265,886 S \* 8/1982 Caputo ..... D9/432  
D306,559 S 3/1990 Leonard  
D484,792 S \* 1/2004 Sgariboldi ..... D9/694  
D542,144 S 5/2007 Herrmann  
D542,670 S 5/2007 Herrmann  
D565,963 S 4/2008 Slimane  
D577,600 S \* 9/2008 Kim et al. .... D9/573  
D580,753 S 11/2008 Liden et al.  
D595,571 S 7/2009 Lloyd et al.  
D605,036 S 12/2009 Lloyd et al.  
D618,106 S 6/2010 Boudard  
D631,367 S \* 1/2011 Vuong ..... D9/652  
D666,500 S \* 9/2012 Fendi ..... D9/652

## FOREIGN PATENT DOCUMENTS

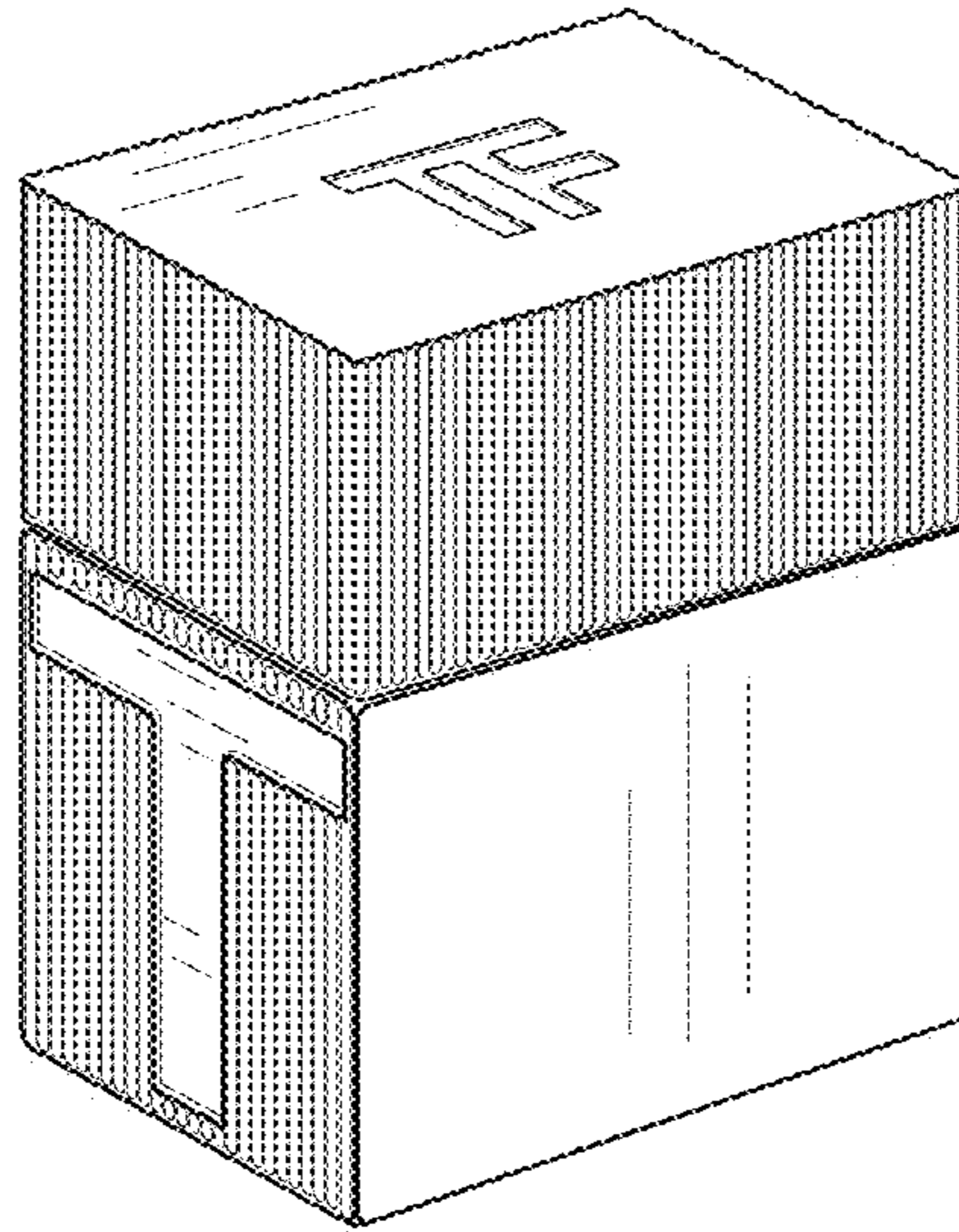
CN 300711849 11/2007  
EM 000824172-0003 12/2007  
EM 001657156-0006 1/2010  
GB 2044772 6/1995  
GB 2048141 7/1995  
UA 16735 6/2008  
WO D009650-001 1/1988  
WO D0016370-001 6/1990

## OTHER PUBLICATIONS

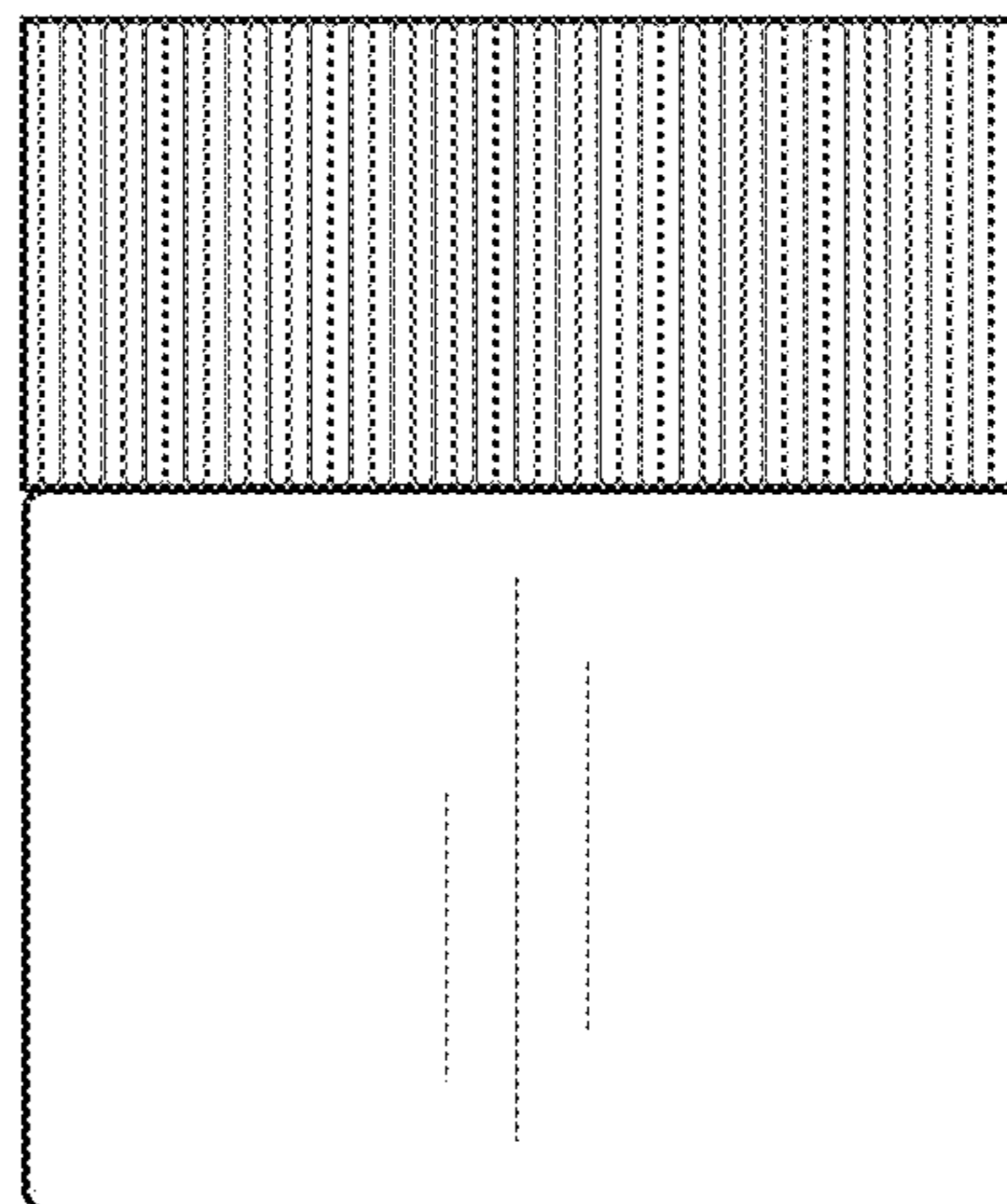
<http://www.gnpd.com>; Mintel; GNPD; Eau de Parfum; Record ID:  
999272; Ulric de Varens; Ulric de Varens; Varens Orginial; Oriental  
Night; Fragrances; Women's Fragrances; FR; Nov. 2008.

\* cited by examiner

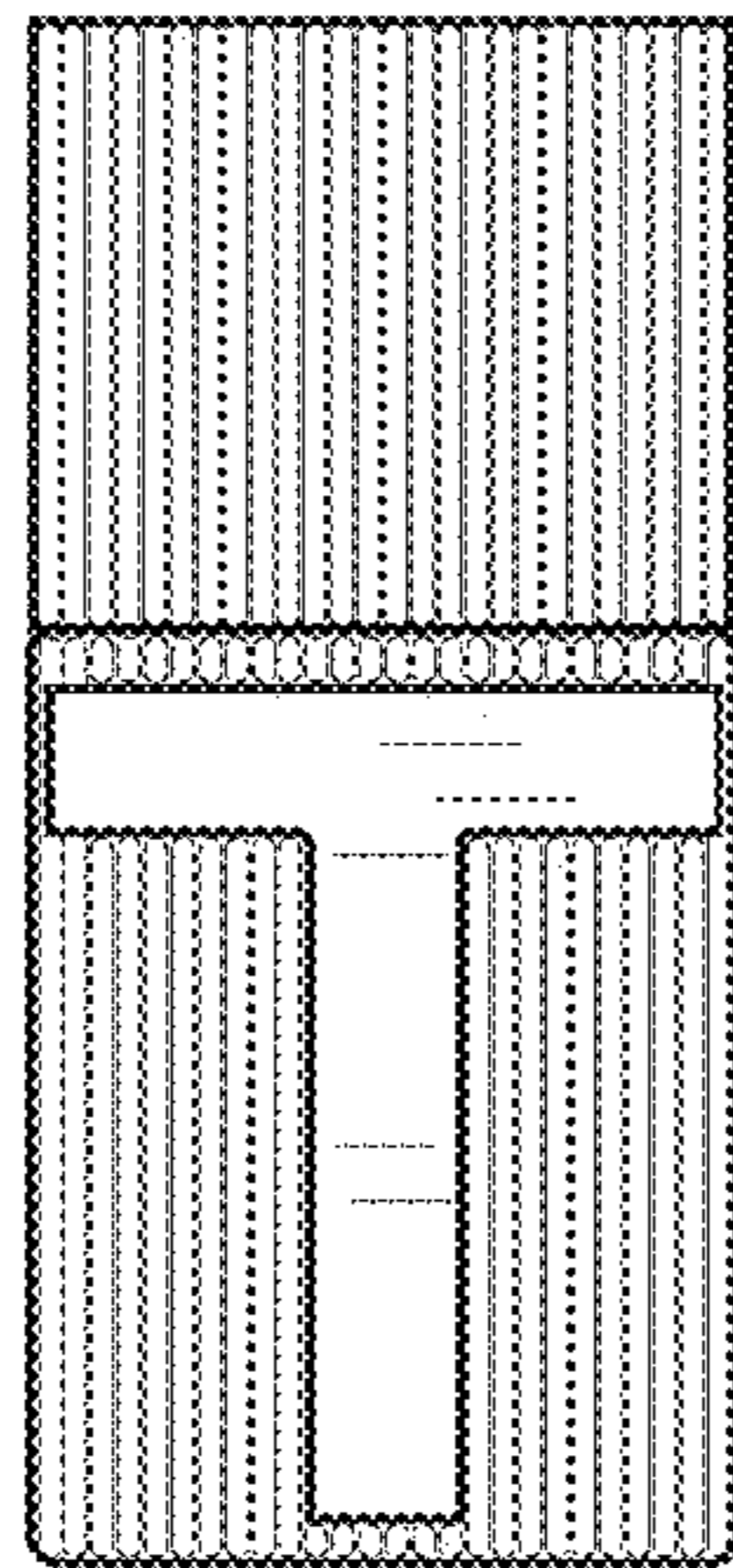
**FIG. 1**



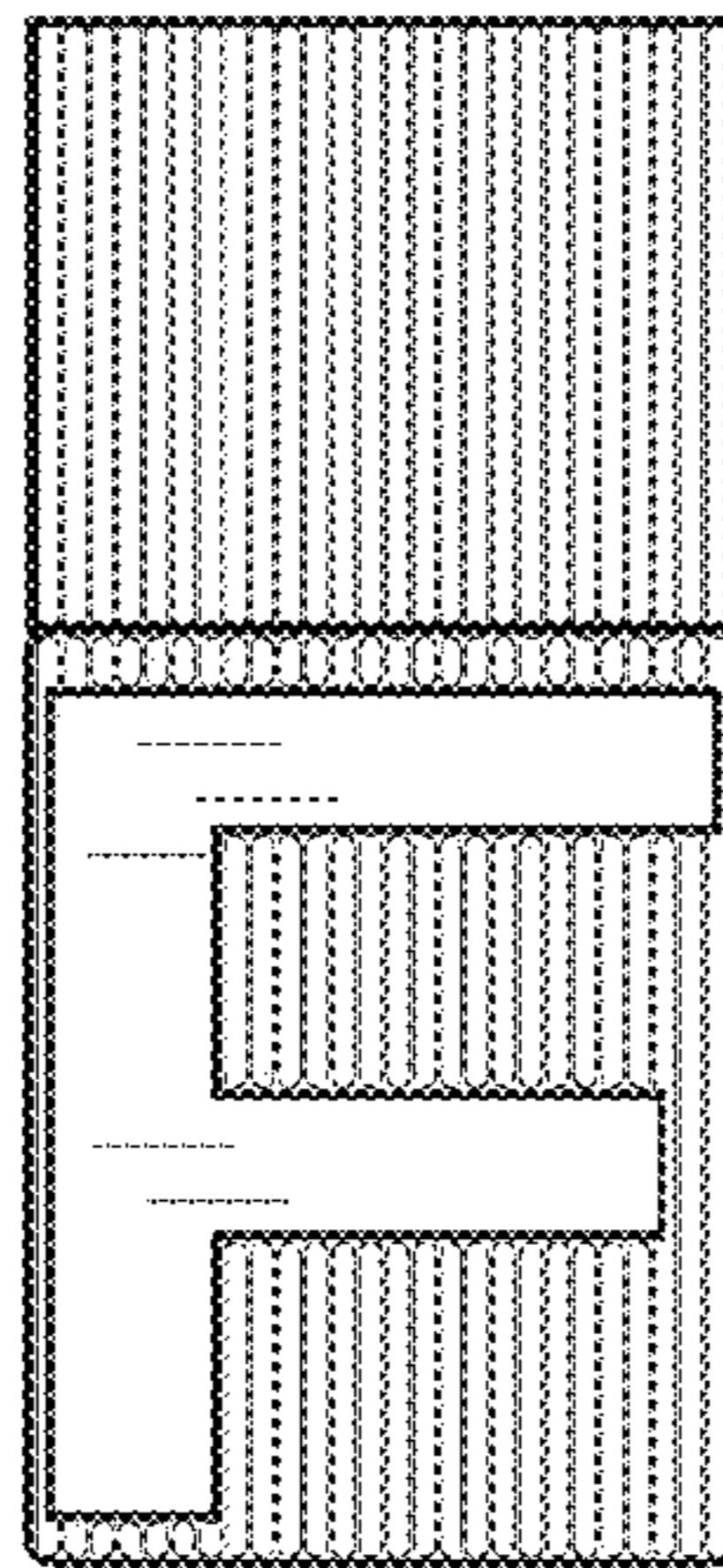
**FIG. 2**



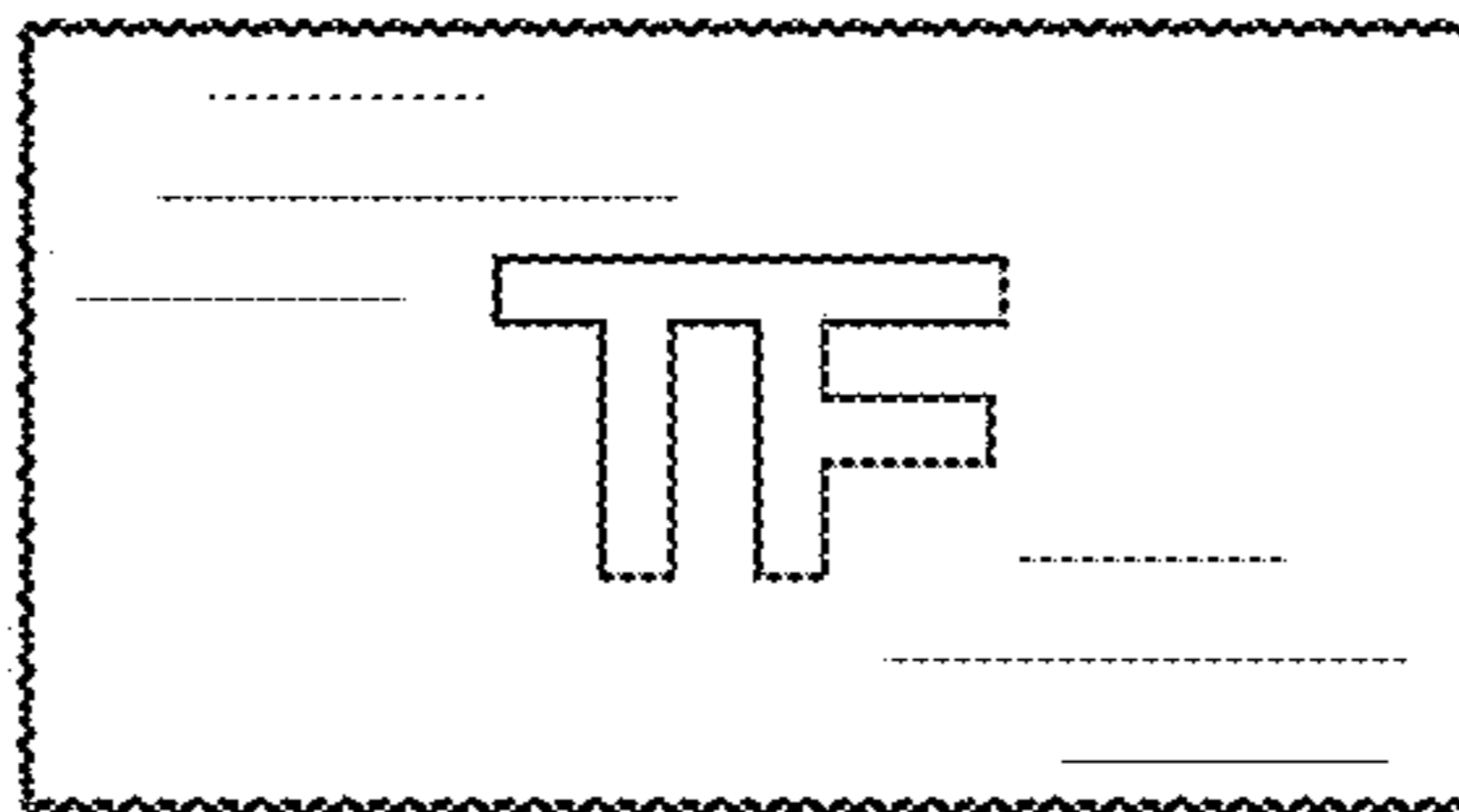
**FIG. 3**



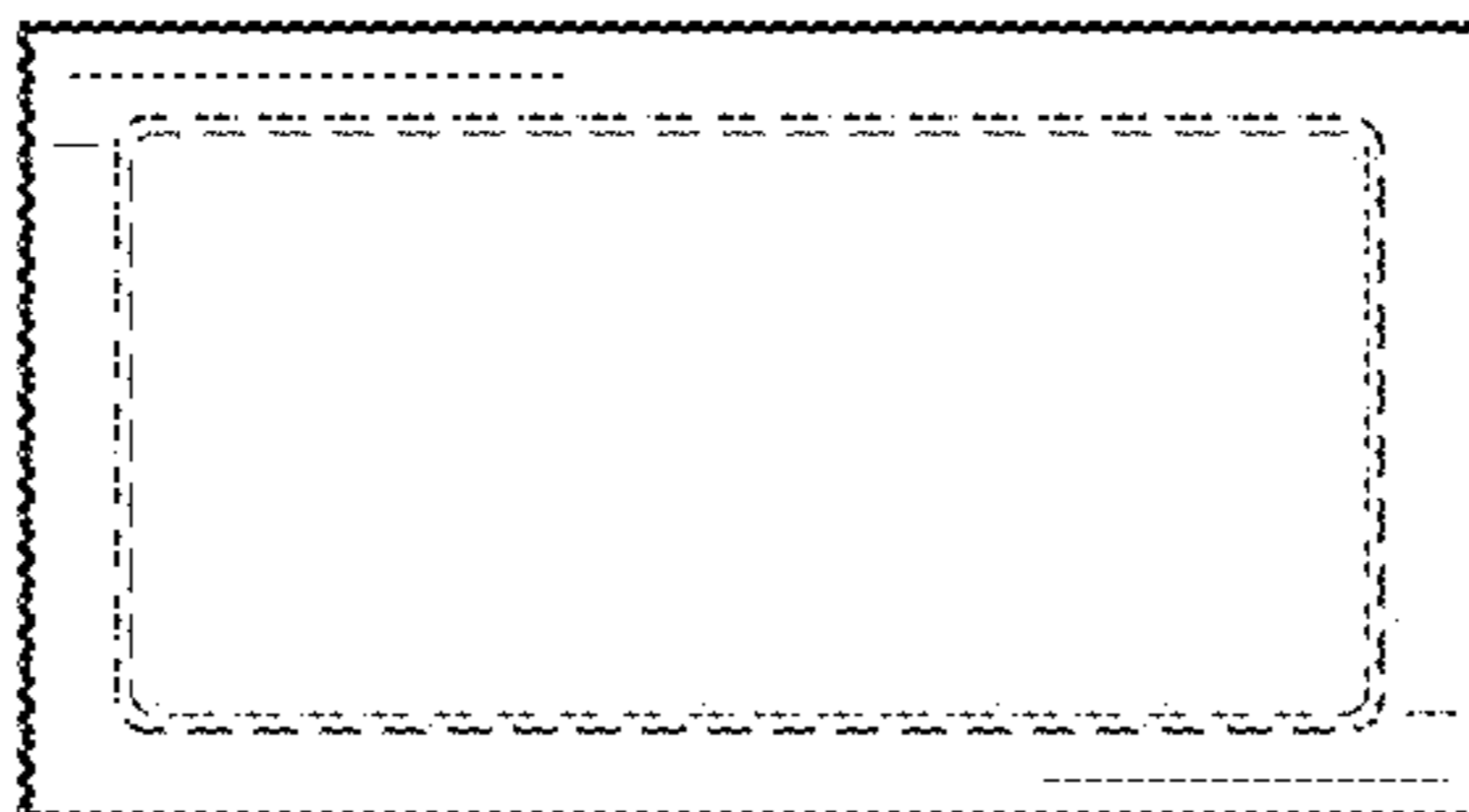
**FIG. 4**



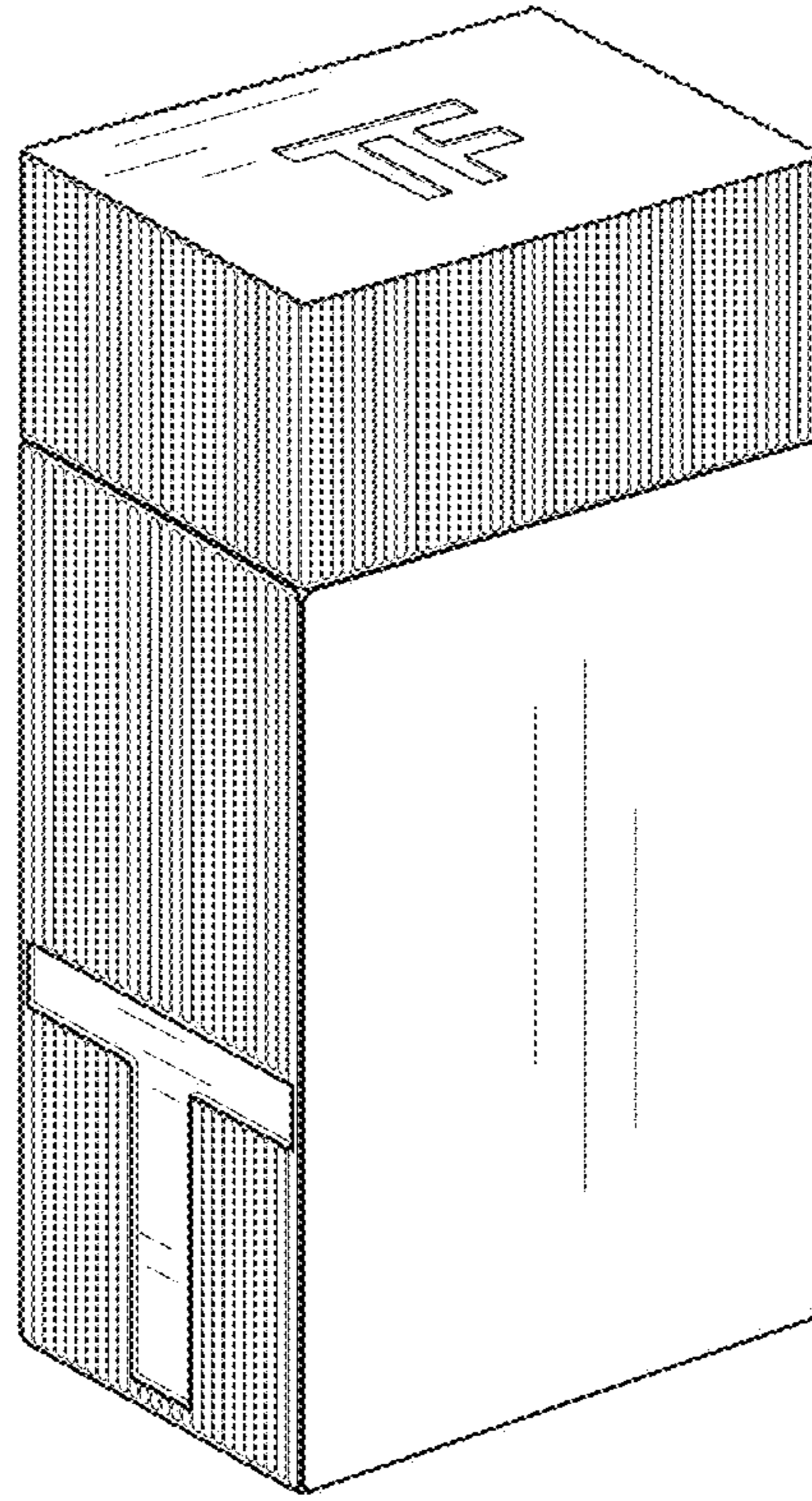
**FIG. 5**



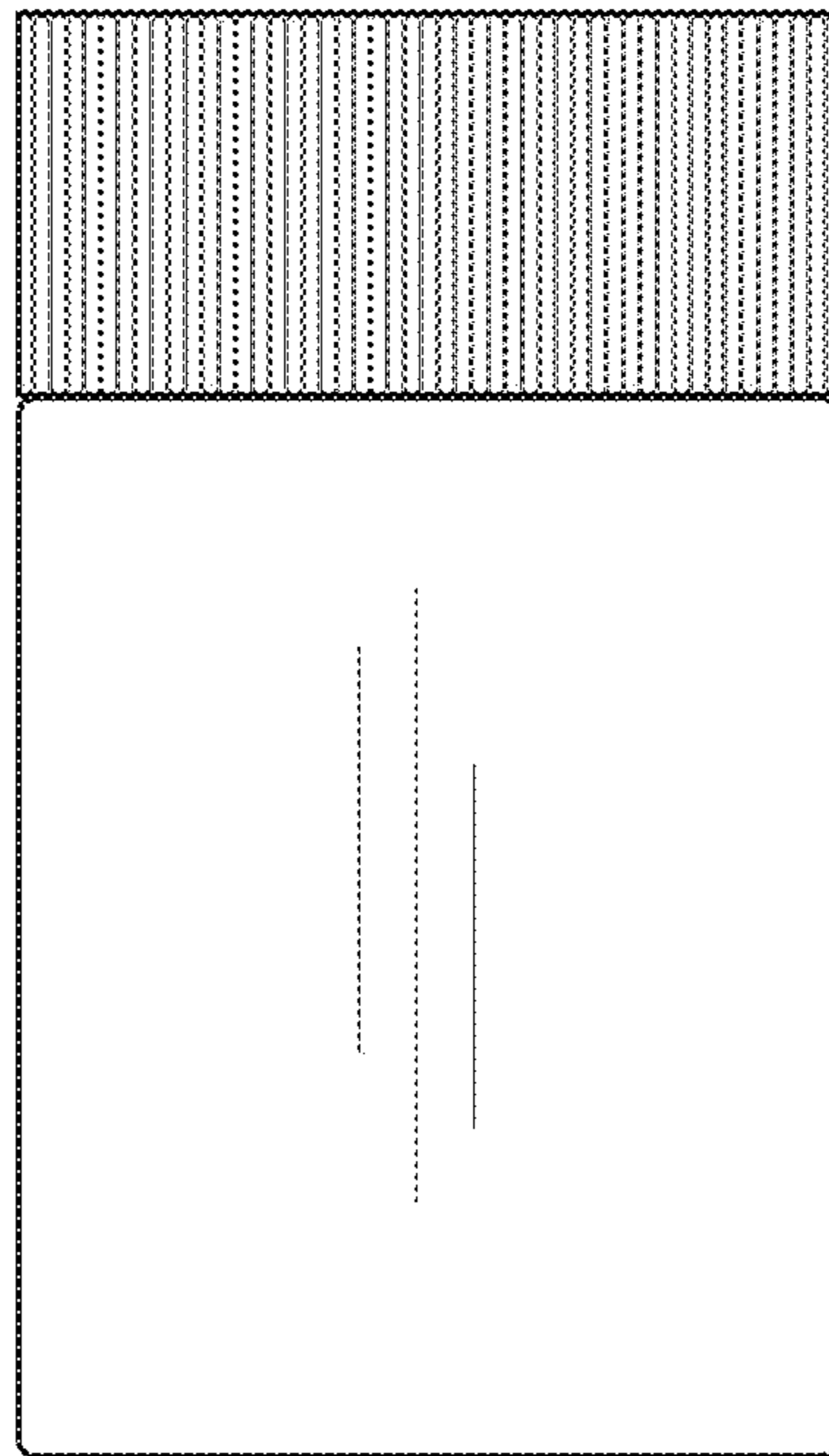
**FIG. 6**



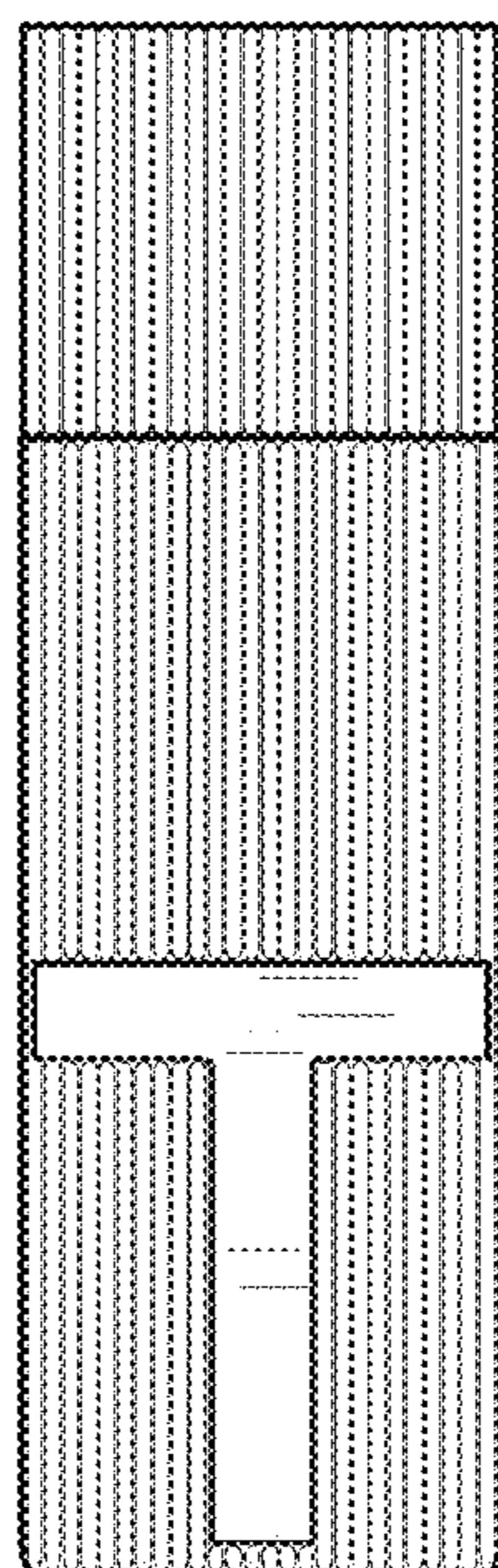
**FIG. 7**



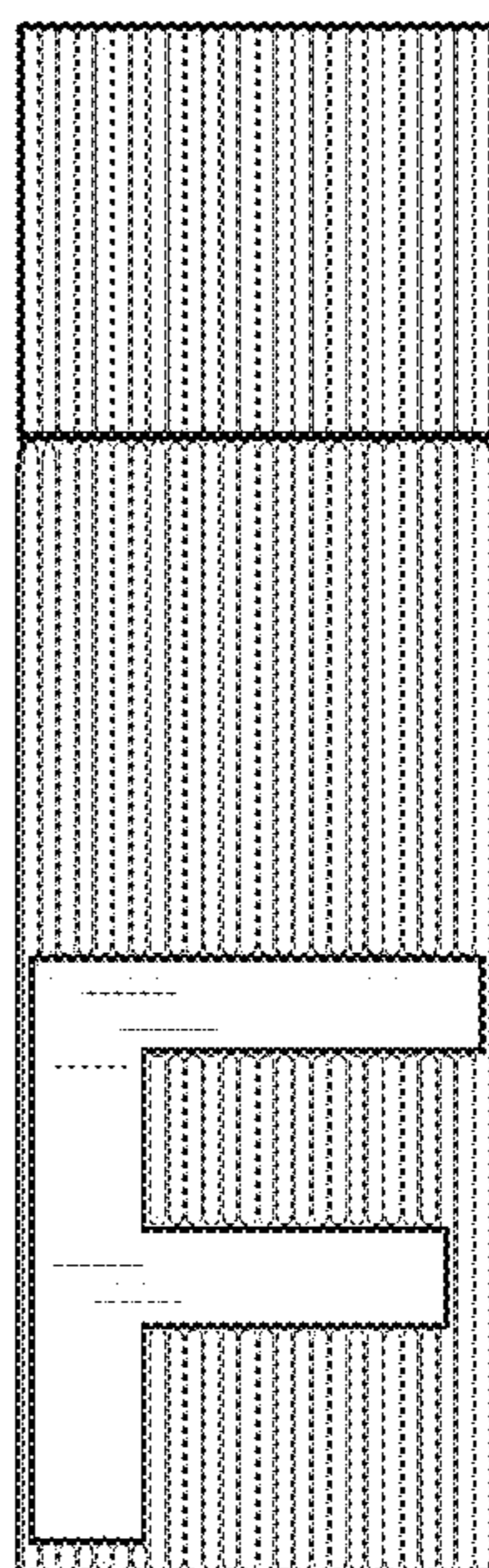
**FIG. 8**



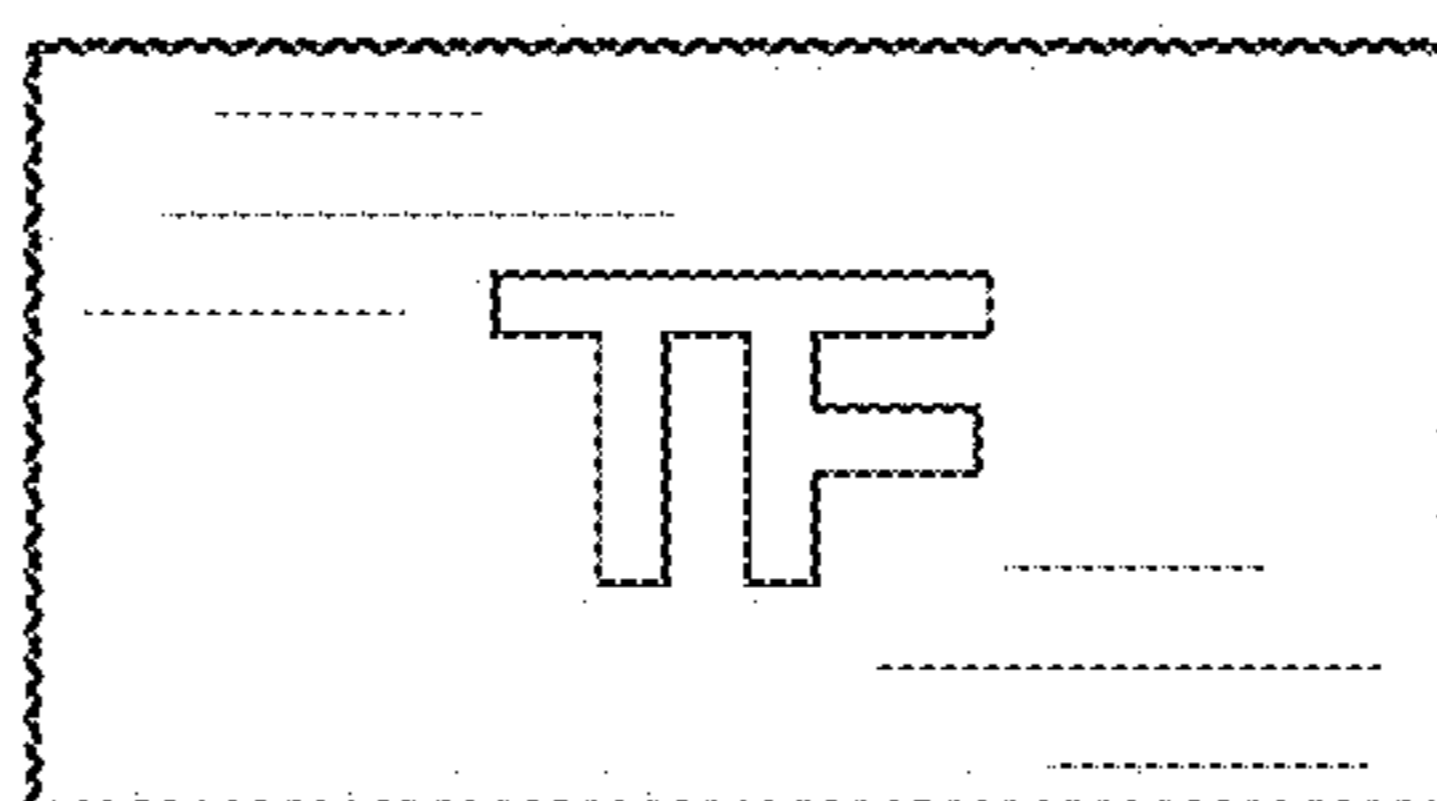
**FIG. 9**



**FIG. 10**



**FIG. 11**



**FIG. 12**

