



US00D680877S

(12) **United States Design Patent**  
**Ghandour**

(10) **Patent No.:** **US D680,877 S**

(45) **Date of Patent:** **\*\* Apr. 30, 2013**

(54) **PERFUME BOTTLE**

(71) Applicant: **Rivelnor Group Limited**, Tortola (VG)

(72) Inventor: **Tanal Ghandour**, Accra (GH)

(73) Assignee: **Rivelnor Group Limited**, Tortola (VG)

(\*\*) Term: **14 Years**

(21) Appl. No.: **29/433,730**

(22) Filed: **Oct. 4, 2012**

**Related U.S. Application Data**

(62) Division of application No. 29/403,099, filed on Sep. 30, 2011.

(30) **Foreign Application Priority Data**

Apr. 5, 2011 (EP) ..... 001846163-0001

Apr. 5, 2011 (EP) ..... 001846163-0002

Apr. 5, 2011 (EP) ..... 001846163-0003

Apr. 5, 2011 (EP) ..... 001846163-0004

(51) **LOC (9) Cl.** ..... **09-01**

(52) **U.S. Cl.**  
USPC ..... **D9/649; D9/572; D9/575**

(58) **Field of Classification Search** ..... D9/600,  
D9/649, 682, 694, 500, 516, 535, 544, 560,  
D9/572-575; 206/494, 457, 527, 540; 215/400;  
220/890; 229/116.1; D7/514-515; D29/91.1

See application file for complete search history.

(56) **References Cited**

U.S. PATENT DOCUMENTS

D172,316	S	*	5/1954	Sanford	.....	D9/649
D454,499	S	*	3/2002	Berkhauer	.....	D9/535
D536,259	S	*	2/2007	Herrmann	.....	D9/573
D571,218	S	*	6/2008	Wagner	.....	D9/535
D589,814	S	*	4/2009	Holzner et al.	.....	D9/560
D600,133	S	*	9/2009	Friedman et al.	.....	D9/560

\* cited by examiner

*Primary Examiner* — Sandra Morris

(74) *Attorney, Agent, or Firm* — Oliff & Berridge, PLC

(57) **CLAIM**

The ornamental design for perfume bottles, as shown and described.

**DESCRIPTION**

FIG. 1 is a perspective view of perfume bottle according to a first embodiment;

FIG. 2 is a front view thereof;

FIG. 3 is a rear view thereof;

FIG. 4 is a left-side view thereof;

FIG. 5 is a right-side view thereof;

FIG. 6 is a top view thereof;

FIG. 7 is a bottom view thereof;

FIG. 8 is a perspective view of a perfume bottle according to a second embodiment;

FIG. 9 is a front view thereof;

FIG. 10 is a rear view thereof;

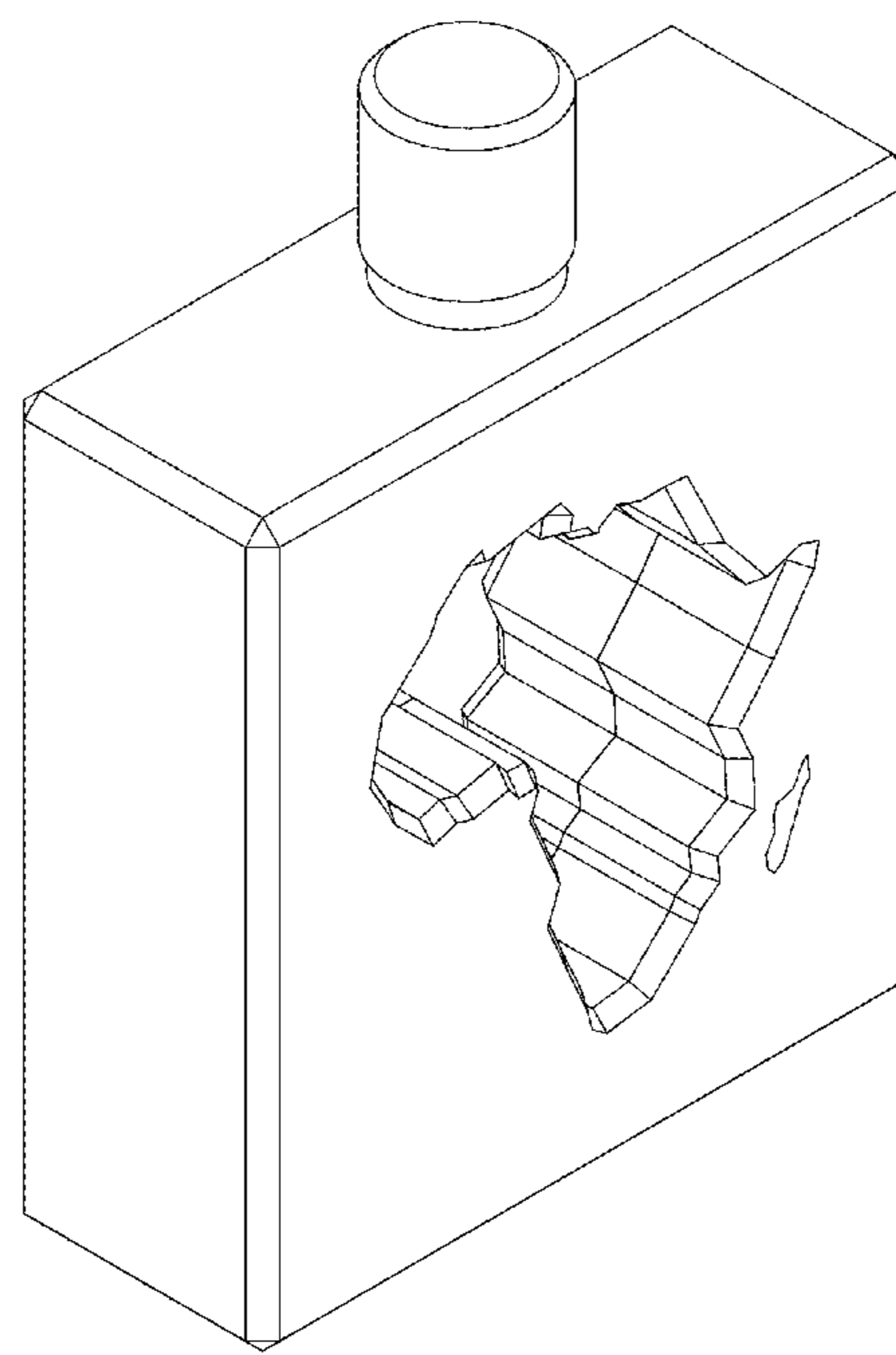
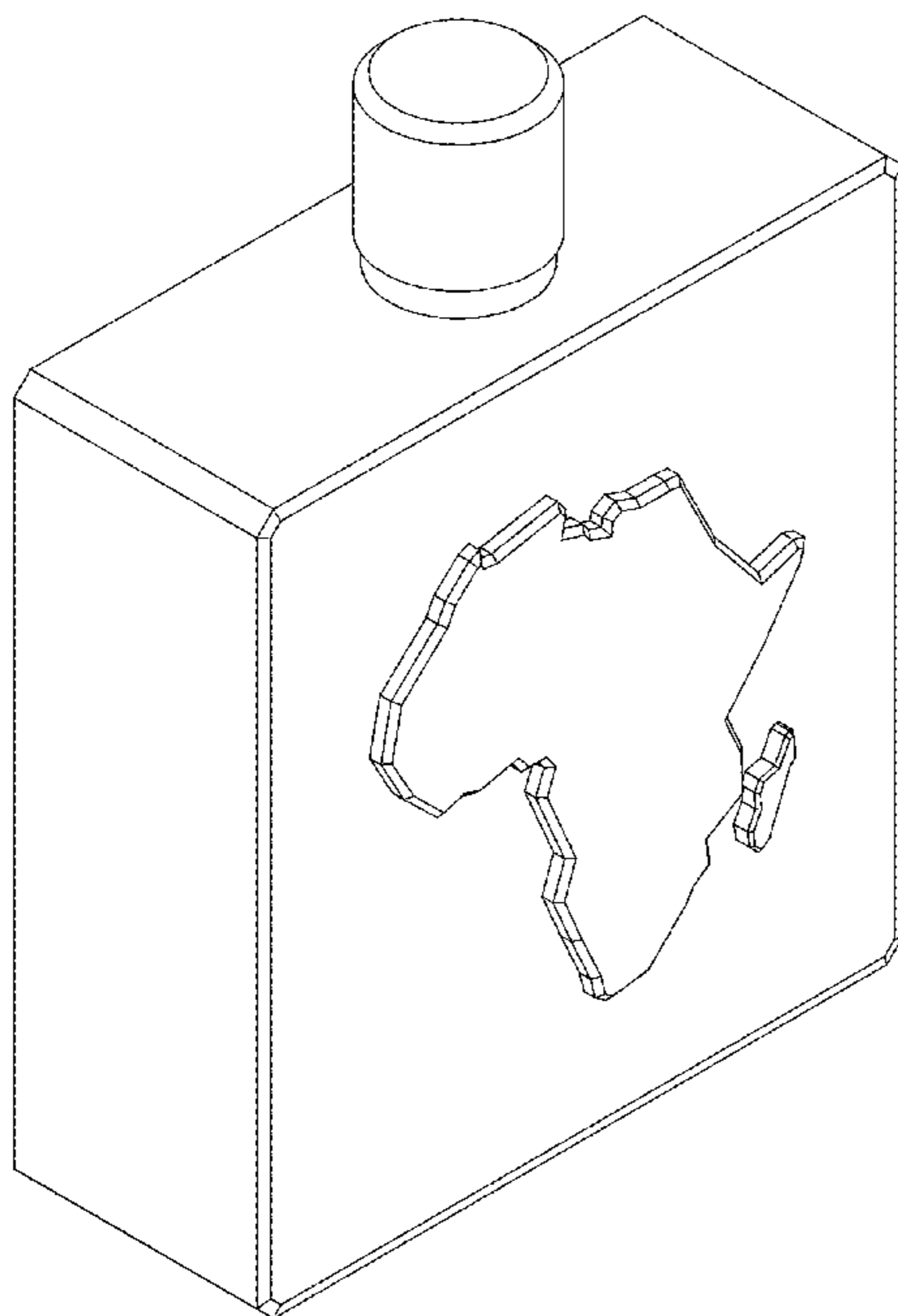
FIG. 11 is a left-side view thereof;

FIG. 12 is a right-side view thereof;

FIG. 13 is a top view thereof; and,

FIG. 14 is a bottom view thereof.

**1 Claim, 10 Drawing Sheets**



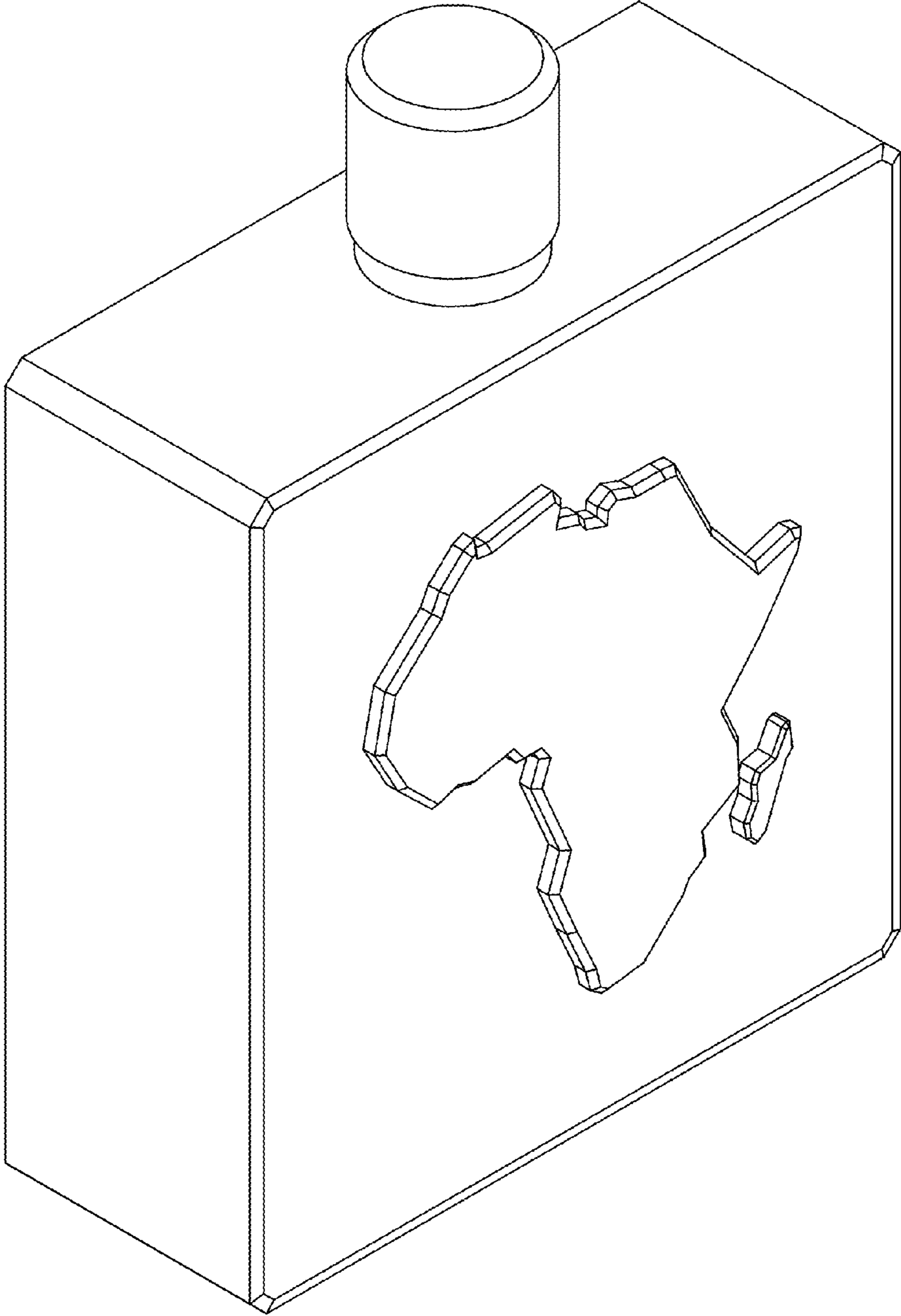


FIG. 1

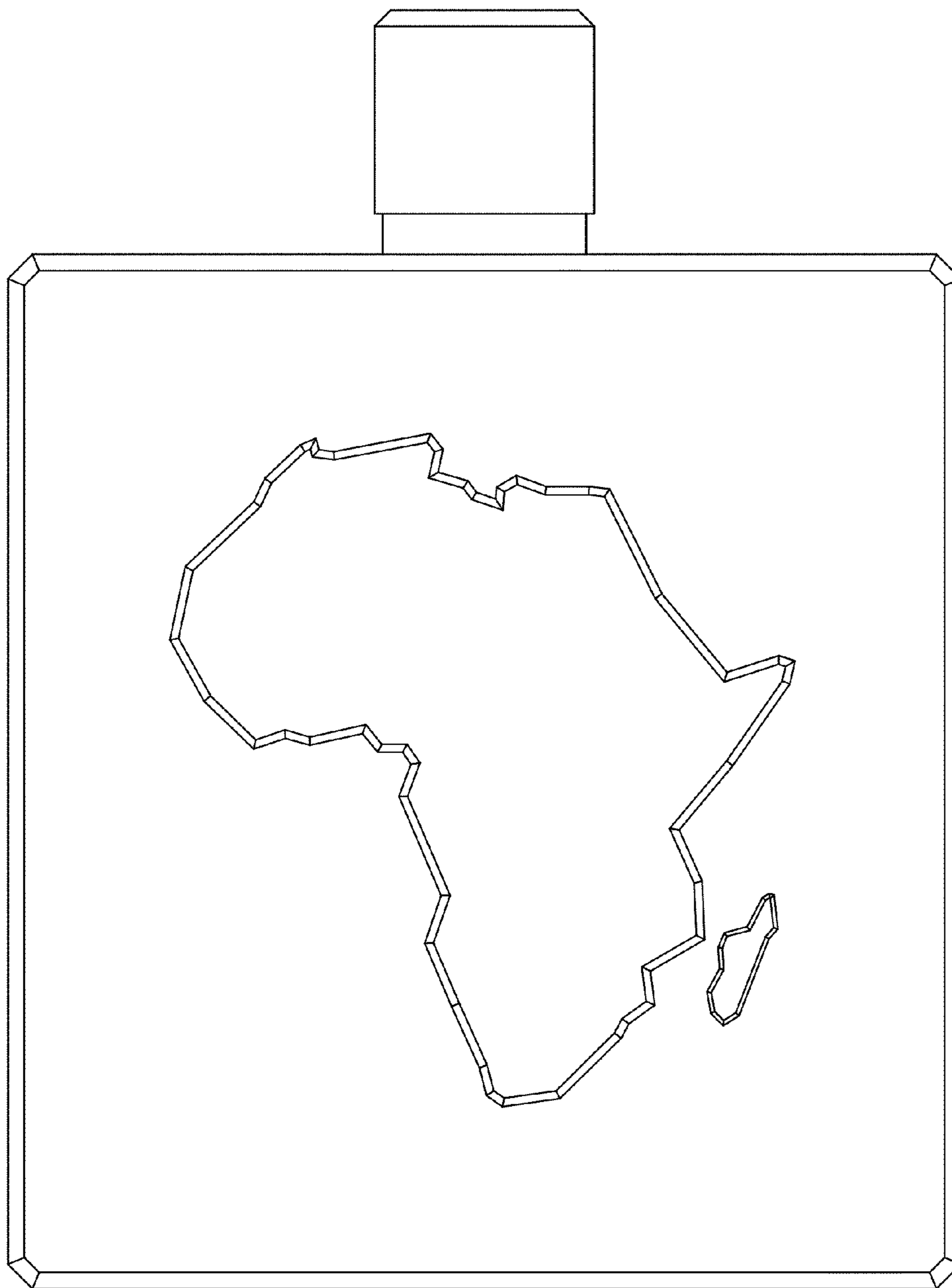


FIG. 2

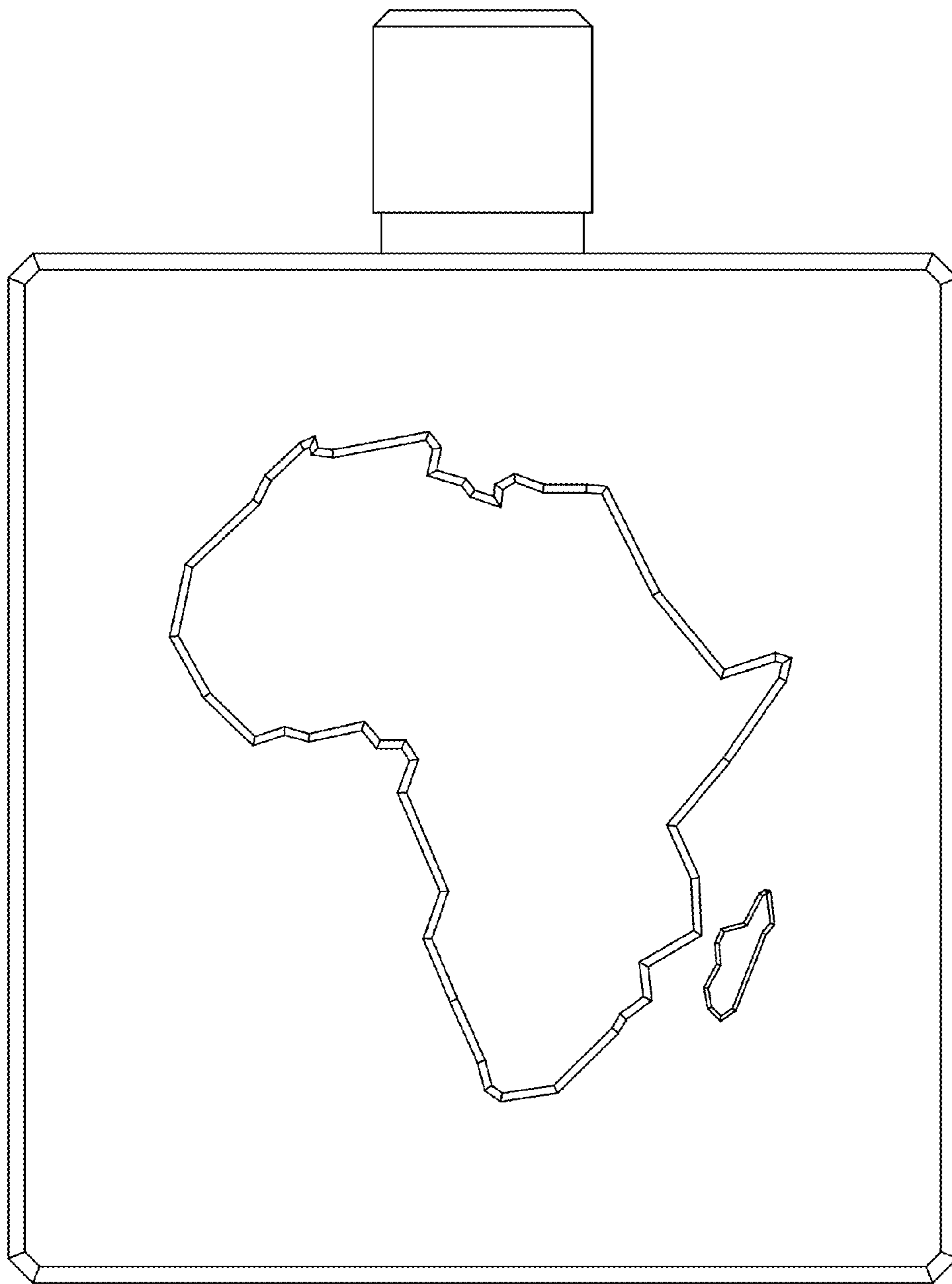


FIG. 3

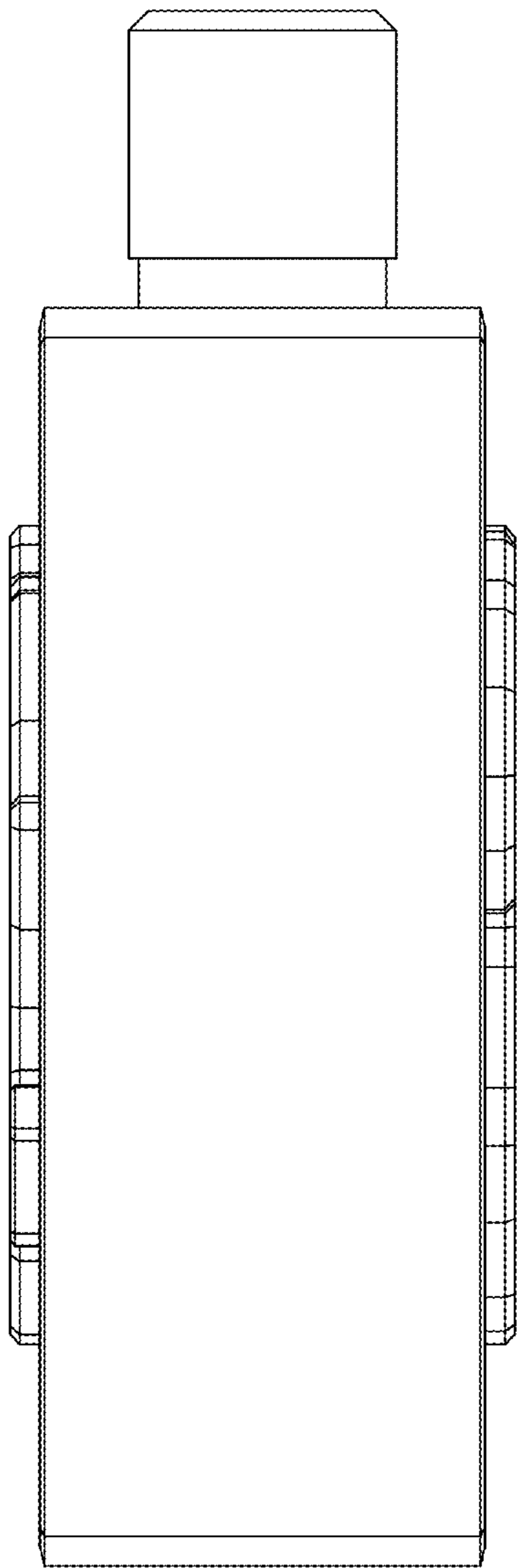


FIG. 4

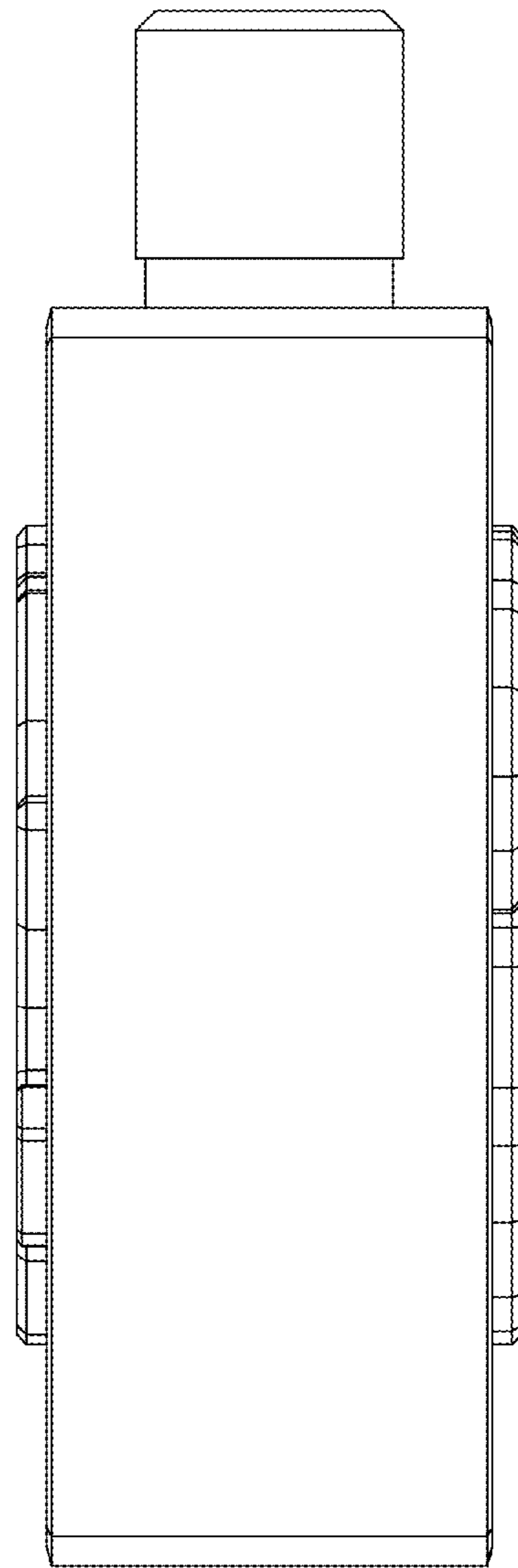


FIG. 5

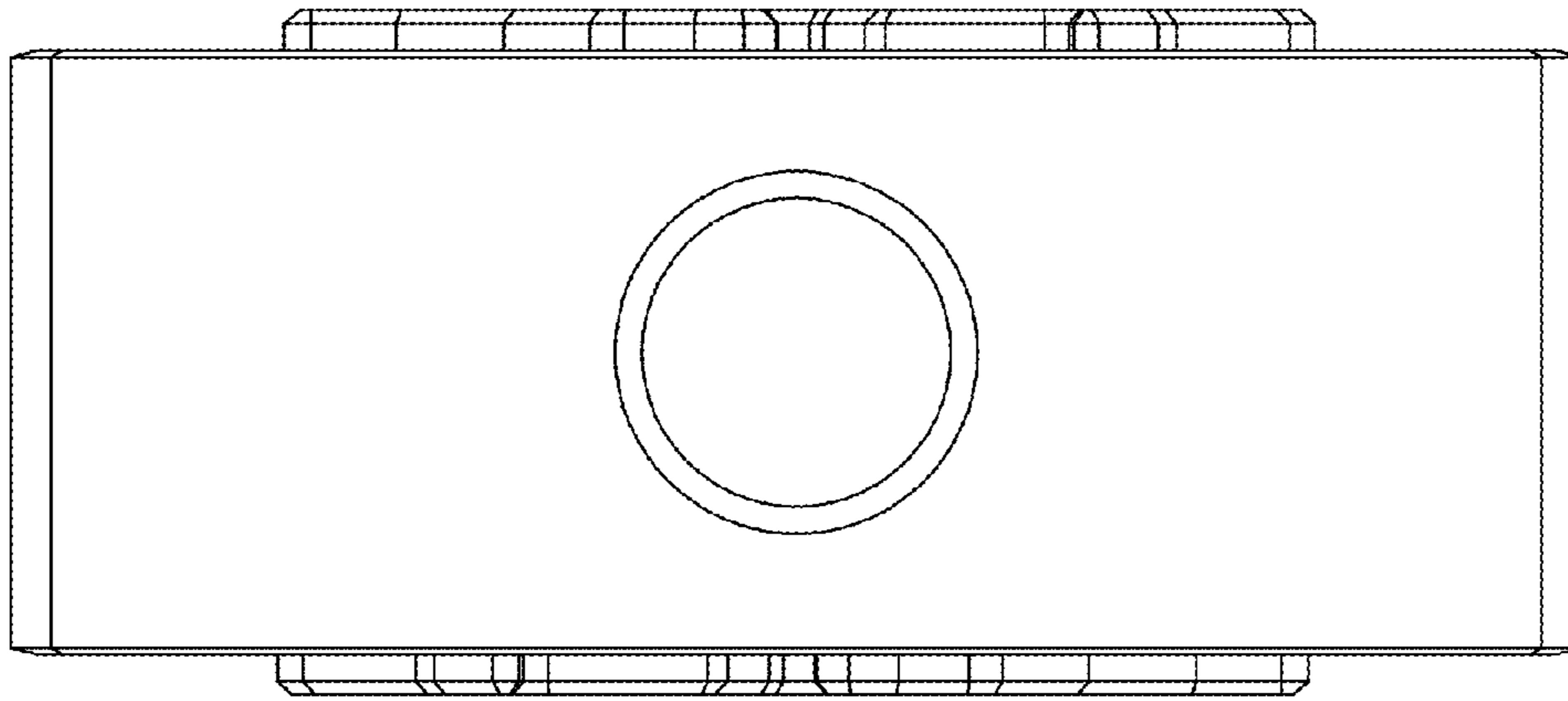


FIG. 6

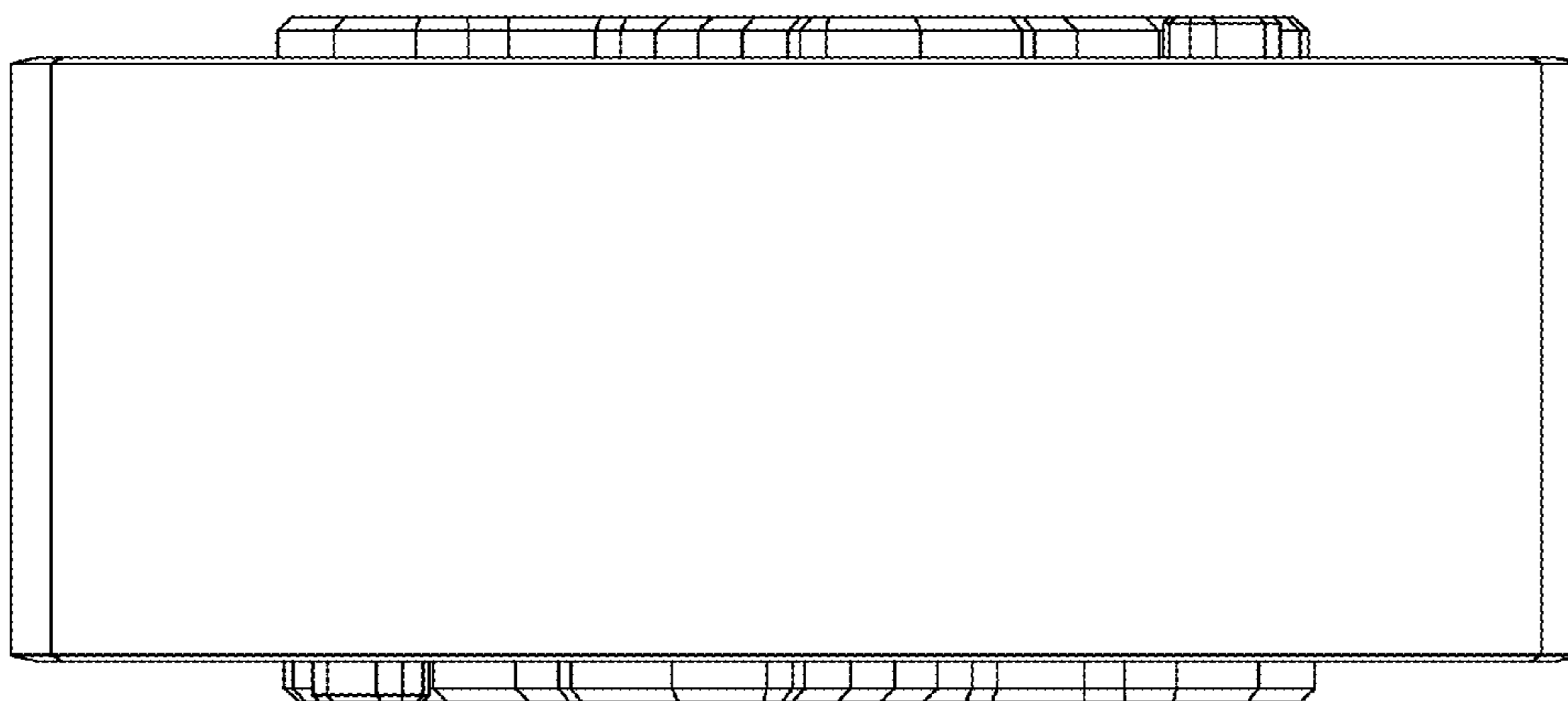


FIG. 7

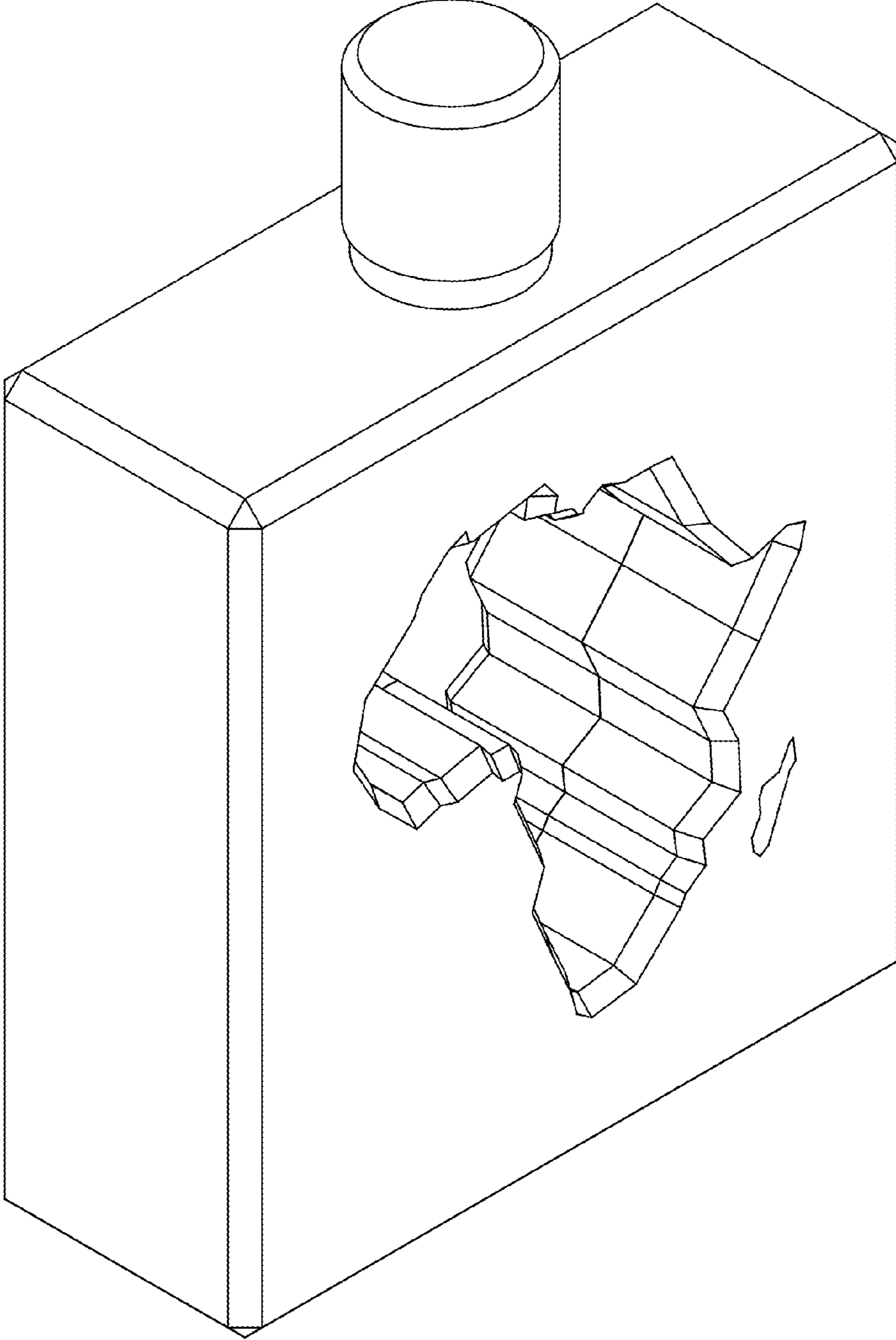


FIG. 8

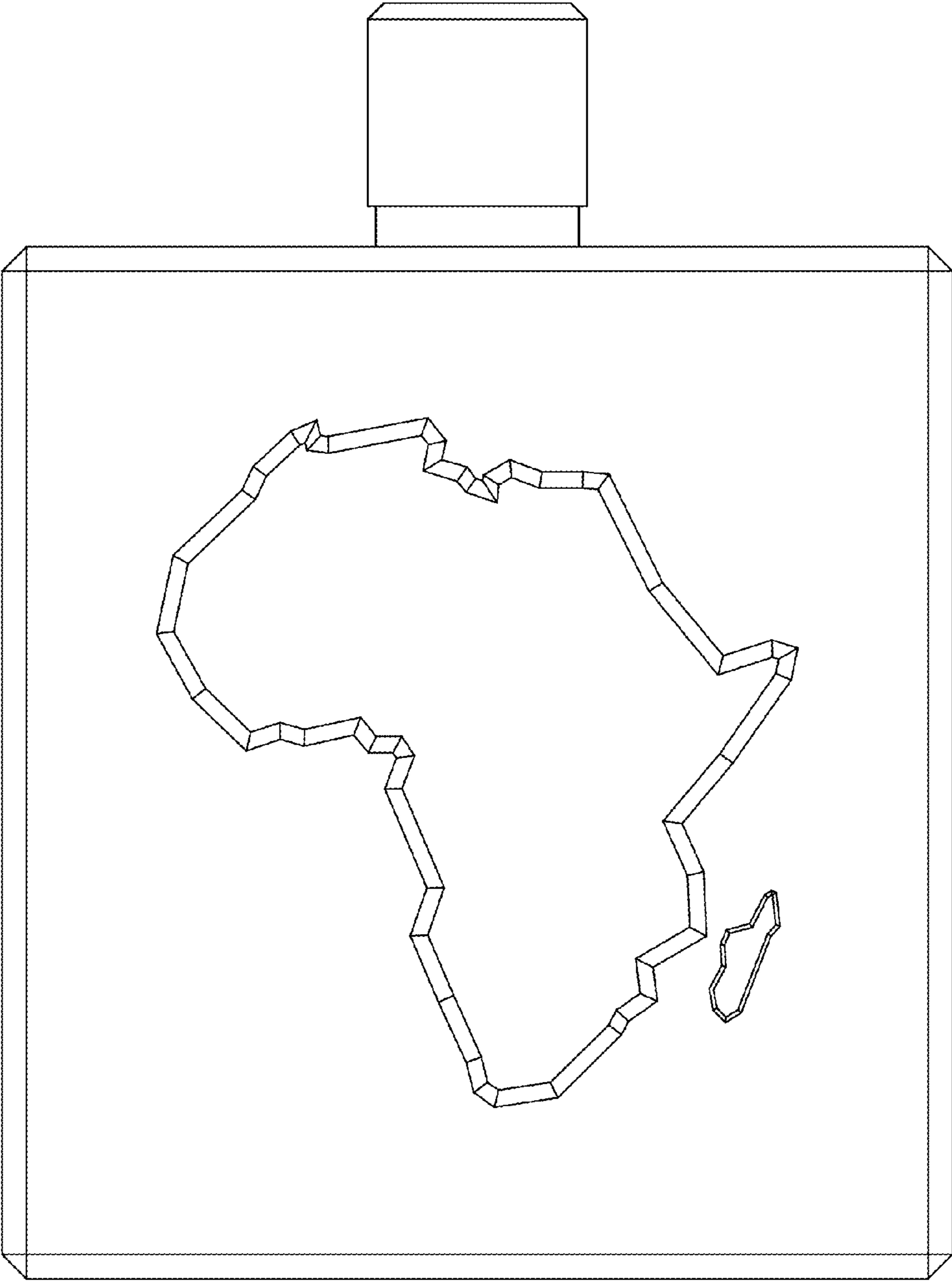


FIG. 9



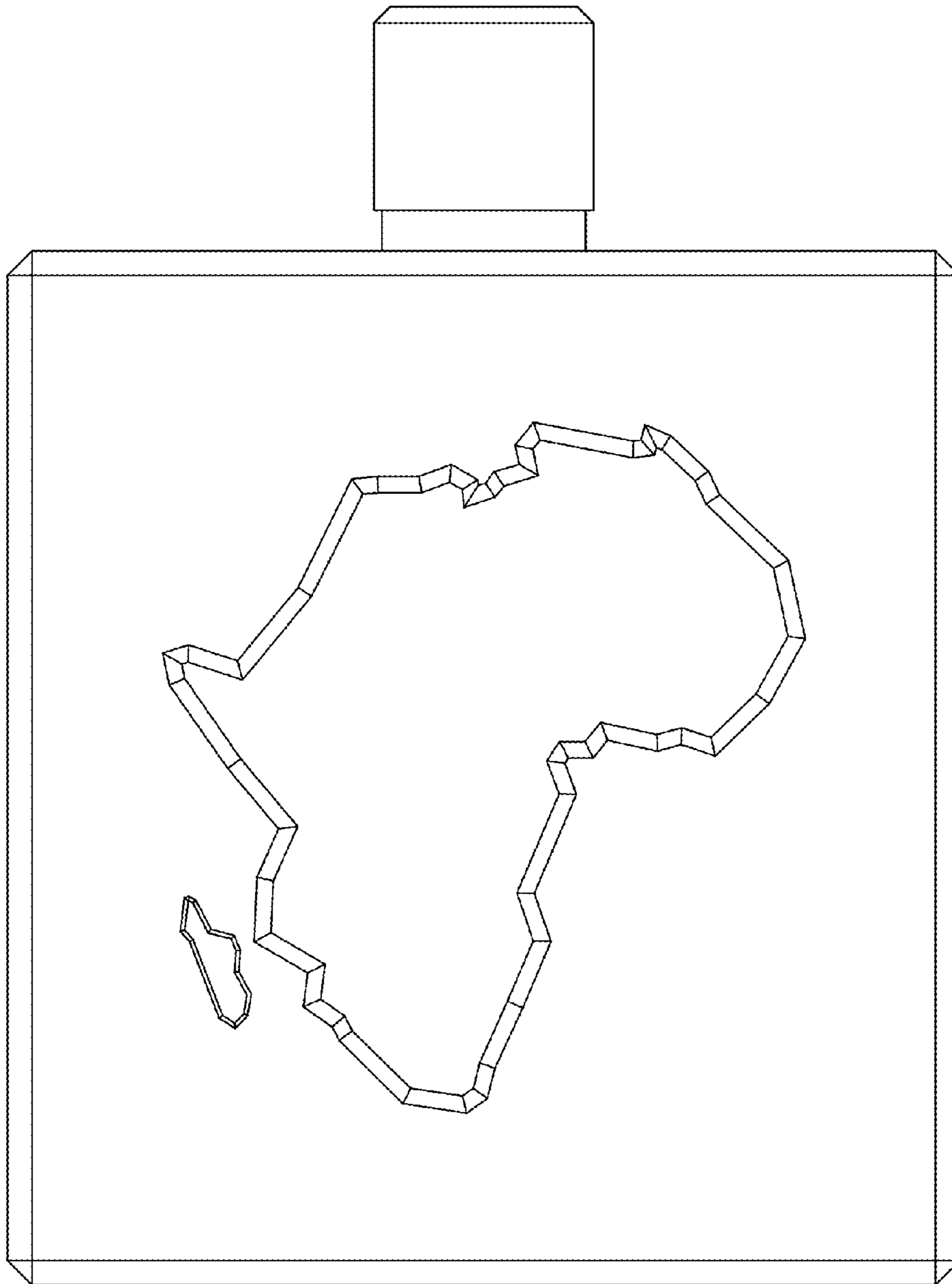


FIG. 10

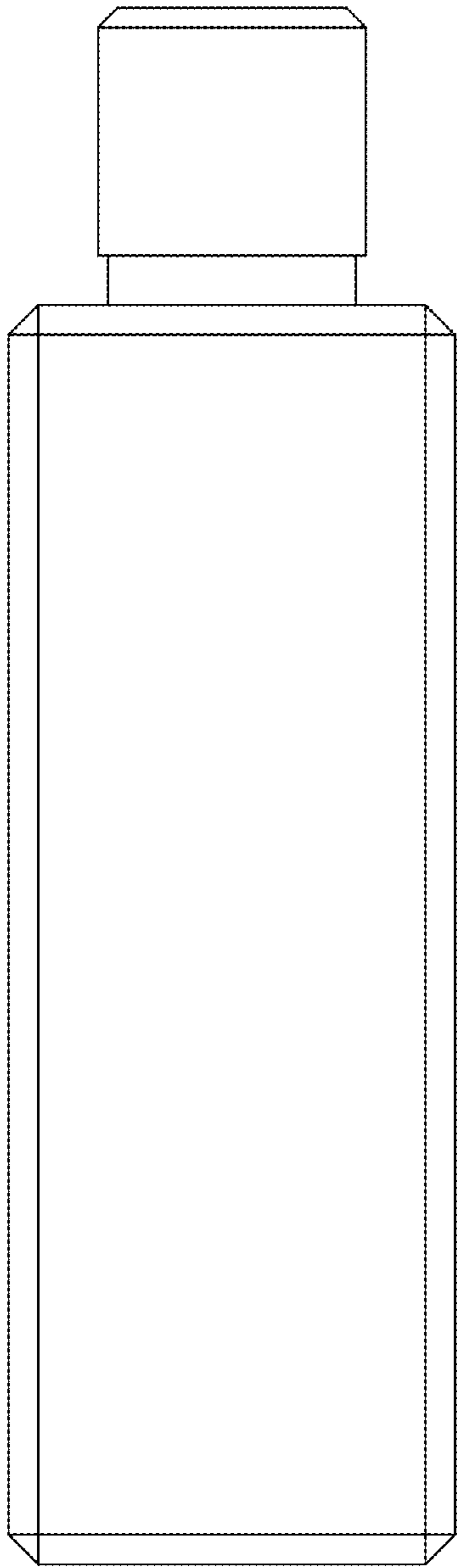


FIG. 11

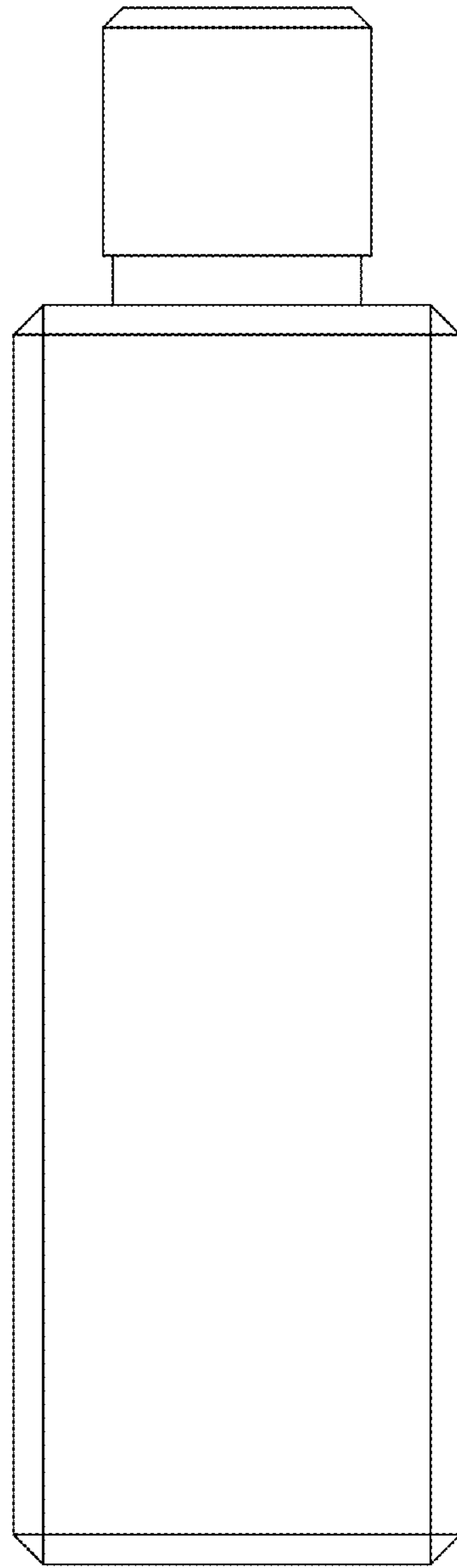


FIG. 12

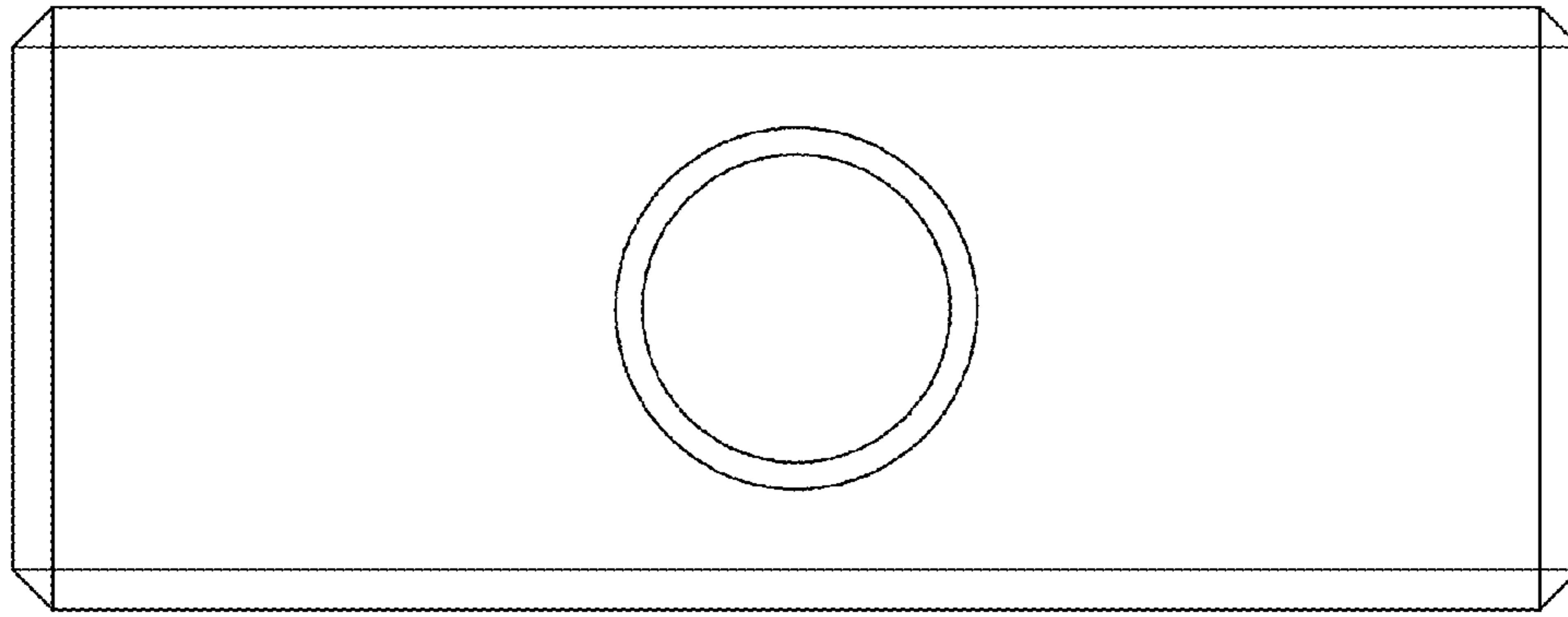


FIG. 13

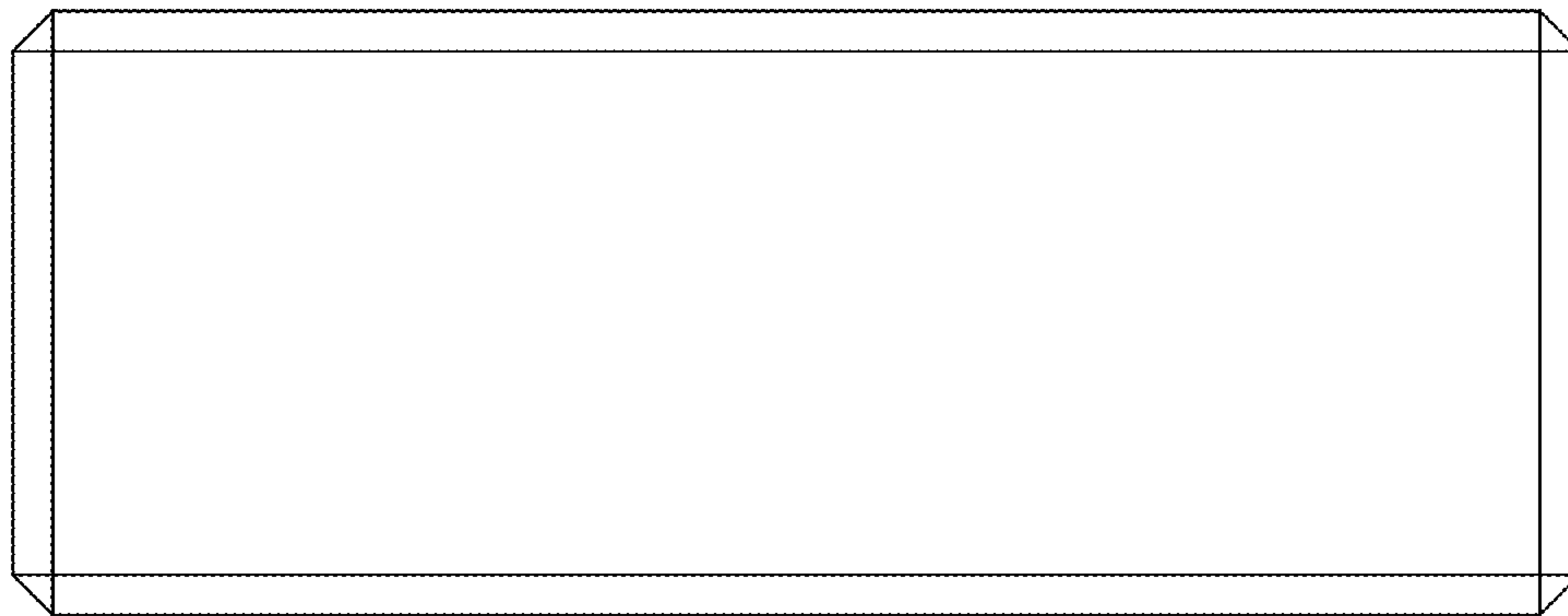


FIG. 14