



US00D680872S

(12) **United States Design Patent**
Uribe et al.

(10) **Patent No.:** **US D680,872 S**
(45) **Date of Patent:** **** Apr. 30, 2013**

- (54) **BOTTLE**
- (75) Inventors: **Adriana Uribe**, Sunnyside, NY (US);
Sandra Monteparo, Brooklyn, NY
(US); **Melanie Wiesenthal**, Brooklyn,
NY (US)
- (73) Assignee: **Victoria's Secret Stores Brand**
Management, Inc., Reynoldsburg, OH
(US)
- (**) Term: **14 Years**
- (21) Appl. No.: **29/409,231**
- (22) Filed: **Dec. 21, 2011**
- (51) **LOC (9) Cl.** **09-01**
- (52) **U.S. Cl.**
USPC **D9/565; D9/573; D9/574**
- (58) **Field of Classification Search** D9/682,
D9/686-687, 693-694, 516, 522, 530, 541-544,
D9/546, 549, 552, 560, 565, 571-575, 435,
D9/439, 452-453; 215/381-385
See application file for complete search history.

(56) **References Cited**

U.S. PATENT DOCUMENTS

D24,579 S *	8/1895	Lowery	D9/544
D91,712 S	3/1934	Howe		
D92,697 S	7/1934	Bicks		
D143,657 S *	1/1946	Graham	D9/573 X
D214,428 S	6/1969	Heintze et al.		
D214,877 S *	8/1969	Biallo et al.	D9/529
D254,653 S *	4/1980	Grodin	D9/544
D260,367 S *	8/1981	Grip	D9/573 X
D277,734 S *	2/1985	Harris	D9/552 X
D286,023 S	10/1986	O'Reilly		
D287,340 S *	12/1986	Dinand	D9/560
D346,746 S	5/1994	Desgrippes		
D357,187 S	4/1995	Sherman		
D364,348 S *	11/1995	Sgariboldi	D9/544

D373,085 S	8/1996	Lecoule		
D381,275 S *	7/1997	Lecoule	D9/572
D398,238 S	9/1998	Bertolini et al.		
D398,244 S	9/1998	Bertolini et al.		
D399,747 S	10/1998	Bertolini et al.		
D400,800 S	11/1998	Bertolini et al.		
D404,293 S	1/1999	Bertolini et al.		
D412,282 S	7/1999	Cacciato		
D420,596 S *	2/2000	Maddy	D9/560
D426,774 S *	6/2000	Jauffret	D9/573 X
D446,725 S	8/2001	Lloyd		
D448,301 S	9/2001	Togasawa		
D473,467 S *	4/2003	Lecoule	D9/516
D484,419 S *	12/2003	Potocki et al.	D9/574 X
D498,679 S	11/2004	Meeker et al.		
D499,338 S *	12/2004	Mulder et al.	D9/549 X
D507,738 S	7/2005	Wagner		
D509,144 S	9/2005	Snyder		
D509,743 S	9/2005	Blasko et al.		
D522,872 S *	6/2006	Lascaux	D9/574 X
D531,911 S *	11/2006	Lloyd	D9/546
D532,309 S	11/2006	Stolle		

(Continued)

Primary Examiner — Carol P Rademaker

(74) Attorney, Agent, or Firm — Ward & Zinna, LLC

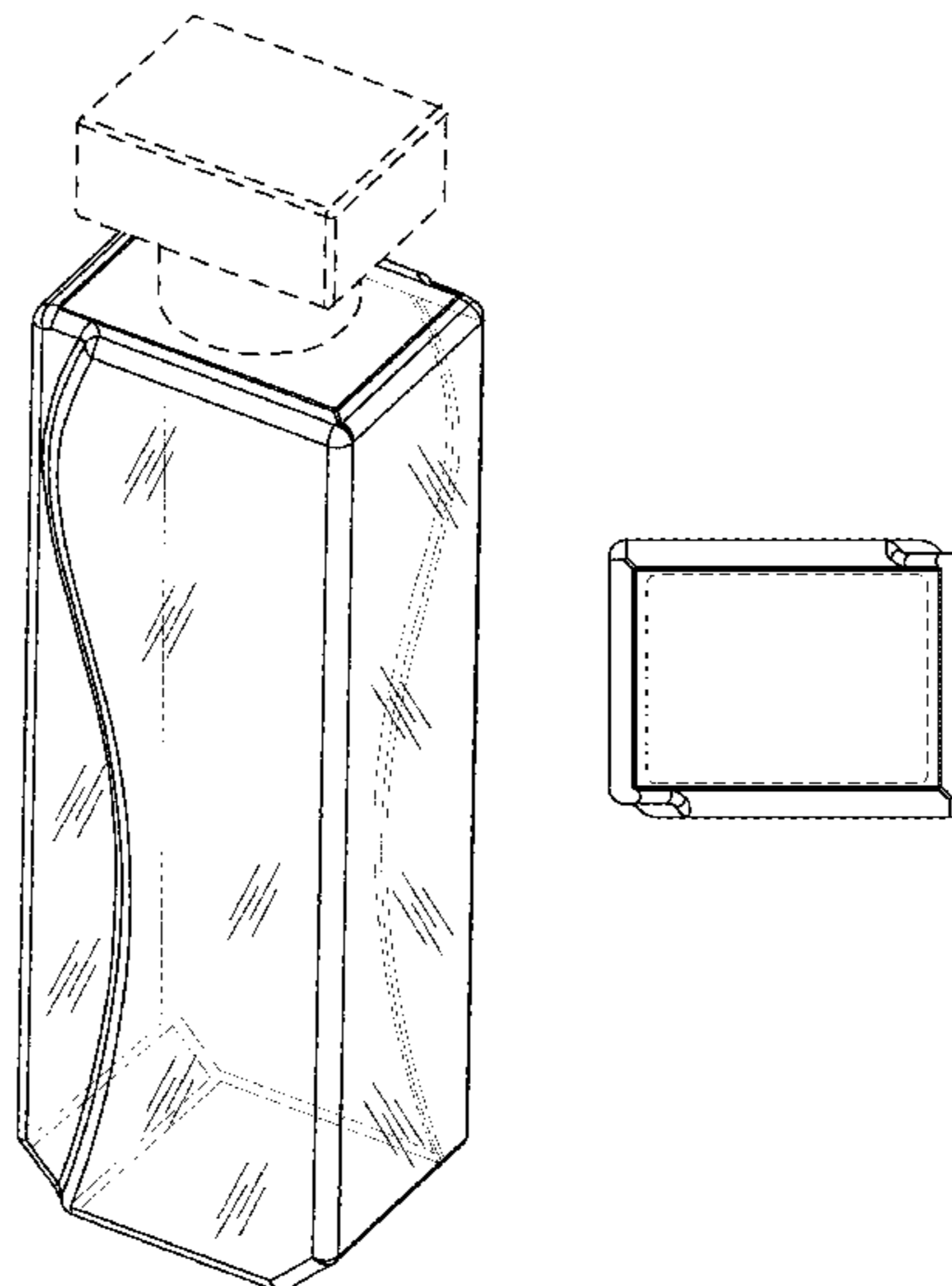
(57) **CLAIM**

The ornamental design for a bottle, as shown and described.

DESCRIPTION

FIG. 1 is a top, front, and right side perspective view of a Bottle in accordance with the present invention;
 FIG. 2 is a front elevational view thereof, the rear elevational view being identical;
 FIG. 3 is a right side elevational view thereof, the left side elevational view being identical; and,
 FIG. 4 is a top plan view thereof.
 The broken lines in the drawings are included for the purpose of illustrating environmental structure and form no part of the claimed design.

1 Claim, 4 Drawing Sheets



US D680,872 S

Page 2

U.S. PATENT DOCUMENTS

D535,567 S	1/2007	Snyder	
D539,662 S *	4/2007	Sanchez Lascaux D9/560
D545,682 S	7/2007	Mongeon et al.	
D551,082 S *	9/2007	Kakhniadze et al. D9/530
D552,479 S	10/2007	Mongeon et al.	
D553,004 S *	10/2007	Krakoff D9/694
D556,586 S	12/2007	Mongeon et al.	
D558,578 S	1/2008	Mongeon et al.	
D561,593 S *	2/2008	Gomez D9/529
D564,898 S *	3/2008	McGuinness D9/687
D568,162 S	5/2008	Mongeon et al.	
D571,669 S	6/2008	Ginsberg et al.	
D573,890 S	7/2008	Mongeon et al.	
D579,782 S	11/2008	Reinoso	
D587,127 S	2/2009	Moreira et al.	
D589,810 S	4/2009	van der Krogt et al.	
D590,268 S	4/2009	Floyd et al.	
D592,063 S	5/2009	Floyd et al.	
D596,039 S	7/2009	Zhou	
D601,900 S	10/2009	Phemster	
D602,787 S *	10/2009	Gaultier D9/572
D606,872 S	12/2009	Kertesz	
D608,212 S	1/2010	Weyland et al.	
D609,096 S	2/2010	Floyd	
D626,844 S	11/2010	Shi	
D628,491 S *	12/2010	Themann D9/544
D632,582 S	2/2011	Kuzma et al.	
D632,969 S	2/2011	Monteparo et al.	
D633,806 S *	3/2011	Lecoule D9/574 X
D637,916 S	5/2011	McNabb et al.	
D643,728 S	8/2011	Rafizadeh	
D655,612 S *	3/2012	Oge-Nichols D9/560 X
D670,176 S *	11/2012	Monteparo et al. D9/560 X

* cited by examiner

FIG. 1

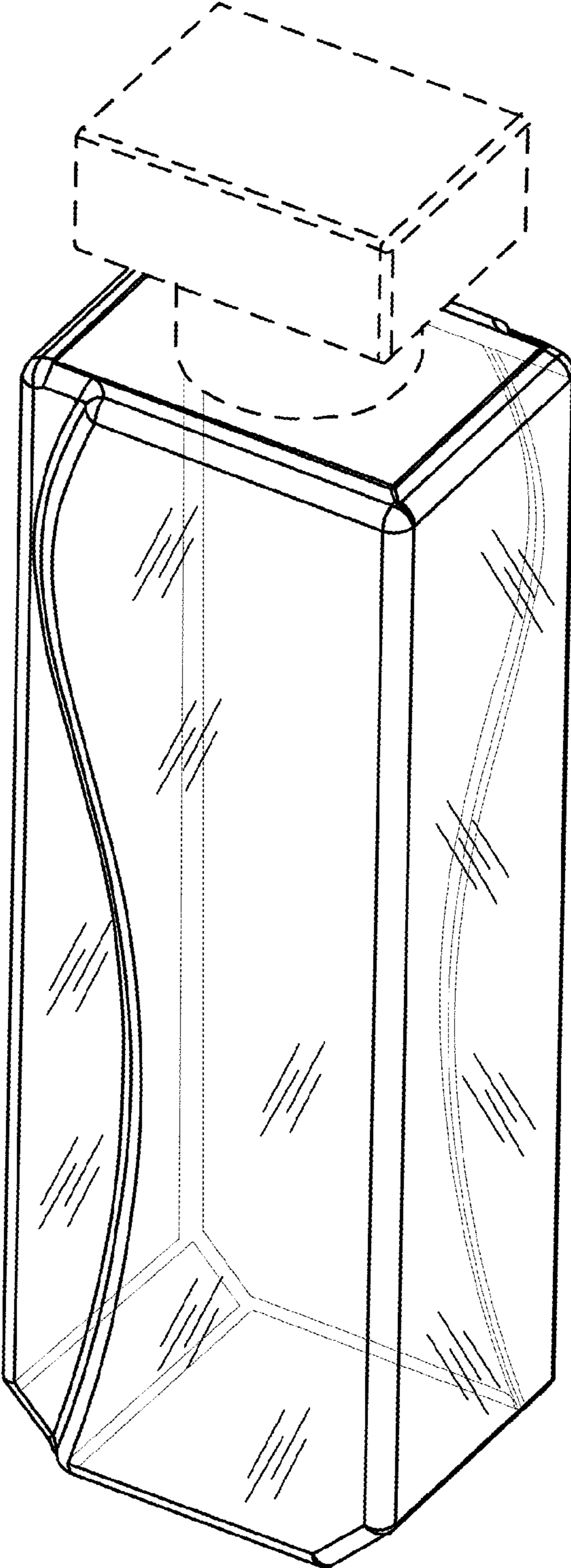


FIG. 2

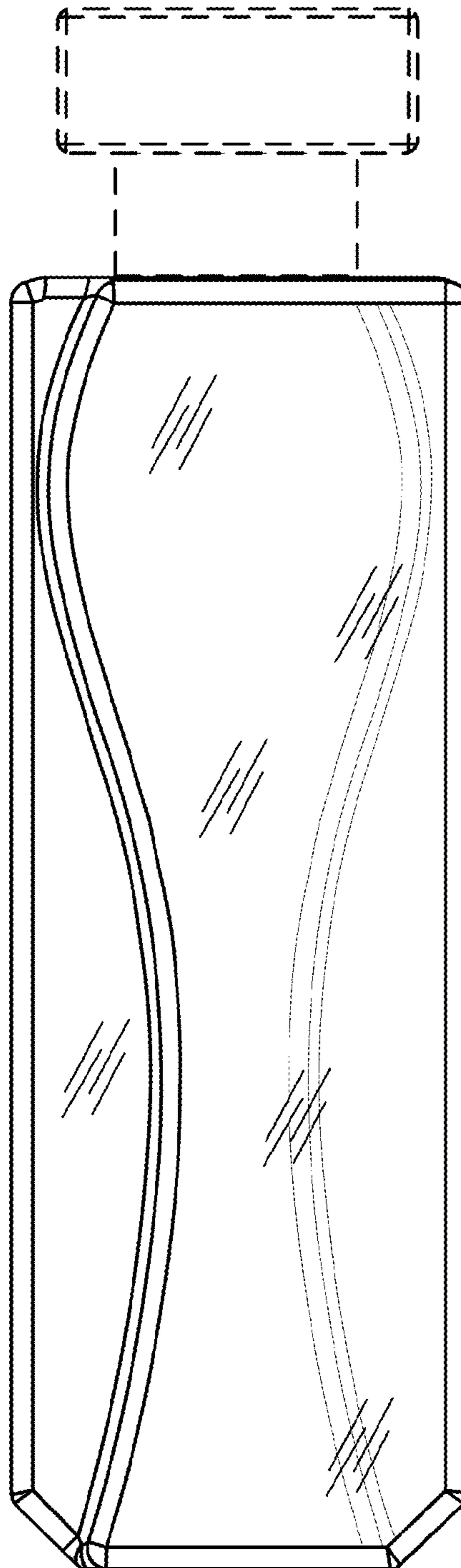


FIG. 3

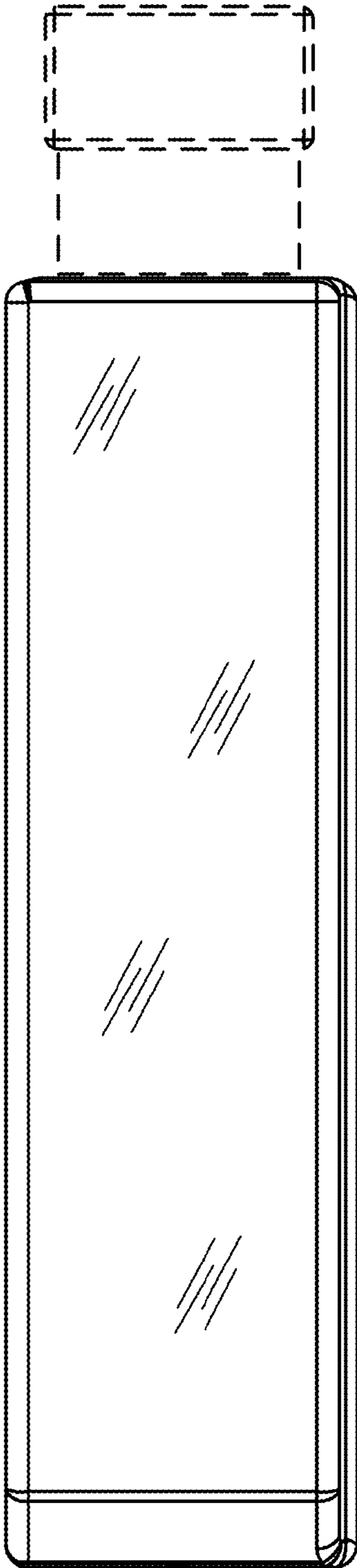


FIG. 4

