



US00D680870S

(12) **United States Design Patent**
Oeser et al.

(10) **Patent No.:** **US D680,870 S**
(45) **Date of Patent:** **** Apr. 30, 2013**

(54) **DISPENSER HEAD**

Primary Examiner — Susan Bennett Hattan

(75) Inventors: **Felix Oeser**, Schoenberg (DE); **Andrea Selinger**, Luebeck (DE)

(74) *Attorney, Agent, or Firm* — Collard & Roe, P.C.

(73) Assignee: **LINDEL Dispenser GmbH**, Schoenburg (DE)

(57) **CLAIM**

The ornamental design for a dispenser head, as shown and described.

(**) Term: **14 Years**

DESCRIPTION

(21) Appl. No.: **29/425,282**

(22) Filed: **Jun. 21, 2012**

(30) **Foreign Application Priority Data**

Dec. 22, 2011 (EM) 001966847

(51) **LOC (9) Cl.** **09-07**

(52) **U.S. Cl.**
USPC **D9/448; D9/449; D9/450**

(58) **Field of Classification Search** D9/724,
D9/688, 686, 454, 450, 449, 448, 447, 435,
D9/434; D28/7; 239/333; 222/95, 536,
222/402.1, 153.14, 153.05, 153.04; 220/200;
215/200

See application file for complete search history.

(56) **References Cited**

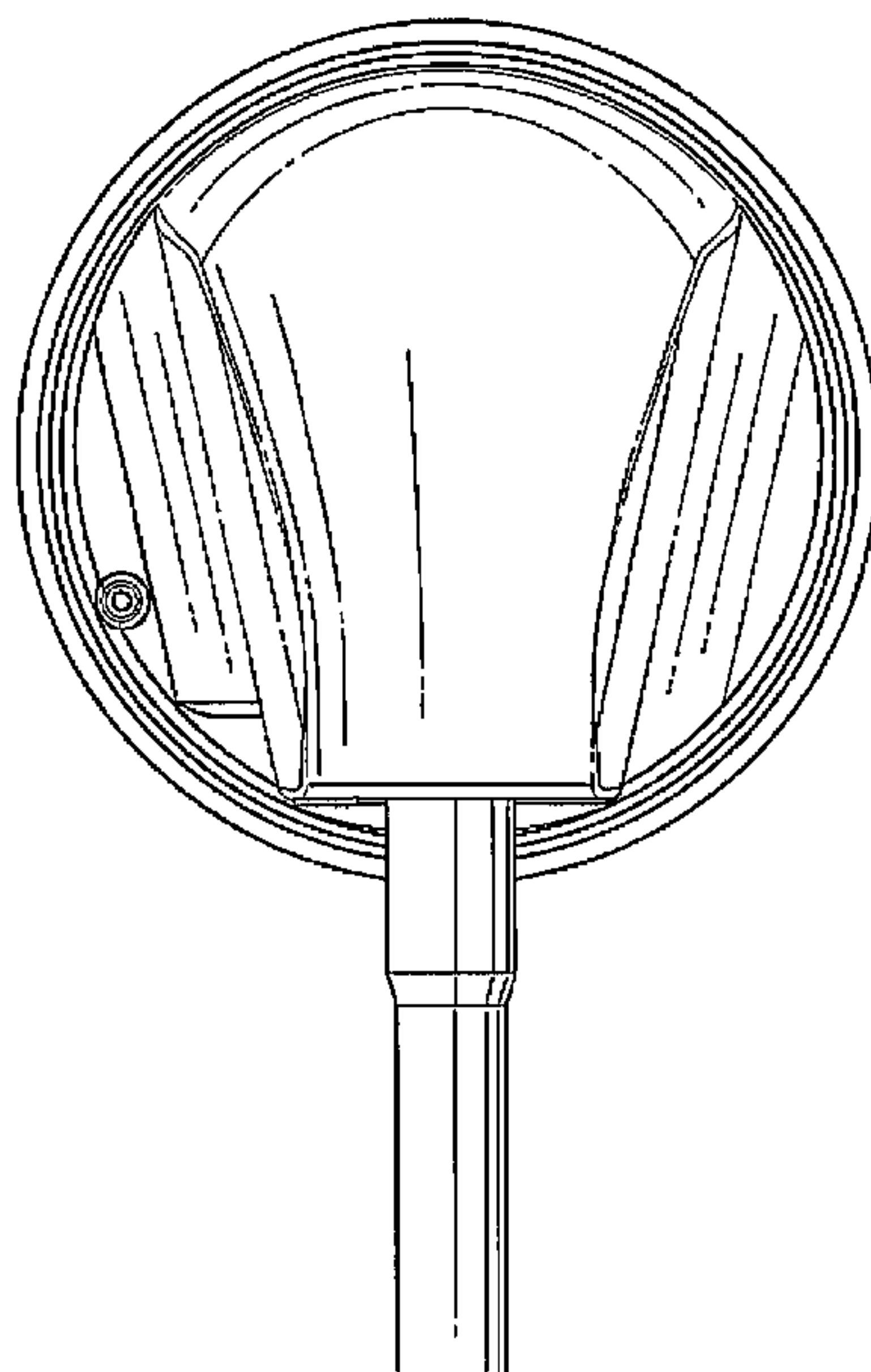
U.S. PATENT DOCUMENTS

D193,955 S *	10/1962	Alexander	D9/724
D204,326 S *	4/1966	Wilson	D9/450
D366,834 S *	2/1996	Reid	D9/447
D368,856 S *	4/1996	Peay	D9/447
D519,372 S *	4/2006	Hsieh	D9/448
7,300,001 B2 *	11/2007	Kuo	239/333
D592,055 S *	5/2009	Goulet	D9/445
D613,830 S *	4/2010	Mannoia	D23/266

* cited by examiner

FIG. 1 is a top view of one embodiment of our design for a dispenser head with the nozzle in the extended position; FIG. 2 is a top view thereof, with the nozzle in the folded position; FIG. 3 is top, front and side perspective view thereof, with the nozzle in the extended position; FIG. 4 is a top, front and side perspective view thereof, with the nozzle in the folded position; FIG. 5 is a front view thereof, with the nozzle in the extended position; FIG. 6 is a front view thereof, with the nozzle in the folded position; FIG. 7 is a top view of another embodiment of our design for a dispenser head with the nozzle in the extended position; FIG. 8 is a top view thereof, with the nozzle in the folded position; FIG. 9 is top, front and side perspective view thereof, with the nozzle in the extended position; FIG. 10 is a top, front and side perspective view thereof, with the nozzle in the folded position; FIG. 11 is a front view thereof, with the nozzle in the extended position; and, FIG. 12 is a front view thereof, with the nozzle in the folded position. The areas shown in broken lines show environmental structure and form no part of the claimed design.

1 Claim, 6 Drawing Sheets



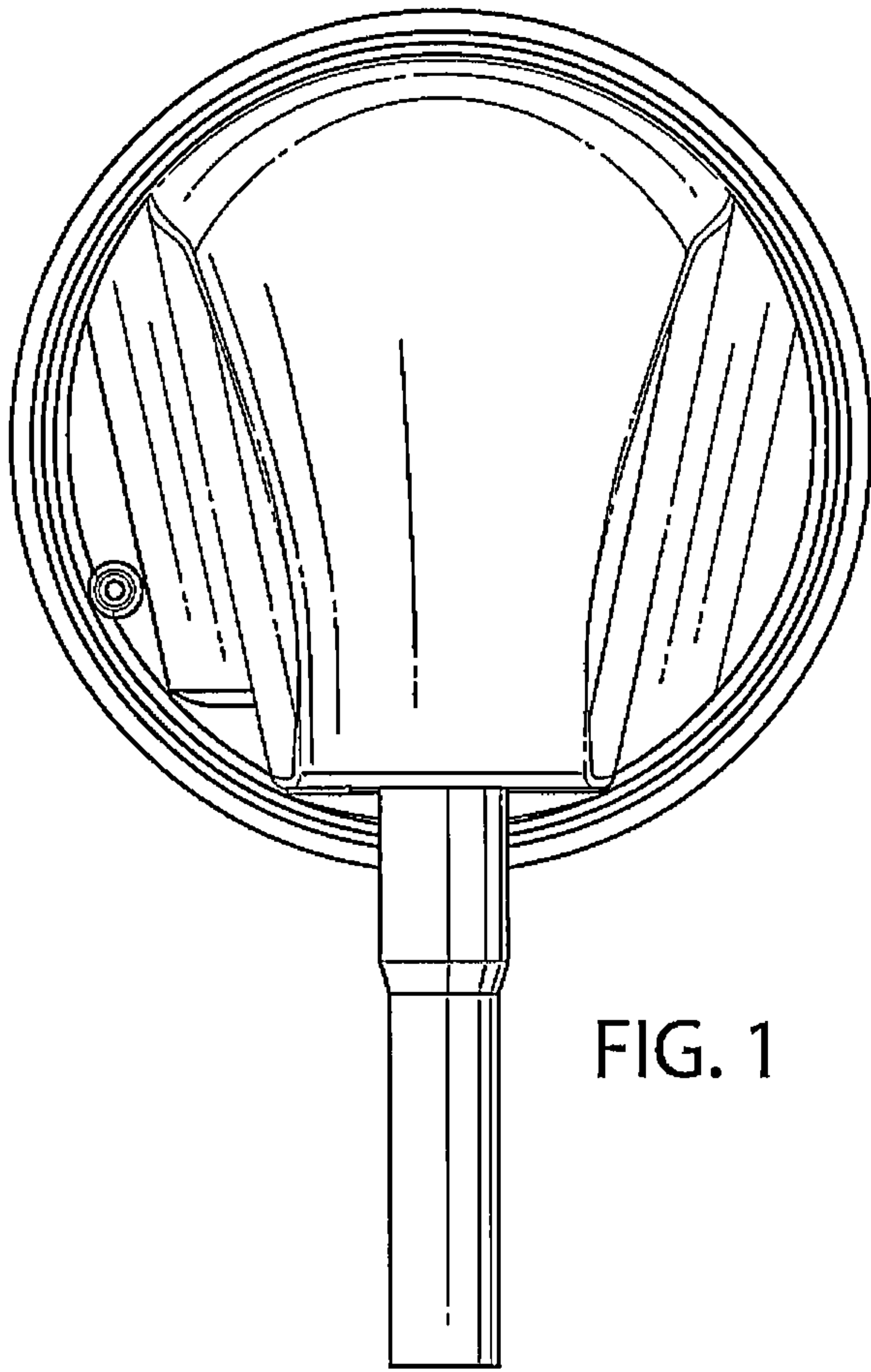


FIG. 1

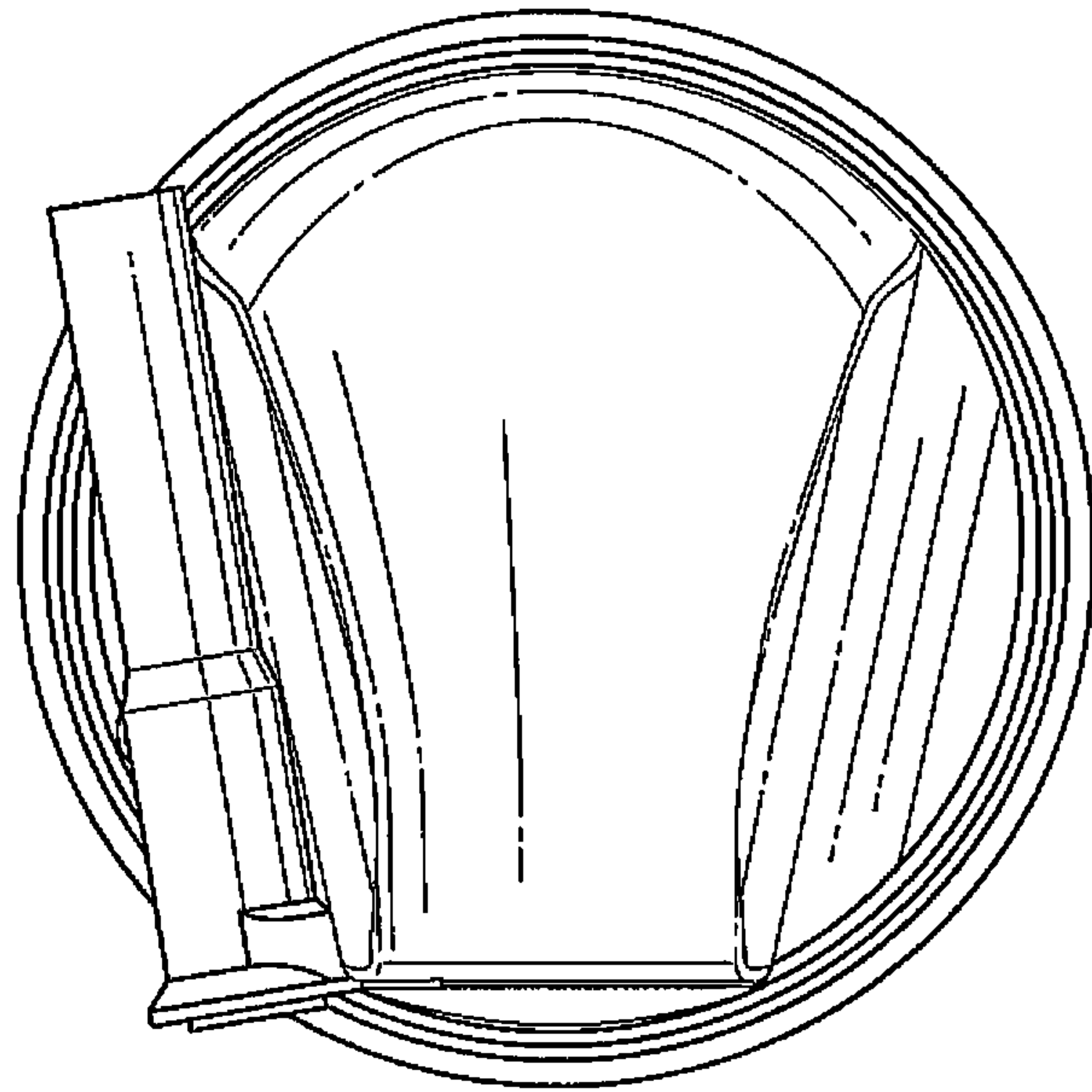


FIG. 2

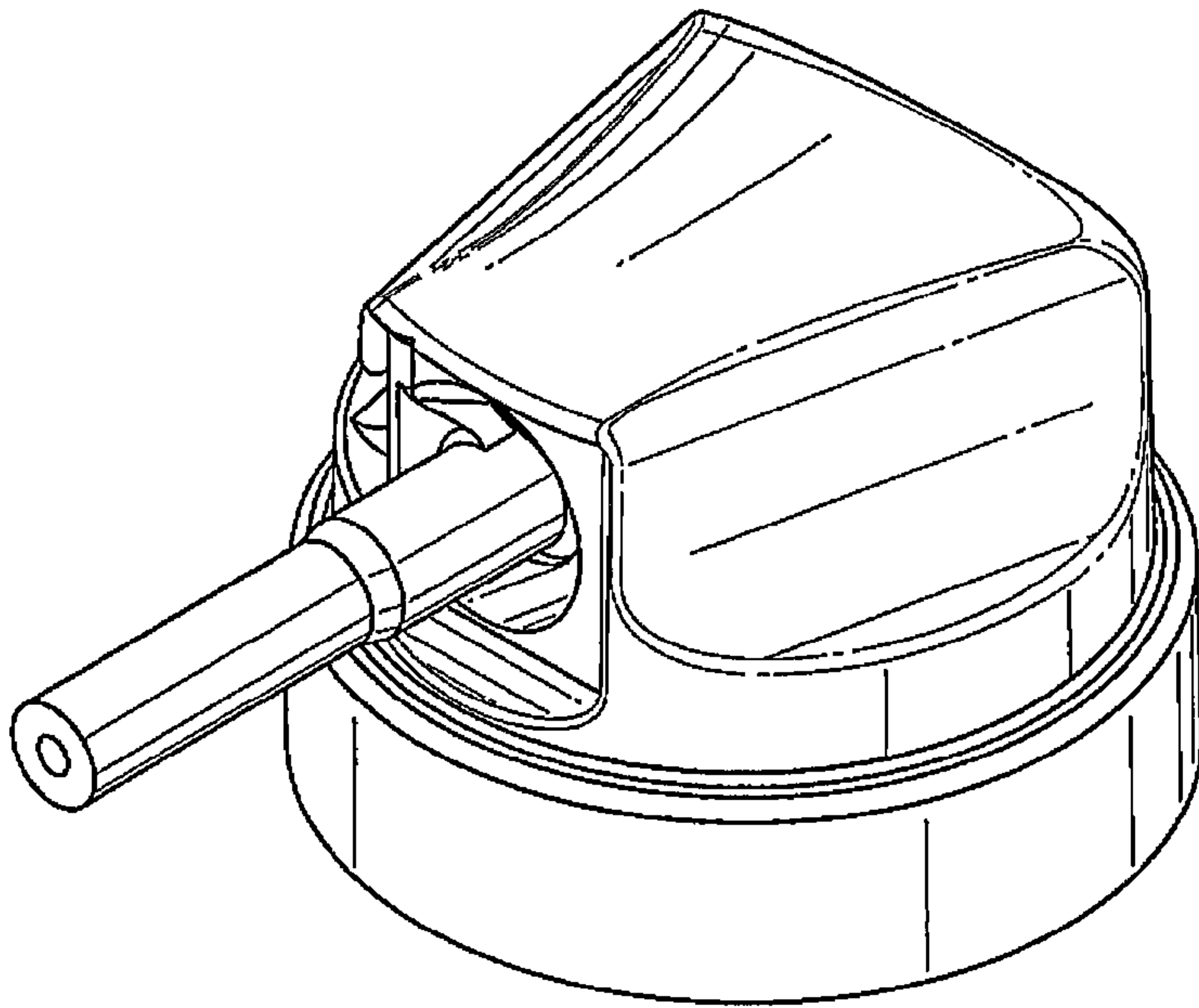


FIG. 3

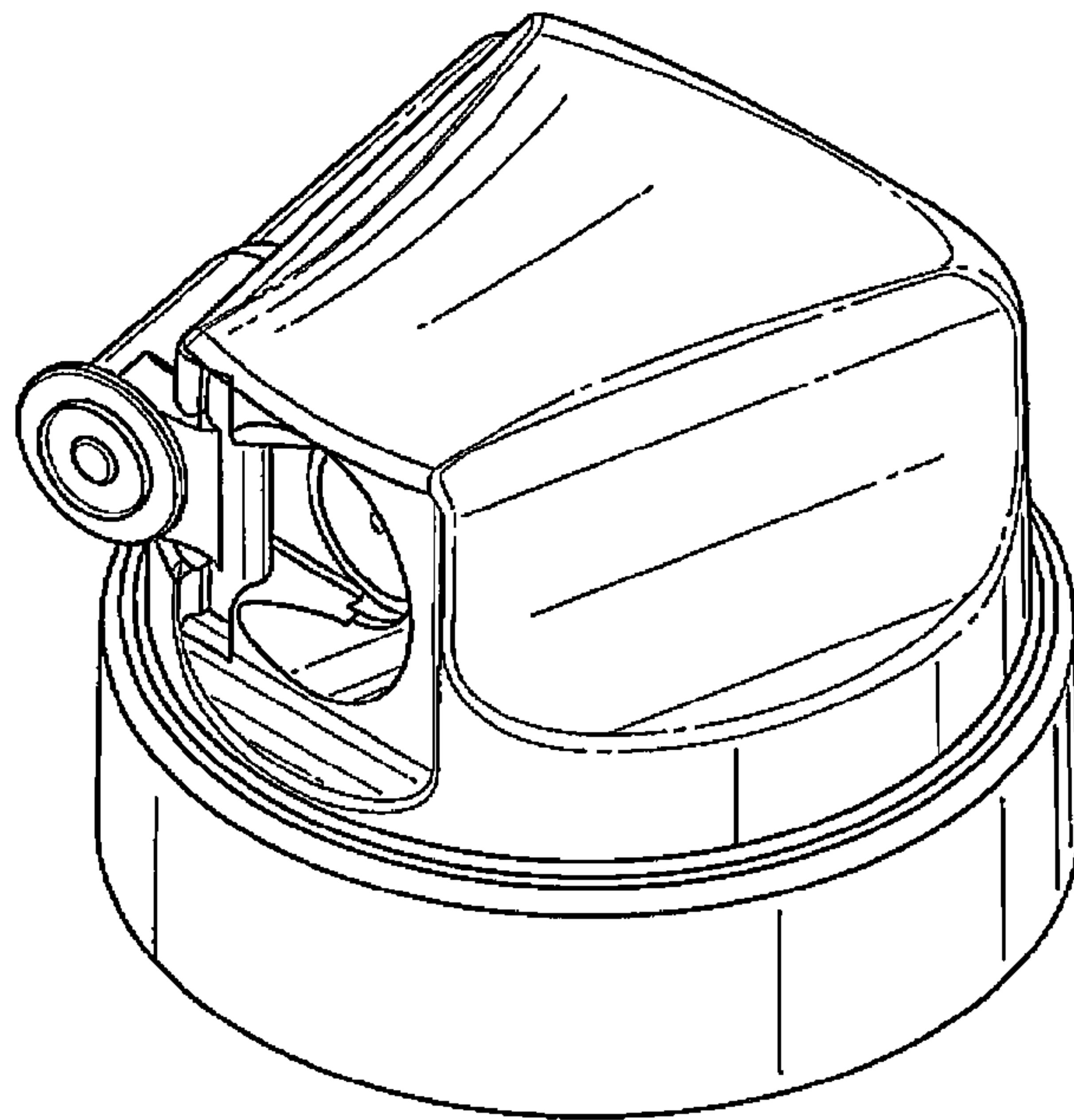


FIG. 4

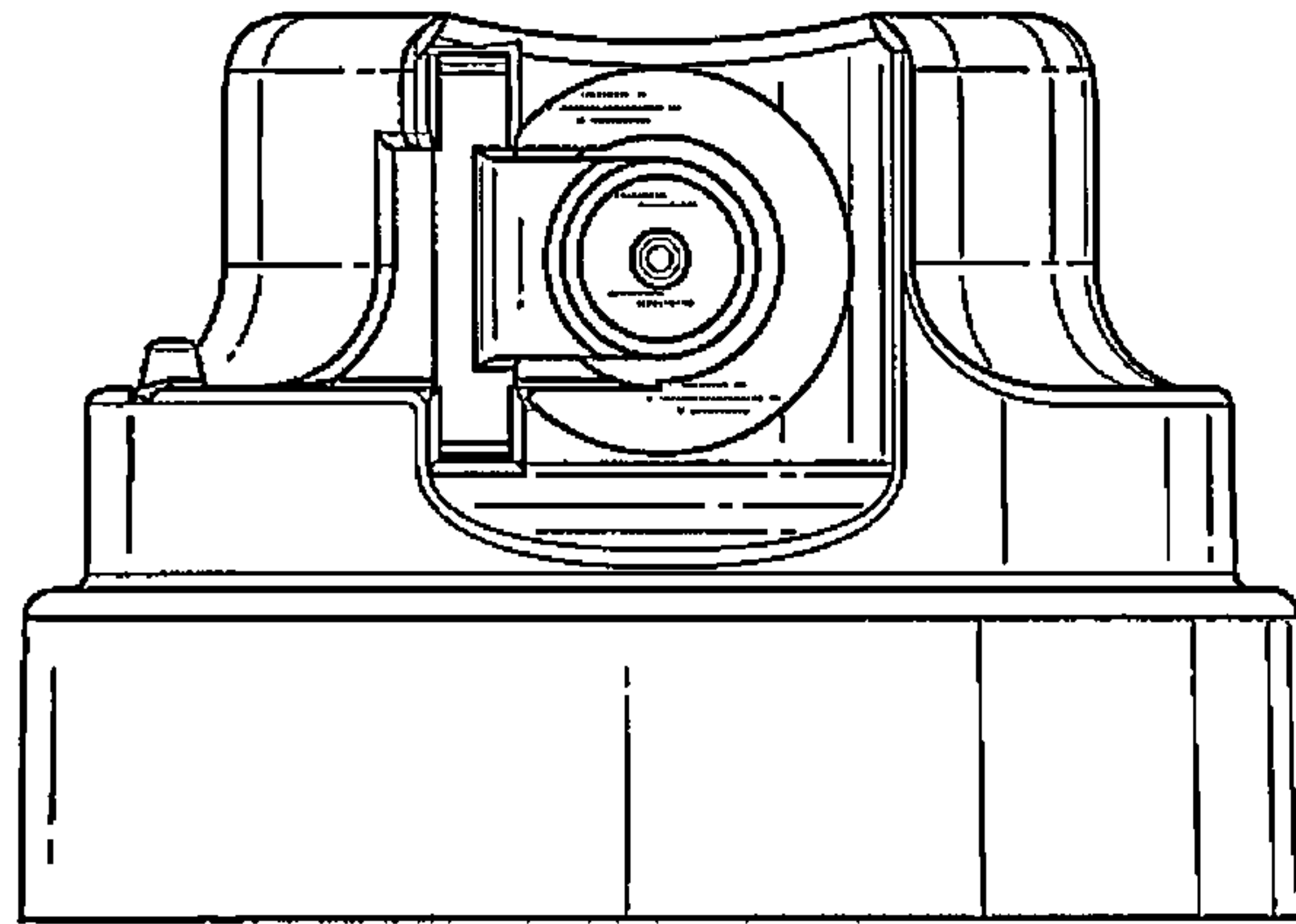


FIG. 5

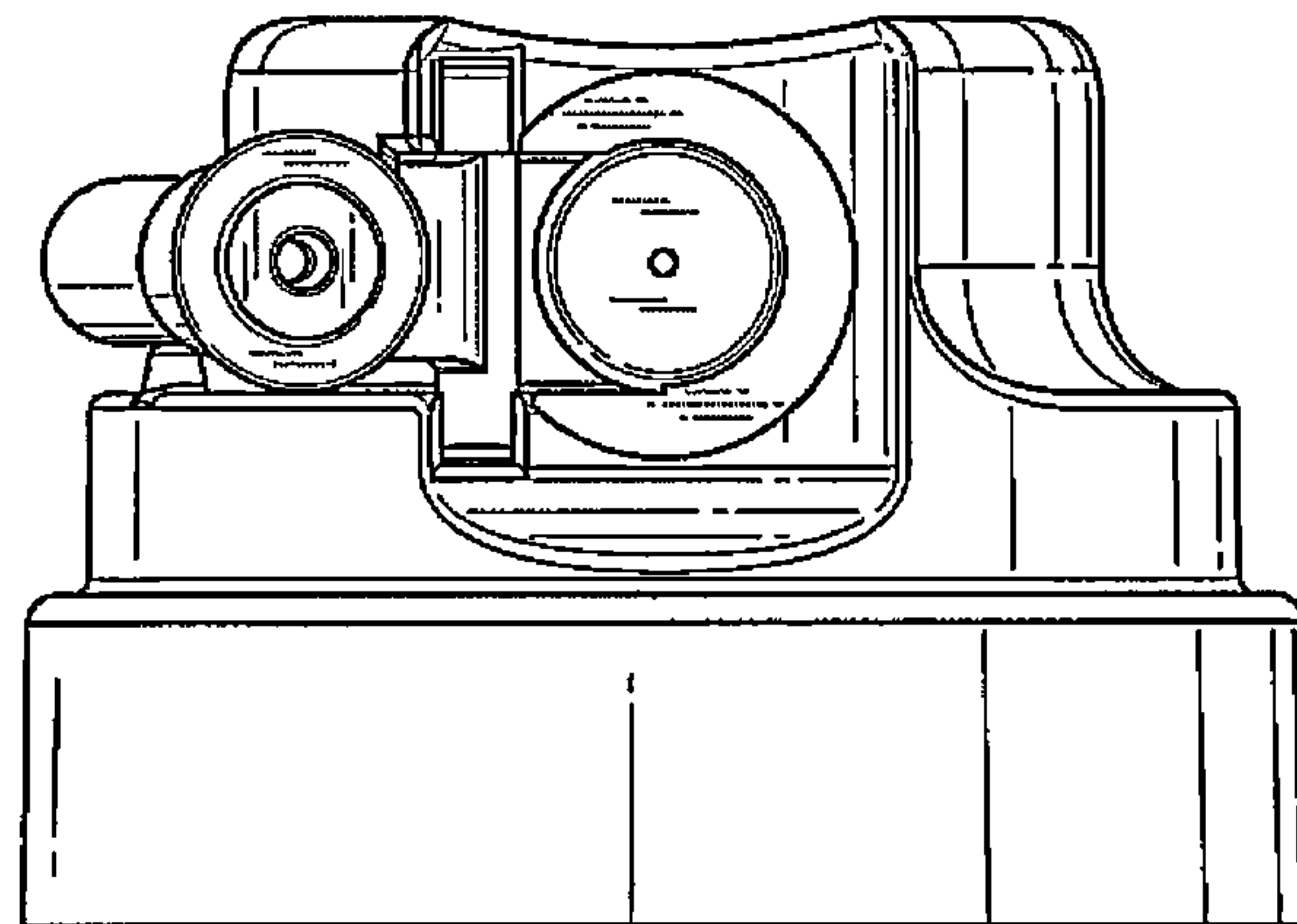


FIG. 6

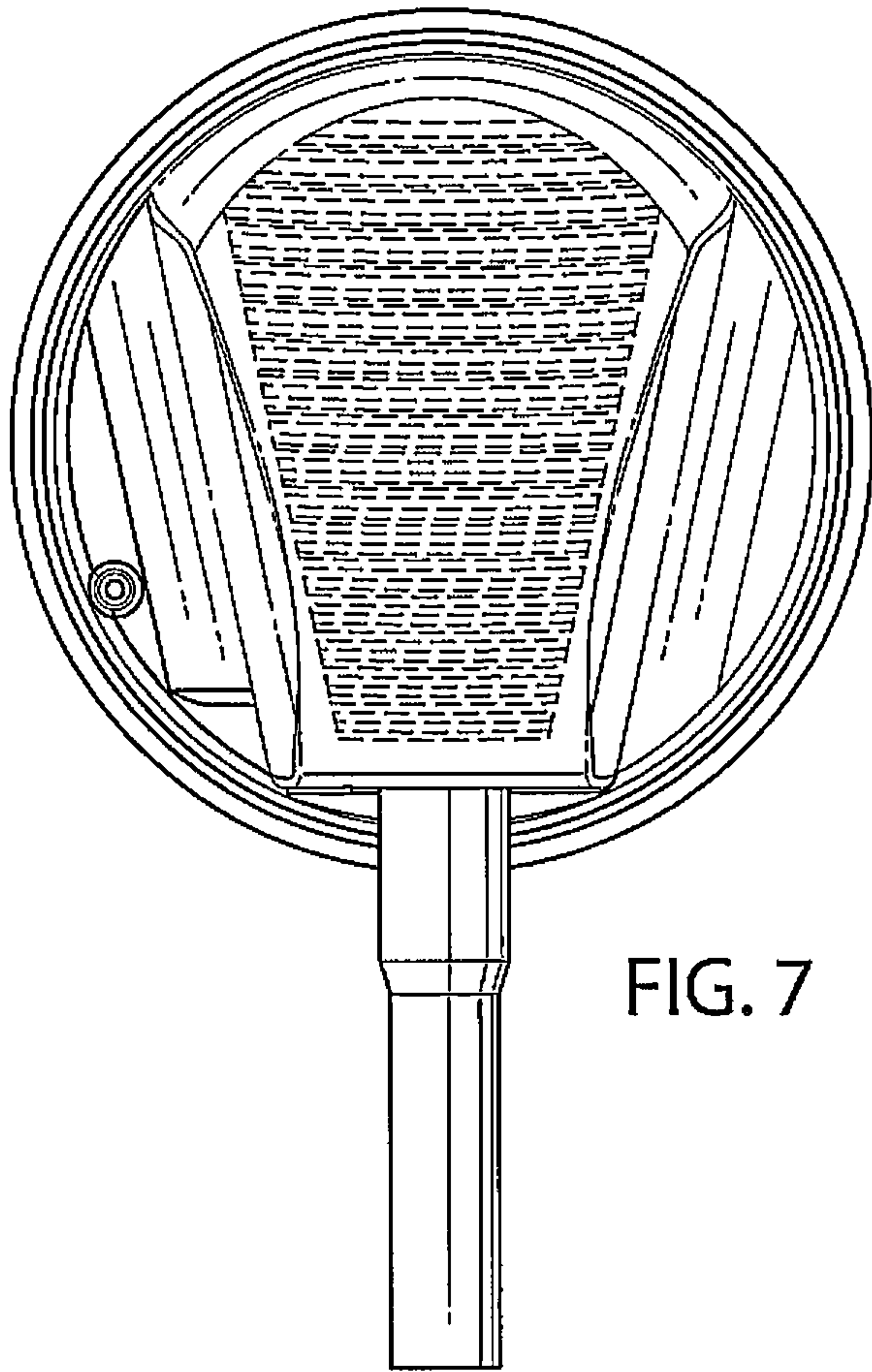


FIG. 7

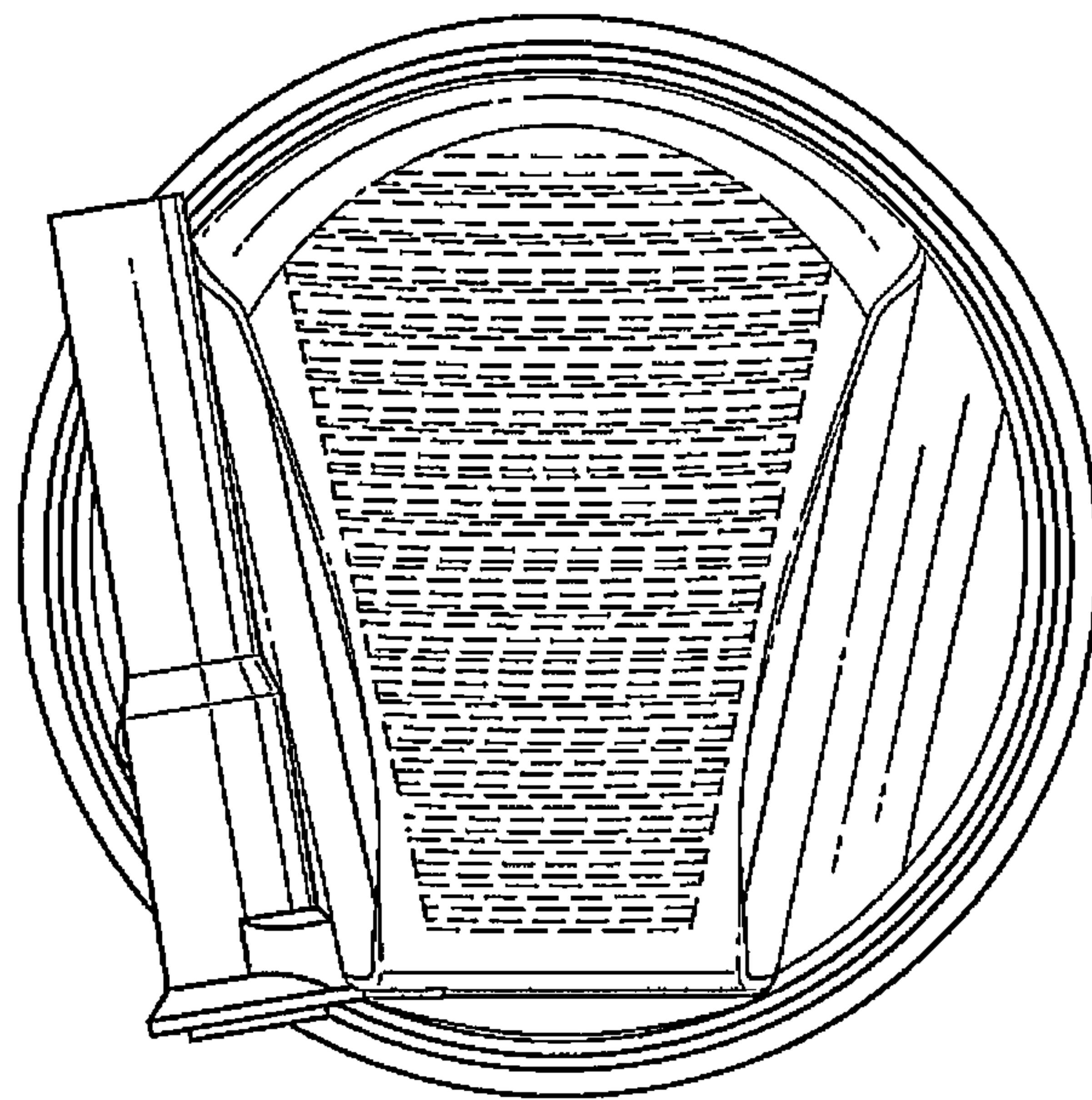


FIG. 8

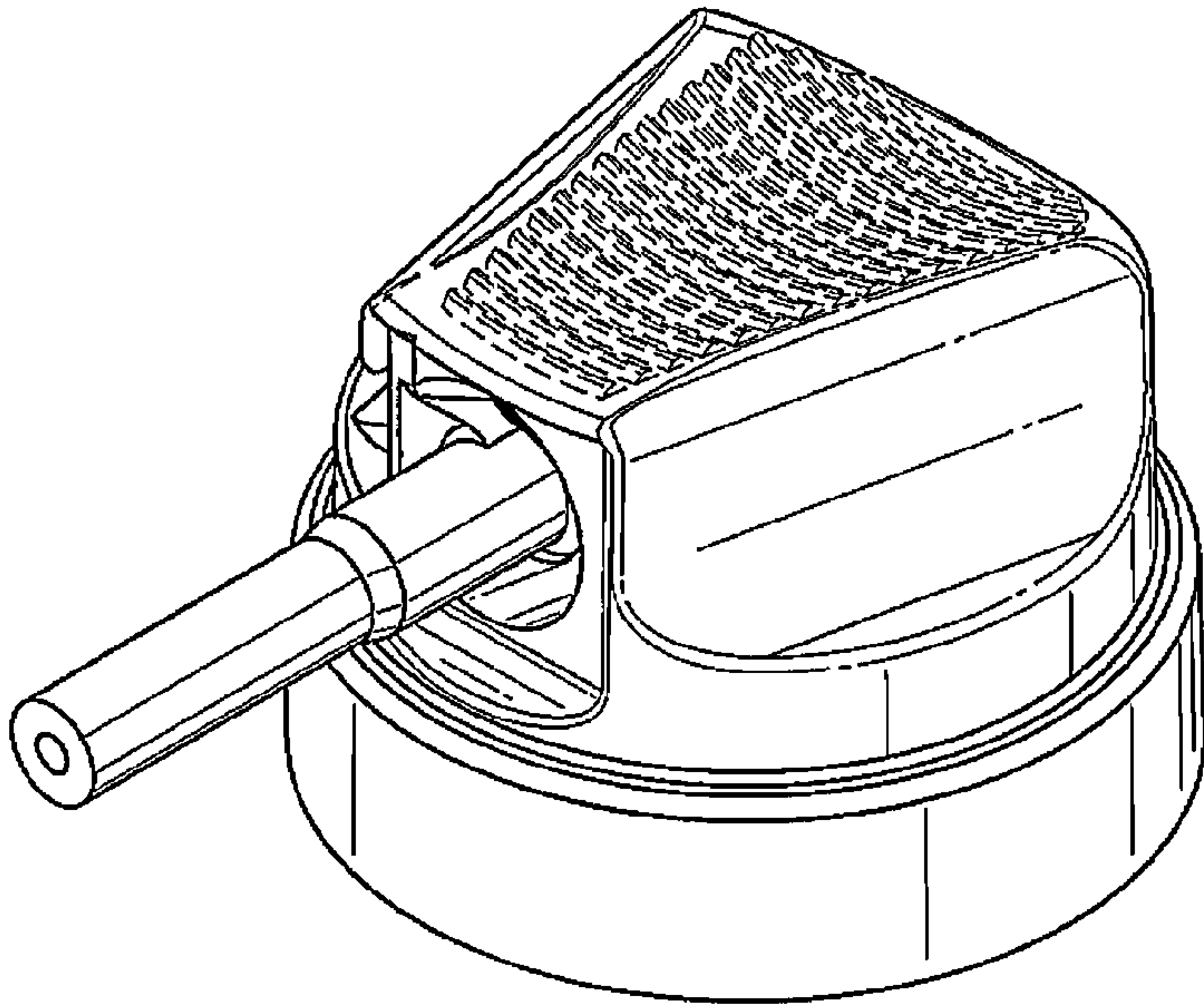


FIG. 9

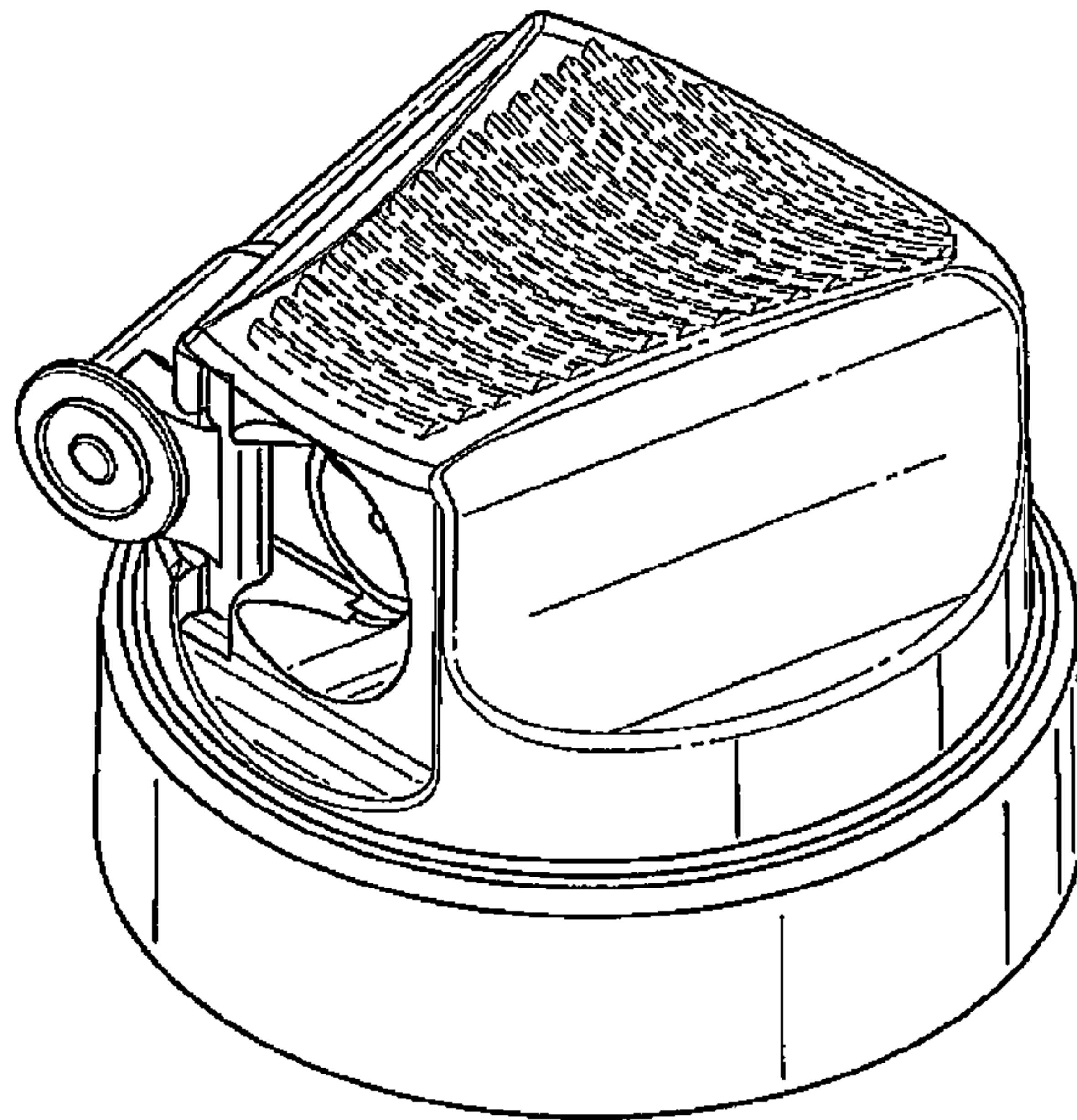


FIG. 10

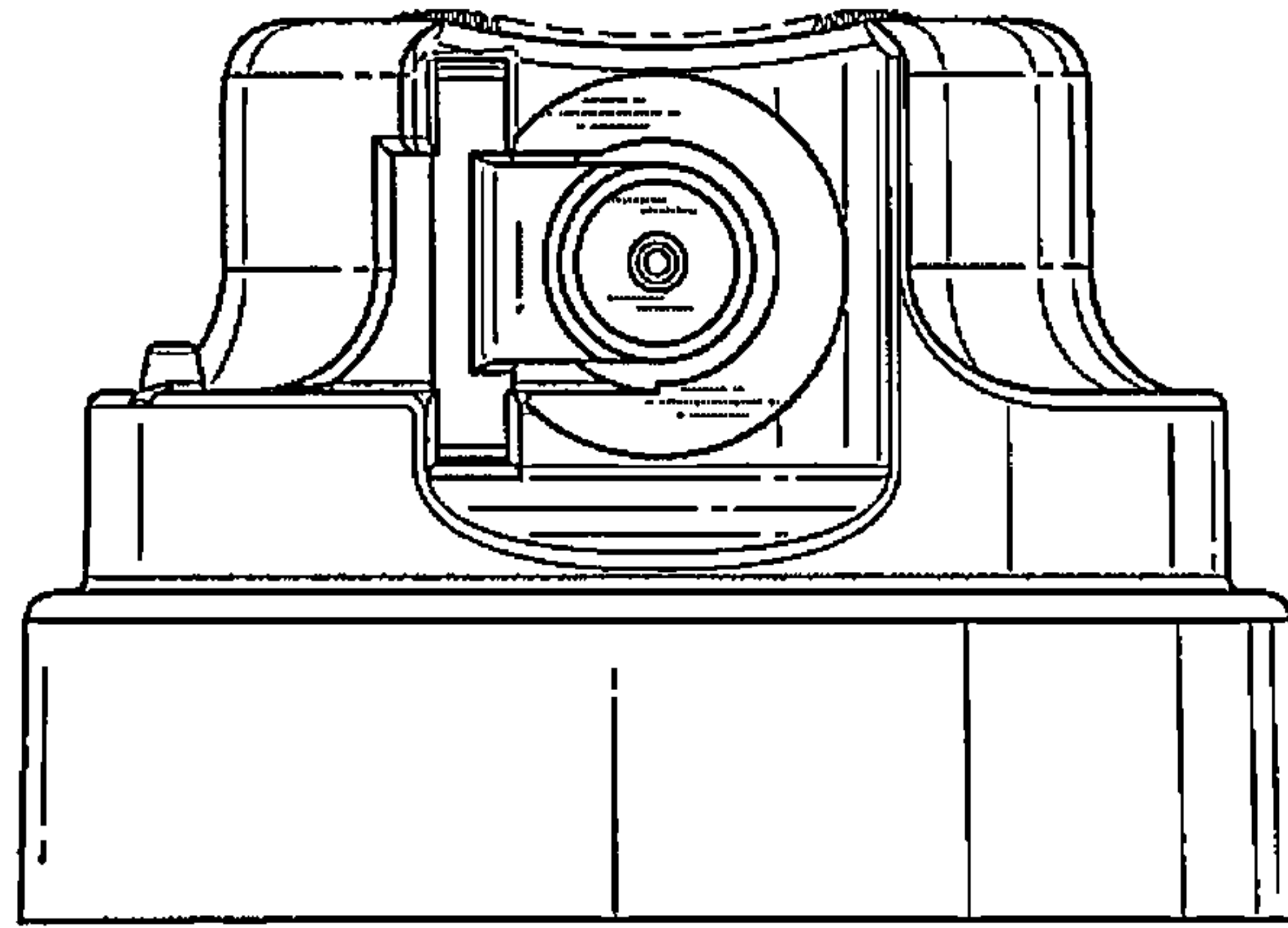


FIG. 11

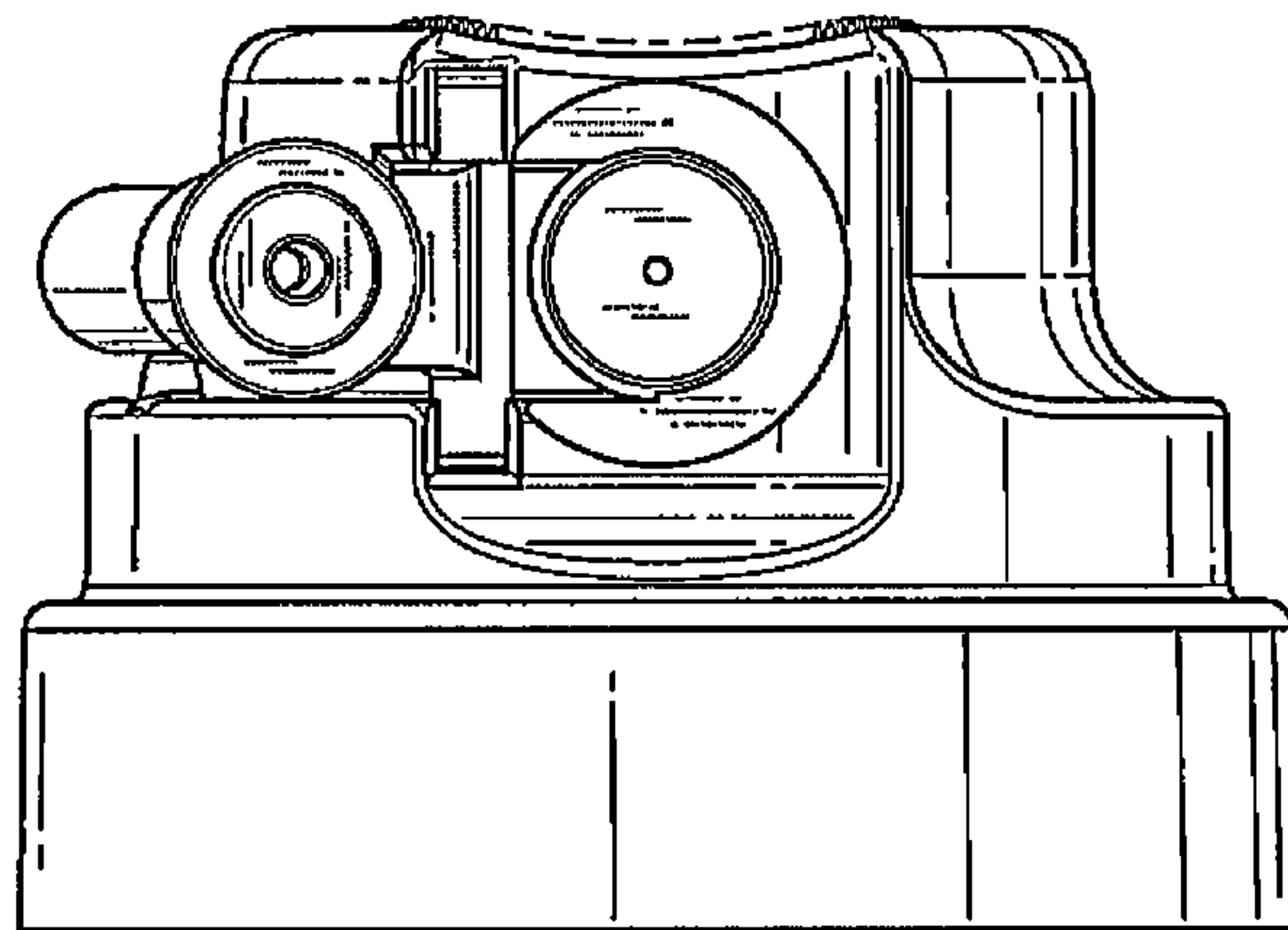


FIG. 12