



US00D680868S

(12) **United States Design Patent**  
**Neumann et al.**

(10) **Patent No.:** **US D680,868 S**  
(45) **Date of Patent:** **\*\* Apr. 30, 2013**

(54) **CLOSURE**

(75) Inventors: **Peter M. Neumann**, Racine, WI (US);  
**Paul J. C. Franssen**, Wilnis (NL); **David J. Keyes**, Eau Claire, WI (US); **Katie A. Remaly**, Eau Claire, WI (US); **Robert G. Fehr**, Colfax, WI (US); **Andrew Jerald Janetski**, Menomonie, WI (US); **Scott A. Olson**, Chippewa Falls, WI (US)

(73) Assignee: **S.C. Johnson & Son, Inc.**, Racine, WI (US)

(\*\*) Term: **14 Years**

(21) Appl. No.: **29/425,563**

(22) Filed: **Jun. 25, 2012**

(51) **LOC (9) Cl.** ..... **09-07**

(52) **U.S. Cl.**  
USPC ..... **D9/443; D9/453**

(58) **Field of Classification Search** ..... D9/453,  
D9/452, 451, 443, 439, 432, 420; D7/628,  
D7/392.1; D24/115; D12/197; D11/157;  
229/125.04, 125.09, 117.3; 222/498, 481;  
220/786, 269-270, 254.1, 228; 215/355-364,  
215/247, 235; 206/423

See application file for complete search history.

(56) **References Cited**

U.S. PATENT DOCUMENTS

D94,835	S	*	3/1935	Jonsson	.....	D9/443
D138,952	S	*	9/1944	Sapery	.....	D9/453
D418,060	S	*	12/1999	De Villiers	.....	D9/443
D471,455	S	*	3/2003	Laveault et al.	.....	D9/443
D581,268	S	*	11/2008	Heath et al.	.....	D9/443
D621,707	S	*	8/2010	Breckan	.....	D9/443
D636,264	S	*	4/2011	Wassum et al.	.....	D9/453
D667,728	S	*	9/2012	Toh et al.	.....	D9/516

FOREIGN PATENT DOCUMENTS

EM	000994462-0001	10/2008
EM	000994462-0002	10/2008
EM	000994462-0003	10/2008
EM	000994462-0004	10/2008
EM	000994462-0005	10/2008
EM	001638495-0004	2/2010
EM	001924937-0001	10/2011

\* cited by examiner

*Primary Examiner* — Susan Bennett Hattan

(57) **CLAIM**

We claim the ornamental design for a closure, as shown and described.

**DESCRIPTION**

FIG. 1 is a right, top, front perspective view of an embodiment of the claimed design;

FIG. 2 is a top plan view of the claimed design of FIG. 1;

FIG. 3 is a bottom plan view of the claimed design of FIG. 1;

FIG. 4 is a front elevation view of the claimed design of FIG. 1;

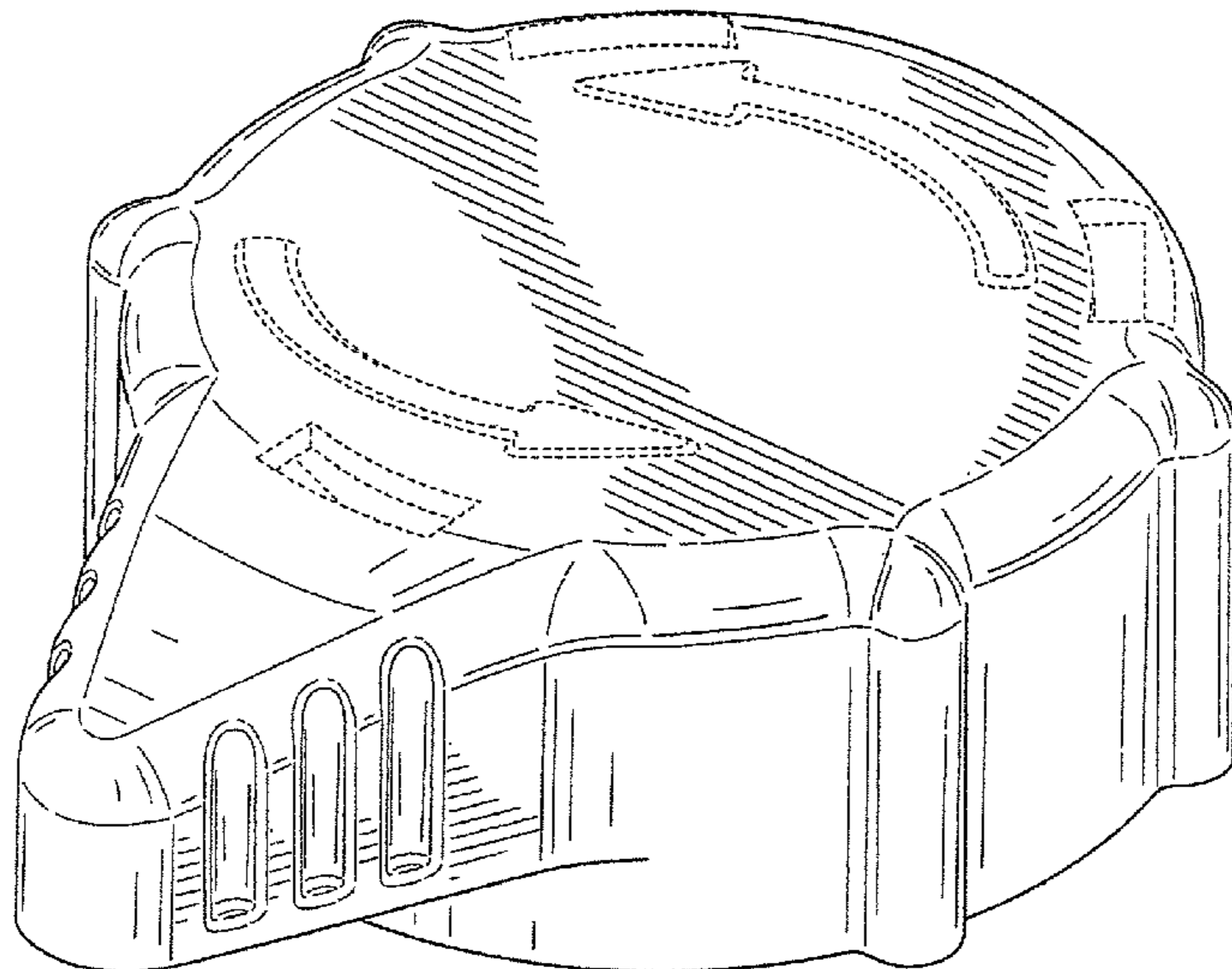
FIG. 5 is a rear elevation view of the claimed design of FIG. 1;

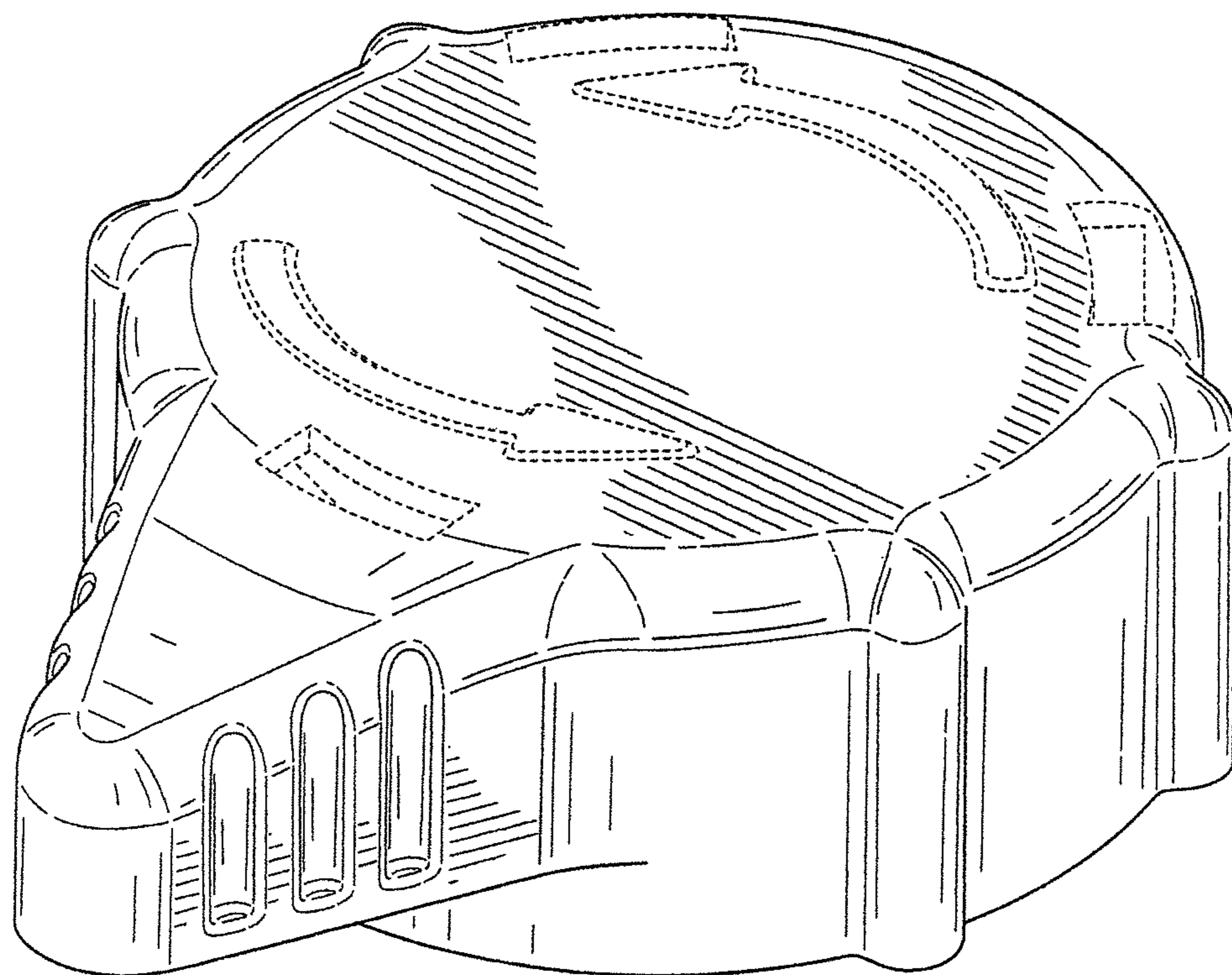
FIG. 6 is a left-side elevation view of the claimed design of FIG. 1; and,

FIG. 7 is a right-side elevation view of the claimed design of FIG. 1.

The ornamental design which is claimed is shown in solid lines in the drawings. The broken lines in the drawings are for illustrative purposes only and form no part of the claimed design. Any dash-dash broken lines in the drawings are for the purpose of illustrating unclaimed surfaces or environment of the design.

**1 Claim, 5 Drawing Sheets**





*FIG. 1*

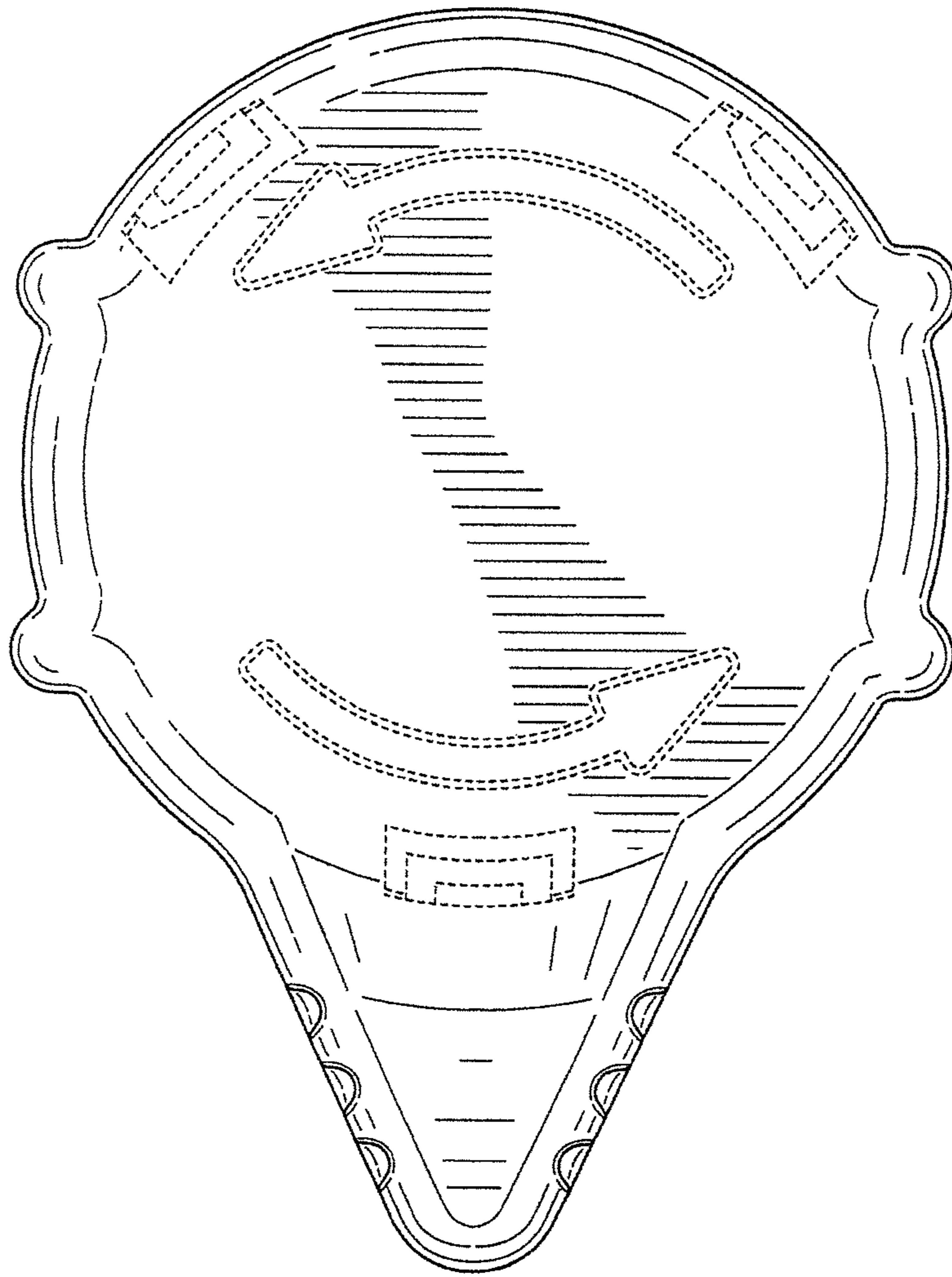
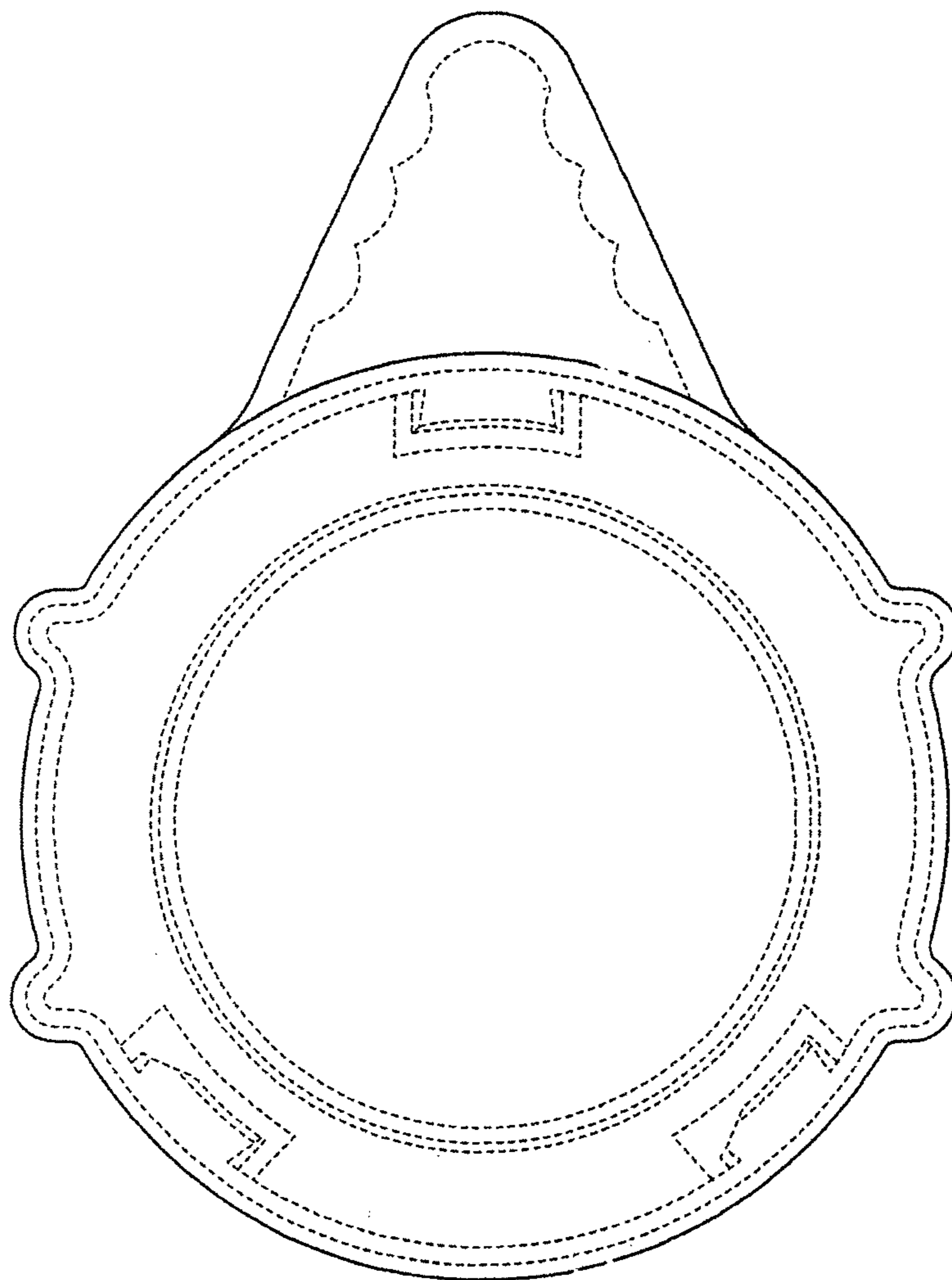


FIG. 2



**FIG. 3**

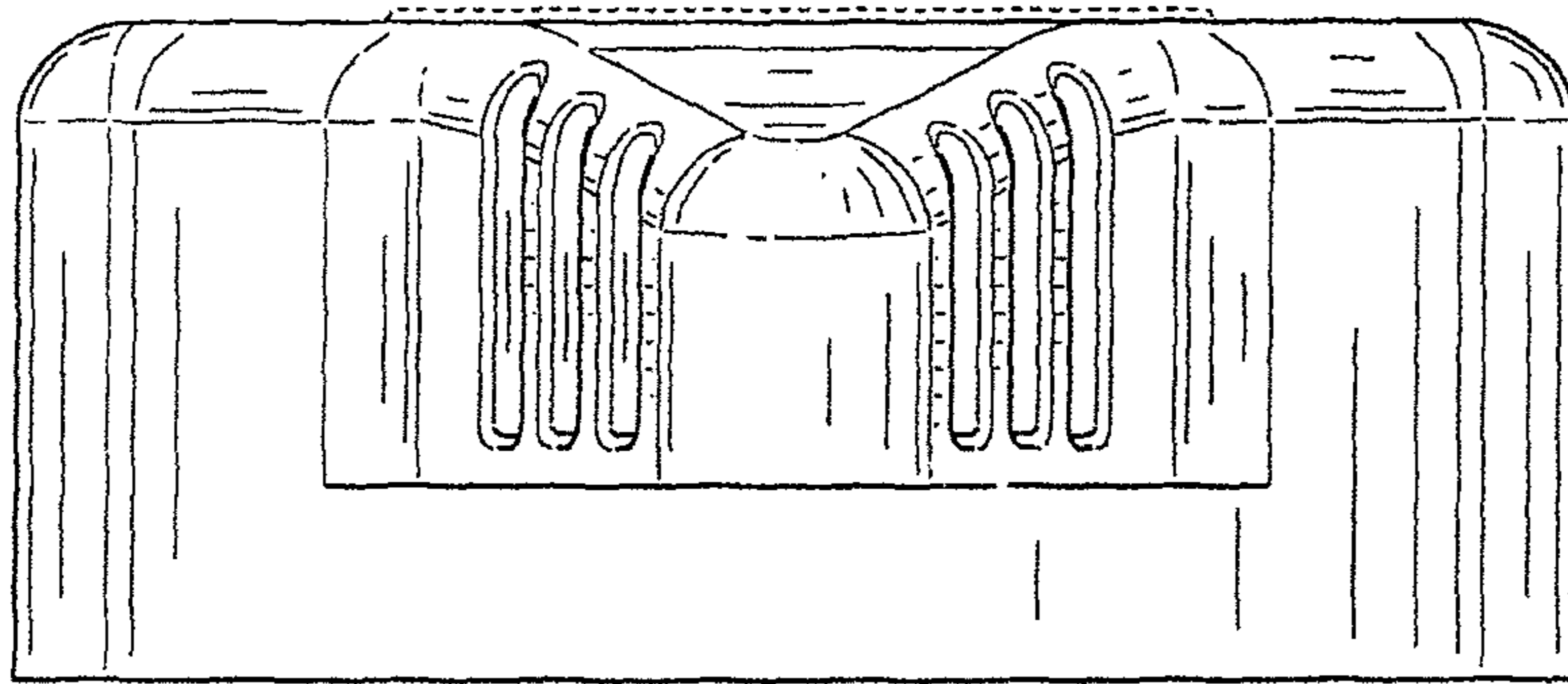


FIG. 4

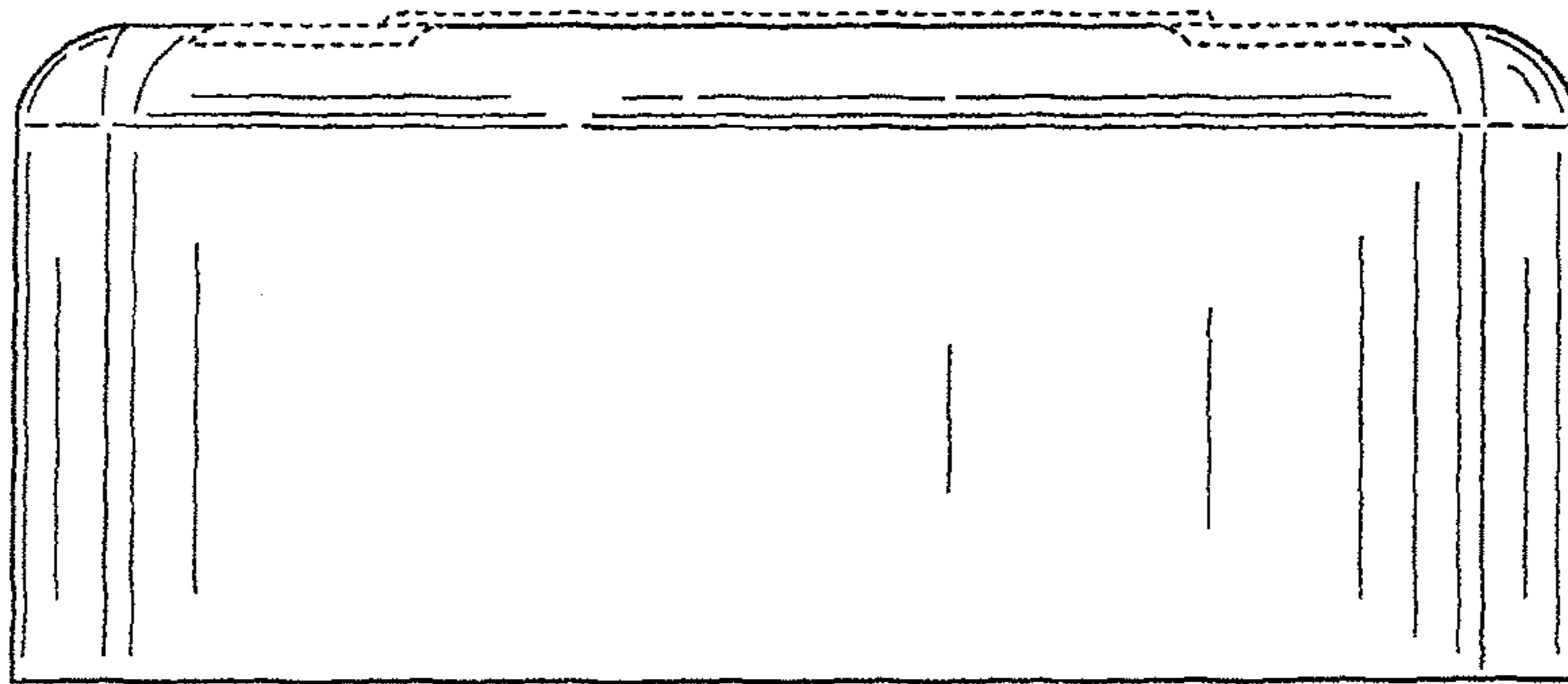


FIG. 5

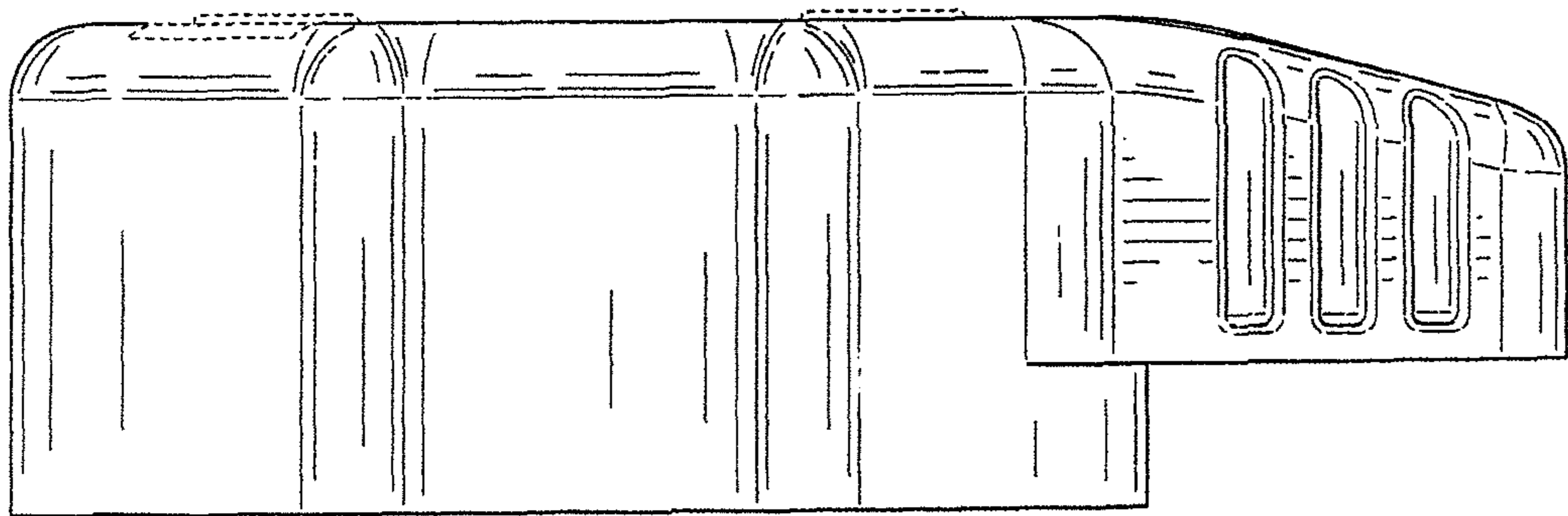


FIG. 6

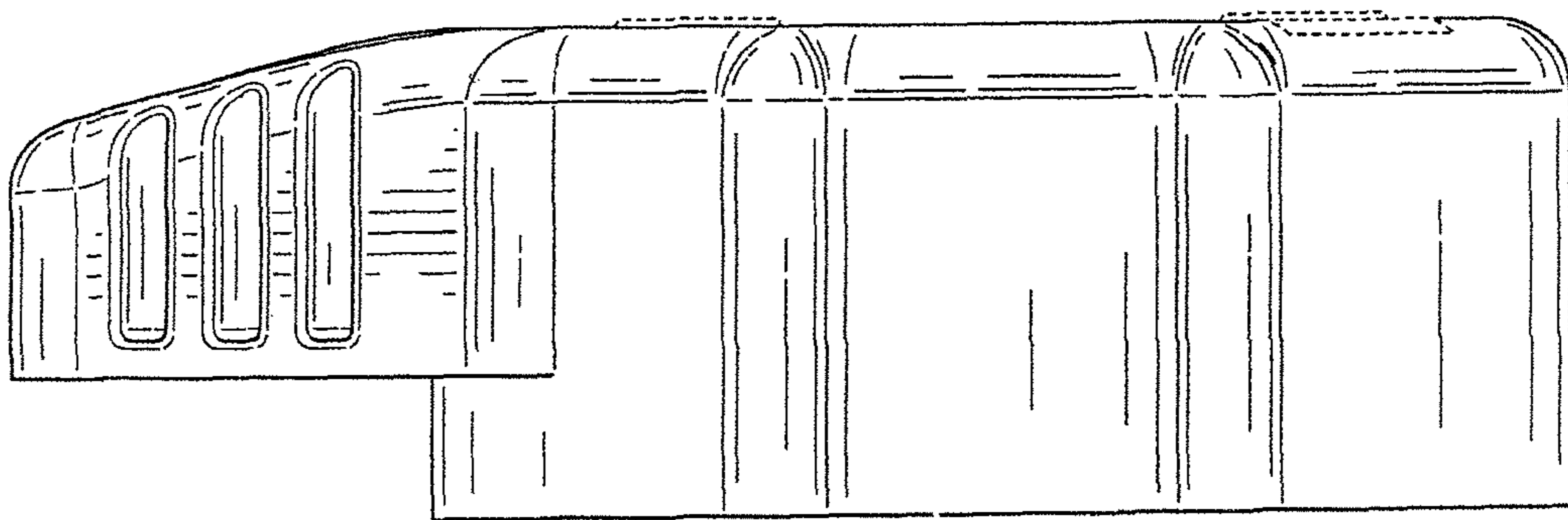


FIG. 7