



US00D680866S

(12) **United States Design Patent**  
**Golota et al.**

(10) **Patent No.:** **US D680,866 S**

(45) **Date of Patent:** **\*\* Apr. 30, 2013**

(54) **TAMPER RESISTANT PACKAGING LID**

(75) Inventors: **George A. Golota**, Glenview, IL (US);  
**Michael A. Drozek**, Palatine, IL (US);  
**James J. Sanfilippo**, Barrington, IL  
(US); **Roman Forowycz**, Lake Forest, IL  
(US); **John E. Sanfilippo**, Barrington  
Hills, IL (US); **Francisco J. Soria**, West  
Chicago, IL (US)

(73) Assignee: **D&W Fine Pack**, Elk Grove Village, IL  
(US)

(\*\*) Term: **14 Years**

(21) Appl. No.: **29/350,056**

(22) Filed: **Nov. 10, 2009**

(51) **LOC (9) Cl.** ..... **09-07**

(52) **U.S. Cl.**  
USPC ..... **D9/435**

(58) **Field of Classification Search** ..... D9/424,  
D9/425, 431, 432, 434, 435, 436, 438, 455,  
D9/456, 444, 445, 443; D7/392.1, 629, 391,  
D7/607, 608, 622, 624.2, 624.3; 220/780,  
220/256, 901, 802, 796, 784, 781; 215/352,  
215/328, 256, 253, 252, 243, 237, 228, 223  
See application file for complete search history.

(56) **References Cited**

**U.S. PATENT DOCUMENTS**

D170,104 S \* 7/1953 Zabel et al. .... D9/443  
D232,703 S \* 9/1974 Konzi ..... D9/424  
D267,703 S \* 1/1983 Chase et al. .... D9/435  
D272,595 S \* 2/1984 Chase et al. .... D7/629  
D388,325 S \* 12/1997 Tucker et al. .... D9/425

D403,583 S \* 1/1999 Nask et al. .... D9/435  
D448,969 S \* 10/2001 Conti ..... D7/392.1  
D450,983 S \* 11/2001 Tucker et al. .... D7/629  
D485,468 S \* 1/2004 Roth et al. .... D7/392.1  
D485,473 S \* 1/2004 Dais et al. .... D7/629  
2009/0173738 A1 7/2009 Golota et al.

**OTHER PUBLICATIONS**

U.S. Appl. No. 29/346,552, filed Jan. 11, 2009, Golota et al.  
U.S. Appl. No. 29/346,571, filed Nov. 2, 2009, Golota et al.  
U.S. Appl. No. 29/346,570, filed Nov. 2, 2009, Golota et al.  
U.S. Appl. No. 29/346,576, filed Nov. 2, 2009, Golota et al.

(Continued)

*Primary Examiner* — Robert M Spear

*Assistant Examiner* — Rashida C McCoy

(74) *Attorney, Agent, or Firm* — Cardinal Law Group

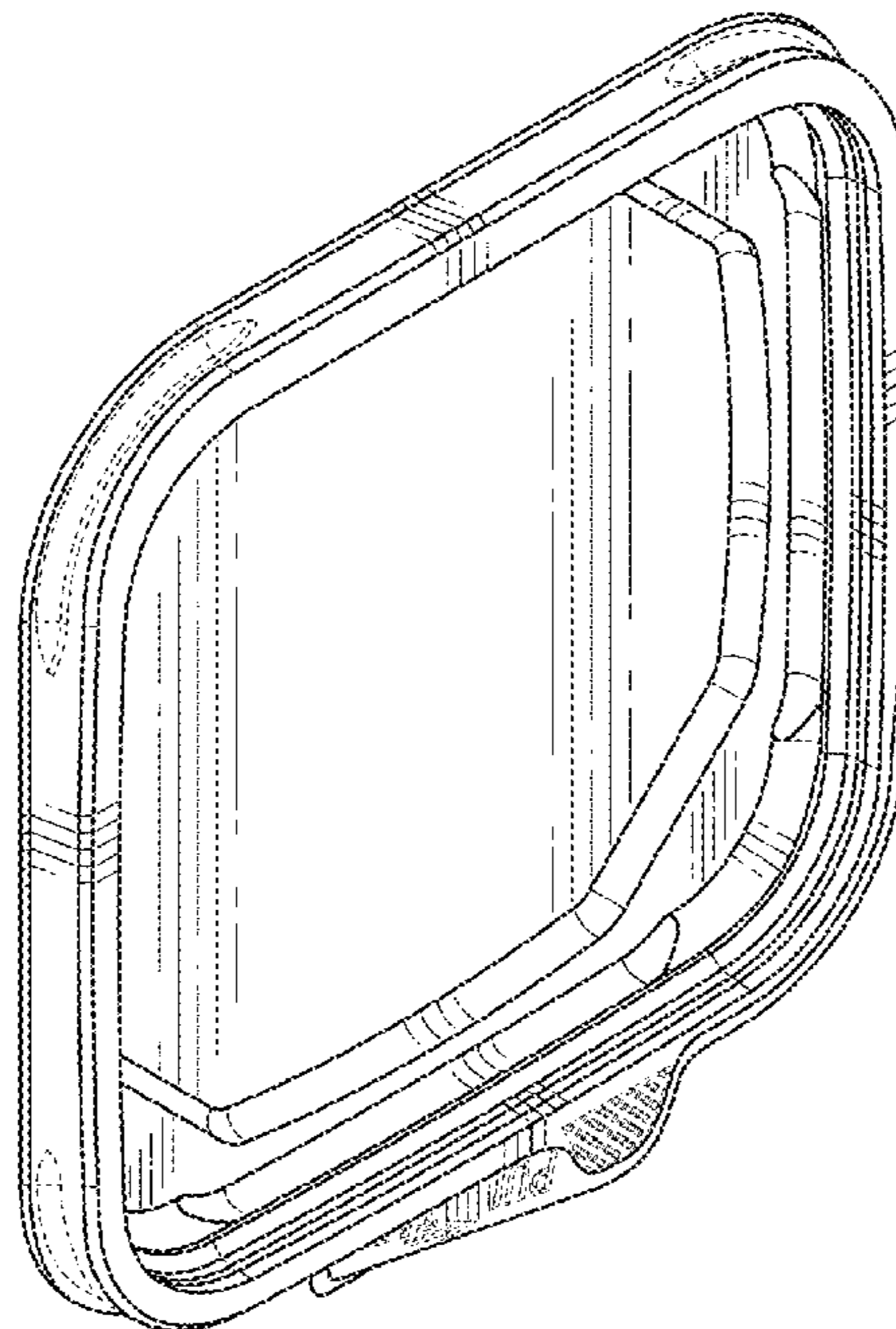
(57) **CLAIM**

The ornamental design for a tamper resistant packaging lid, as shown and described.

**DESCRIPTION**

FIG. 1 is a perspective view of the top of the lid;  
FIG. 2 is a perspective view of the bottom of the lid;  
FIG. 3 is a perspective view of the top of the lid;  
FIG. 4 is a perspective view of the bottom of the lid;  
FIG. 5 is a top view of the lid;  
FIG. 6 is a side view of the lid.  
FIG. 7 is a perspective view of the top of the lid;  
FIG. 8 is a perspective view of the bottom of the lid;  
FIG. 9 is a perspective view of the top of the lid; and,  
FIG. 10 is a perspective view of the bottom of the lid.  
The broken lines illustrate environmental structure and form  
no part of the claim.

**1 Claim, 5 Drawing Sheets**



# US D680,866 S

Page 2

---

## OTHER PUBLICATIONS

U.S. Appl. No. 29/346,566, filed Nov. 2, 2009, Golota et al.  
U.S. Appl. No. 29/346,563, filed Nov. 2, 2009, Golota et al.

U.S. Appl. No. 29/346,557, filed Nov. 2, 2009, Golota et al.  
U.S. Appl. No. 29/346,555, filed Nov. 2, 2009, Golota et al.

\* cited by examiner

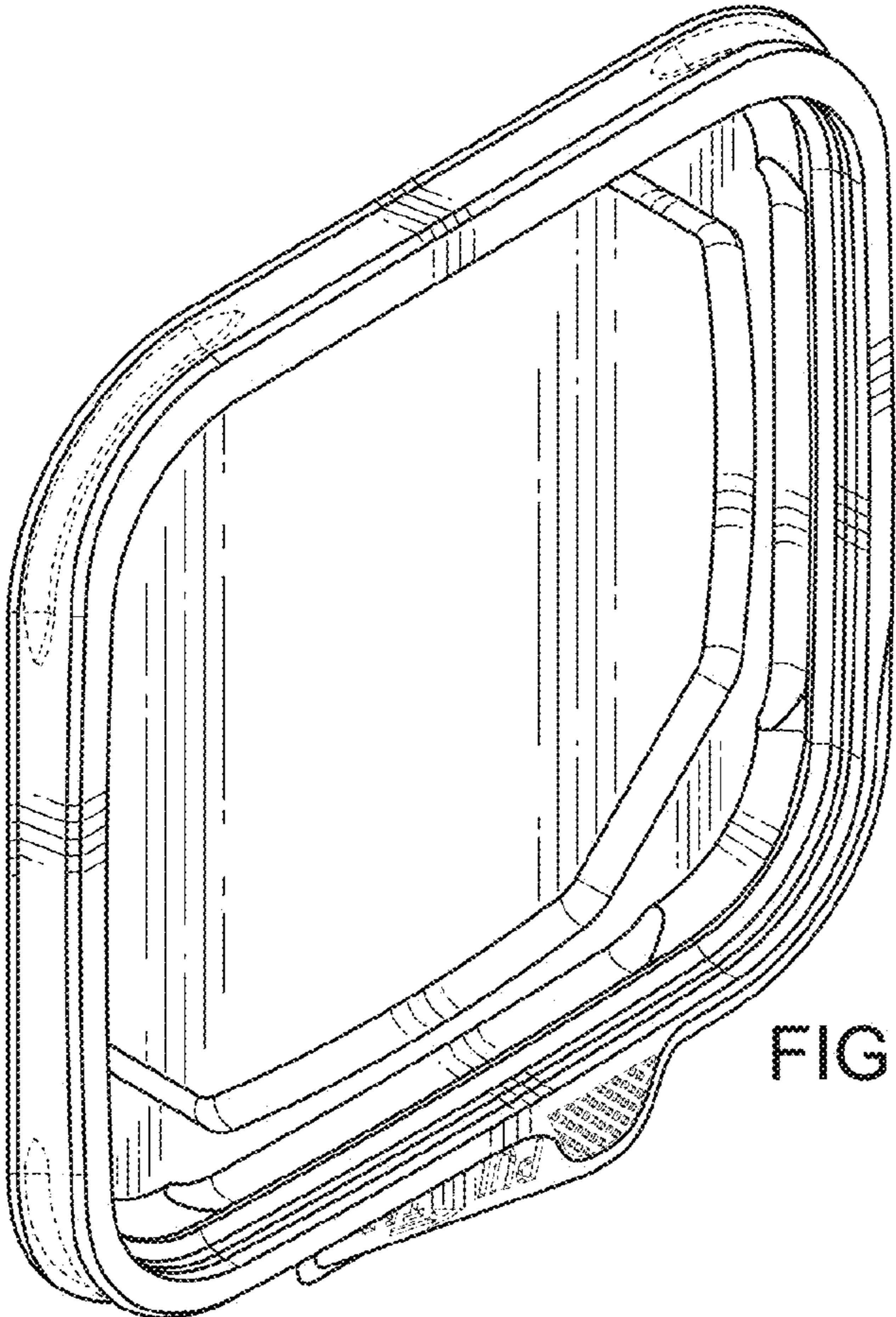


FIG. 1

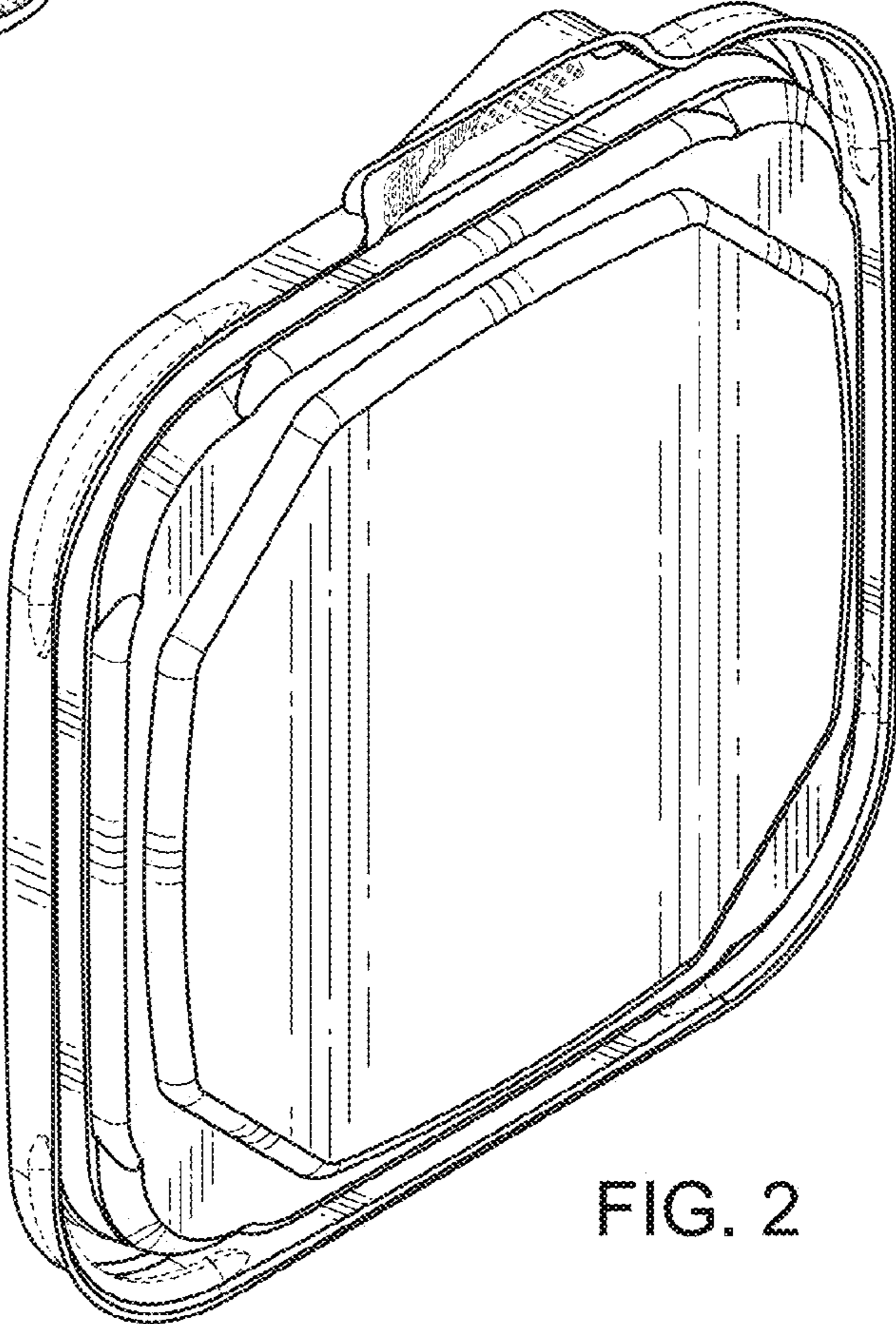


FIG. 2

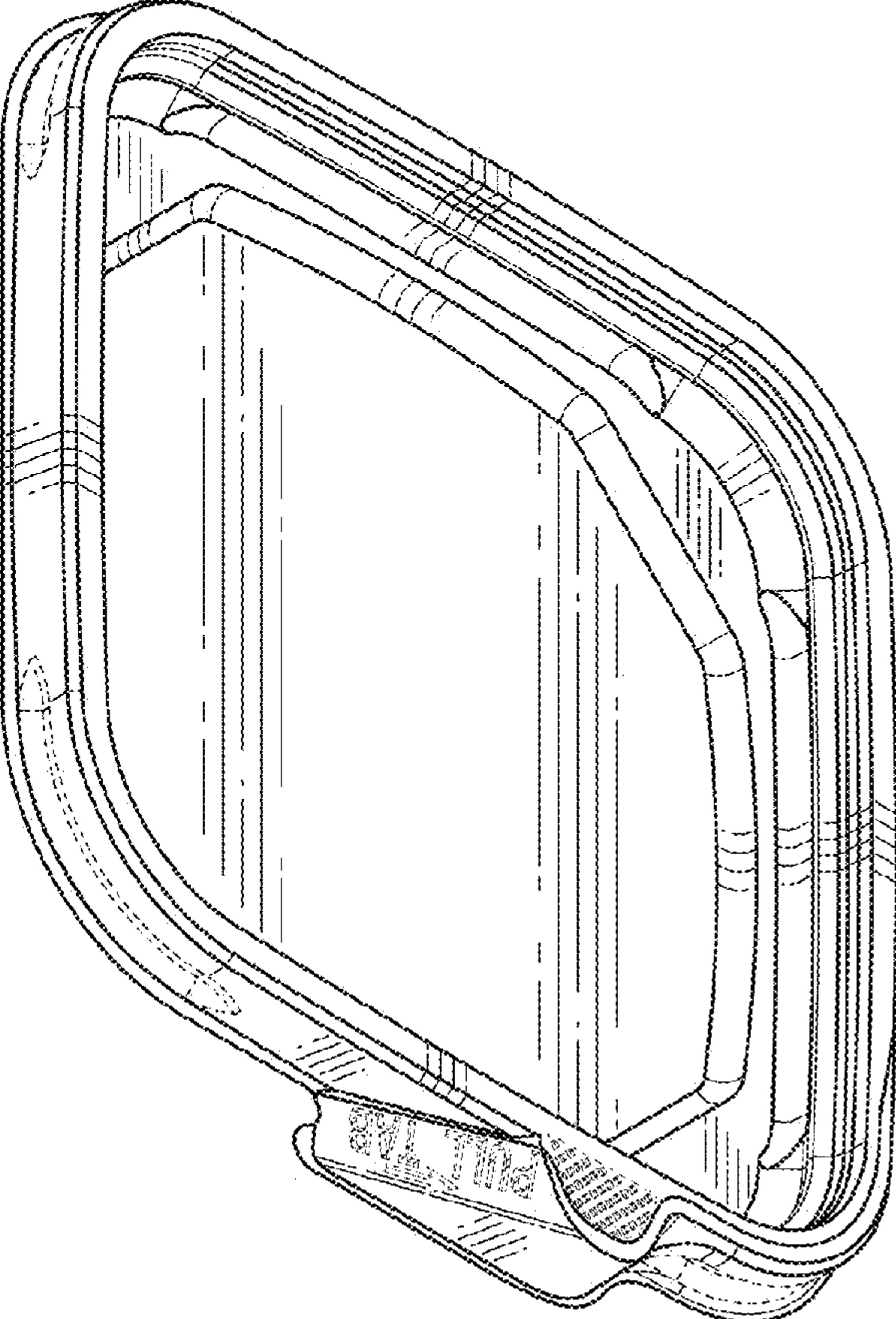


FIG. 3

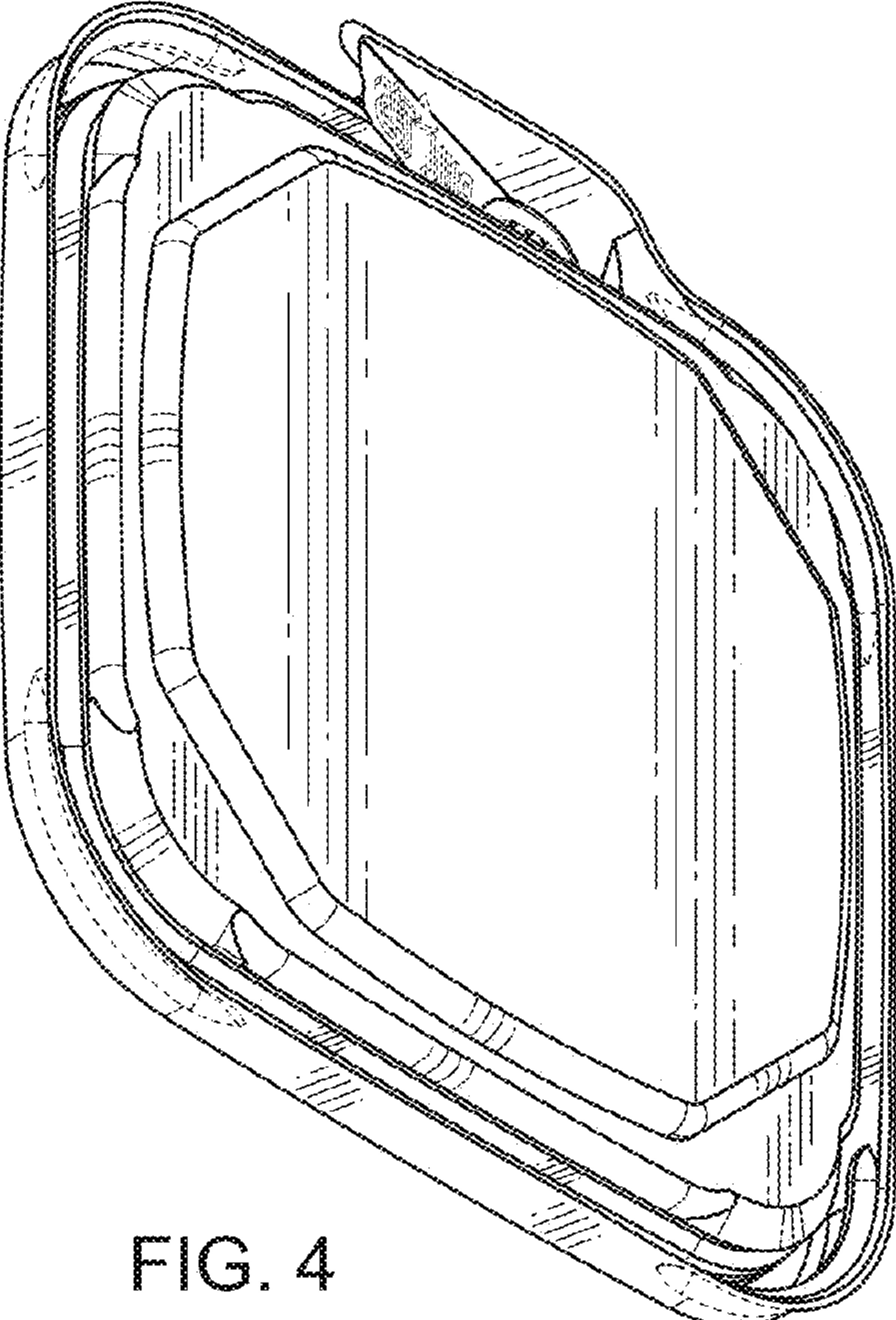


FIG. 4

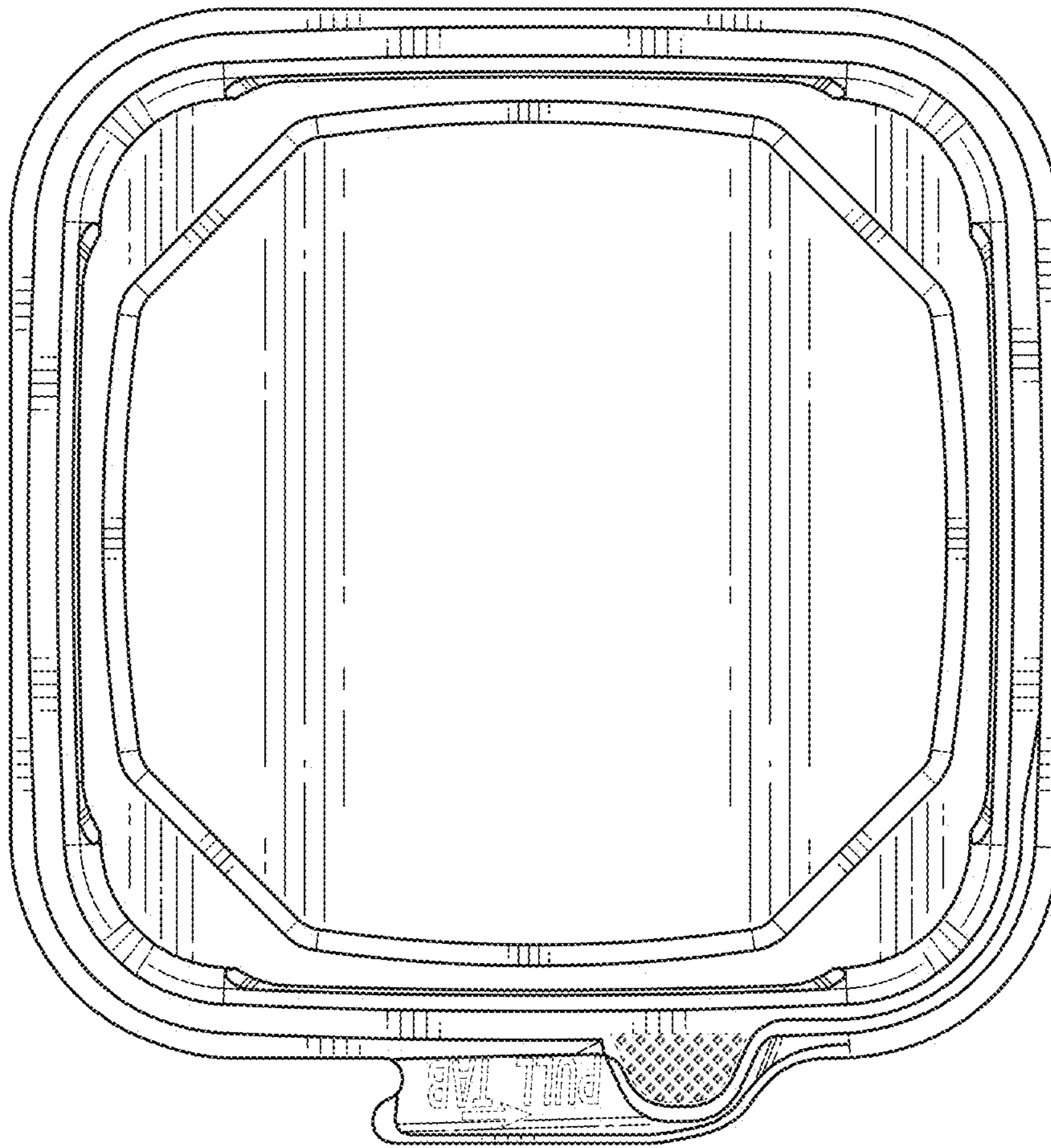


FIG. 5



FIG. 6

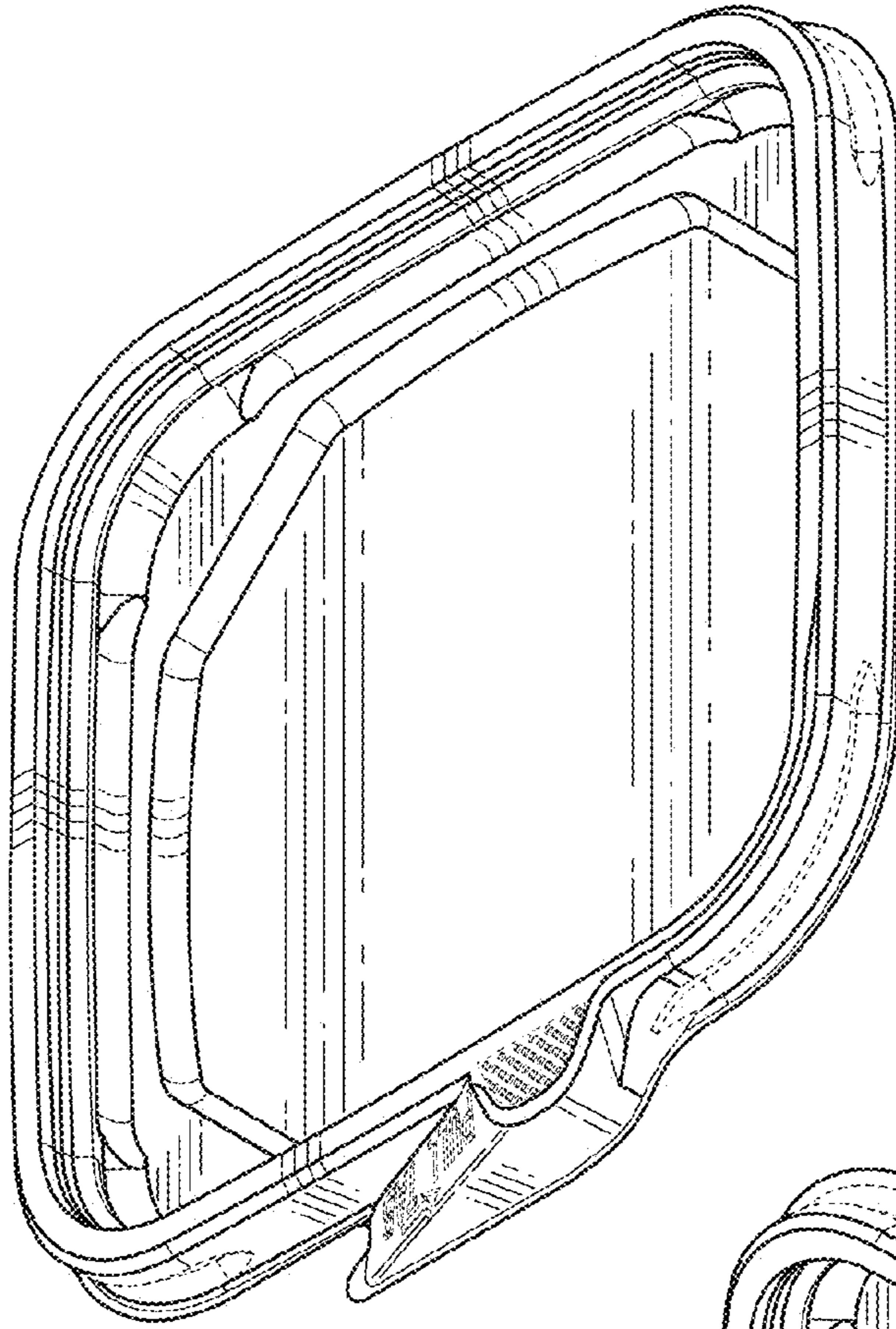


FIG. 7

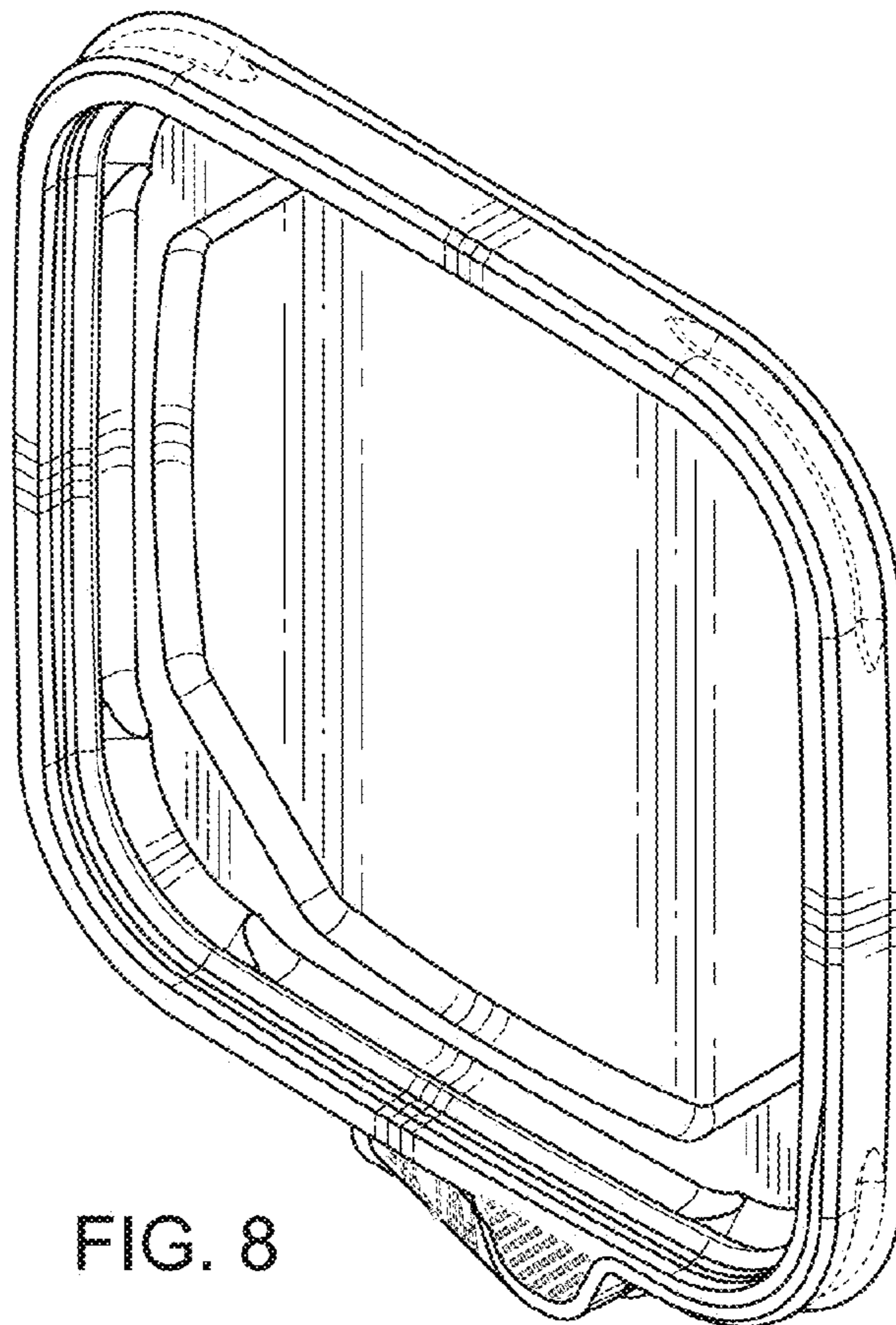


FIG. 8

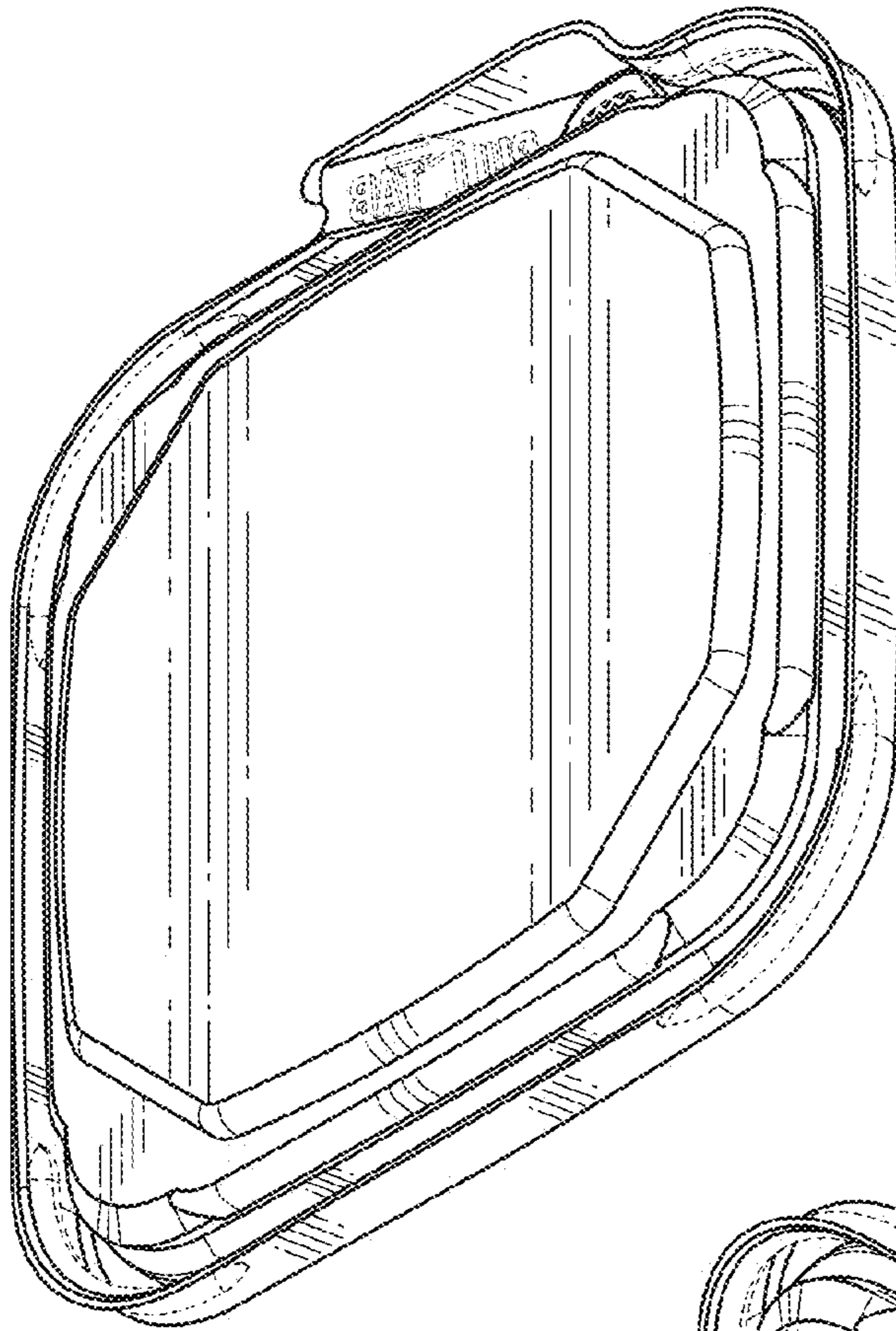


FIG. 9

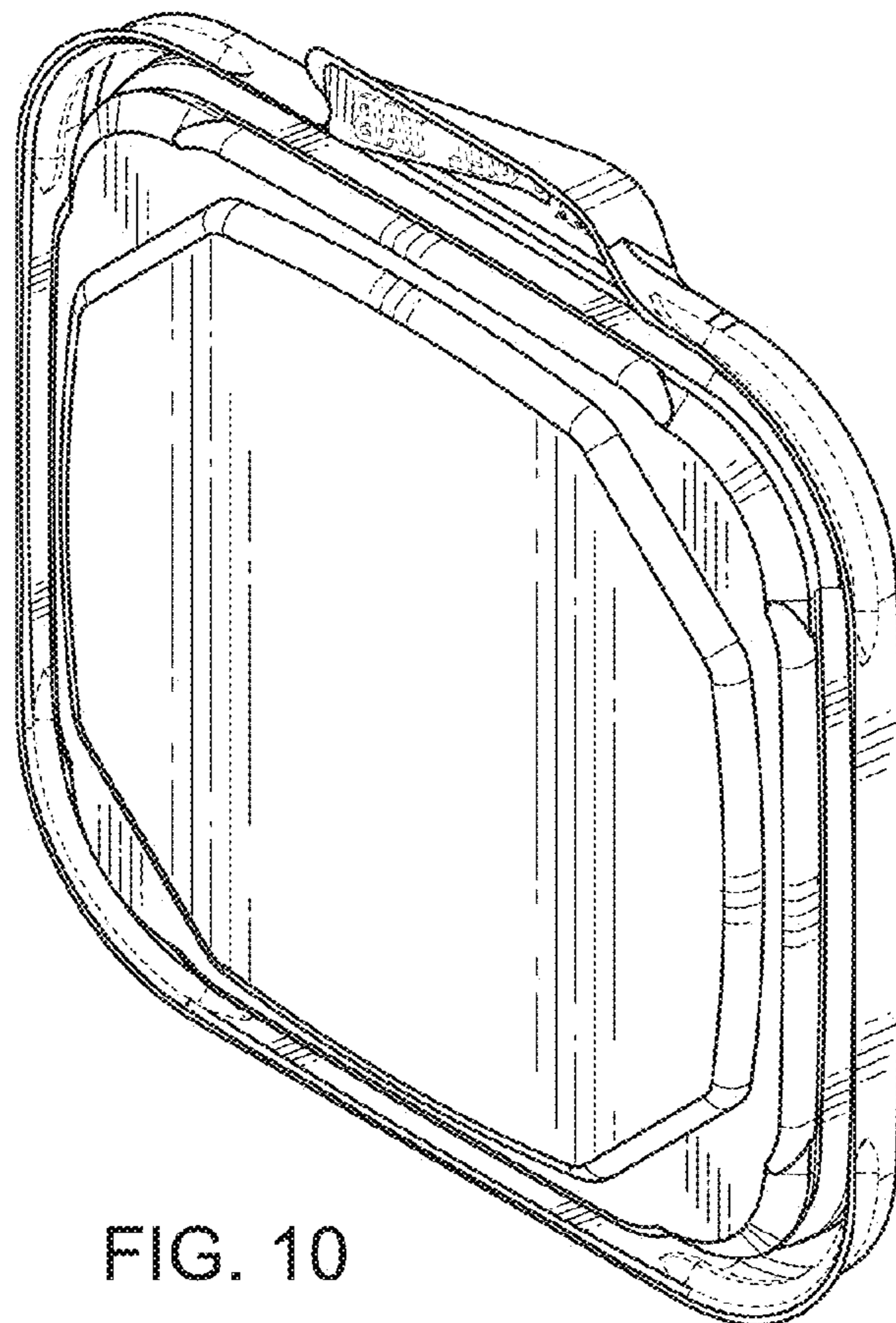


FIG. 10