



US00D680863S

(12) **United States Design Patent**  
**Thompson et al.**

(10) **Patent No.:** **US D680,863 S**  
(45) **Date of Patent:** **\*\* Apr. 30, 2013**

(54) **CARTON**

(75) Inventors: **Michelle Christine Thompson**,  
Montgomery, OH (US); **Jamey Nathan**  
**Wagner**, West Chester, OH (US);  
**Brandy Nicole Lockaby**, Cincinnati,  
OH (US)

(73) Assignee: **The Procter & Gamble Company**,  
Cincinnati, OH (US)

(\*\*) Term: **14 Years**

(21) Appl. No.: **29/404,831**

(22) Filed: **Oct. 26, 2011**

(51) **LOC (9) Cl.** ..... **09-07**

(52) **U.S. Cl.**  
USPC ..... **D9/434; D9/432**

(58) **Field of Classification Search** ..... D9/414,  
D9/423, 430, 432, 434, 448, 450, 451, 631,  
D9/658, 667, 685, 692, 425, 424; 222/182,  
222/321.8, 331, 334, 383.1, 402.13, 402.15;  
239/112, 333, 492, 526; D23/225, 226; D5/63;  
229/922, 905, 903, 901, 87.18, 406, 116.5,  
229/116.1, 100

See application file for complete search history.

(56) **References Cited**

**U.S. PATENT DOCUMENTS**

D259,860 S \* 7/1981 Grodin ..... D9/432  
D279,262 S \* 6/1985 Mansau ..... D9/423

D430,026 S \* 8/2000 Johansson et al. .... D9/432  
D543,110 S \* 5/2007 Harada et al. .... D9/457  
D586,210 S \* 2/2009 Noschang et al. .... D9/434  
D625,182 S \* 10/2010 Kerr et al. .... D9/432  
D635,017 S \* 3/2011 Kerr et al. .... D9/432  
D650,273 S \* 12/2011 Tekulve et al. .... D9/432  
D651,512 S \* 1/2012 Eaton et al. .... D9/435  
D656,396 S \* 3/2012 Palmieri et al. .... D9/434  
D659,012 S \* 5/2012 Subler ..... D9/658  
D665,257 S \* 8/2012 Slayton et al. .... D9/432  
D666,091 S \* 8/2012 Klopp et al. .... D9/434  
D666,092 S \* 8/2012 Dowden et al. .... D9/434  
D673,377 S \* 1/2013 Thompson et al. .... D5/63

\* cited by examiner

*Primary Examiner* — Susan Bennett Hattan

(74) *Attorney, Agent, or Firm* — Peter D. Meyer

(57) **CLAIM**

The ornamental design for a carton, as shown and described.

**DESCRIPTION**

FIG. 1 is a perspective view of a carton showing our new design.

FIG. 2 is a front elevational view of the carton of FIG. 1.

FIG. 3 is a left-side elevational view of the carton of FIG. 1.

FIG. 4 is a right-side elevational view of the carton of FIG. 1.

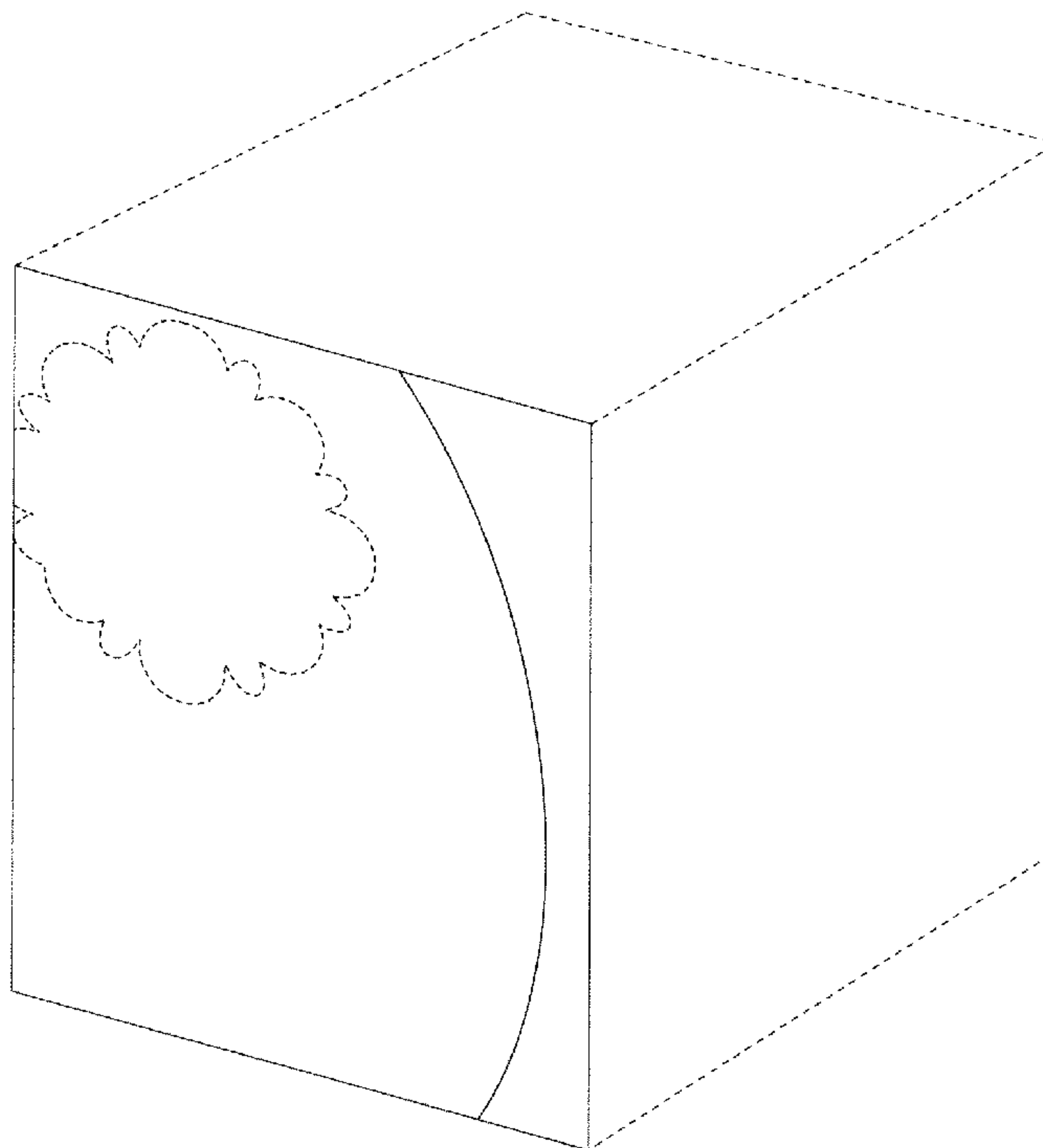
FIG. 5 is a rear elevational view of the carton of FIG. 1.

FIG. 6 is a top planar view of the carton of FIG. 1; and,

FIG. 7 is a bottom planar view of the carton of FIG. 1.

The broken lines in the drawing depict environmental subject matter only and form no part of the claimed design.

**1 Claim, 3 Drawing Sheets**



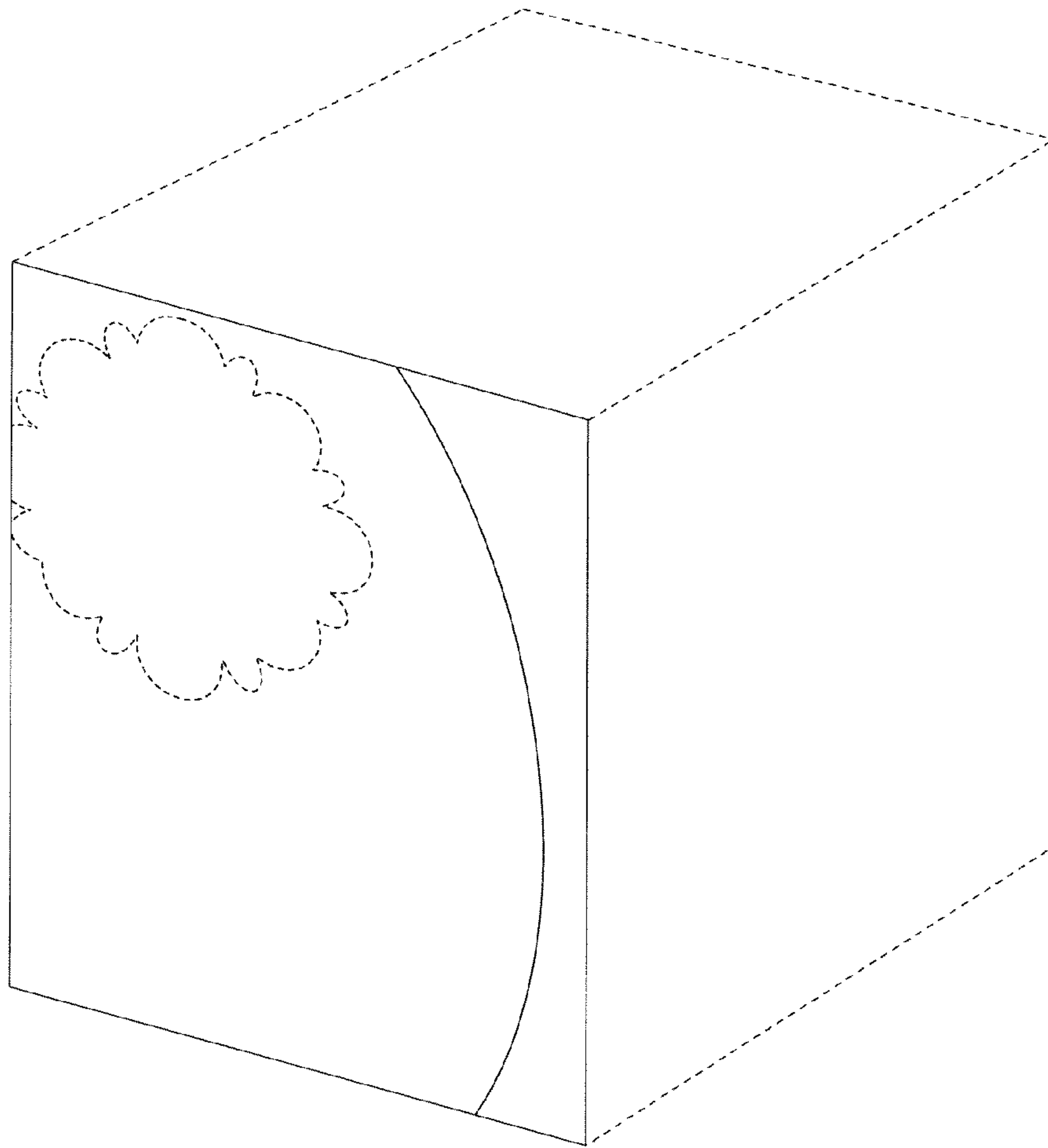


Fig. 1

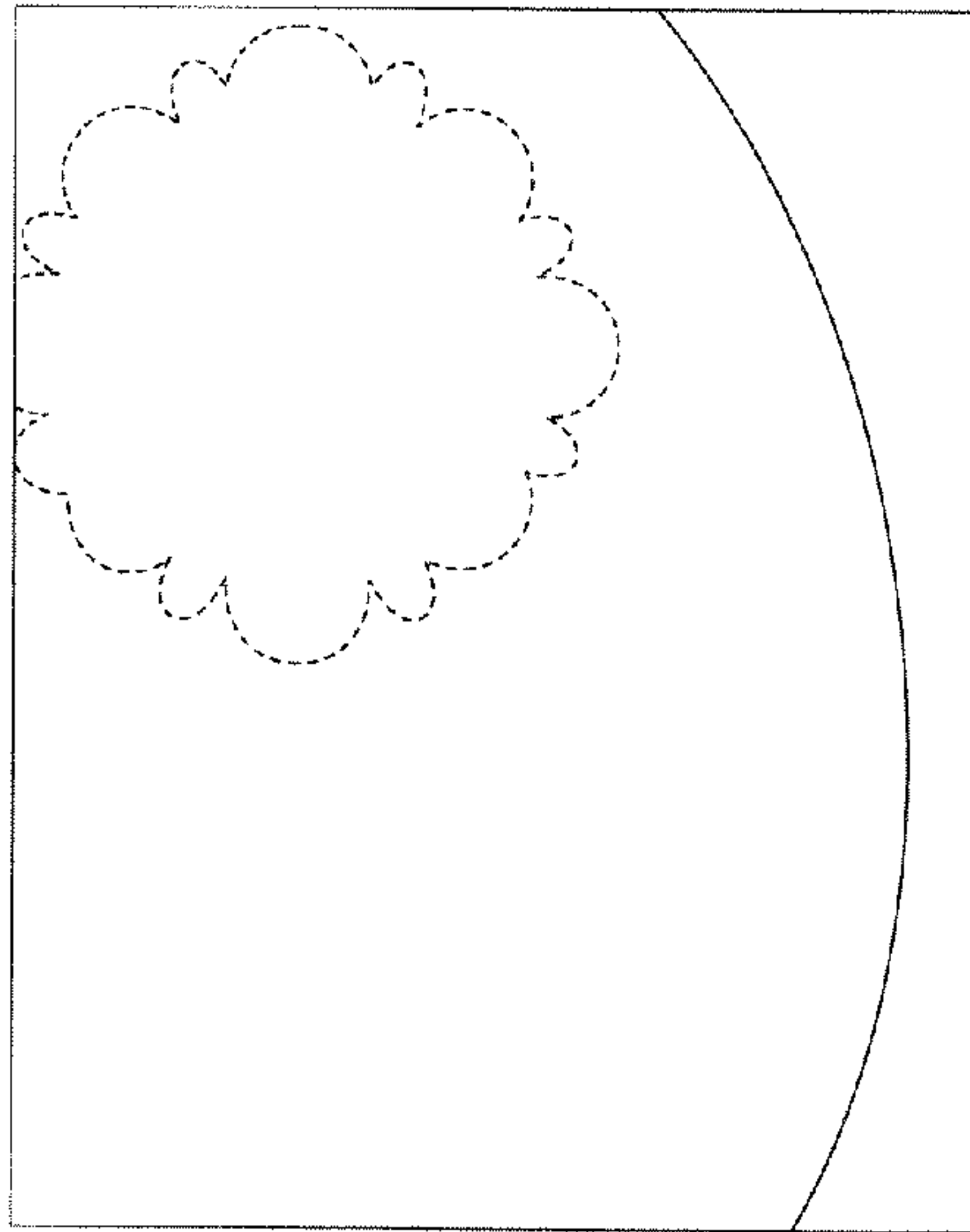


Fig. 2

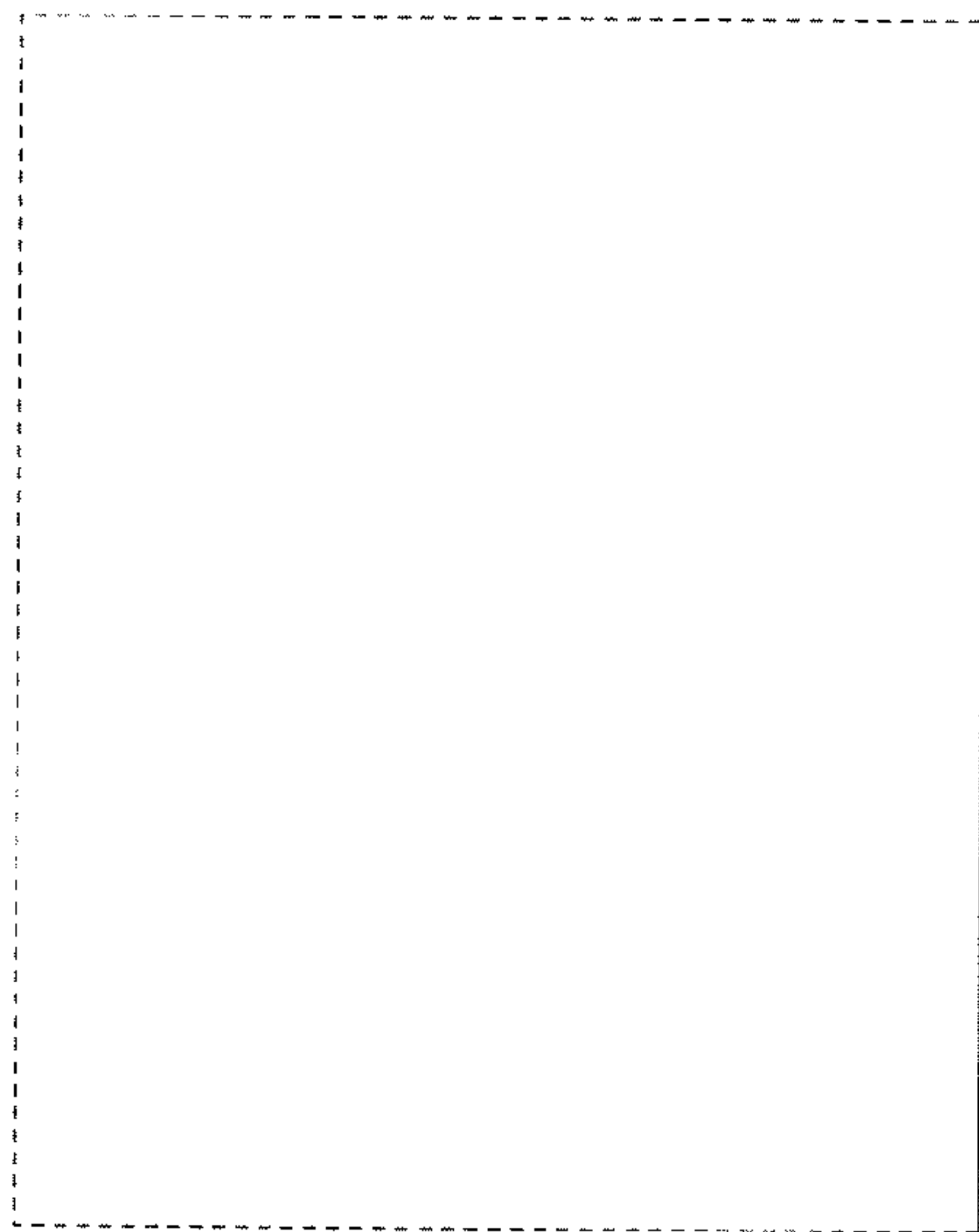


Fig. 3

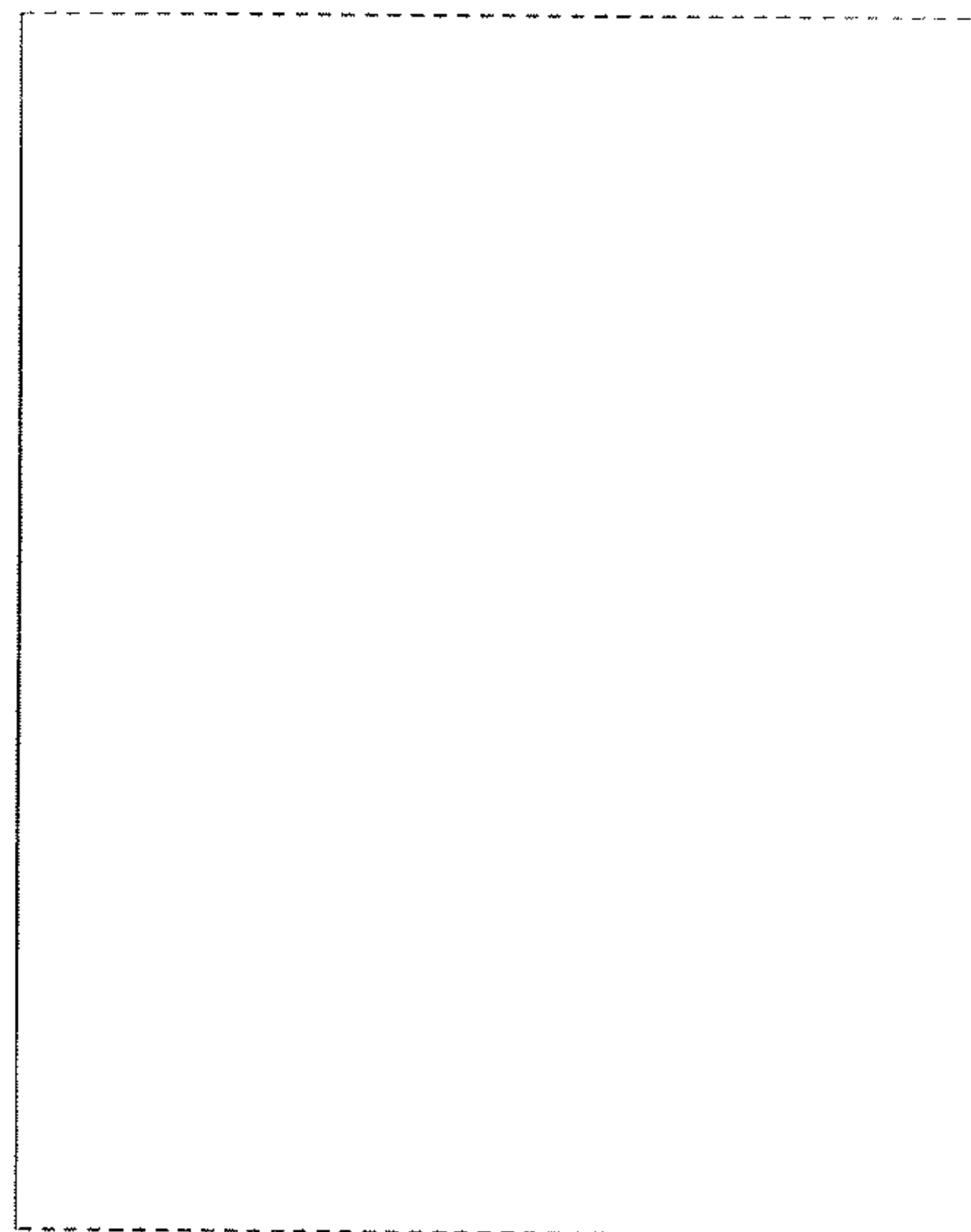


Fig. 4

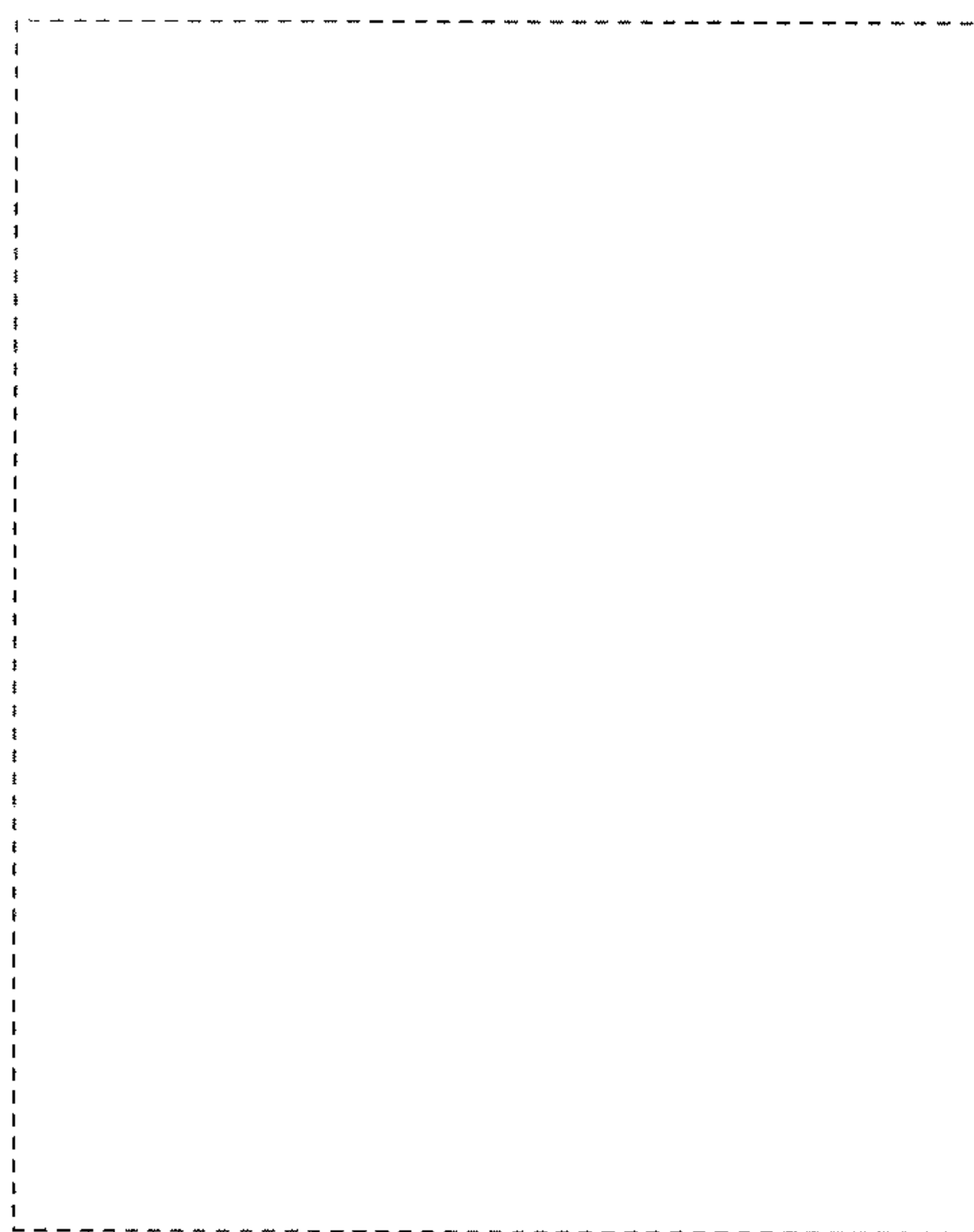


Fig. 5



Fig. 6

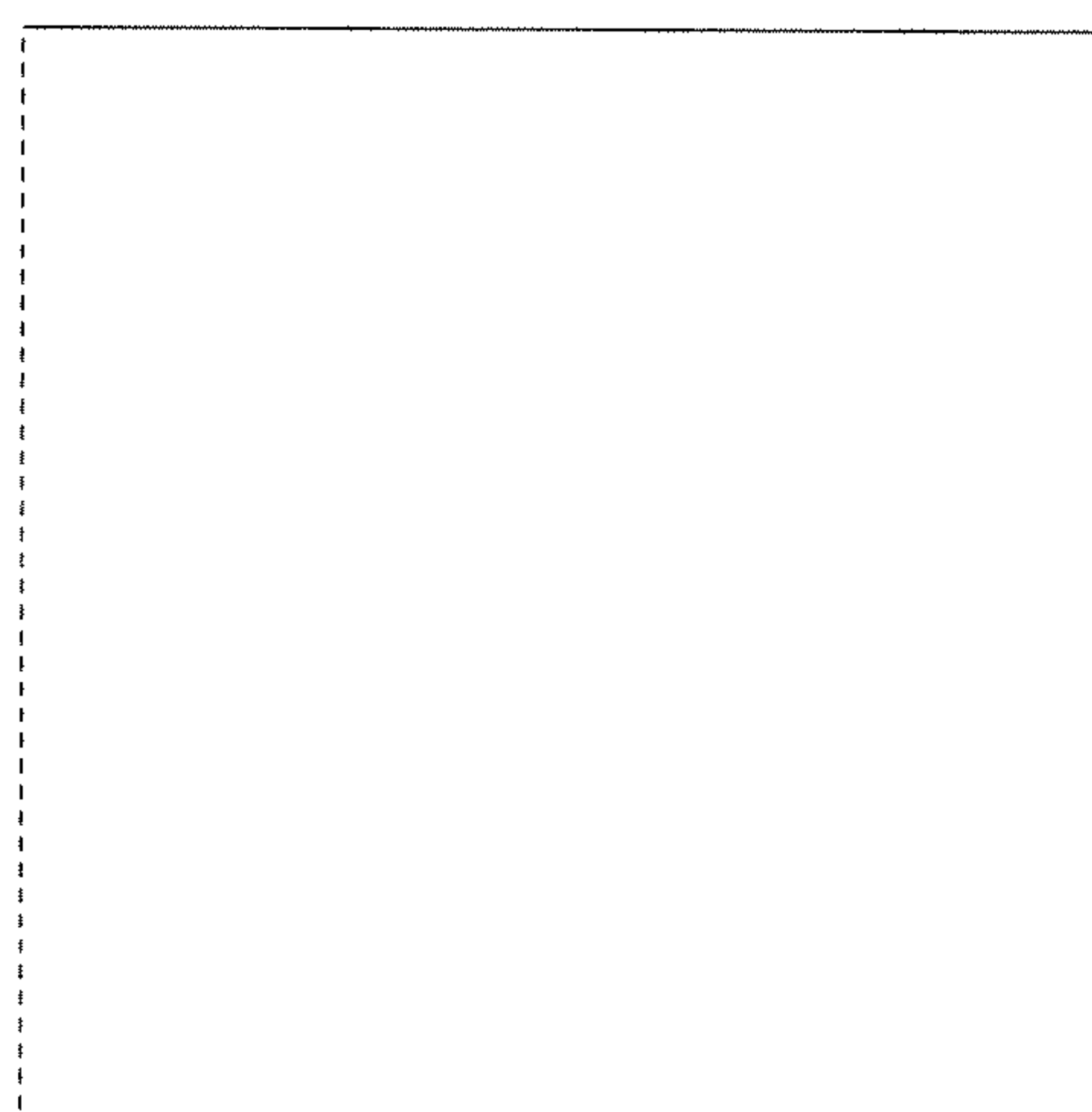


Fig. 7