



US00D680861S

(12) **United States Design Patent**
Chen

(10) **Patent No.:** **US D680,861 S**

(45) **Date of Patent:** **** Apr. 30, 2013**

(54) **FOOD CONTAINER**

(75) Inventor: **Linzhao Chen**, Taishan (CN)

(73) Assignee: **Taishan Changjiang Plastic Product Co., Ltd.** (CN)

(**) Term: **14 Years**

(21) Appl. No.: **29/423,480**

(22) Filed: **Jun. 1, 2012**

(51) **LOC (9) Cl.** **09-03**

(52) **U.S. Cl.**
USPC **D9/429**

(58) **Field of Classification Search** D9/414,
D9/416, 418, 423, 425, 428–431, 454, 542;
D7/538, 540, 542, 550.1, 565, 584, 602, 629;
206/501–509, 512; 220/4.23–4.24, 23.86,
220/780–781, 791–793, 835, 839; 428/34.1,
428/35.7, 36.5–36.8

See application file for complete search history.

(56) **References Cited**

U.S. PATENT DOCUMENTS

D391,850 S *	3/1998	Krupa et al.	D9/429
D415,420 S *	10/1999	Chen	D9/428
D450,580 S *	11/2001	Littlejohn et al.	D9/429
D541,148 S *	4/2007	Gross et al.	D9/428
D542,128 S *	5/2007	Gross et al.	D9/429
D581,781 S	12/2008	Enriquez		
D594,324 S *	6/2009	Colacitti	D9/425
D594,326 S *	6/2009	Colacitti	D9/425

D620,790 S *	8/2010	Lovett	D9/425
D625,599 S	10/2010	Golota et al.		
D634,618 S *	3/2011	Colacitti	D9/425
D646,967 S *	10/2011	Tamshe et al.	D9/428
D649,448 S	11/2011	Wu		
D664,844 S *	8/2012	Hale	D9/429

* cited by examiner

Primary Examiner — Thomas Johannes

(74) *Attorney, Agent, or Firm* — Schmeiser, Olsen & Watts, LLP

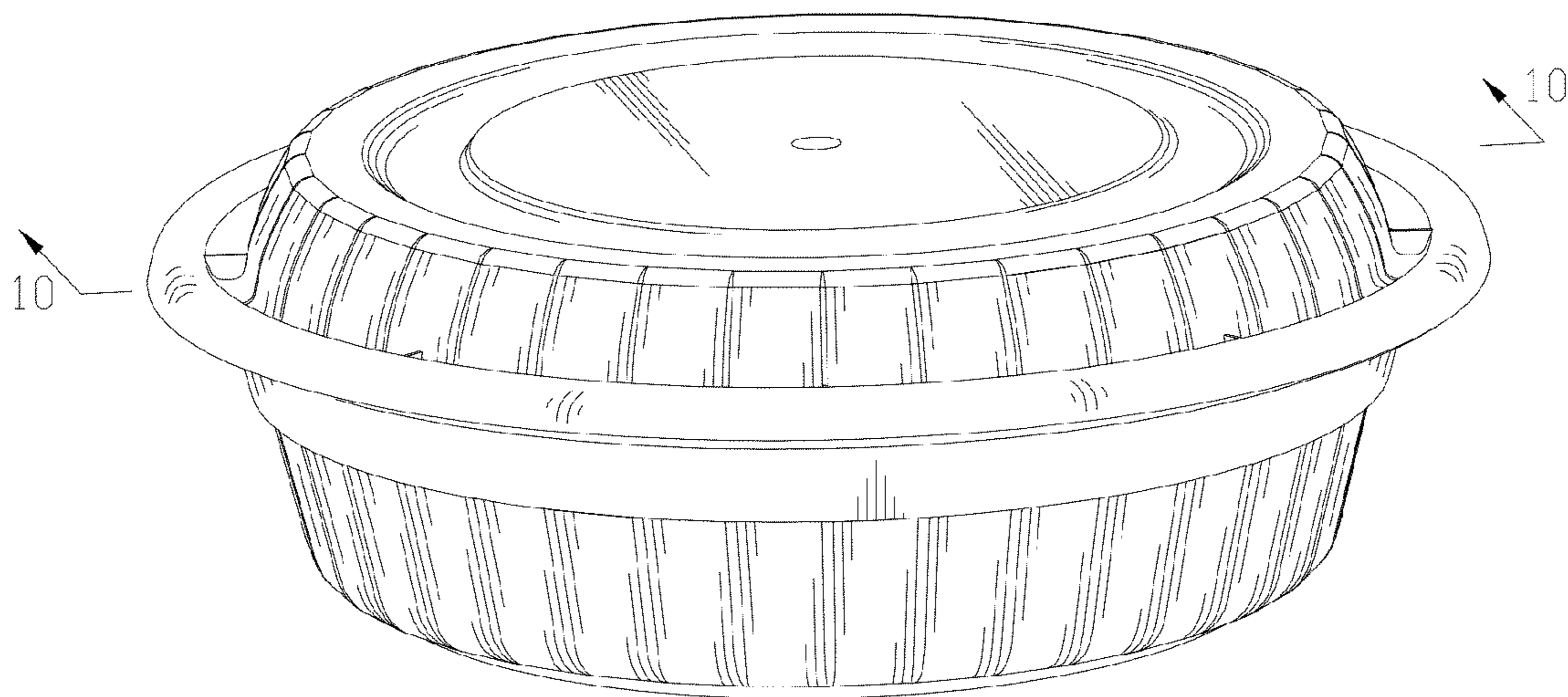
(57) **CLAIM**

The ornamental design for a food container, as shown and described.

DESCRIPTION

FIG. 1 is a top perspective view of a food container showing my new design with a lid closed;
 FIG. 2 is a top perspective view thereof with the lid separated;
 FIG. 3 is a bottom perspective view thereof with the lid separated;
 FIG. 4 is a front view thereof with the lid closed, the opposite side view with the lid closed being identical;
 FIG. 5 is a front view thereof with the lid separated; the opposite side view with the lid separated being identical;
 FIG. 6 is a side view thereof with the lid closed, the opposite side view with the lid closed being identical;
 FIG. 7 is a side view thereof with the lid separated, the opposite side view with the lid separated being identical;
 FIG. 8 is a top view thereof;
 FIG. 9 is a bottom view thereof; and,
 FIG. 10 is a cross section view thereof along line 10-10 of FIG. 1.

1 Claim, 10 Drawing Sheets



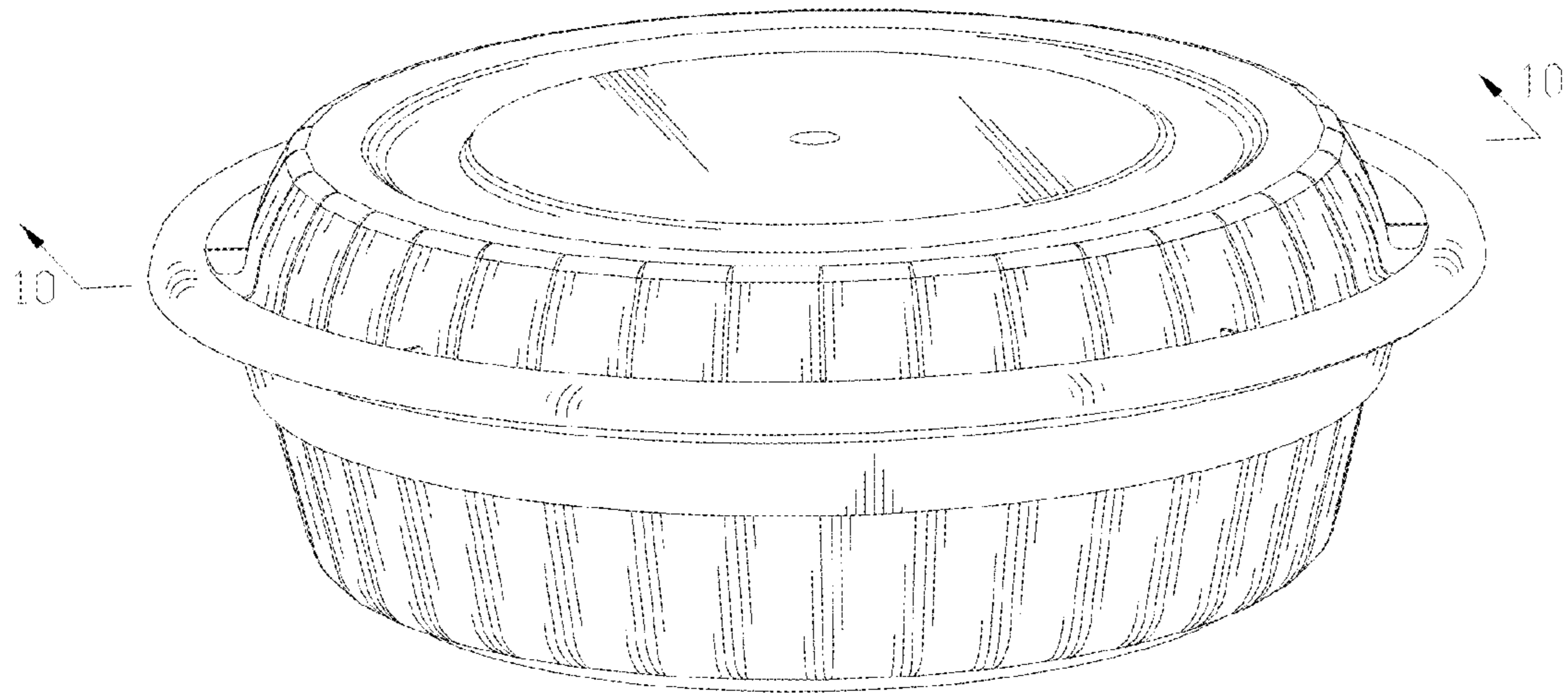


FIG. 1

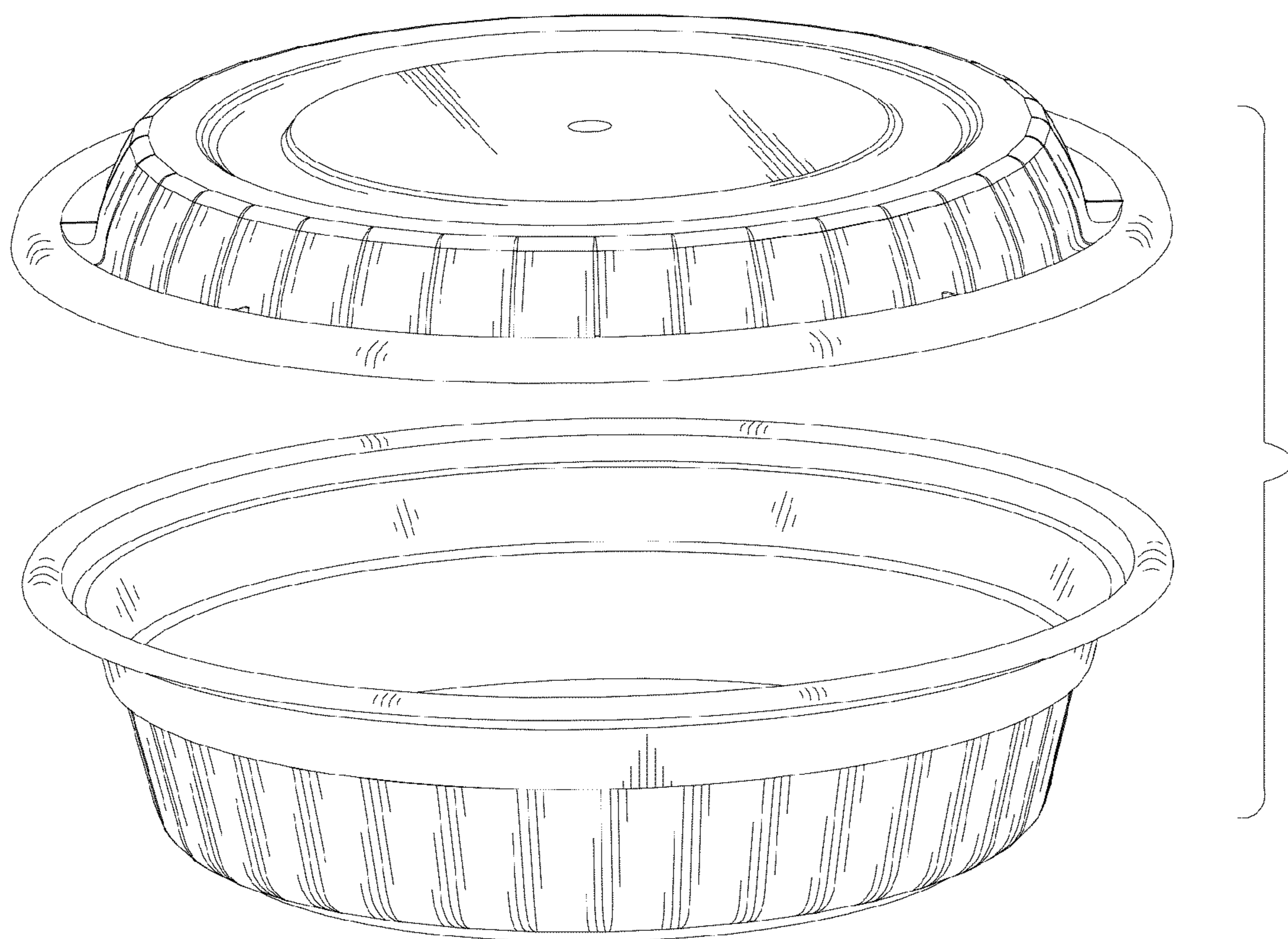


FIG. 2

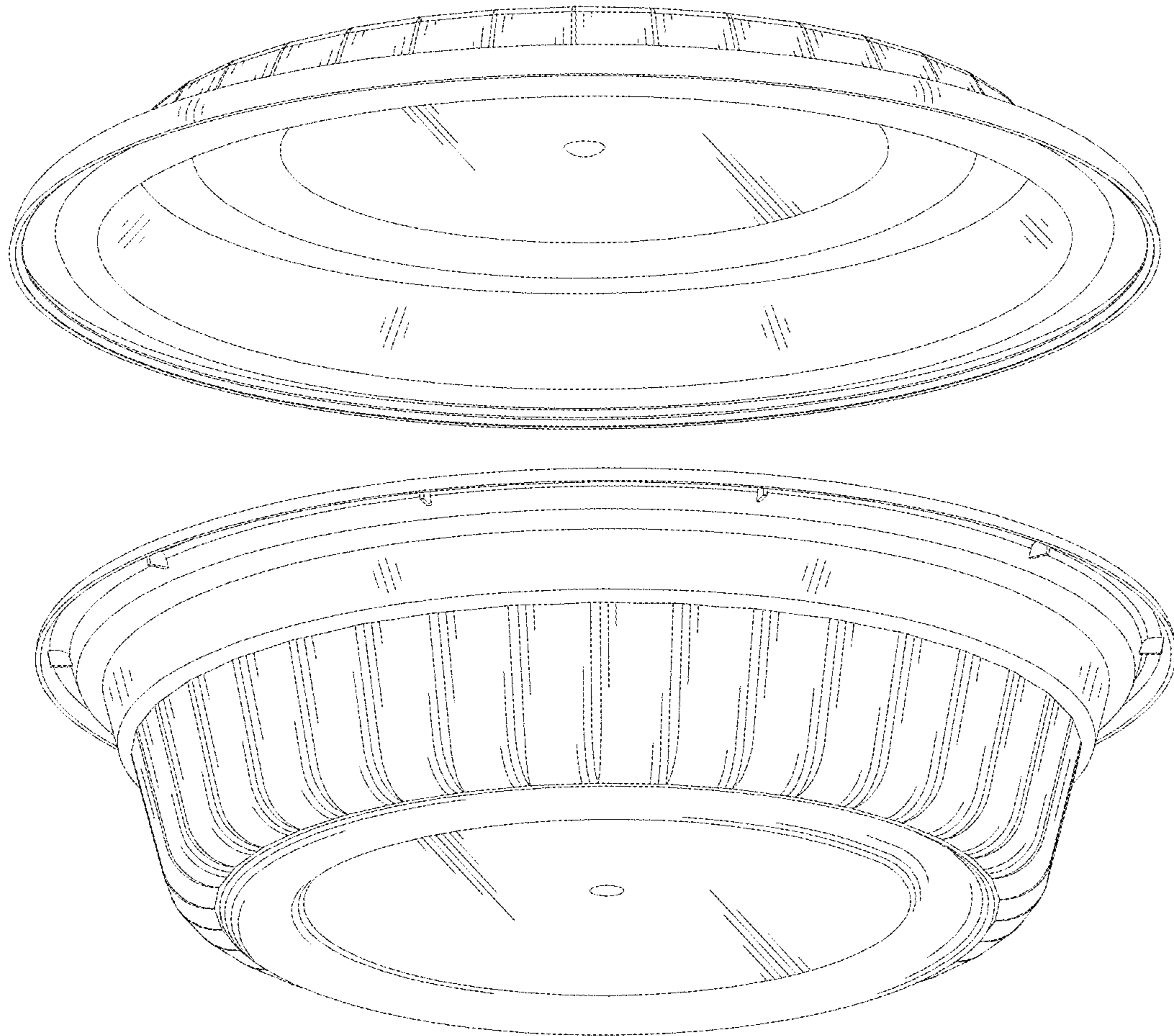


FIG. 3

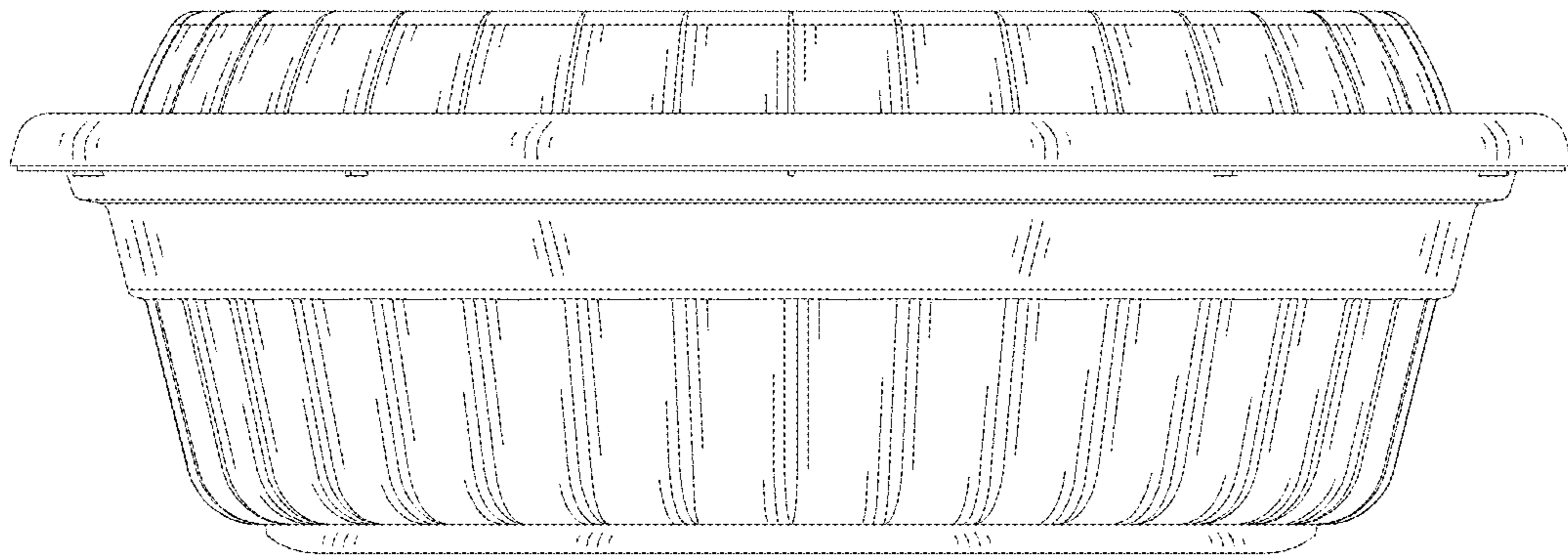


FIG. 4

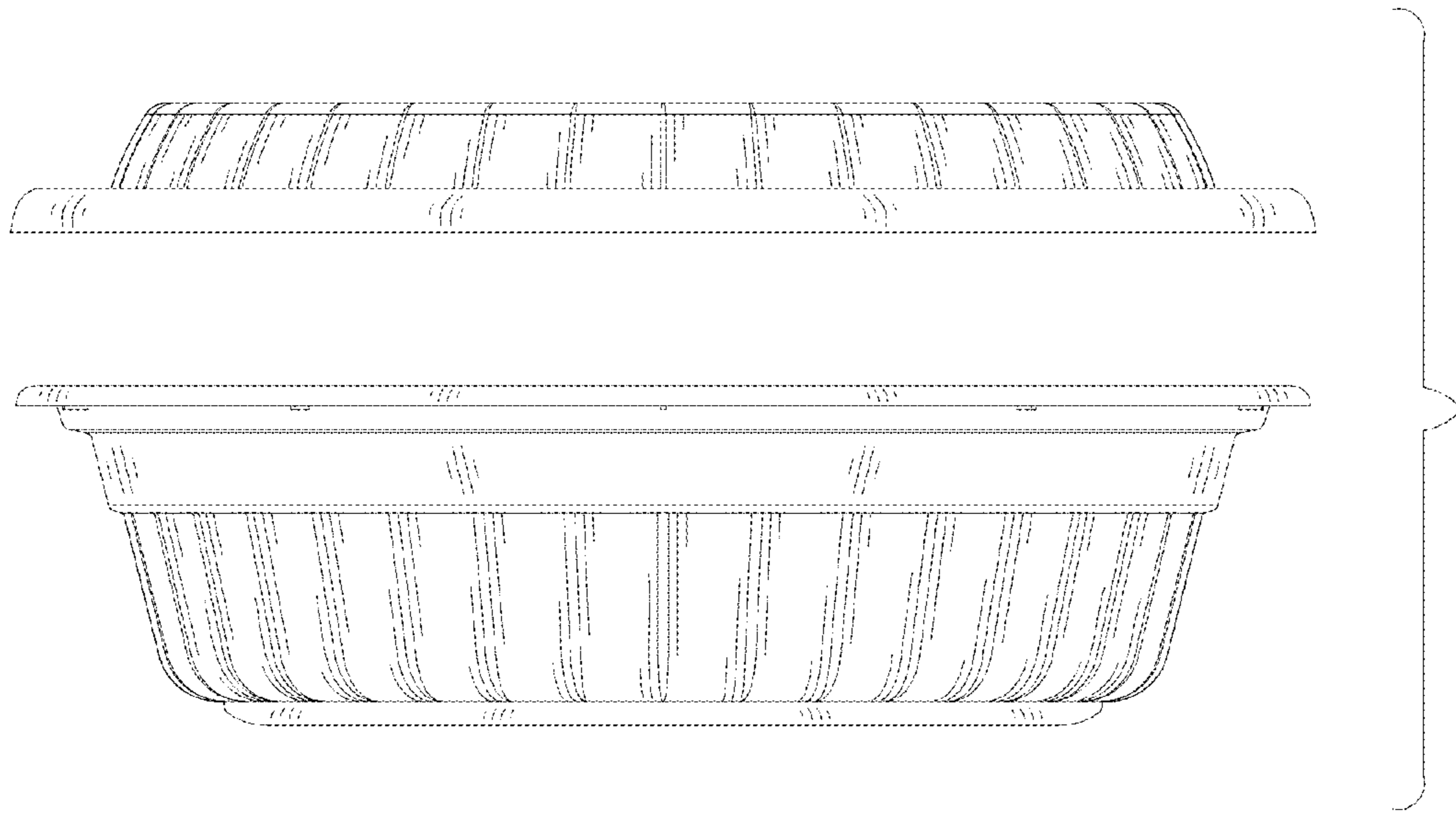


FIG 5

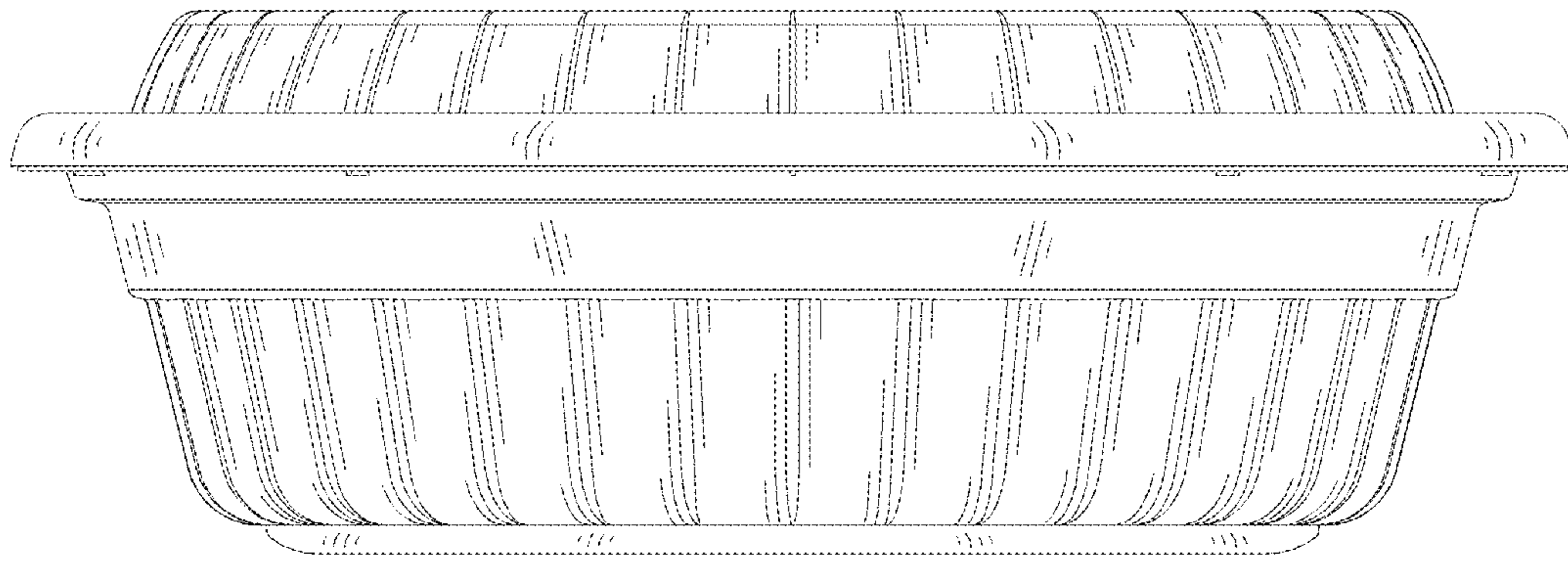


FIG. 6

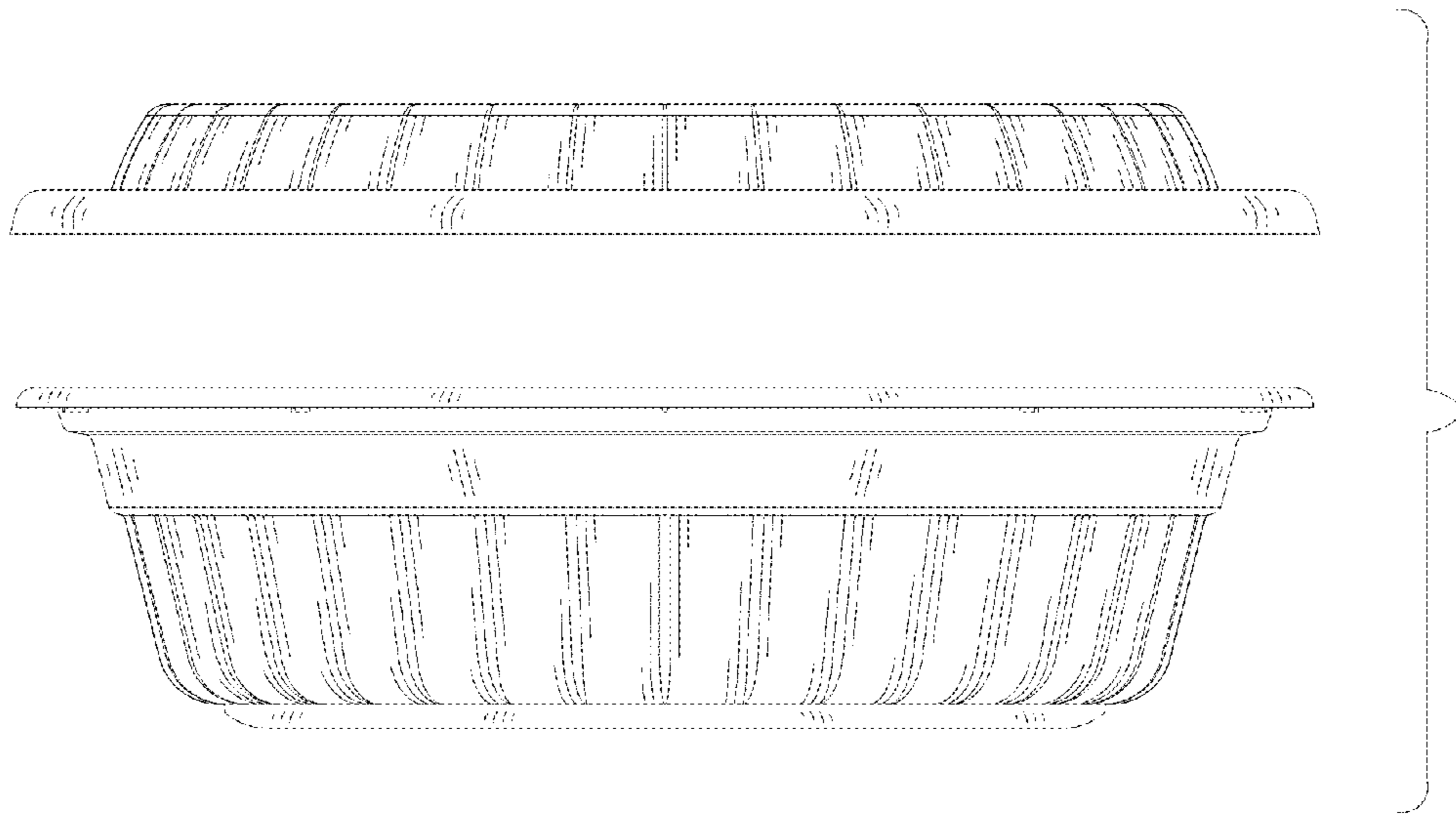


FIG. 7

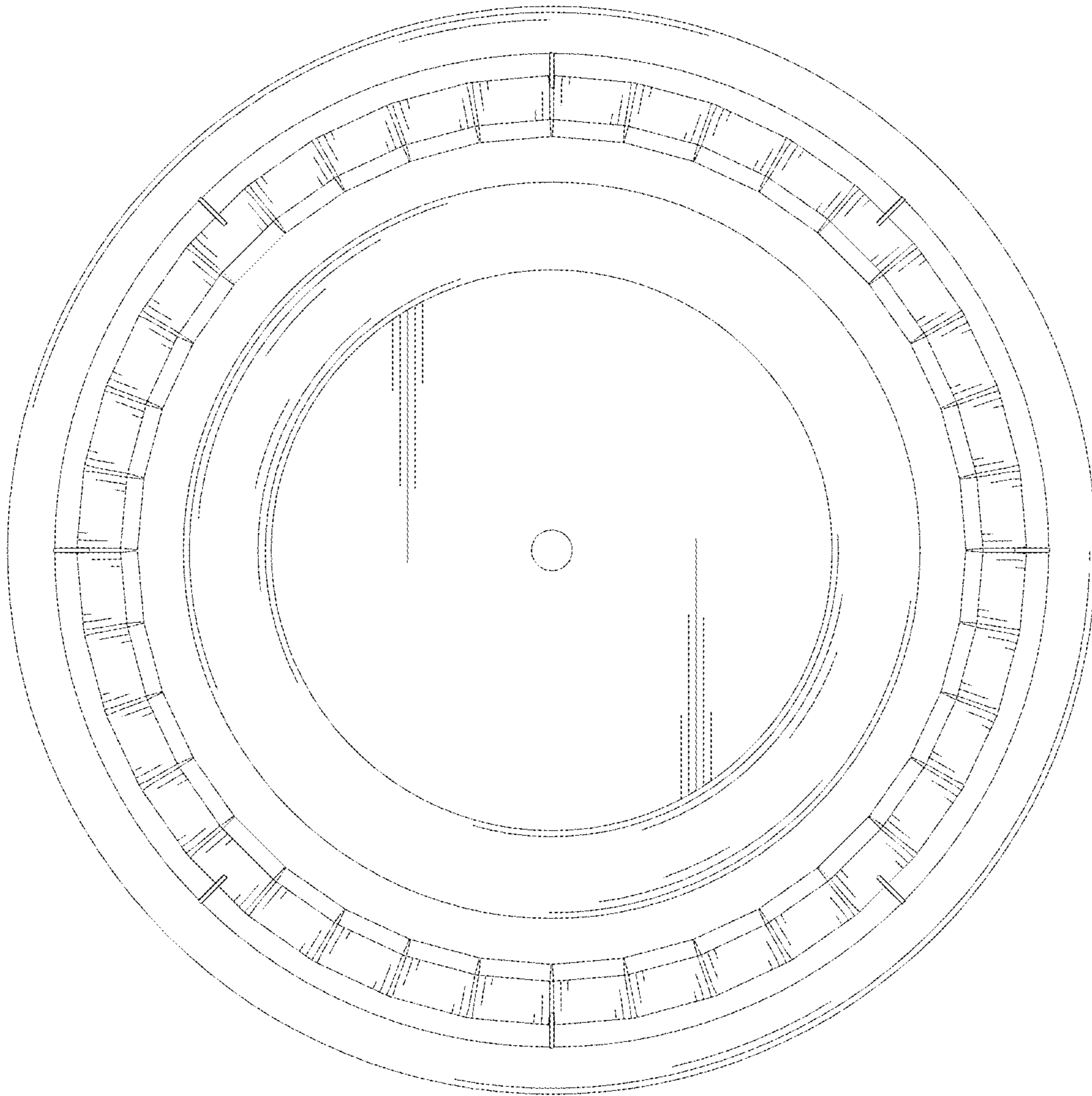


FIG. 8

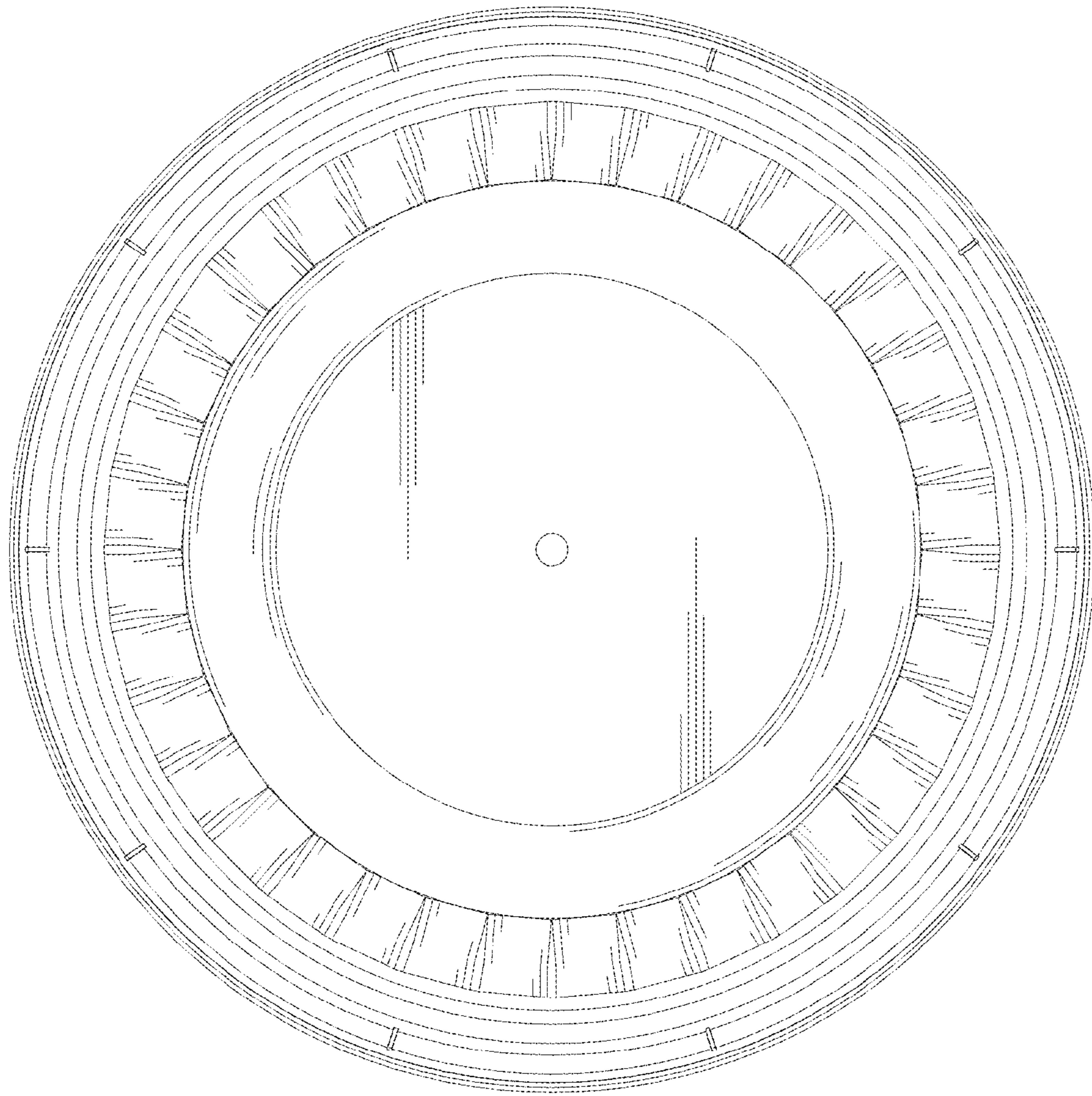


FIG. 9

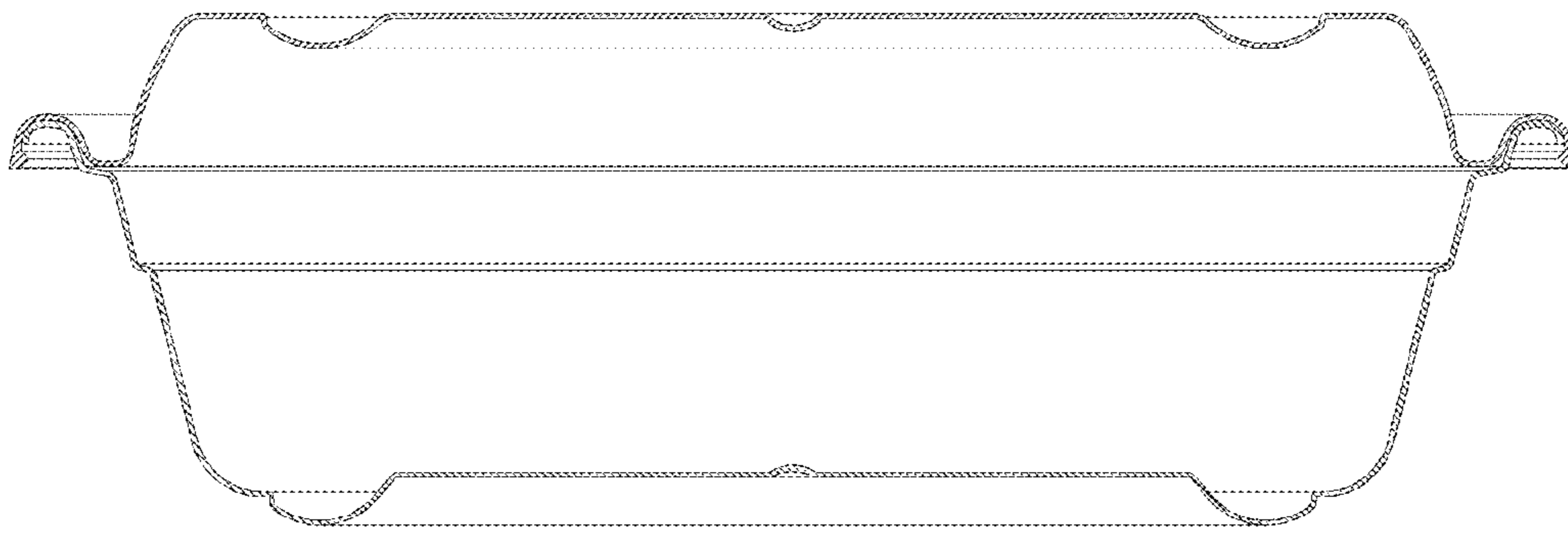


FIG. 10