



US00D680858S

(12) **United States Design Patent**
Clark et al.

(10) **Patent No.:** **US D680,858 S**
(45) **Date of Patent:** **** *Apr. 30, 2013**

- (54) **COMBINED CONFECTIONARY PRODUCT PACKAGE AND DISPENSER**
- (75) Inventors: **Kerri Clark**, Morristown, NJ (US); **Ron Young**, Morris Plains, NJ (US); **Martin Short**, Jersey City, NJ (US); **Robert Croft**, Jersey City, NJ (US)
- (73) Assignee: **Kraft Foods Global Brands LLC**, Northfield, IL (US)

- 4,667,849 A 5/1987 Hansen
- 4,767,023 A 8/1988 Hackmann et al.
- 4,854,478 A 8/1989 Gyimothy
- 4,961,520 A 10/1990 White
- 5,009,535 A 4/1991 Oilar
- 5,372,267 A 12/1994 Hofmann
- 5,405,047 A 4/1995 Hansen
- 5,579,933 A 12/1996 Hofmann
- 5,709,306 A 1/1998 Hofmann
- 5,881,920 A 3/1999 Seager et al.

(Continued)

(*) Notice: This patent is subject to a terminal disclaimer.

(**) Term: **14 Years**

(21) Appl. No.: **29/373,315**

(22) Filed: **Mar. 29, 2011**

(51) **LOC (9) Cl.** **09-03**

(52) **U.S. Cl.**
USPC **D9/414**

(58) **Field of Classification Search** D9/414,
D9/416, 423, 428, 430-433, 444, 449, 455,
D9/501-503, 508, 519, 522, 529, 531, 537,
D9/545, 548-552, 554, 558, 560, 564, 574,
D9/575, 688-692, 711, 737, 738, 740-742,
D9/744, 751, 755-756, 760, 415; D24/216,
D24/516; 222/131; 206/446; 312/111
See application file for complete search history.

(56) **References Cited**

U.S. PATENT DOCUMENTS

- 1,490,892 A 4/1924 Rod
- 1,889,232 A 11/1932 Ware
- 2,233,120 A 2/1941 Andonov
- 3,130,862 A 4/1964 Lachance
- 3,637,109 A 1/1972 Stifter
- 4,154,365 A 5/1979 Lorca
- 4,354,619 A 10/1982 Wippermann et al.
- 4,653,668 A 3/1987 Gibilisco et al.

OTHER PUBLICATIONS

<http://www.reuseit.com/store/double-walled-glass-water-bottle-with-filter-aquavo-p-275> . . . searched RMS Oct. 25, 2012.*

(Continued)

Primary Examiner — Robert M Spear

Assistant Examiner — Rhea Shields

(74) *Attorney, Agent, or Firm* — Hoffmann & Baron, LLP

(57) **CLAIM**

The ornamental design for a combined confectionary product package and dispenser, as shown and described.

DESCRIPTION

FIG. 1 is a side perspective view of a combined confectionary product package and dispenser of the new design.

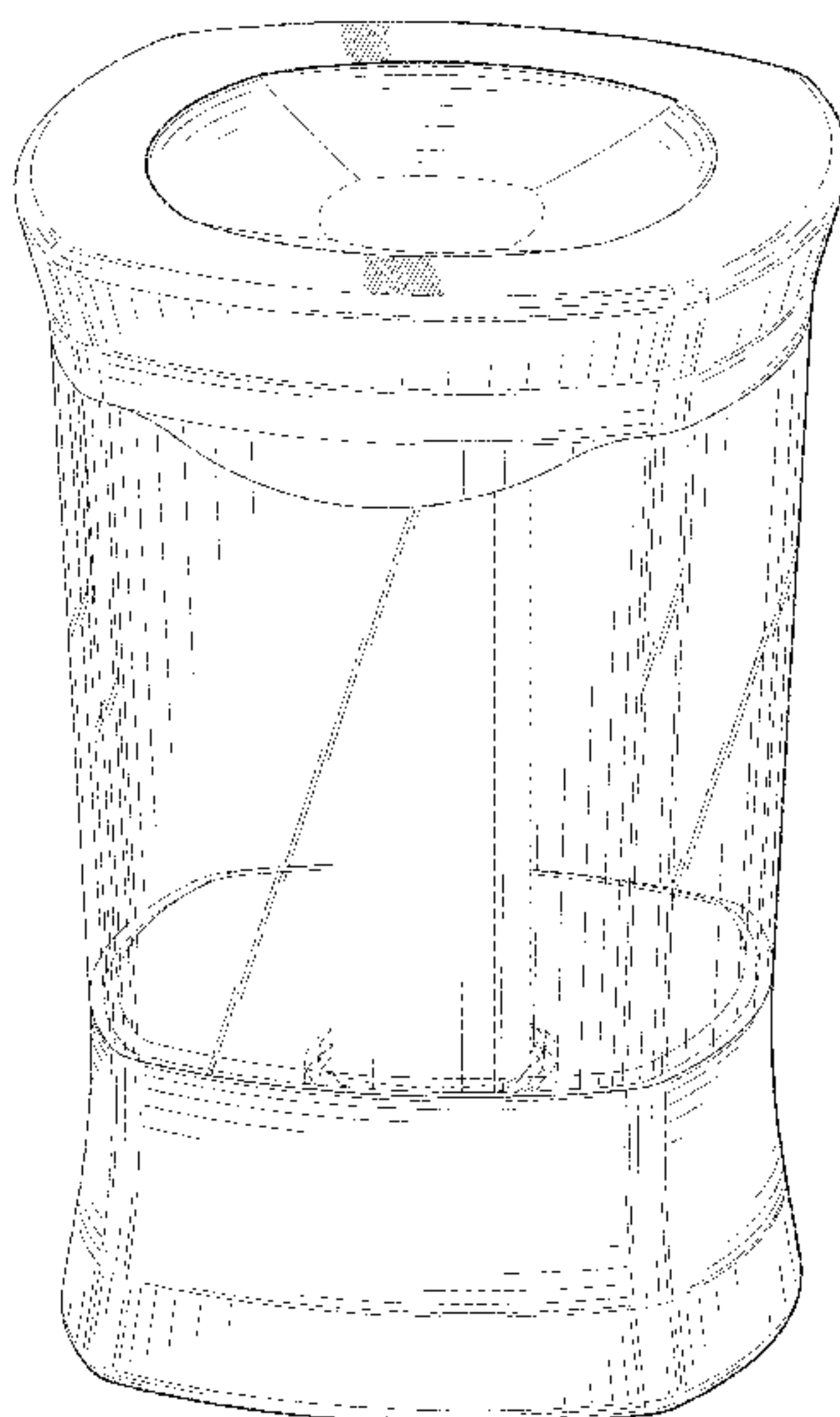
FIGS. 2 and 3 are front and back elevational views, respectively, of the combined confectionary product package and dispenser of FIG. 1.

FIG. 4 is a top plan view of the combined confectionary product package and dispenser of FIG. 1; and,

FIG. 5 is a bottom plan view of the combined confectionary product package and dispenser of FIG. 1.

The broken line portion of the Figures is included to show unclaimed subject matter and forms no part of the claimed design.

1 Claim, 5 Drawing Sheets



US D680,858 S

Page 2

U.S. PATENT DOCUMENTS

5,947,345 A 9/1999 Hofmann
6,039,215 A 3/2000 Bell
6,085,927 A * 7/2000 Kusz 220/23.87
6,105,823 A 8/2000 Seager et al.
6,220,480 B1 4/2001 Stankus et al.
6,889,869 B2 5/2005 Hallin
6,948,634 B2 9/2005 Evans et al.
7,073,685 B1 7/2006 Giraud et al.
7,159,739 B2 1/2007 Fenton et al.
7,243,817 B2 7/2007 Giraud
7,360,669 B2 4/2008 Drajan

7,703,447 B2 4/2010 Caveza
D624,789 S * 10/2010 Bodum D7/510
D628,494 S * 12/2010 Aebi D9/687
D634,212 S * 3/2011 Kruezkamp et al. D9/690

OTHER PUBLICATIONS

<http://www.amazon.com/Bodum-Double-Wall-16-Ounce-Thermal-Plastic/dp/B004QZA5> . . . searched RMS Oct. 25, 2012.*
<http://www.oempromo.com/product/Containers/1/10-Oz--H2go-G10d-Double-Wall-Glas> . . . searched RMS Oct. 25, 2012.*

* cited by examiner

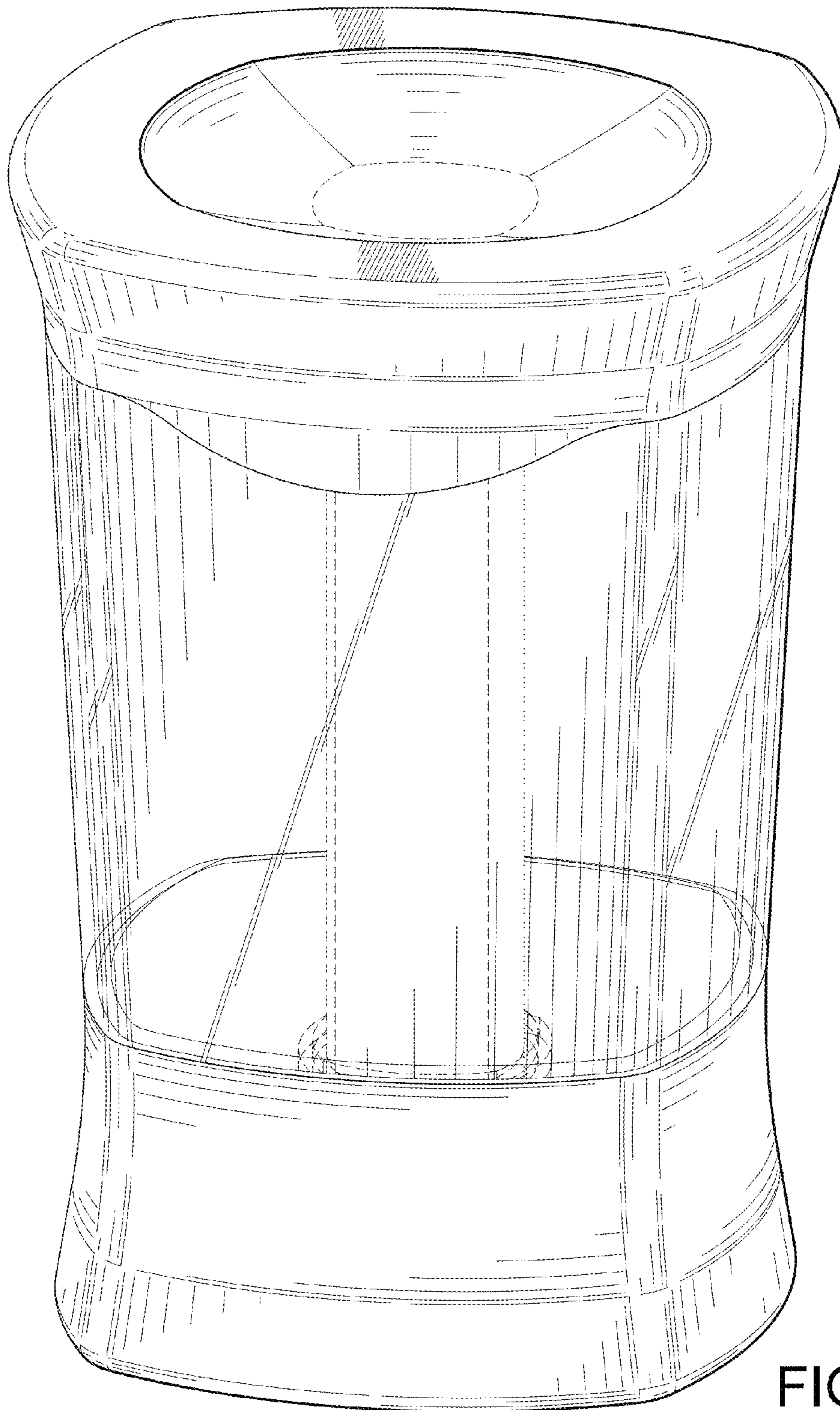


FIG. 1

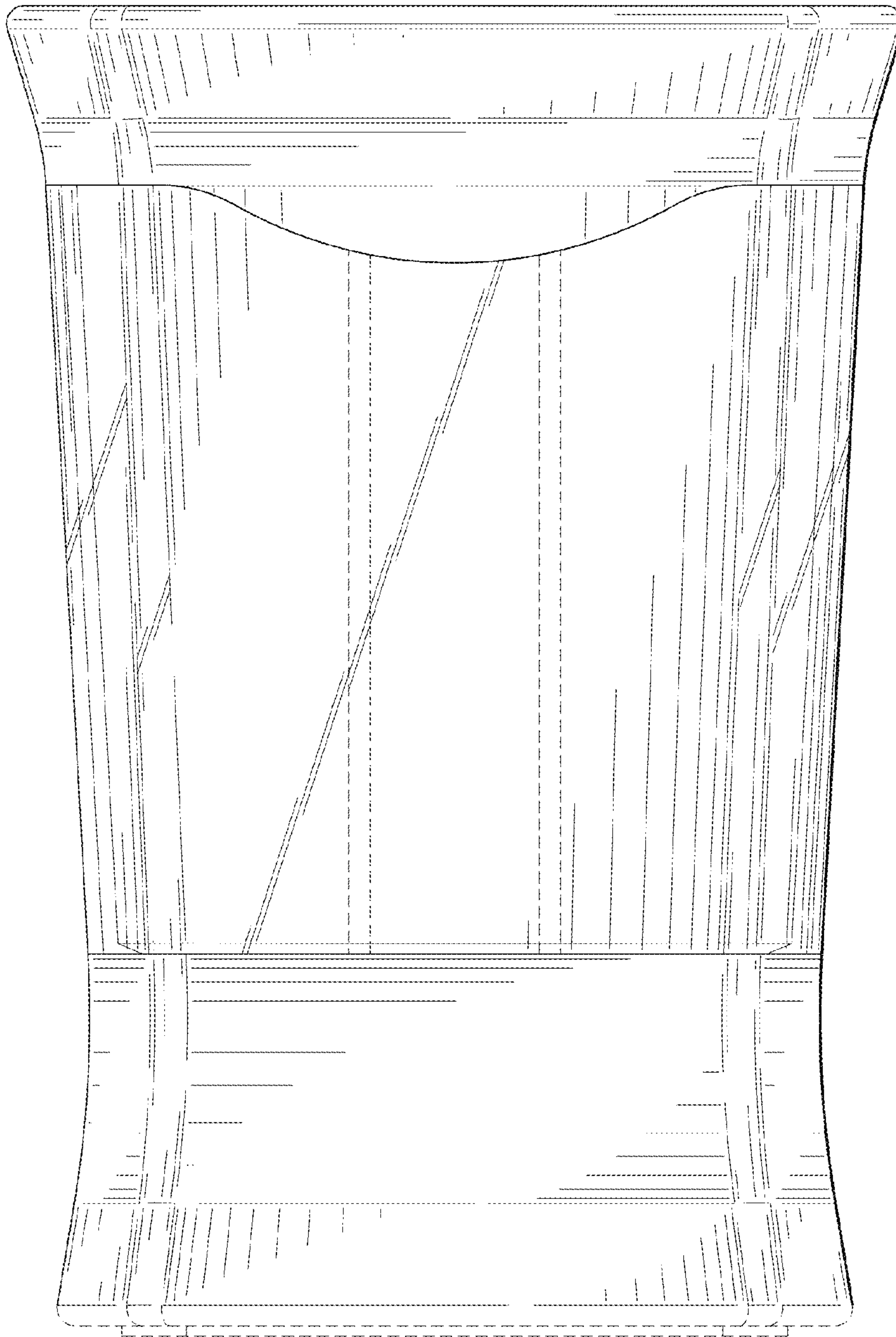


FIG. 2

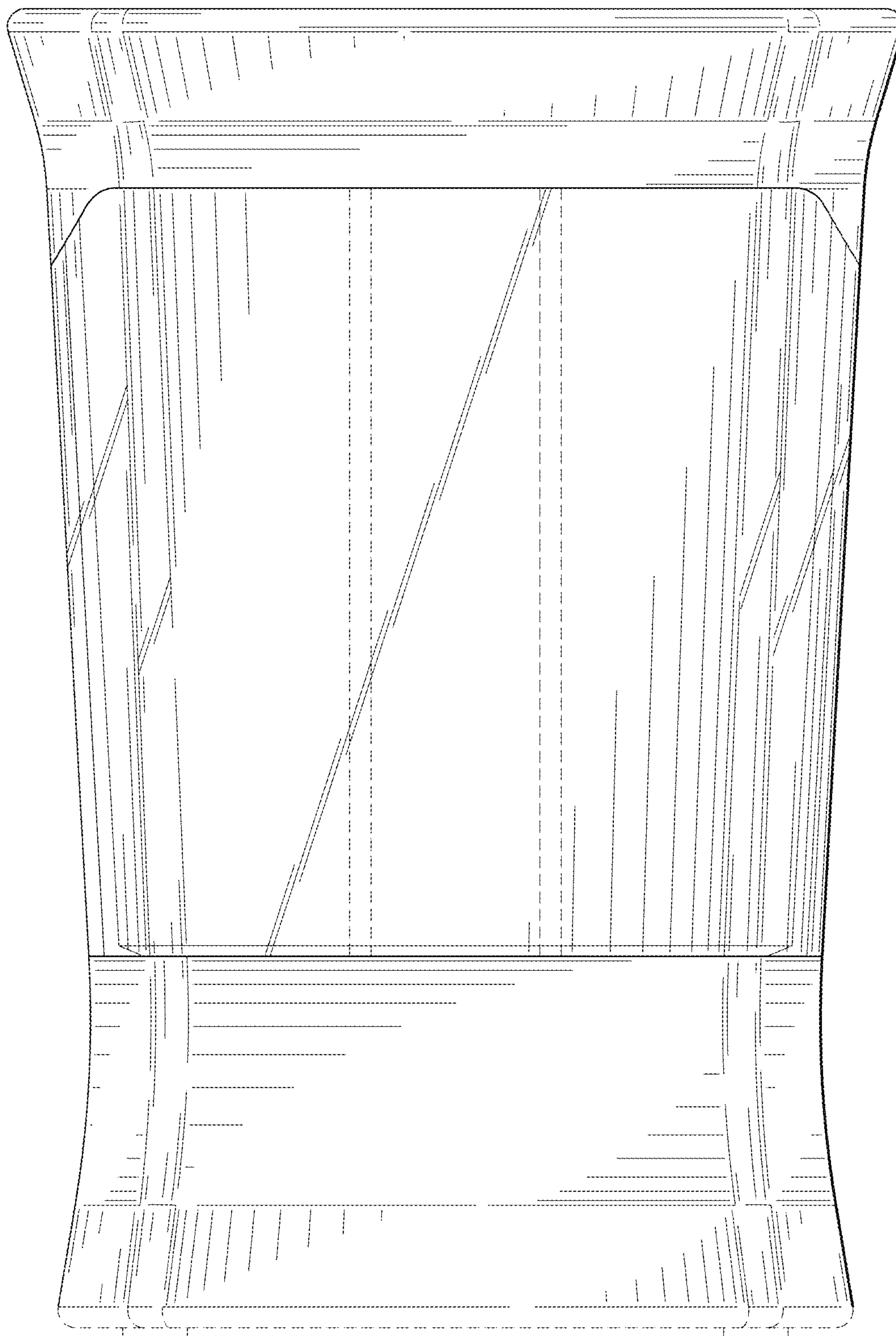


FIG. 3

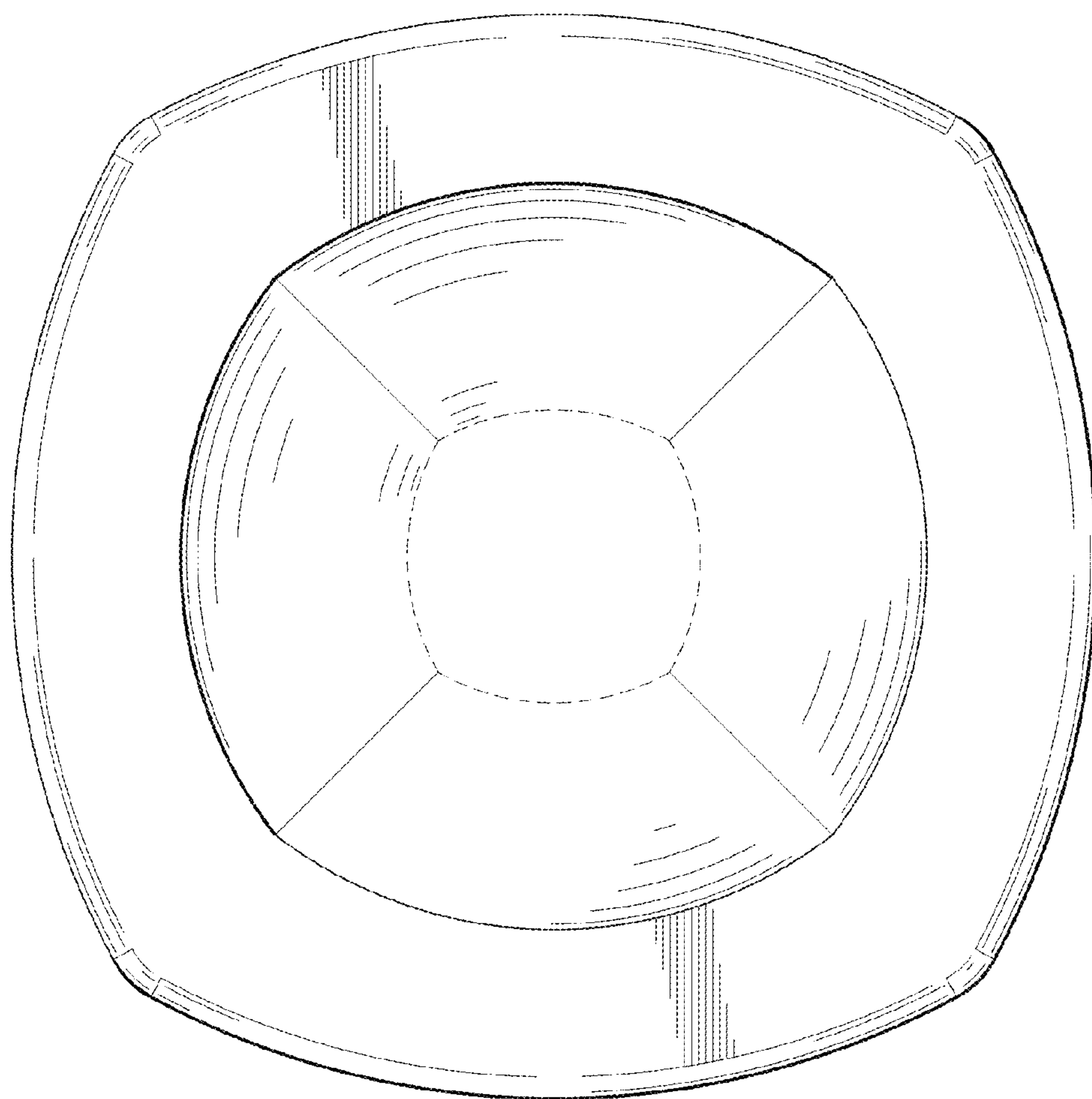


FIG. 4

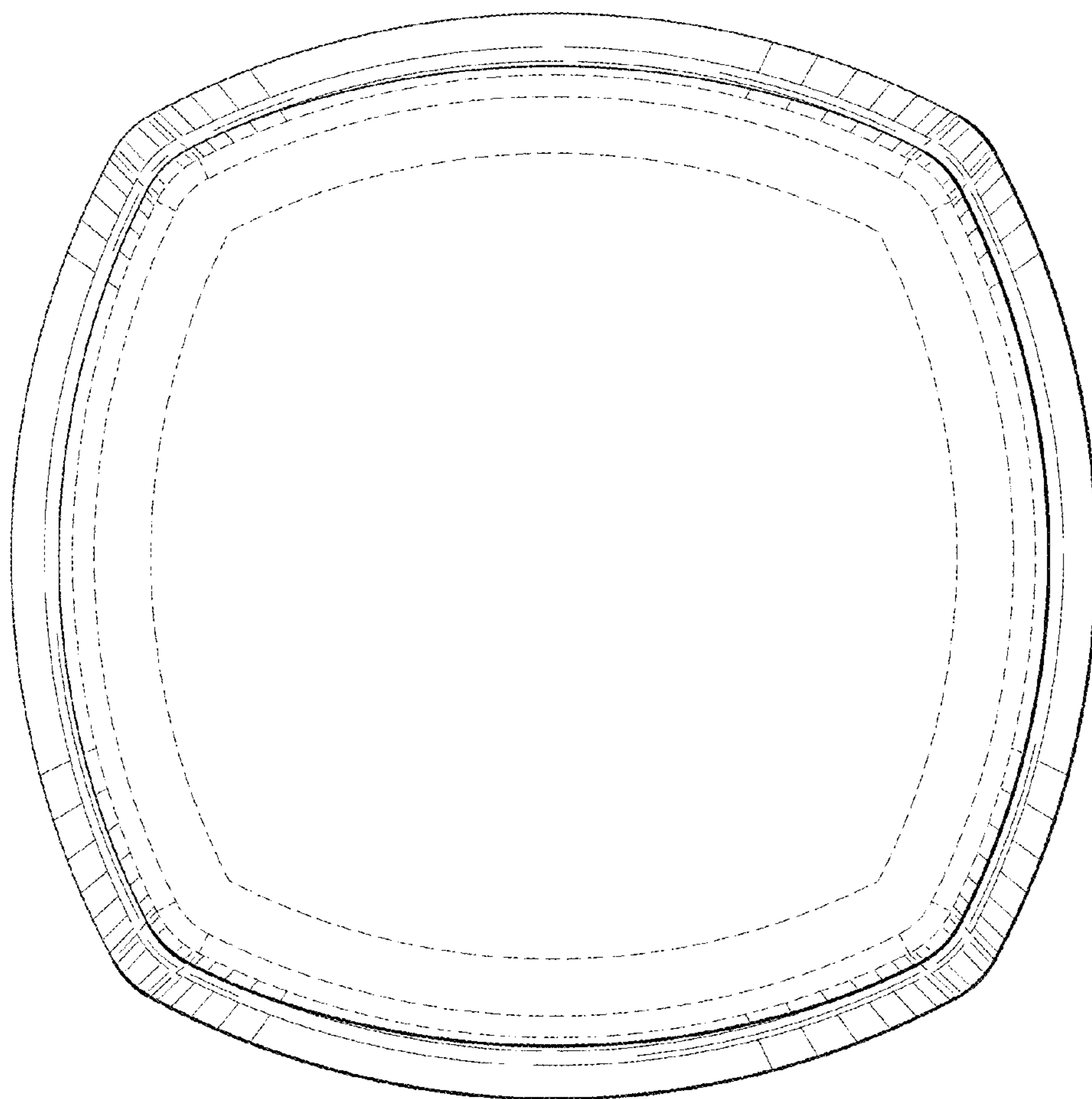


FIG. 5