



US00D680857S

(12) **United States Design Patent**
Rumpel

(10) **Patent No.:** **US D680,857 S**

(45) **Date of Patent:** **** Apr. 30, 2013**

(54) **CANE HOLDER**

(76) Inventor: **Donald Rumpel**, Kellogg, ID (US)

(**) Term: **14 Years**

(21) Appl. No.: **29/421,514**

(22) Filed: **Aug. 6, 2012**

(51) **LOC (9) Cl.** **08-08**

(52) **U.S. Cl.**
USPC **D8/395**; D8/396

(58) **Field of Classification Search** D8/354,
D8/356, 371, 394-396; D19/65, 86; D24/128;
248/74.2, 215, 227.1, 49, 300, 301, 316.7,
248/51, 489; 24/570, 3.12; D32/61; D11/78.1
See application file for complete search history.

(56) **References Cited**

U.S. PATENT DOCUMENTS

D45,862	S	*	6/1914	Dunham	D11/210
D194,785	S	*	3/1963	Sasse et al.	D20/43
4,121,798	A	*	10/1978	Schumacher et al.	248/113
D297,813	S	*	9/1988	Marx	D8/394
D328,187	S	*	7/1992	Saurette	D9/434
5,794,895	A	*	8/1998	Besserer et al.	248/73
D428,330	S	*	7/2000	Johnston et al.	D8/395

6,585,204	B1	*	7/2003	Haertzen	248/211
D552,463	S	*	10/2007	French et al.	D8/395
D610,441	S	*	2/2010	Jones	D8/394
D644,504	S	*	9/2011	Rieder	D8/395
D669,773	S	*	10/2012	Colasse	D8/395

* cited by examiner

Primary Examiner — John Windmuller

(74) *Attorney, Agent, or Firm* — John S. Reid

(57) **CLAIM**

The ornamental design for a cane holder, as shown and described.

DESCRIPTION

FIG. 1 is an isometric view of the cane holder of my design. FIG. 2 is a right side elevation view of the cane holder of FIG. 1.

FIG. 3 is a left side elevation view of the cane holder of FIG. 1.

FIG. 4 is a top plan view of the cane holder of FIG. 1.

FIG. 5 is a bottom plan view of the cane holder of FIG. 1.

FIG. 6 is a front elevation view of the cane holder of FIG. 1; and,

FIG. 7 is a bottom plan view of the cane holder of FIG. 1.

1 Claim, 3 Drawing Sheets

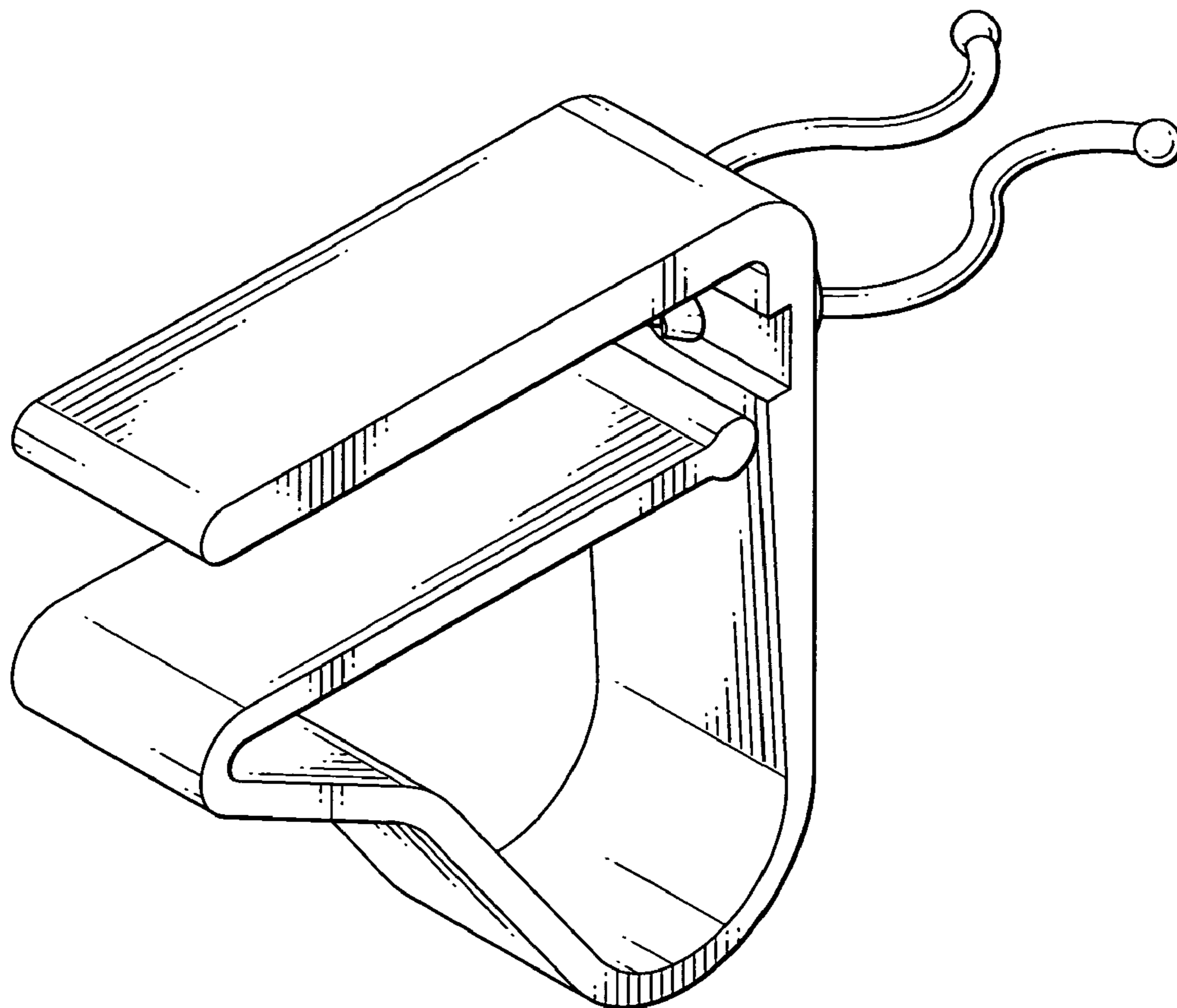


FIG. 1

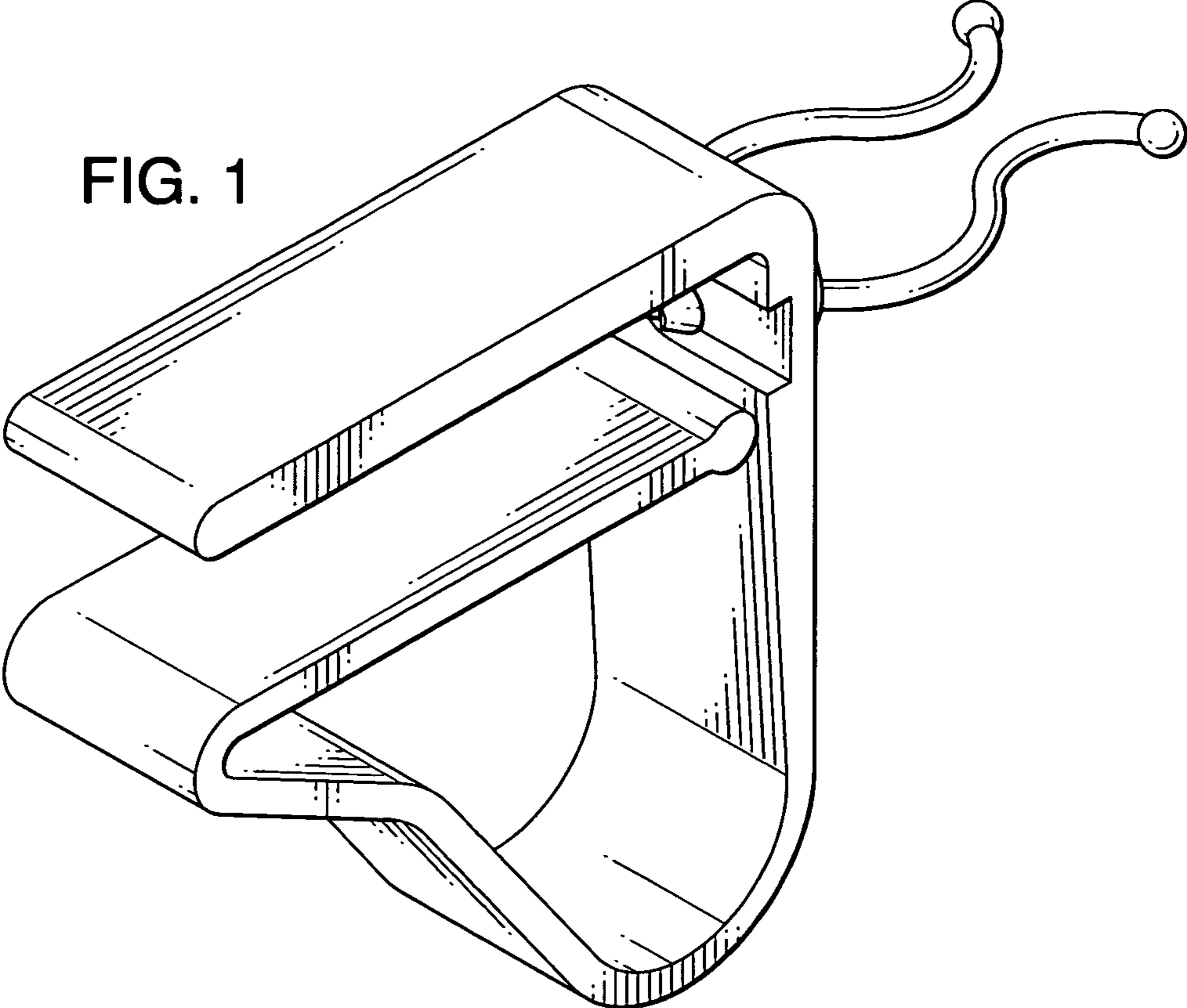
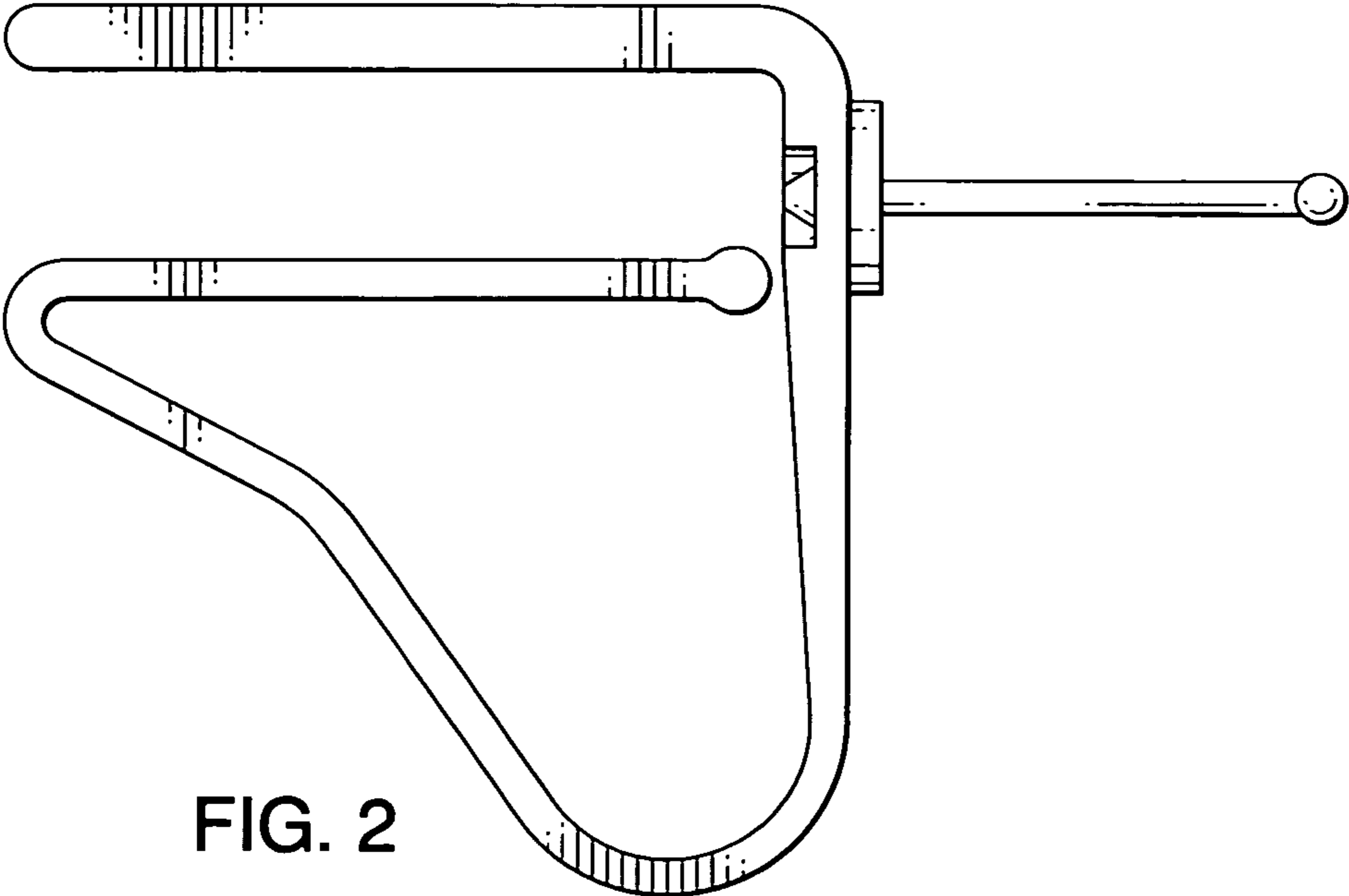


FIG. 2



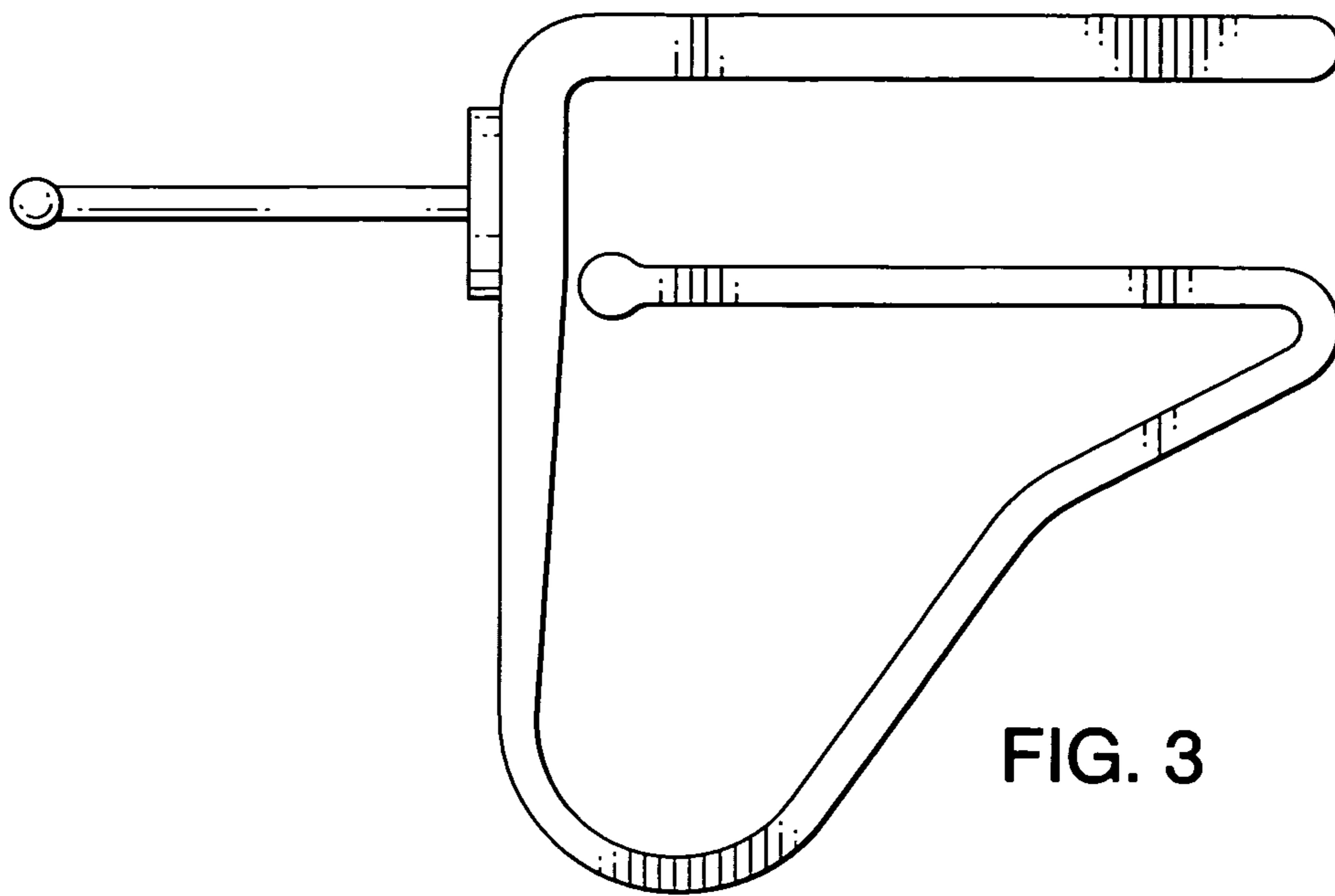


FIG. 3

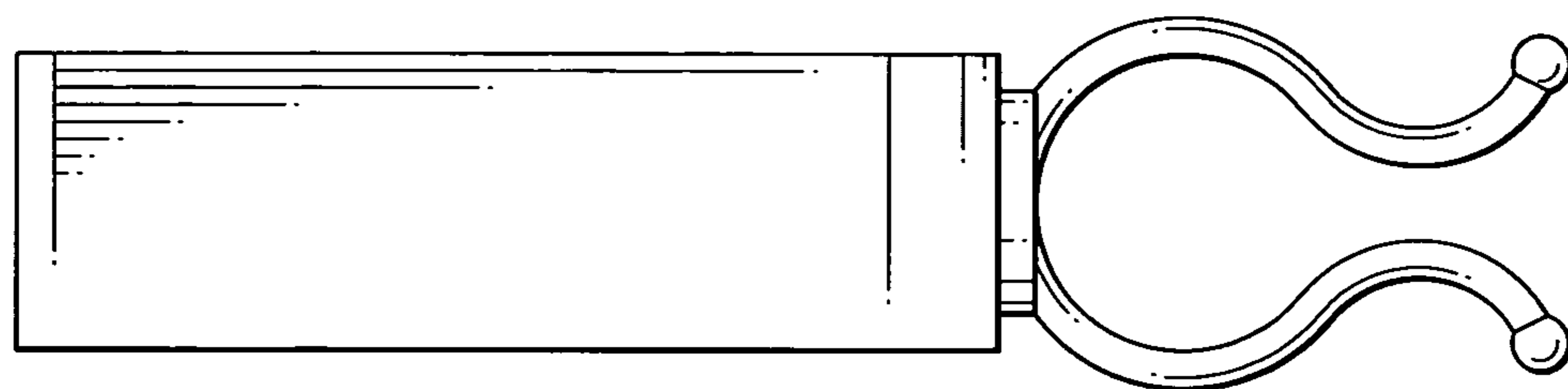


FIG. 4

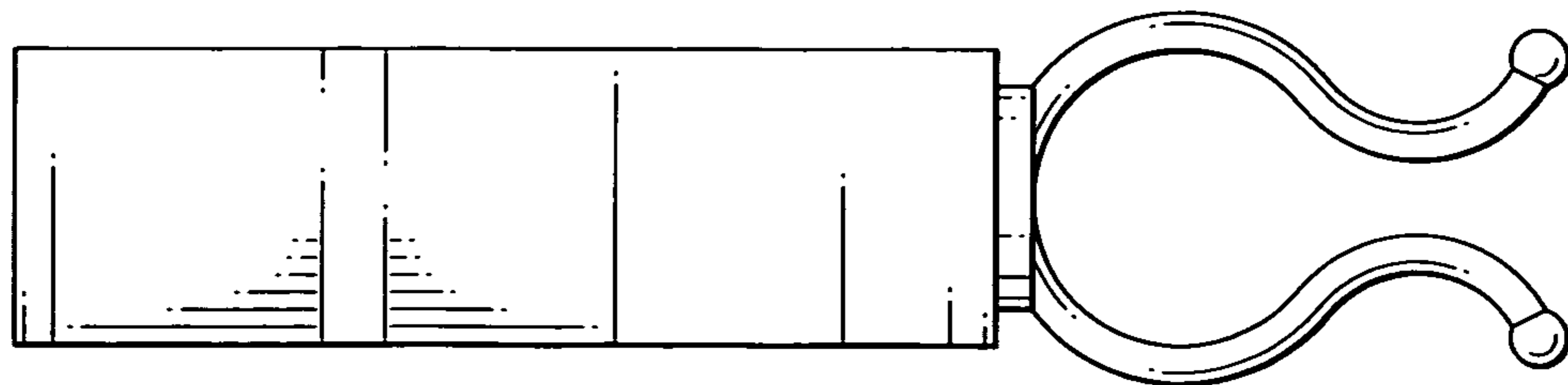


FIG. 5

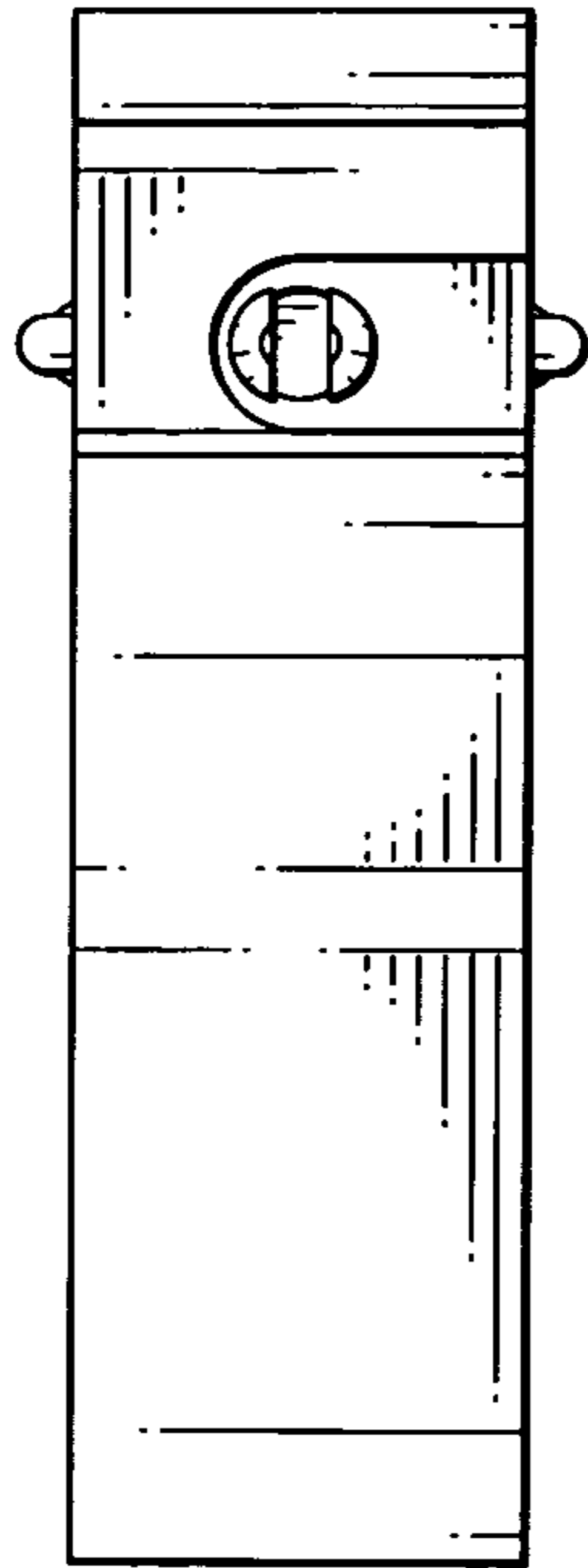


FIG. 6

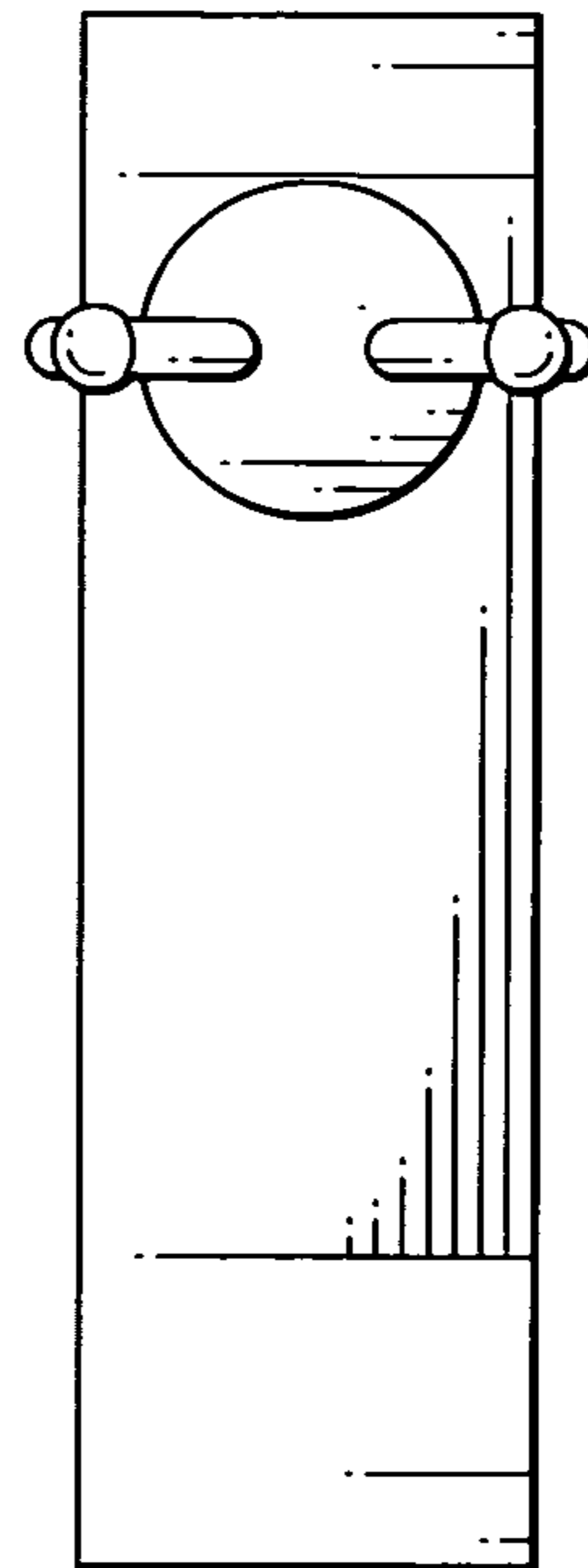


FIG. 7