



US00D680856S

(12) **United States Design Patent**  
**Jebara et al.**

(10) **Patent No.:** **US D680,856 S**  
(45) **Date of Patent:** **\*\* Apr. 30, 2013**

(54) **FOOTWEAR CLAMP BAG ACCESSORY**  
(75) Inventors: **Nour Jebara**, Far Hills, NJ (US); **Liam Van Der Merwe**, Basking Ridge, NJ (US)

4,953,714 A	9/1990	Paul
5,042,118 A	8/1991	Rubik
5,664,719 A	9/1997	Bigham et al.
6,402,105 B1	6/2002	Hoyt et al.
6,932,312 B1 *	8/2005	Chen ..... 248/316.1
6,966,533 B1 *	11/2005	Kalis et al. .... 248/316.4
D547,048 S *	7/2007	Conway et al. .... D3/10
7,775,410 B2	8/2010	Zamzow
2006/0002134 A1	1/2006	Capriola

(73) Assignee: **Sterko, LLC**, Far Hills, NJ (US)

(\*\*) Term: **14 Years**

**FOREIGN PATENT DOCUMENTS**

(21) Appl. No.: **29/389,182**

CN	201315890 Y	9/2009
GB	2409807 A	7/2005
WO	9902934	1/1999

(22) Filed: **Apr. 7, 2011**

(51) **LOC (9) Cl.** ..... **08-03**

\* cited by examiner

(52) **U.S. Cl.**

*Primary Examiner* — John Windmuller

USPC ..... **D8/394**

(74) *Attorney, Agent, or Firm* — Amster, Rothstein & Ebenstein, LLP

(58) **Field of Classification Search** ..... D8/354,  
D8/356, 371, 394–396; D19/65, 86; D24/128;  
248/74.2, 215, 227.1, 49, 300, 301, 316.7,  
248/51, 489; 24/570, 3.12; D32/61; D11/78.1  
See application file for complete search history.

(57) **CLAIM**

The ornamental design for a footwear clamp bag accessory, as shown and described.

(56) **References Cited**

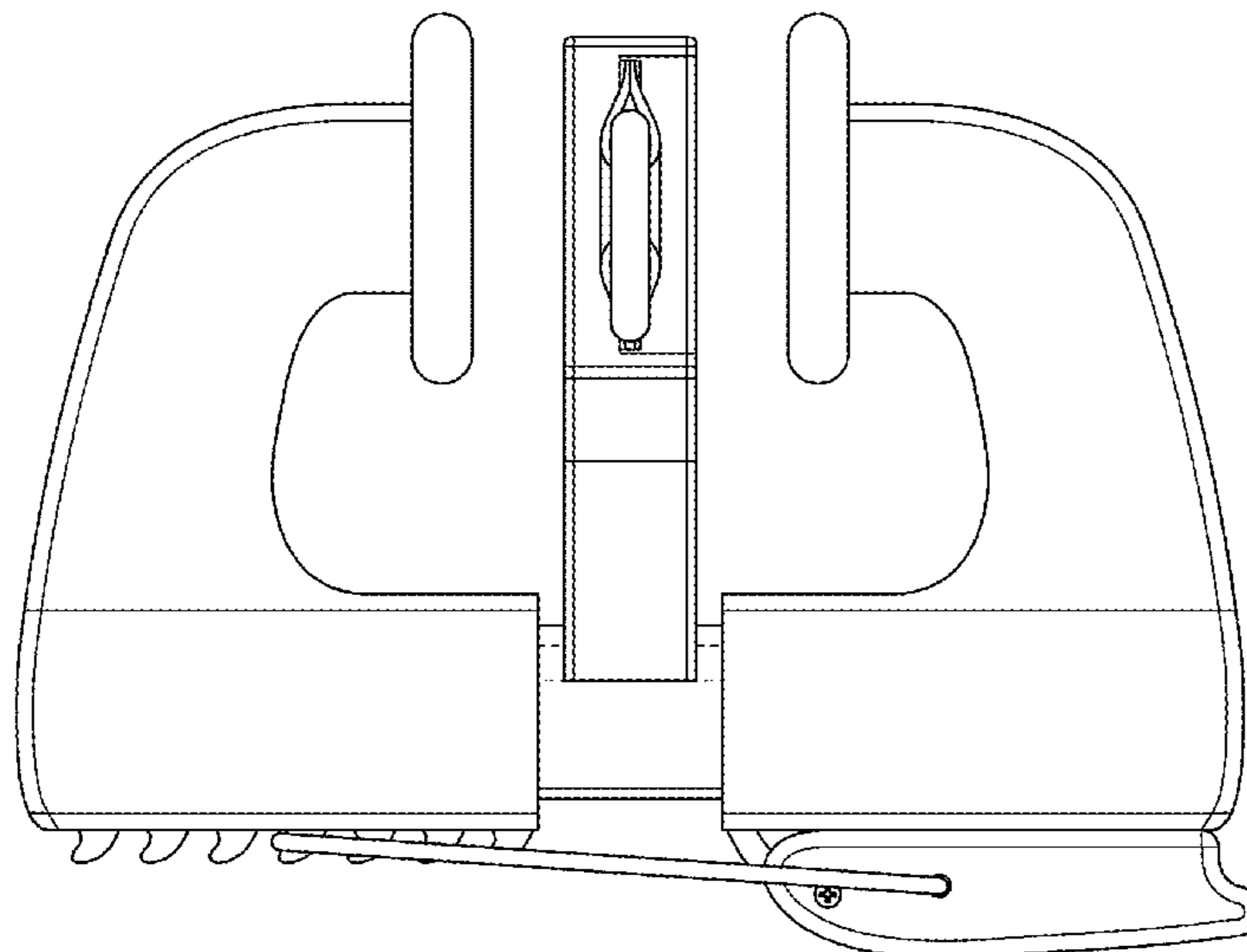
**DESCRIPTION**

**U.S. PATENT DOCUMENTS**

1,516,489 A *	11/1924	Barton	24/523
1,746,962 A	2/1930	Perry	
2,376,097 A	5/1945	Stamm	
2,641,366 A	6/1949	Burch	
2,787,379 A	4/1957	Fritz et al.	
2,812,066 A	11/1957	Volosin	
2,969,151 A	1/1961	Krstulovich	
2,977,000 A	3/1961	Sitzman	
3,237,225 A	3/1966	Schleman	
3,249,231 A	5/1966	Matlock	
3,317,054 A	5/1967	Gies	
3,802,572 A	4/1974	Shackel	
4,094,030 A	6/1978	Saad	
4,536,926 A *	8/1985	Pantaleo	24/523
4,629,103 A	12/1986	Miller	
4,669,615 A	6/1987	Zigman	
4,796,337 A	1/1989	Marxer	
4,942,994 A	7/1990	Sterenberg	

FIG. 1 is a top, front perspective view of the footwear clamp bag accessory showing our new design in use;  
FIG. 2 is a top view of the footwear clamp bag accessory;  
FIG. 3 is a bottom view thereof;  
FIG. 4 is a side view thereof;  
FIG. 5 is an opposite side view thereof;  
FIG. 6 is a rear view thereof;  
FIG. 7 is a front view thereof; and,  
FIG. 8 is a top, front perspective view thereof in use.  
The dot-dash lines in the figures depict environment only and form no part of the claimed design.  
A portion of the footwear clamp bag accessory is shown broken away to indicate that it has no particular length beyond what is shown.

**1 Claim, 7 Drawing Sheets**



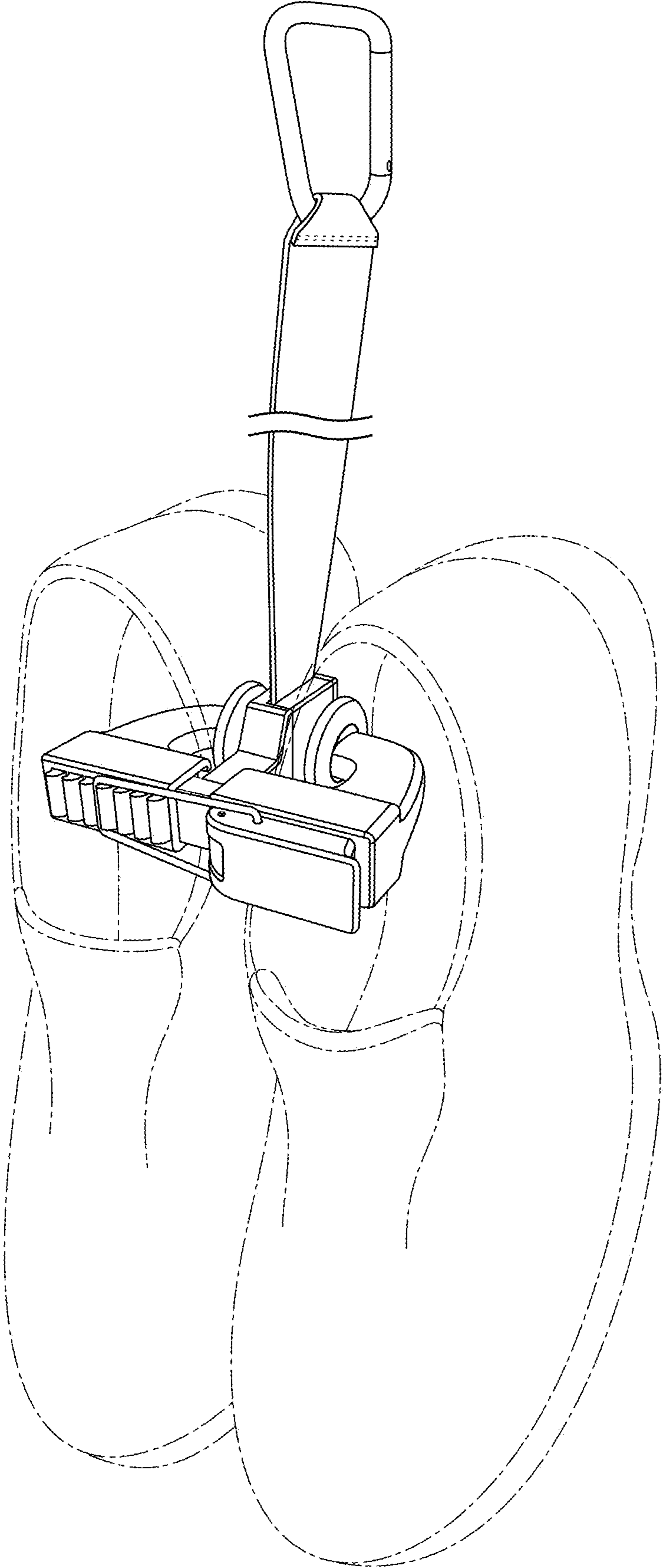


FIG. 1

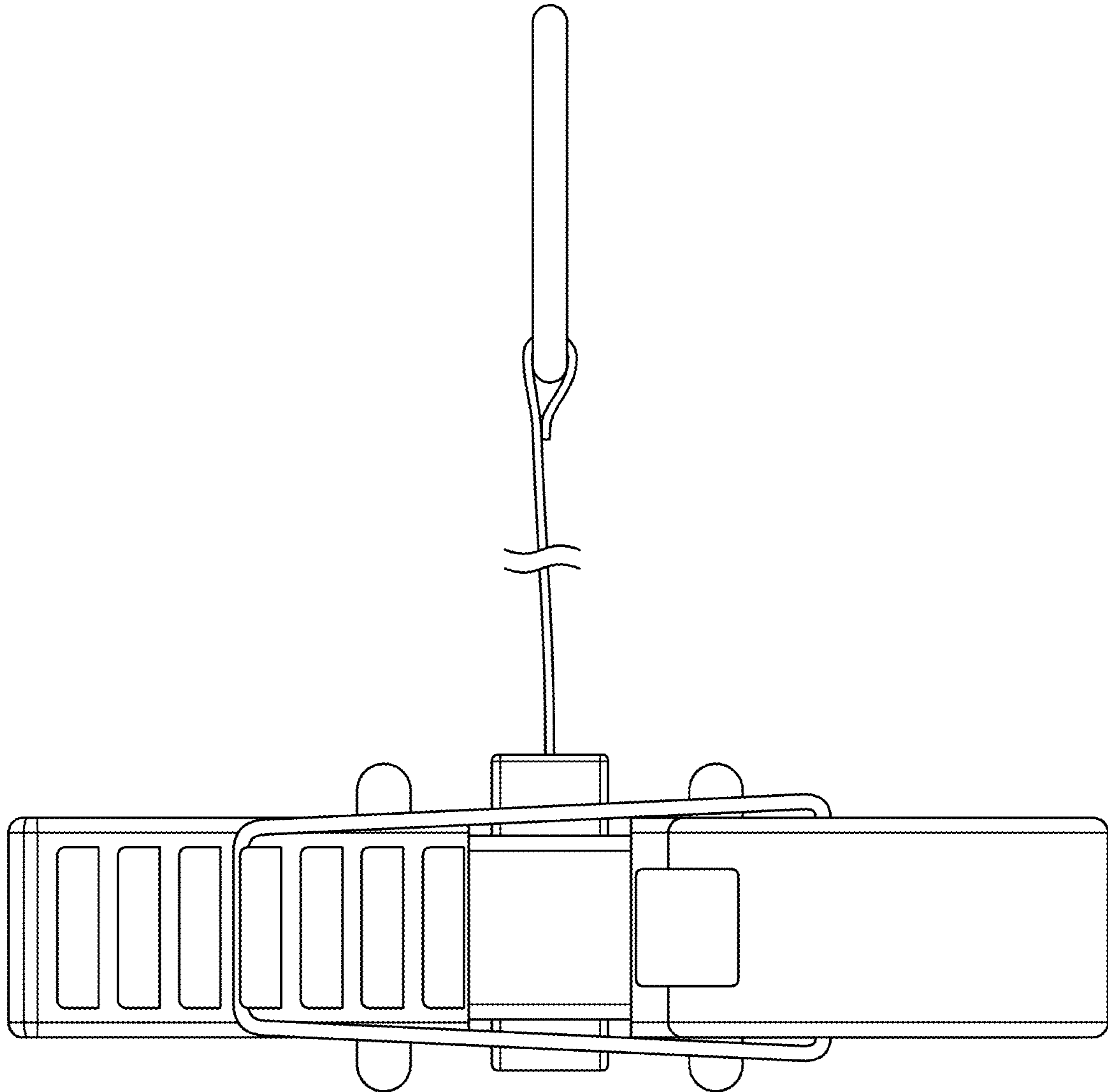


FIG. 2

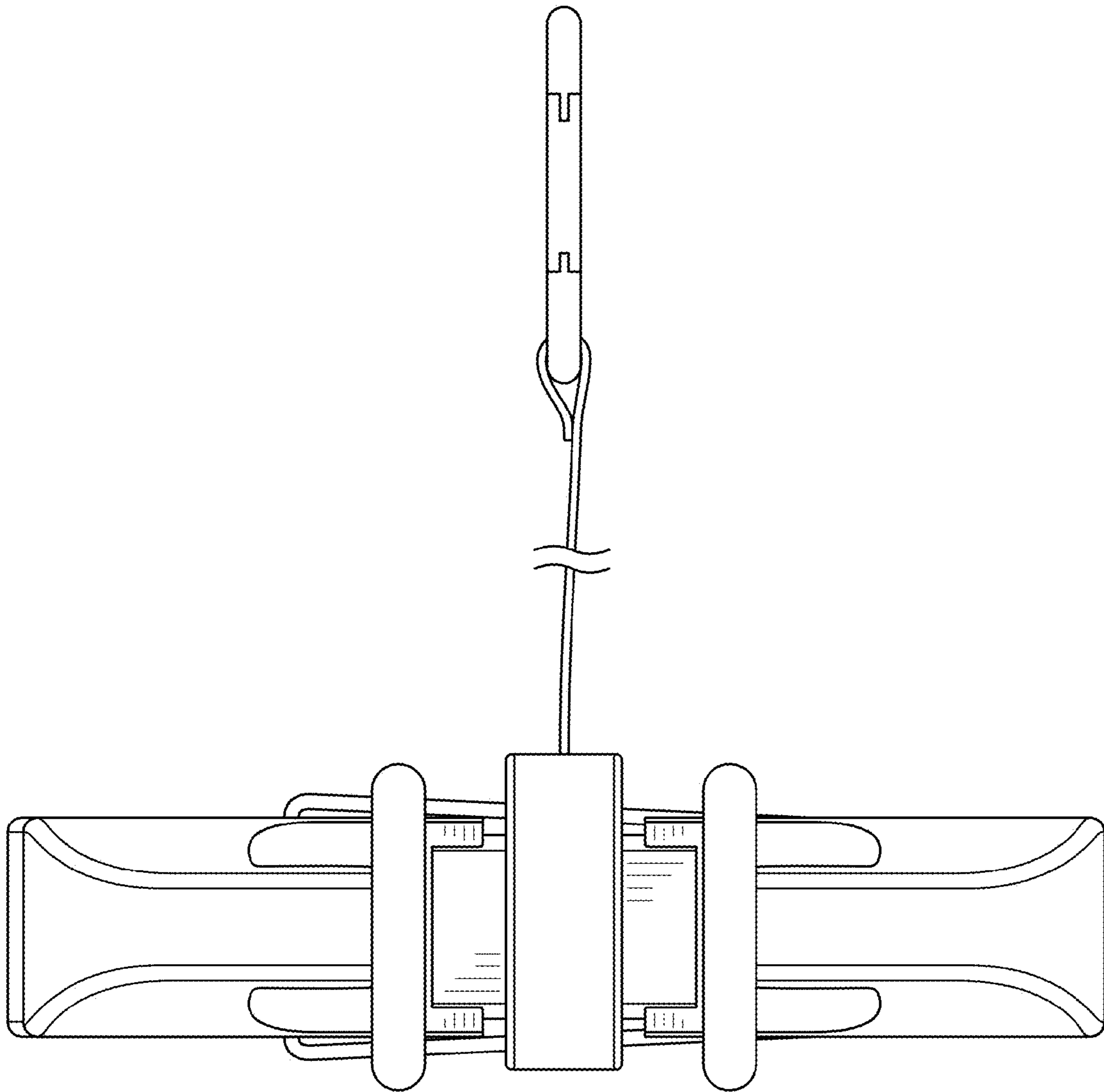


FIG. 3

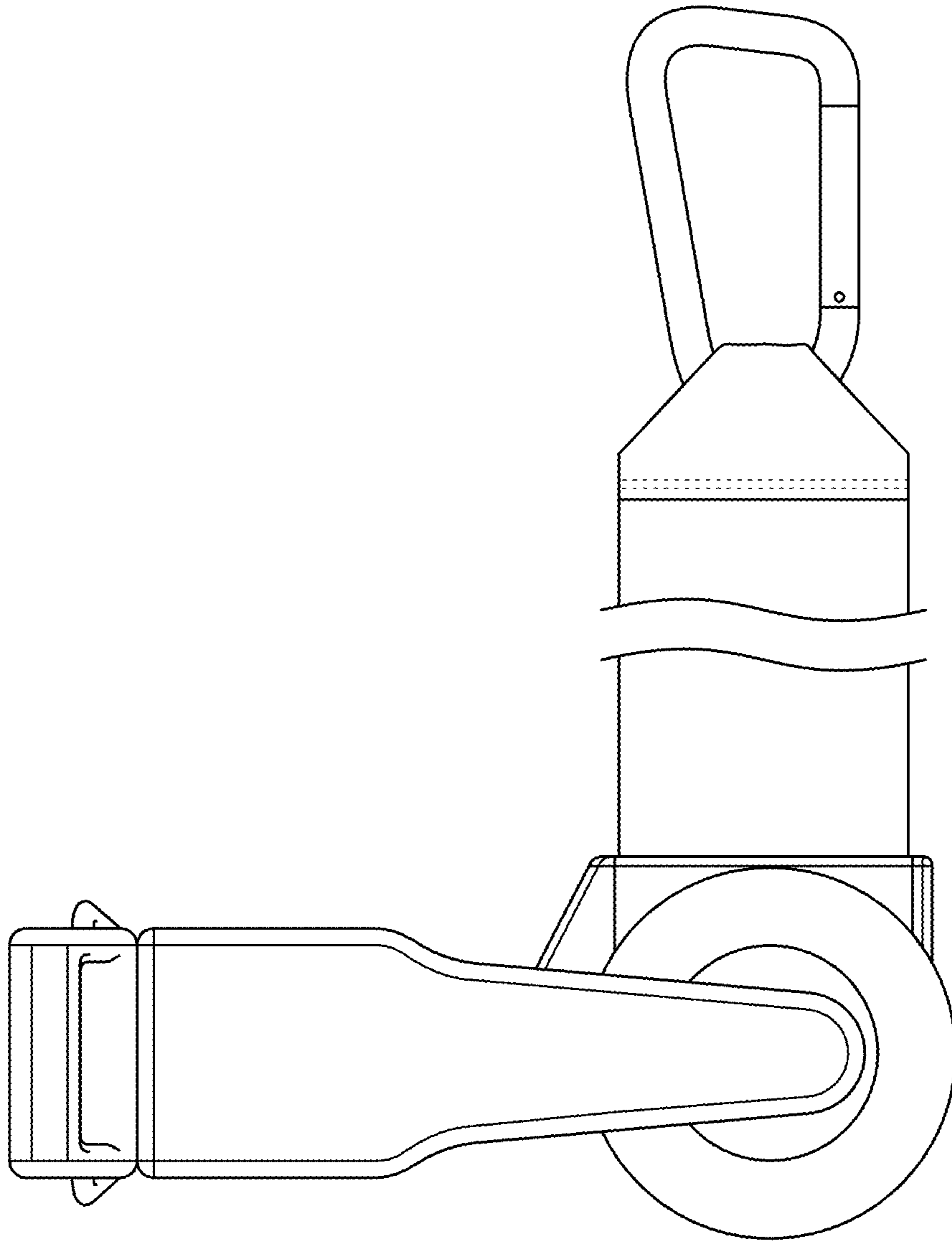


FIG. 4

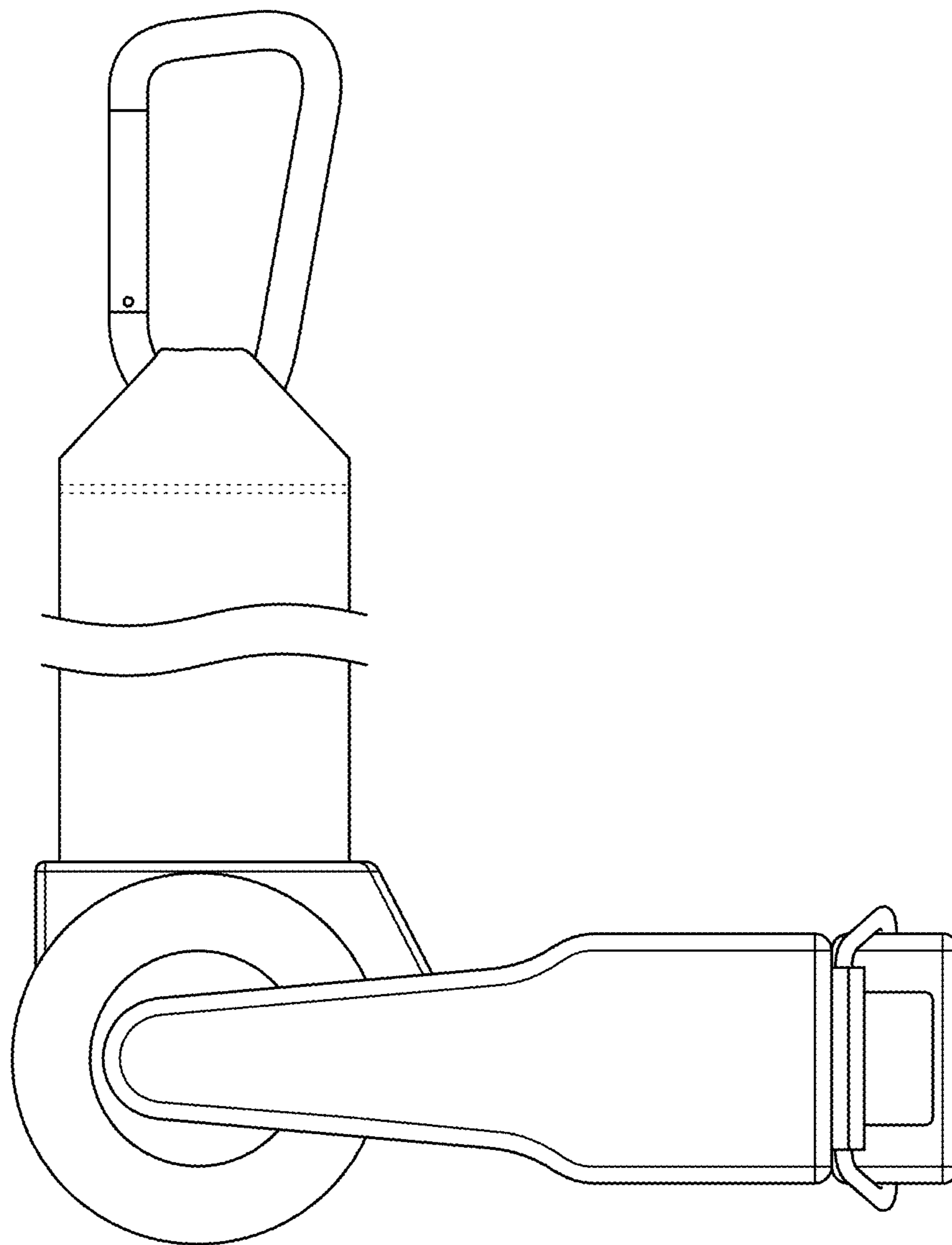


FIG. 5

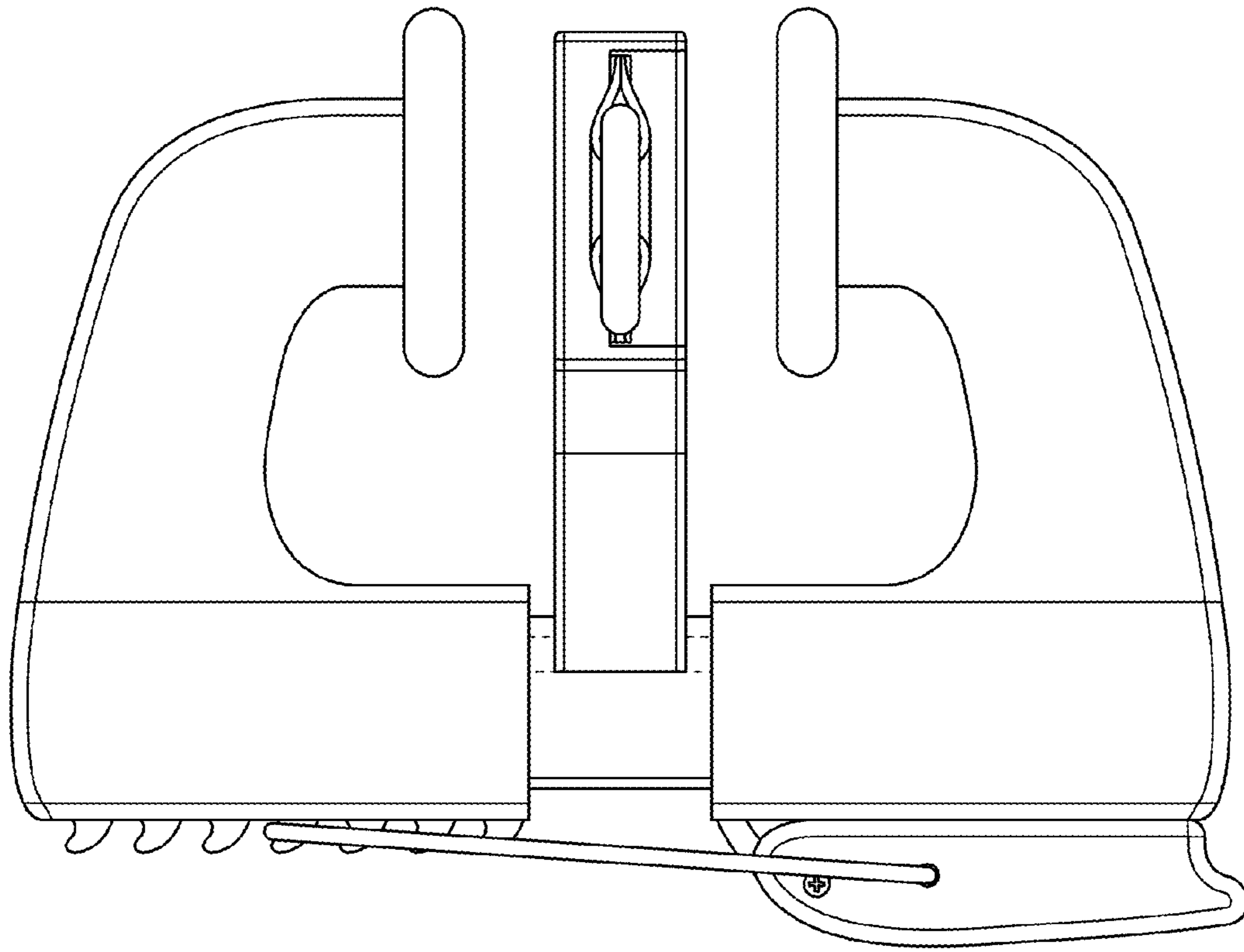


FIG. 6

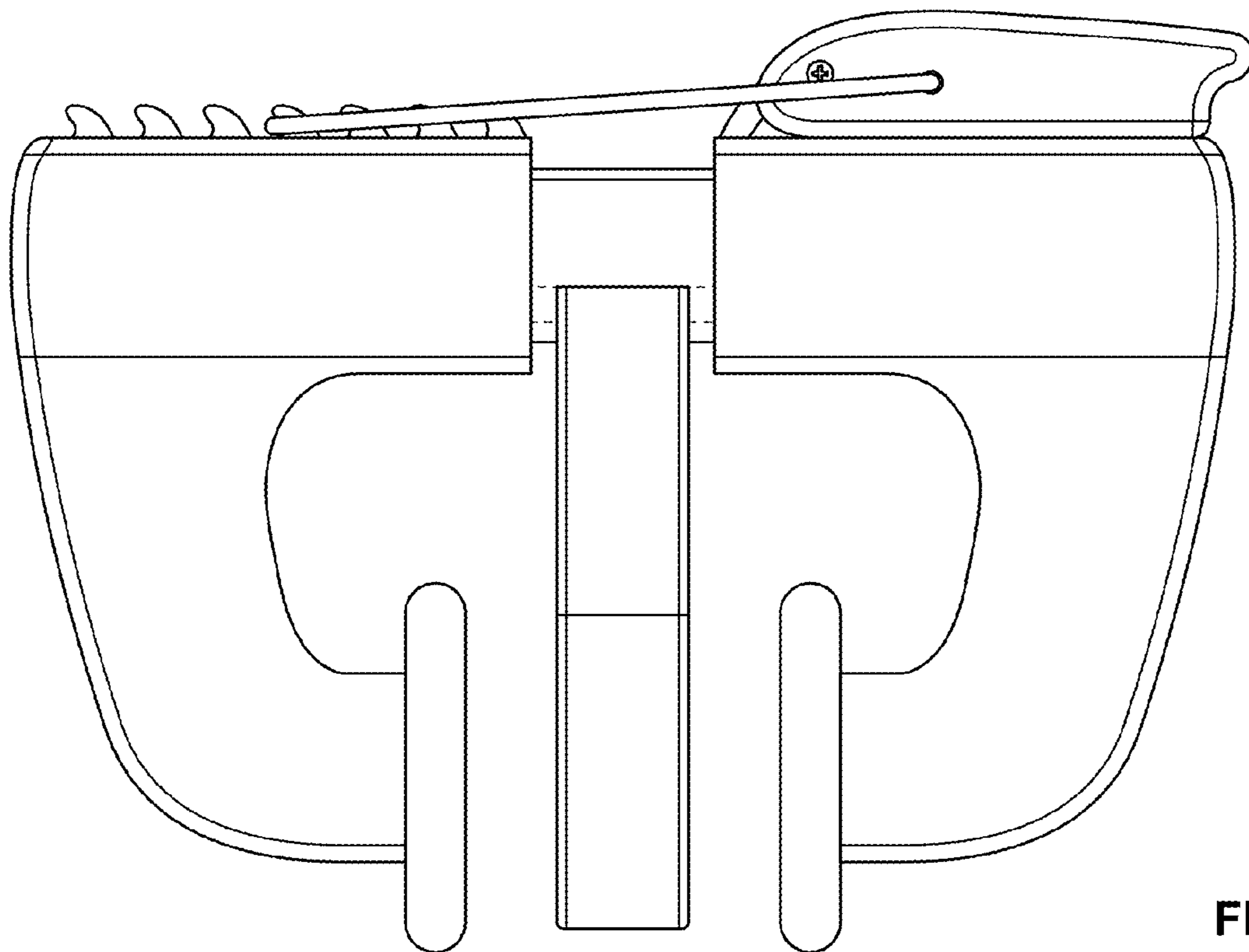


FIG. 7

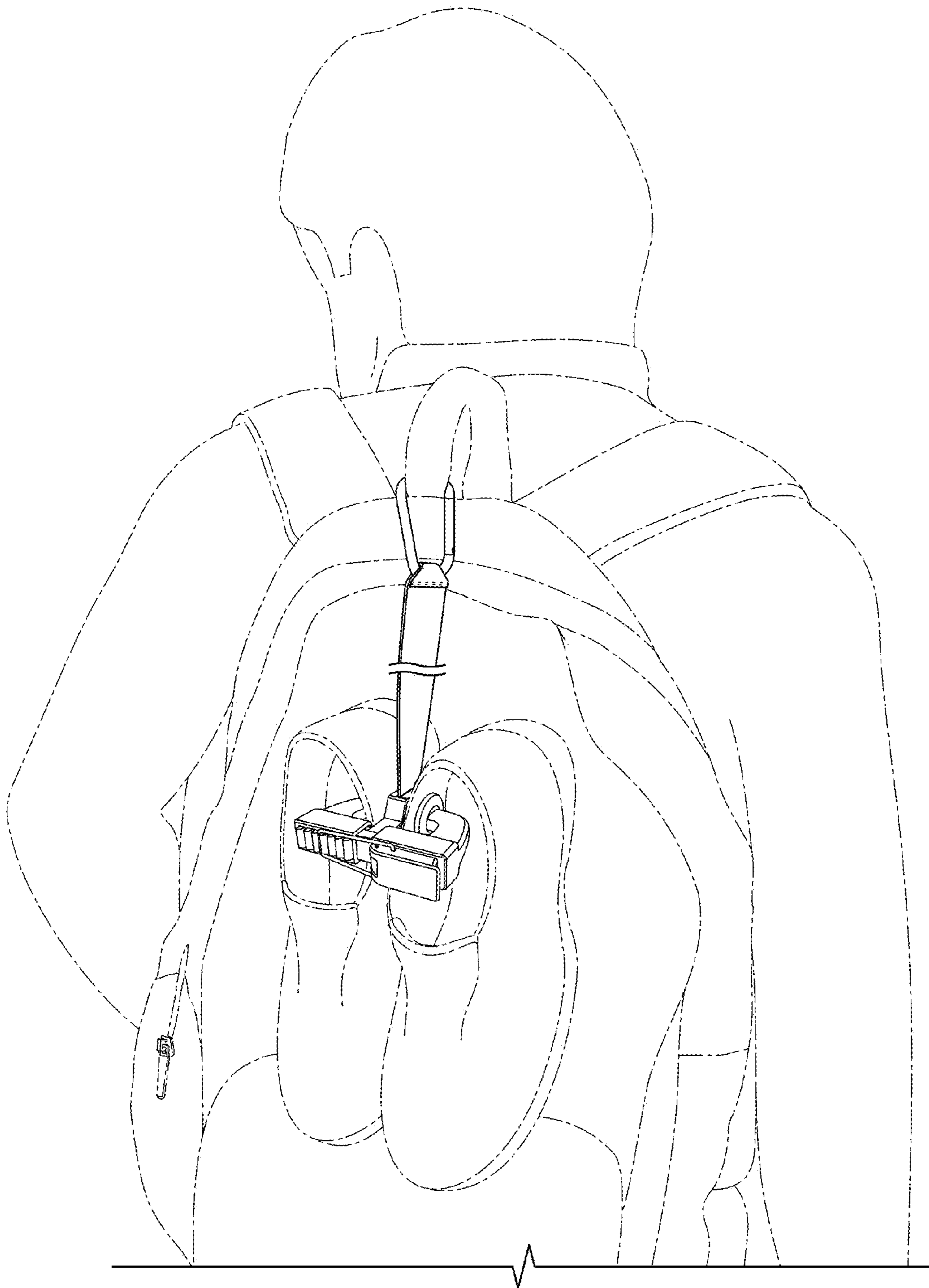


FIG. 8