



US00D680855S

(12) **United States Design Patent**  
**Kadoishi et al.**

(10) **Patent No.:** **US D680,855 S**

(45) **Date of Patent:** **\*\* Apr. 30, 2013**

(54) **CORD LOCK**

(74) *Attorney, Agent, or Firm* — Manabu Kanesaka

(75) Inventors: **Yumiko Kadoishi**, Yokohama (JP); **Koji Yokota**, Yachiyo (JP); **Keisuke Fujita**, Kasukabe (JP)

(57) **CLAIM**  
The ornamental design for a cord lock, as shown and described.

(73) Assignees: **Nifco Inc.**, Yokohama-Shi (JP); **Morito Co., Ltd.**, Osaka-Shi (JP)

**DESCRIPTION**

(\*\*) Term: **14 Years**

(21) Appl. No.: **29/371,910**

(22) Filed: **Jan. 13, 2012**

(30) **Foreign Application Priority Data**

Jul. 15, 2011 (JP) ..... 2011-016331

(51) **LOC (9) Cl.** ..... **08-08**

(52) **U.S. Cl.**  
USPC ..... **D8/383**

(58) **Field of Classification Search** ..... D8/383,  
D8/356, 394-396; 24/115 G, 115 R, 136 R,  
24/115 M; D2/978; D11/212, 215  
See application file for complete search history.

(56) **References Cited**

U.S. PATENT DOCUMENTS

D417,388 S *	12/1999	Kawahara	.....	D8/383
D454,777 S *	3/2002	Yoshiguchi	.....	D8/383
D455,337 S *	4/2002	Maruoka	.....	D8/383
D481,301 S *	10/2003	Nezu	.....	D8/383
D535,870 S *	1/2007	Yoshiguchi	.....	D8/383
D560,477 S *	1/2008	Yoshie et al.	.....	D8/383
D585,271 S *	1/2009	Yoshie	.....	D8/383
D659,524 S *	5/2012	Kawaguchi	.....	D8/383

\* cited by examiner

*Primary Examiner* — Sheryl Lane

**1 Claim, 7 Drawing Sheets**

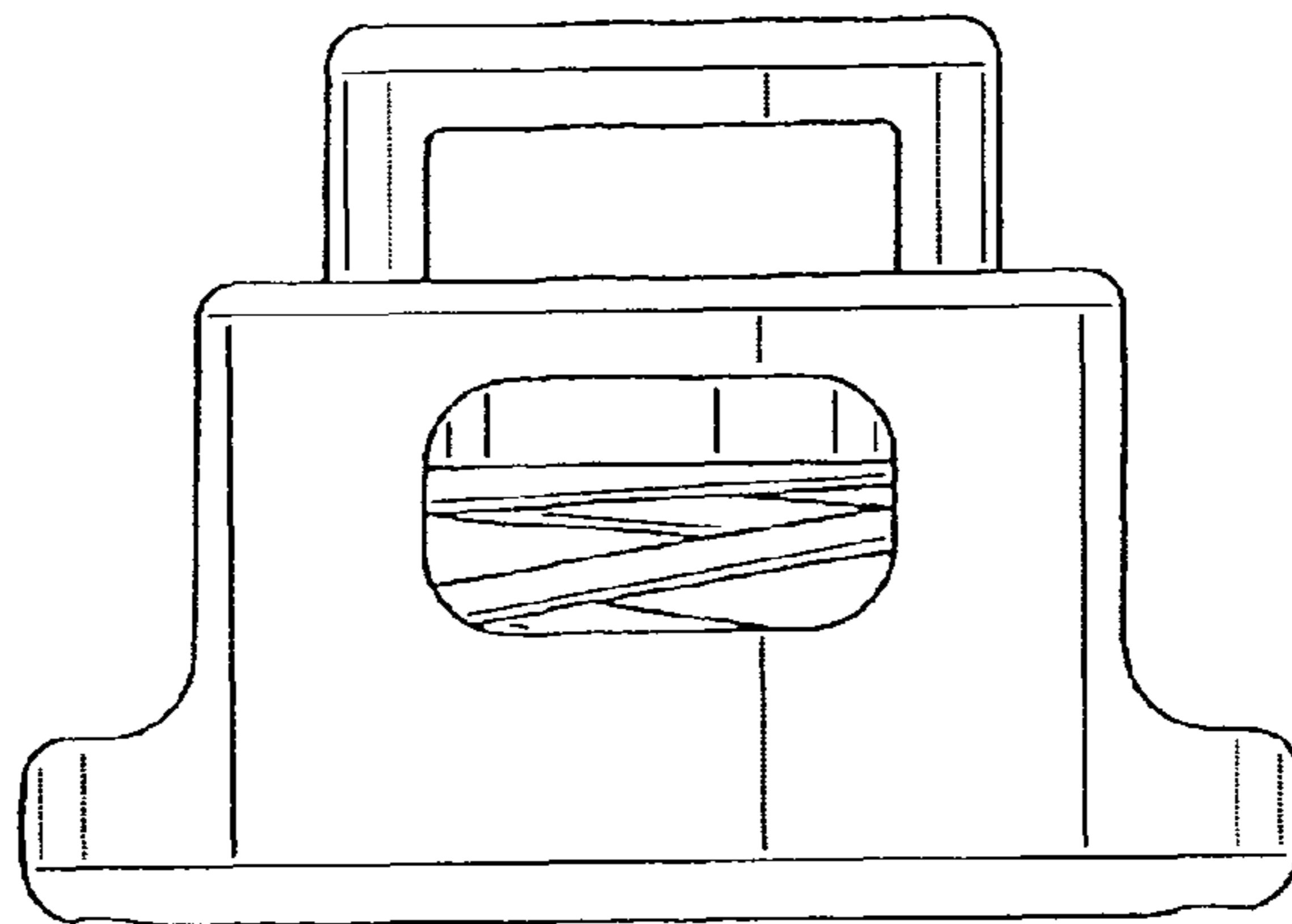


Fig. 1

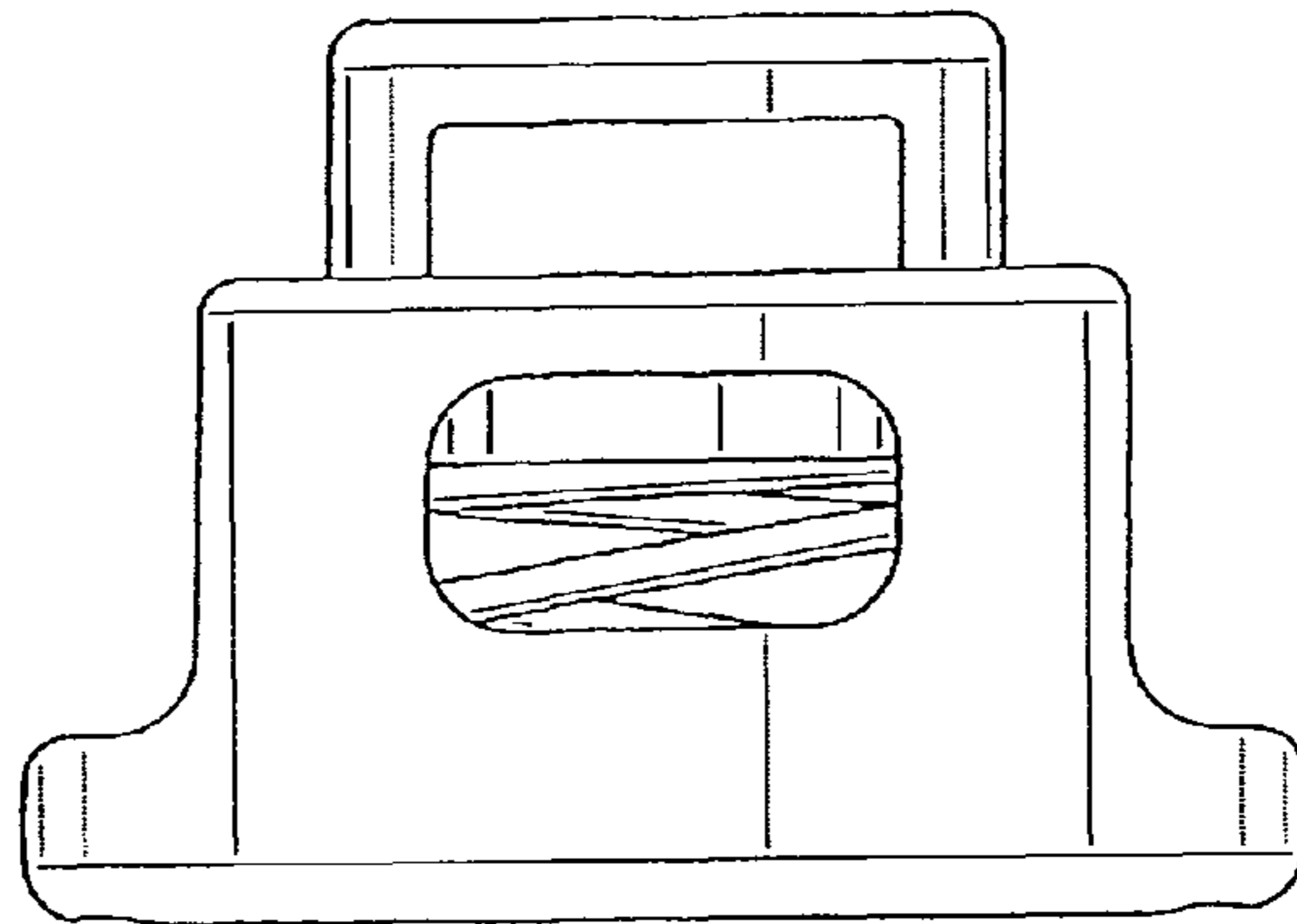


Fig. 2

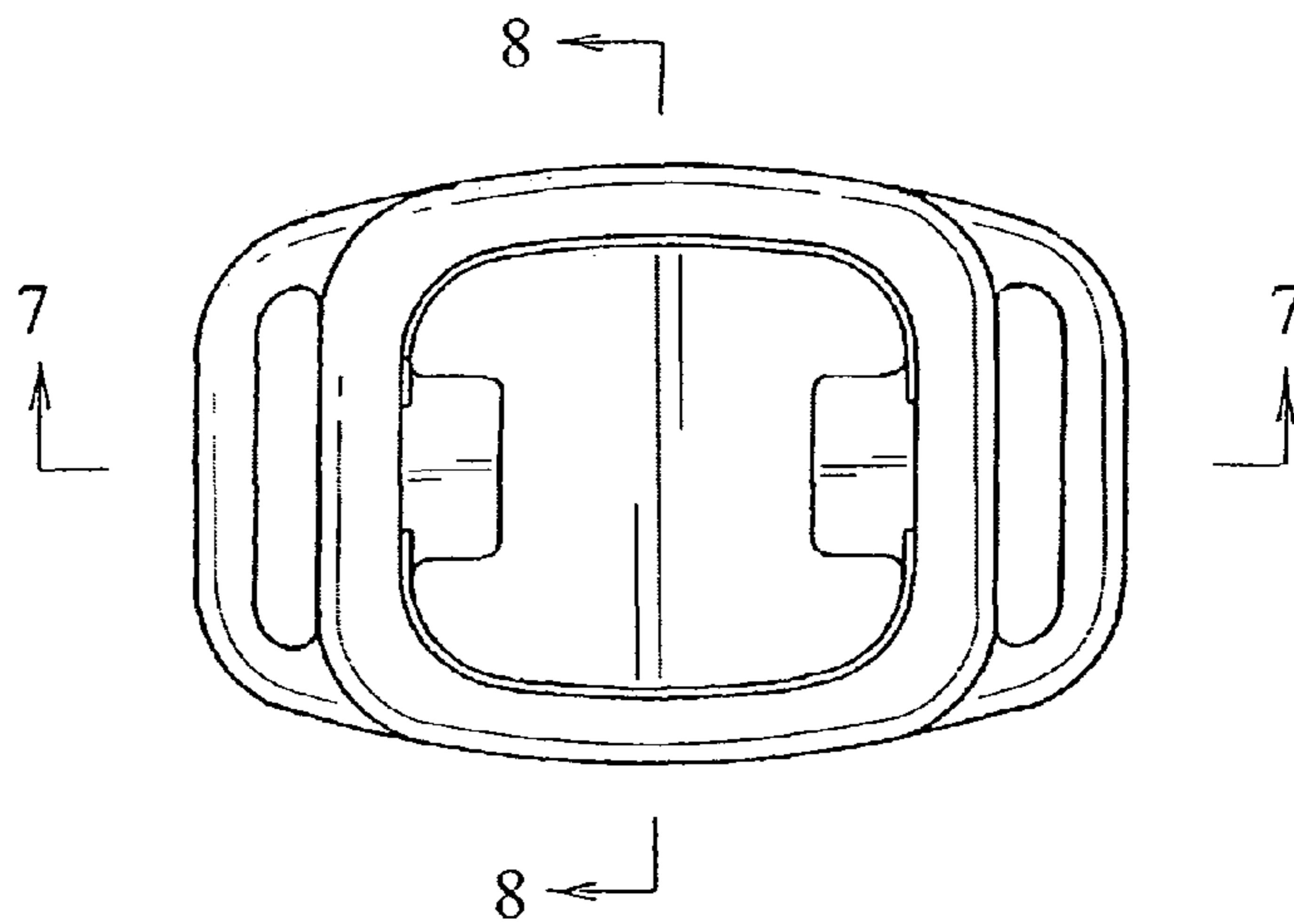


Fig. 3

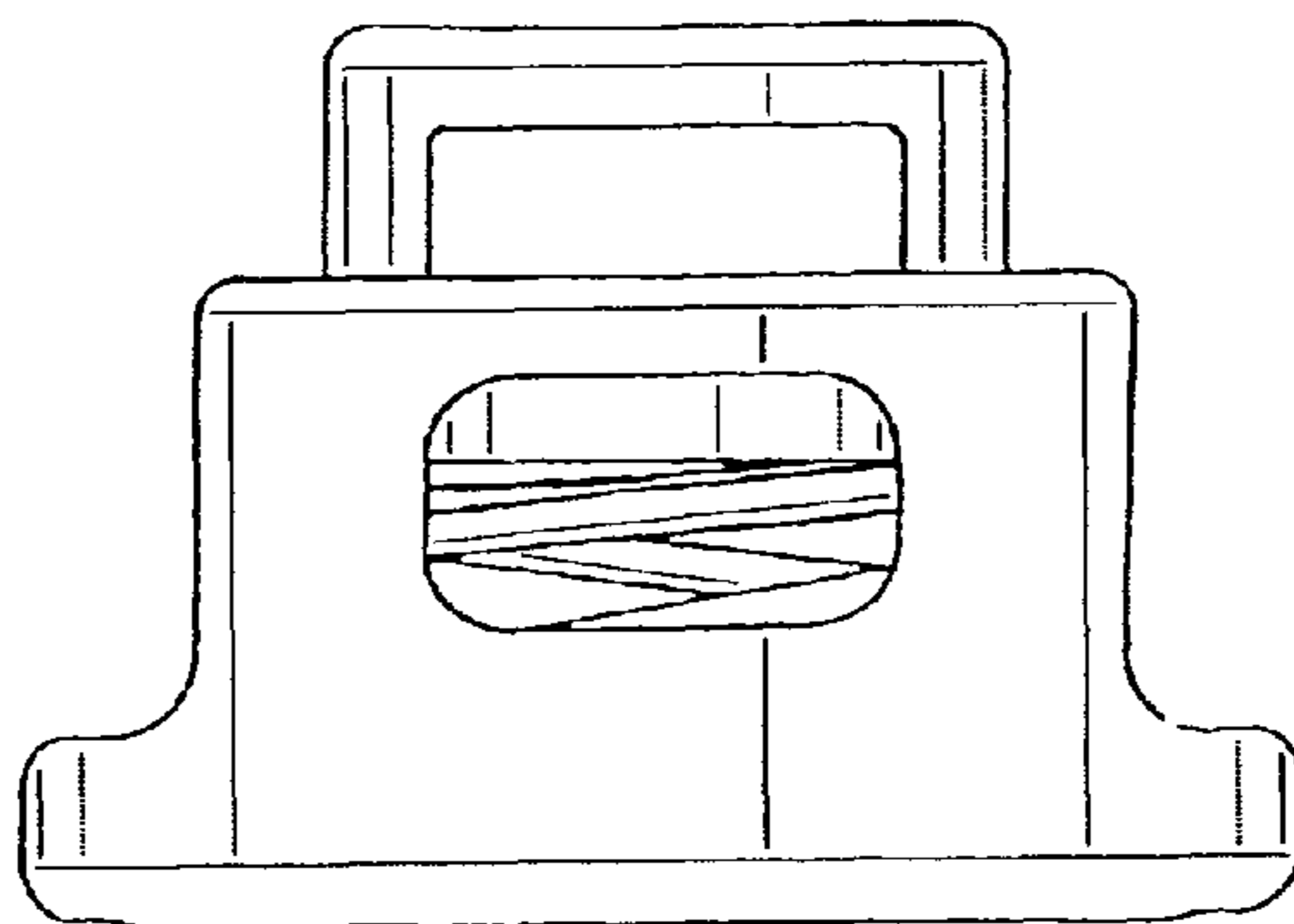


Fig. 4

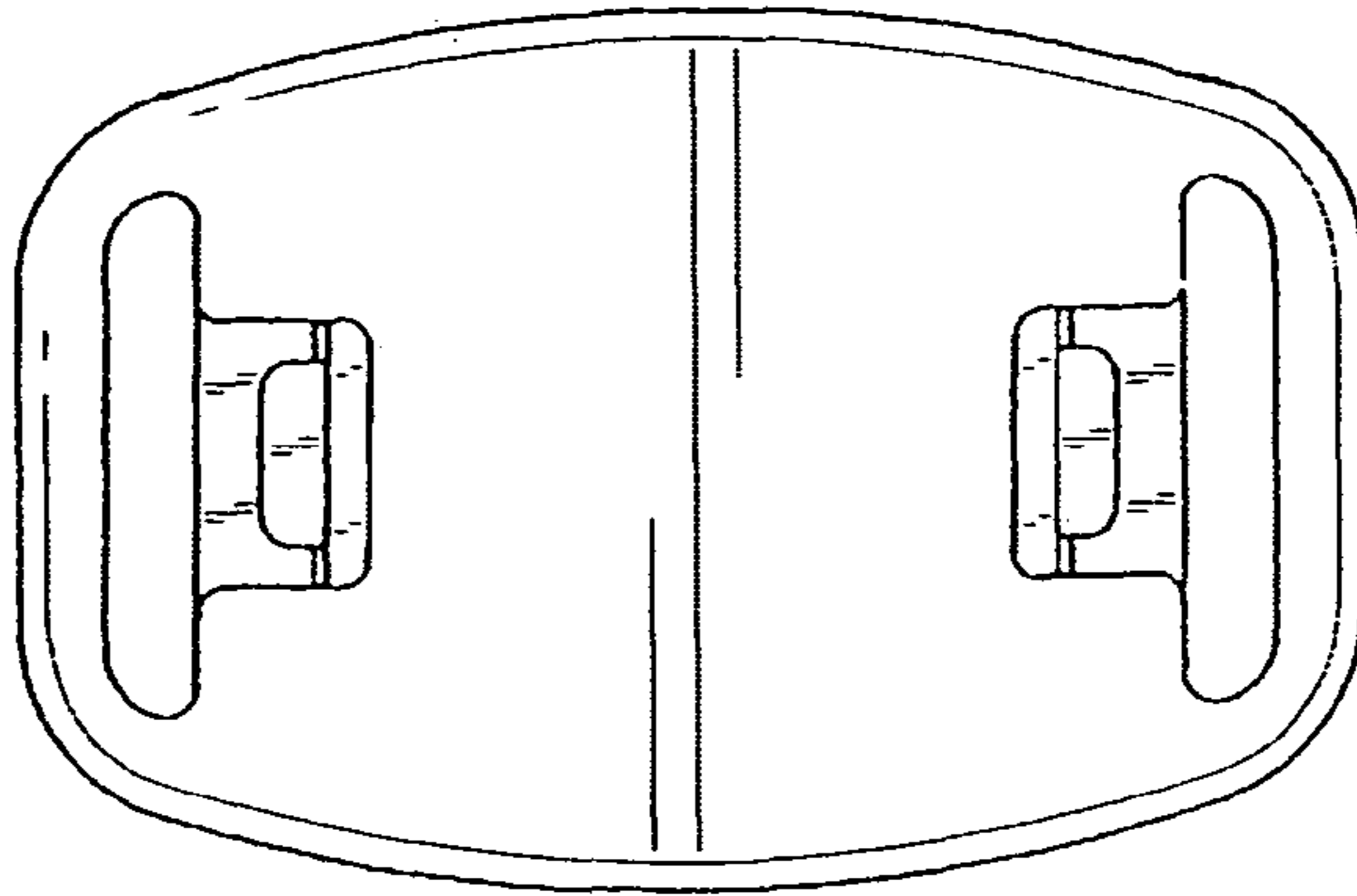


Fig. 5

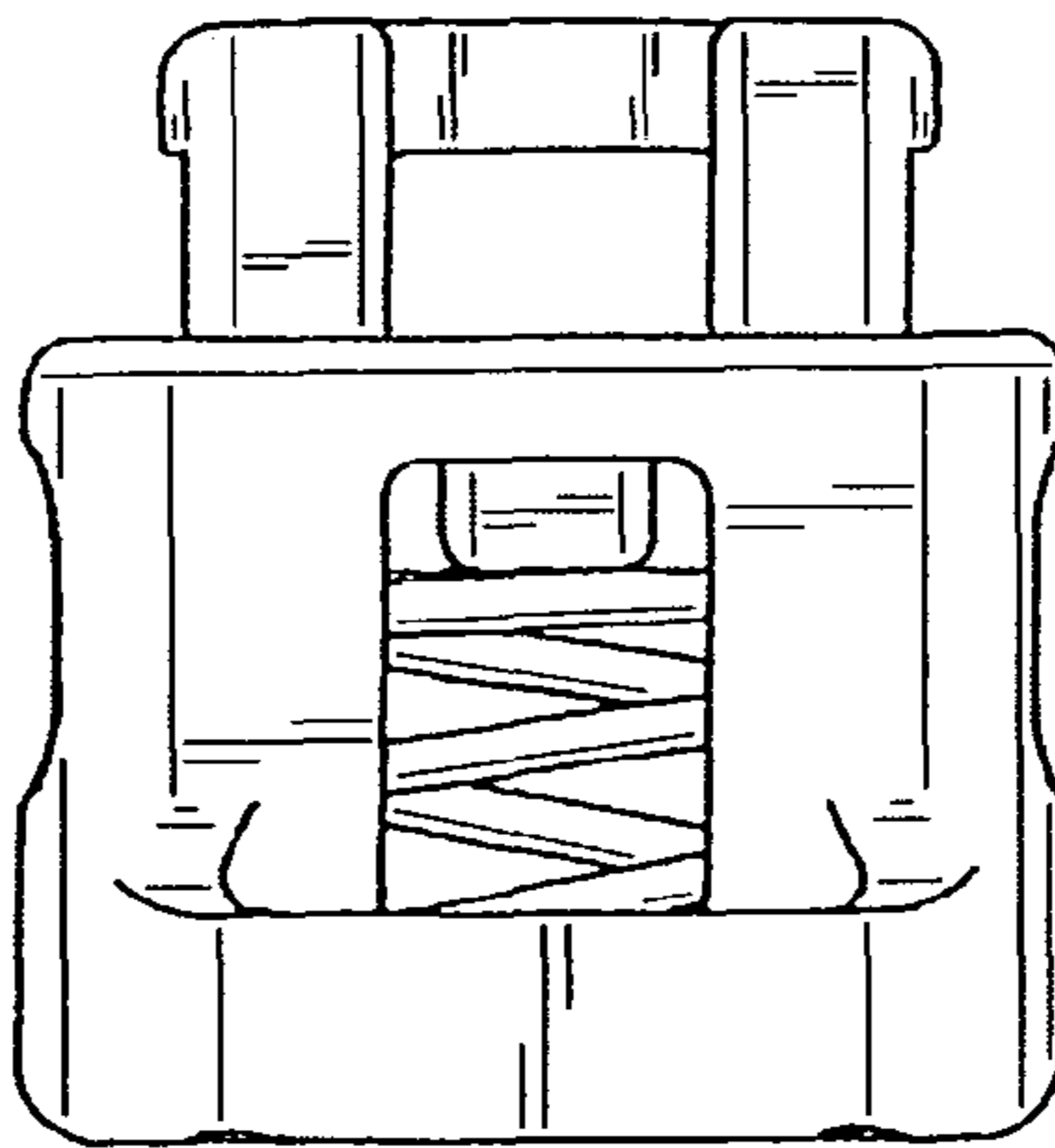


Fig. 6

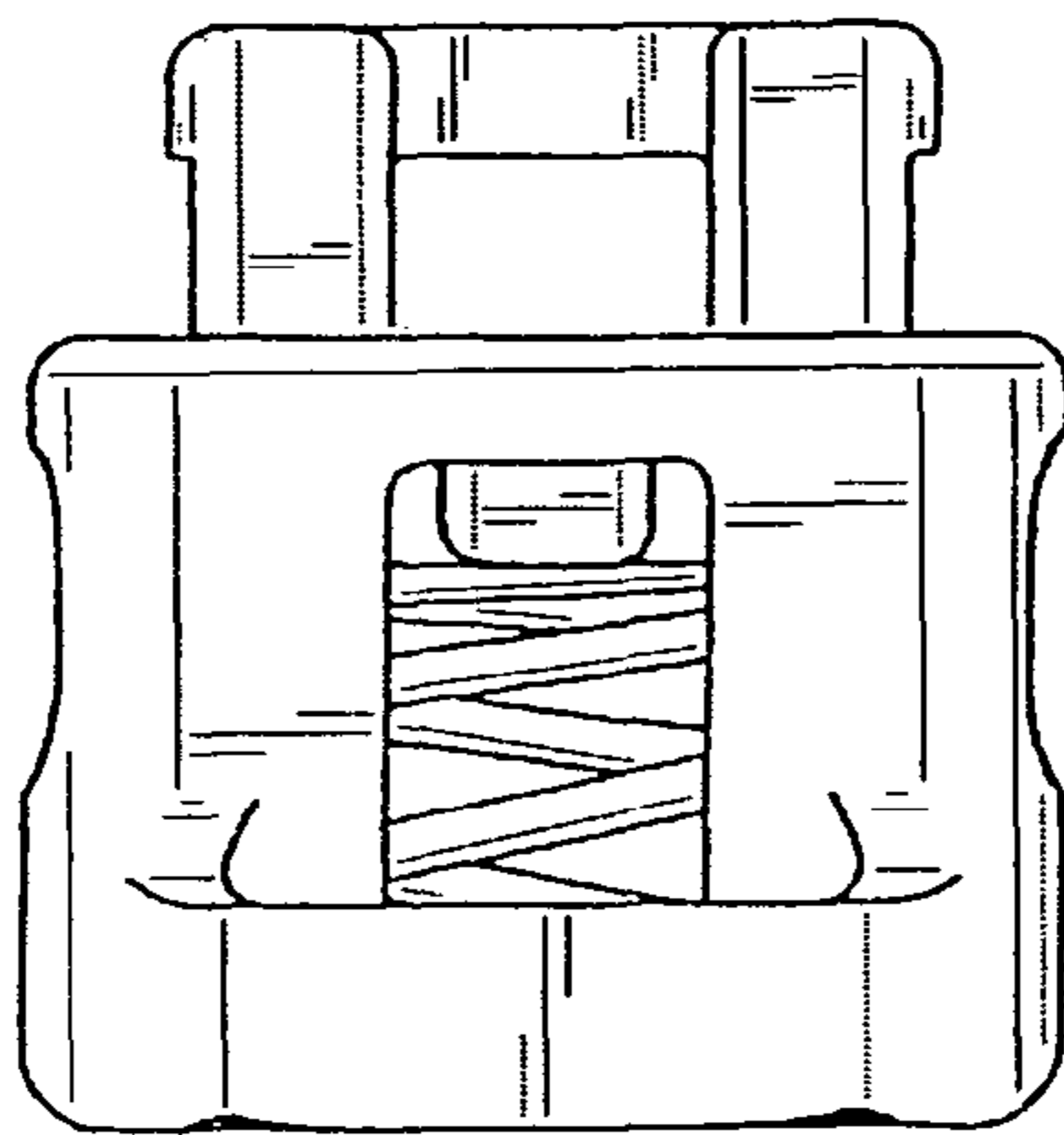


Fig. 7

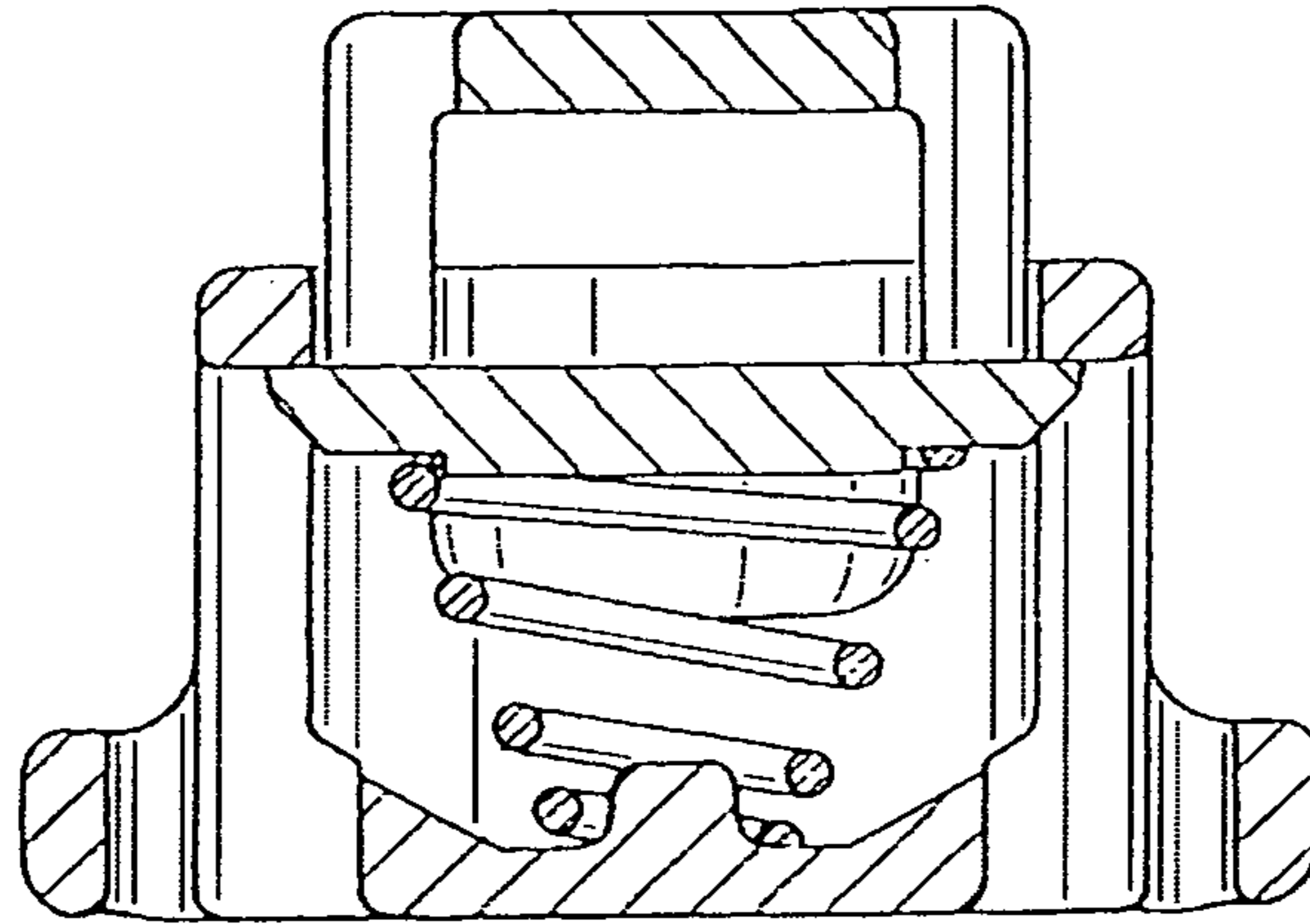


Fig. 8

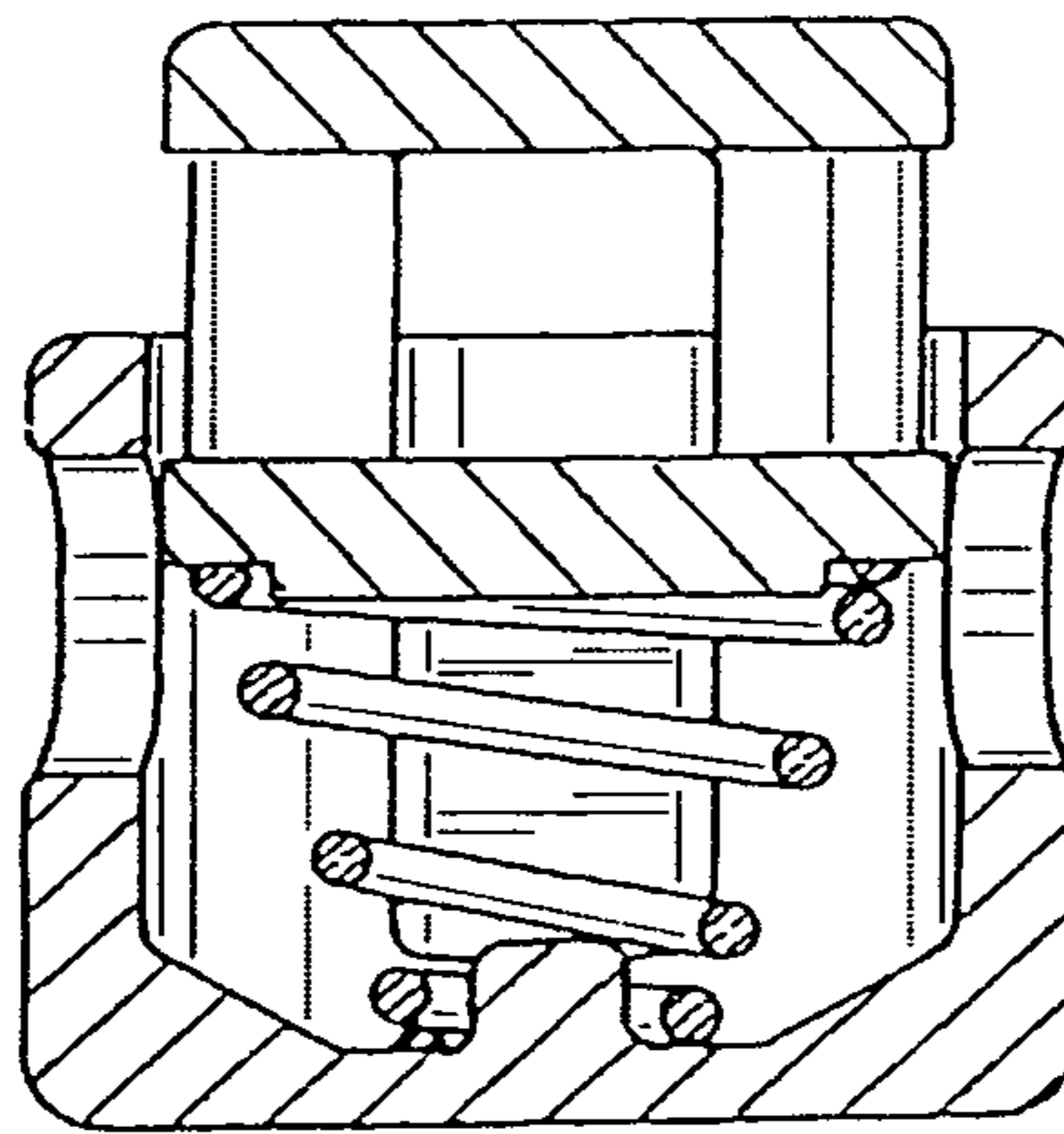
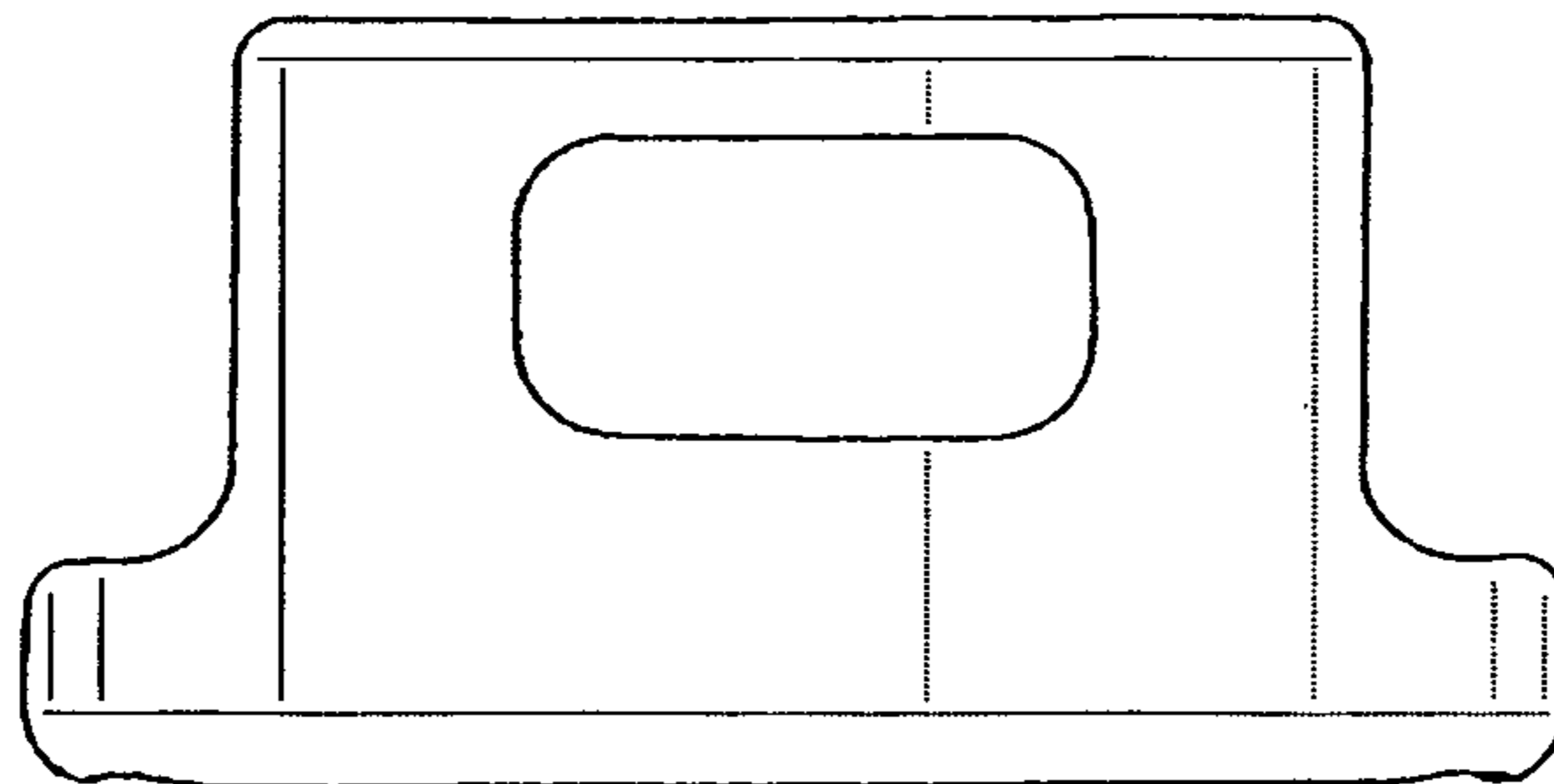


Fig. 9



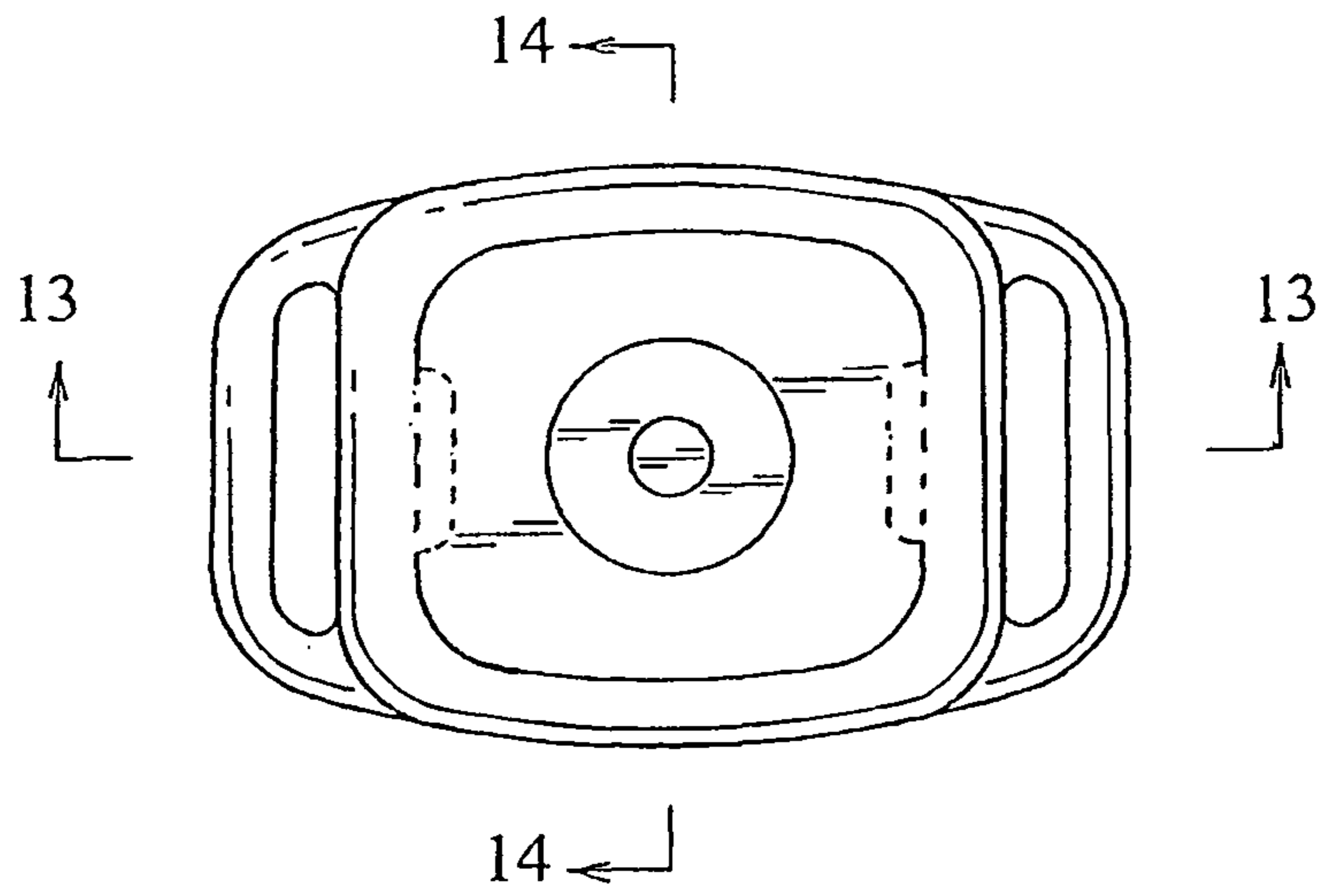


Fig. 11

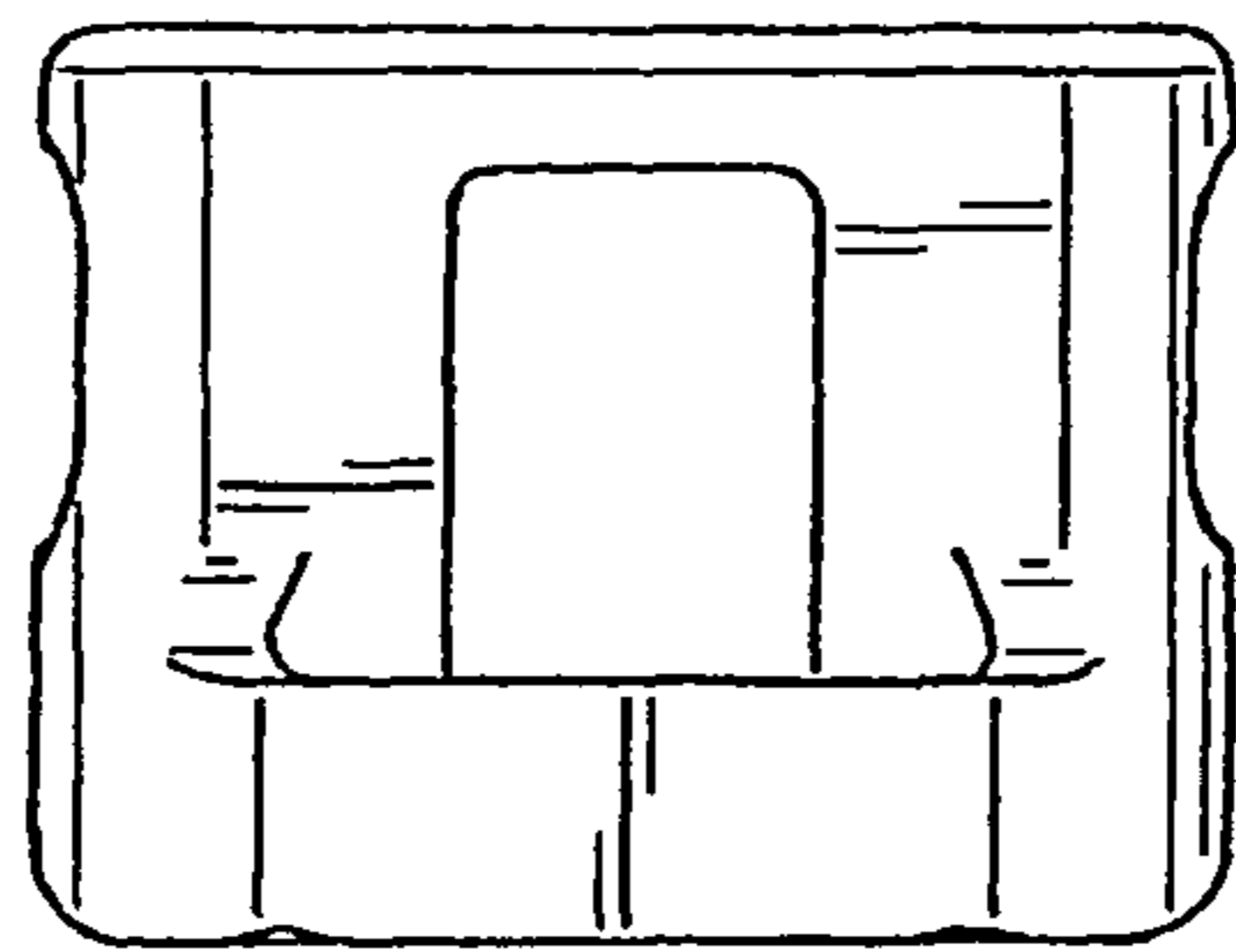


Fig. 12

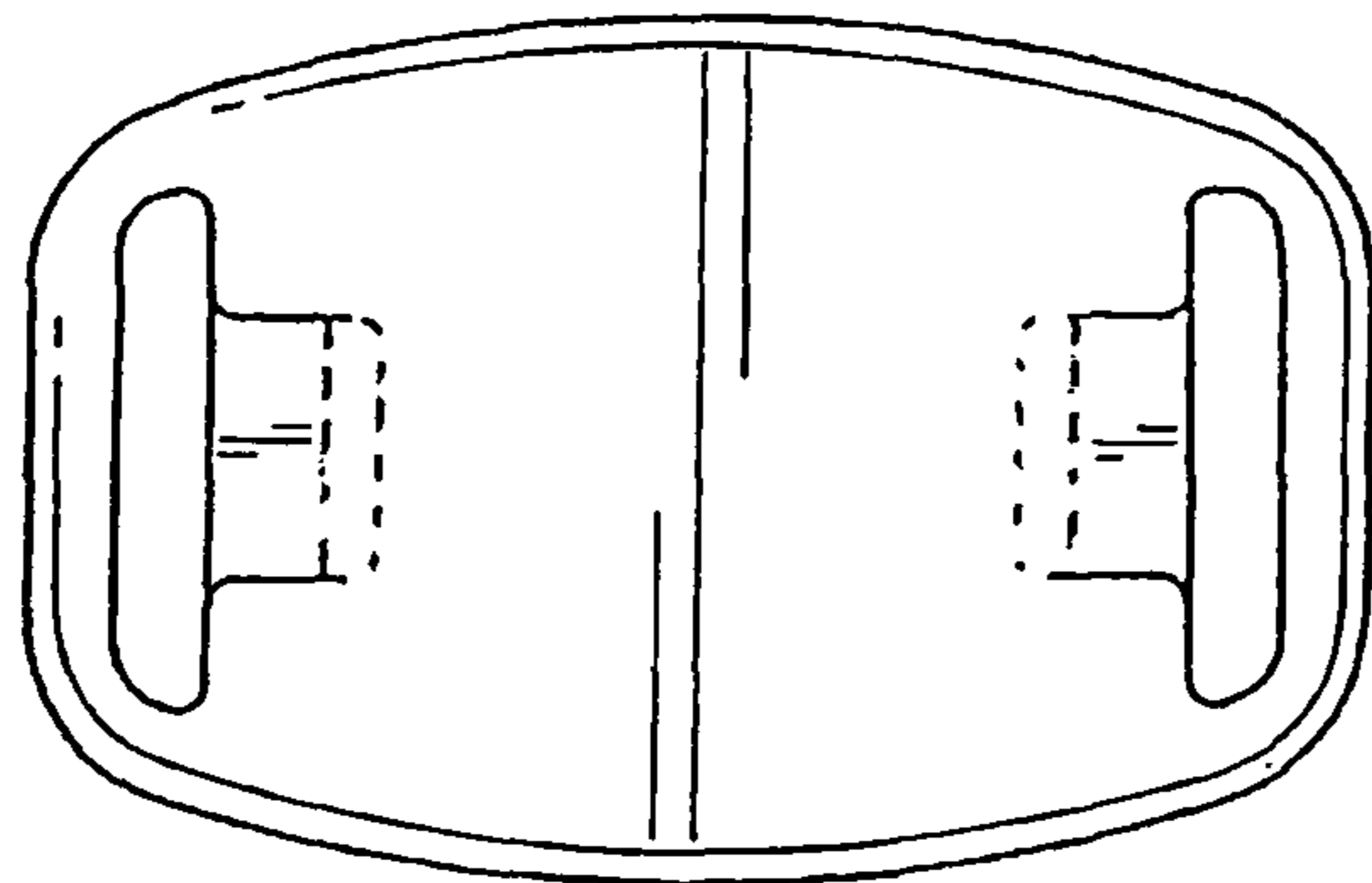


Fig. 13

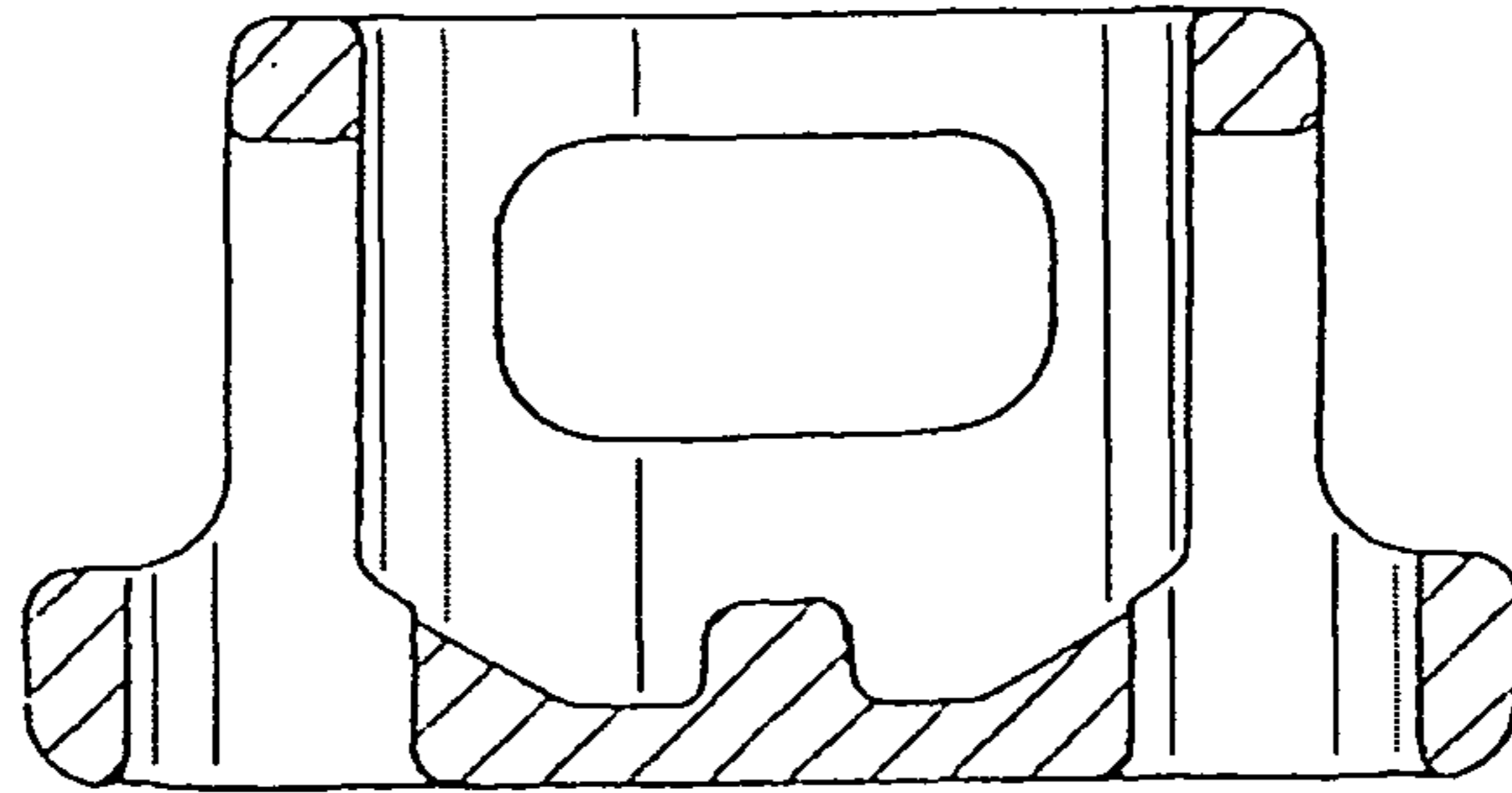


Fig. 14

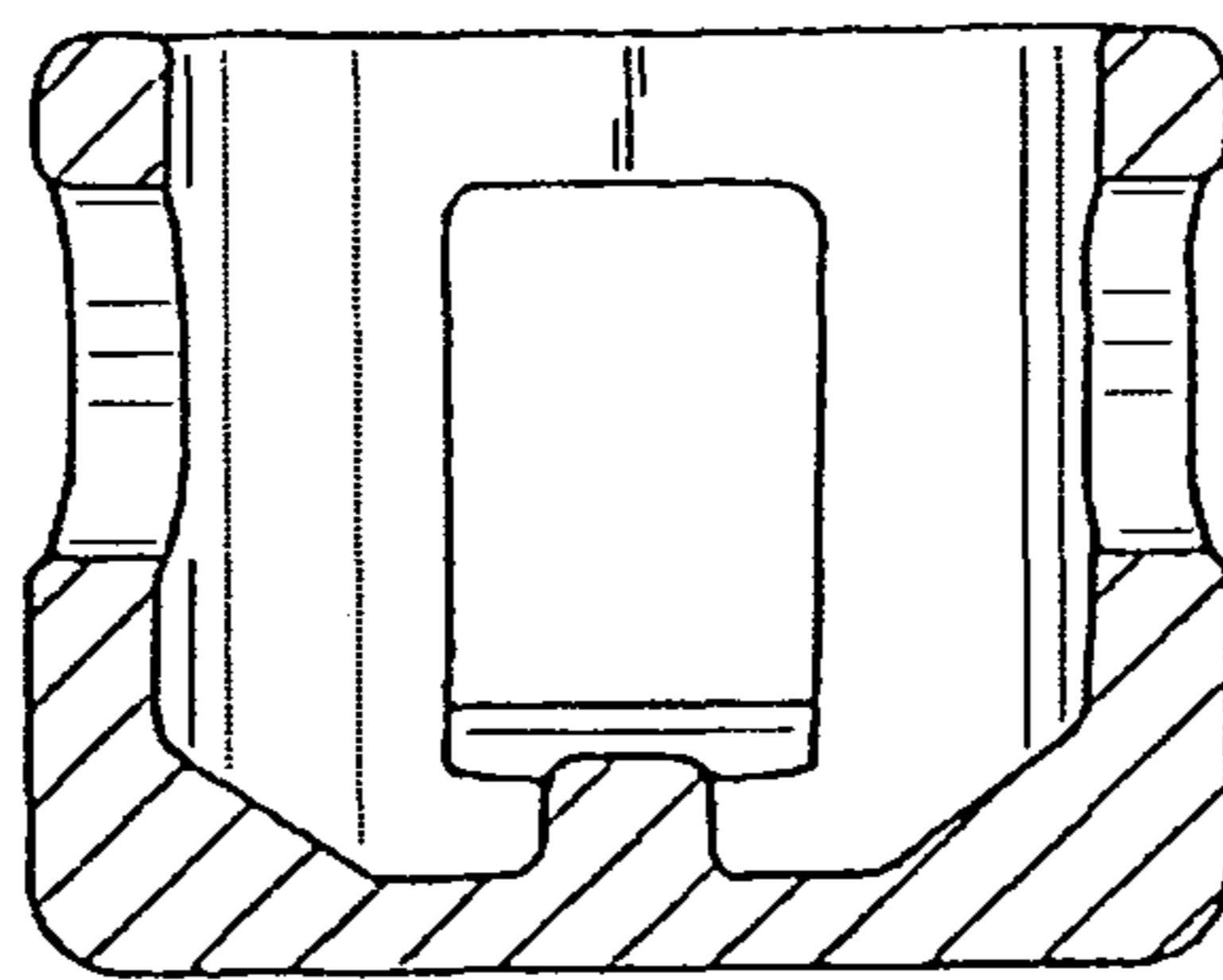


Fig. 15

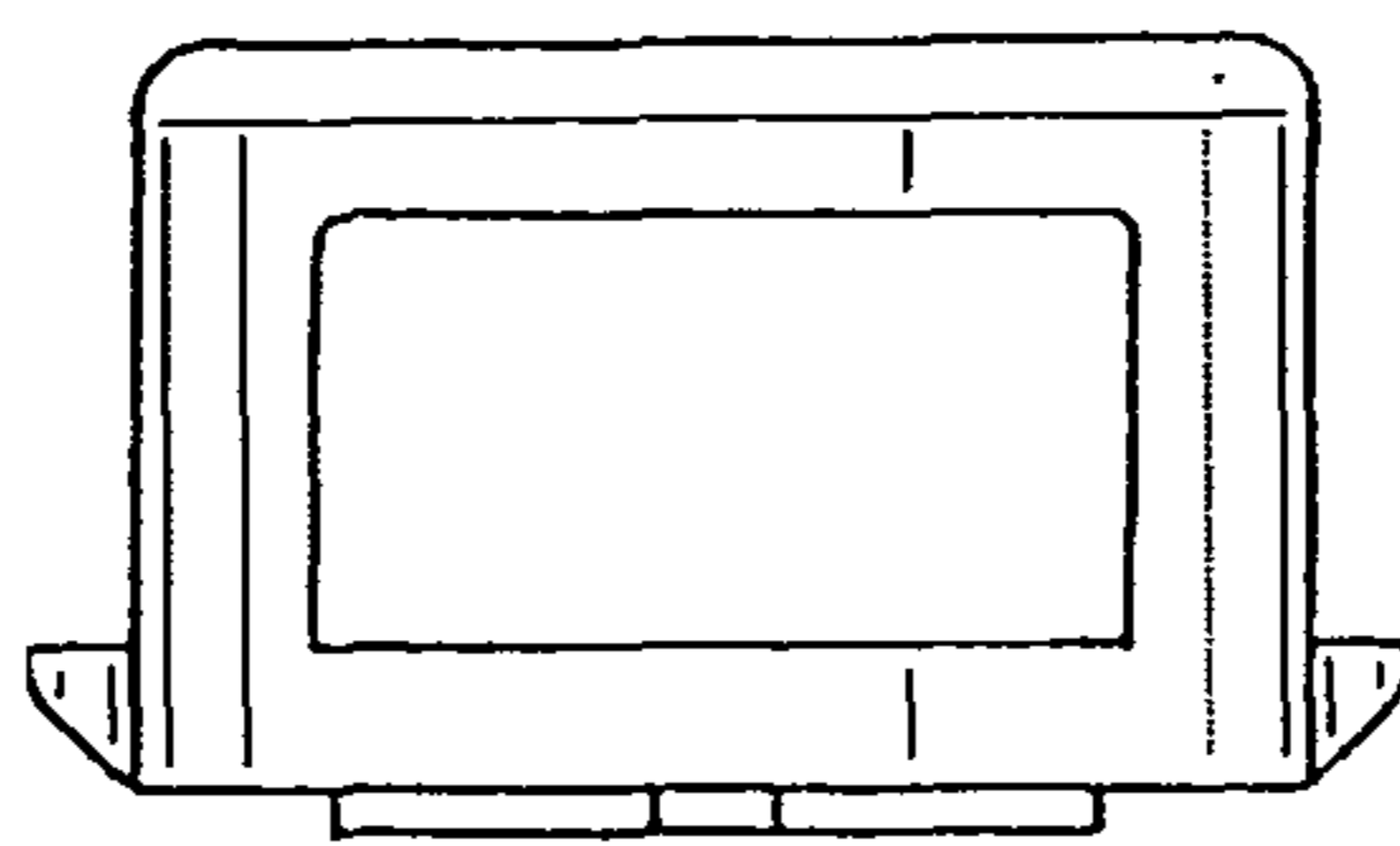


Fig. 16

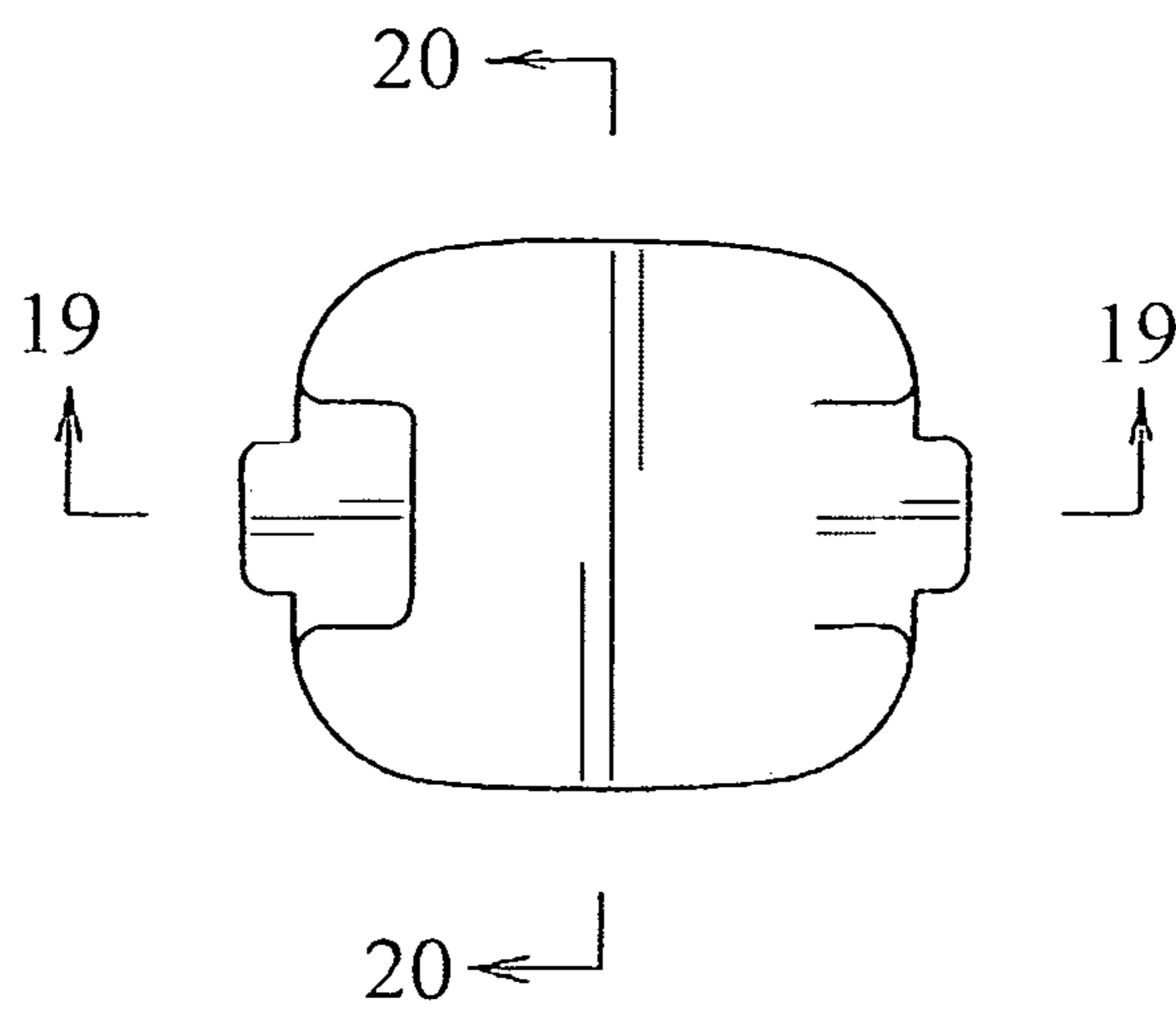


Fig. 17

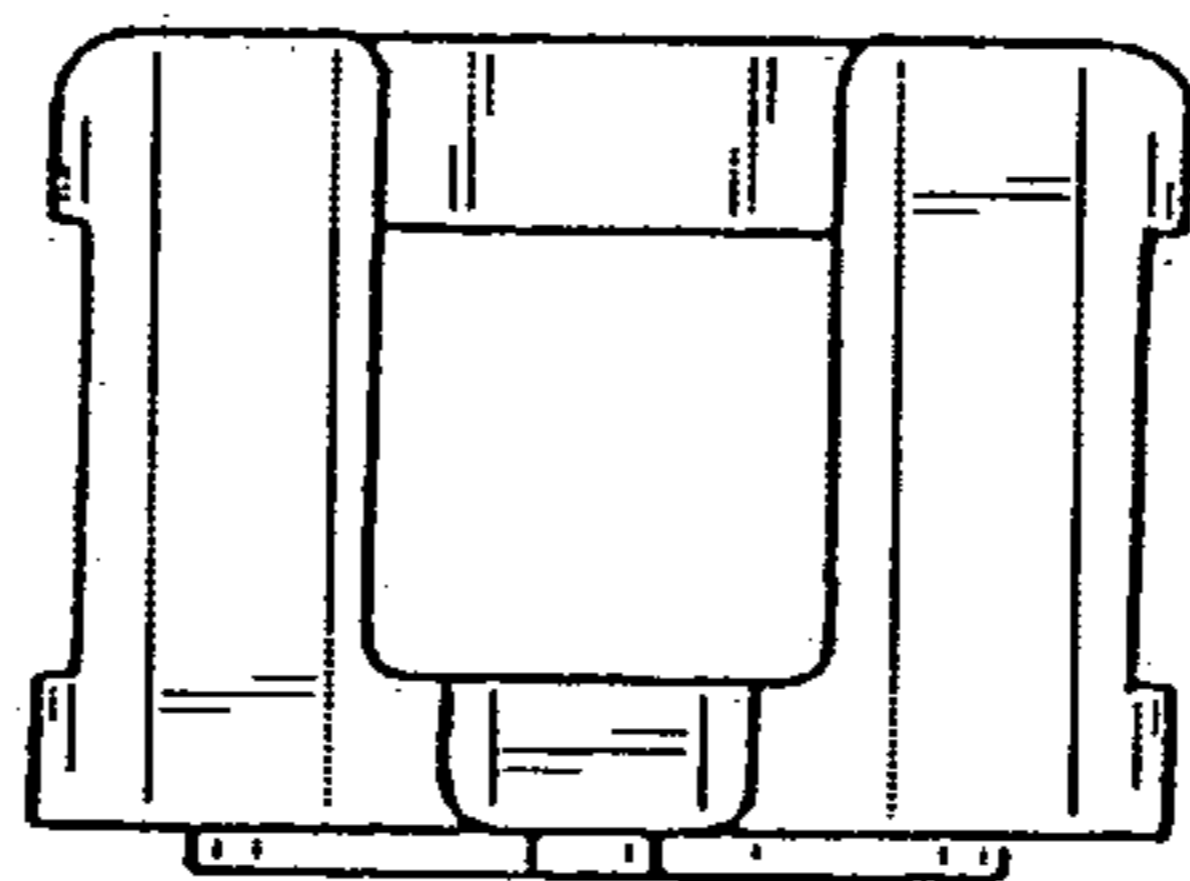


Fig. 18

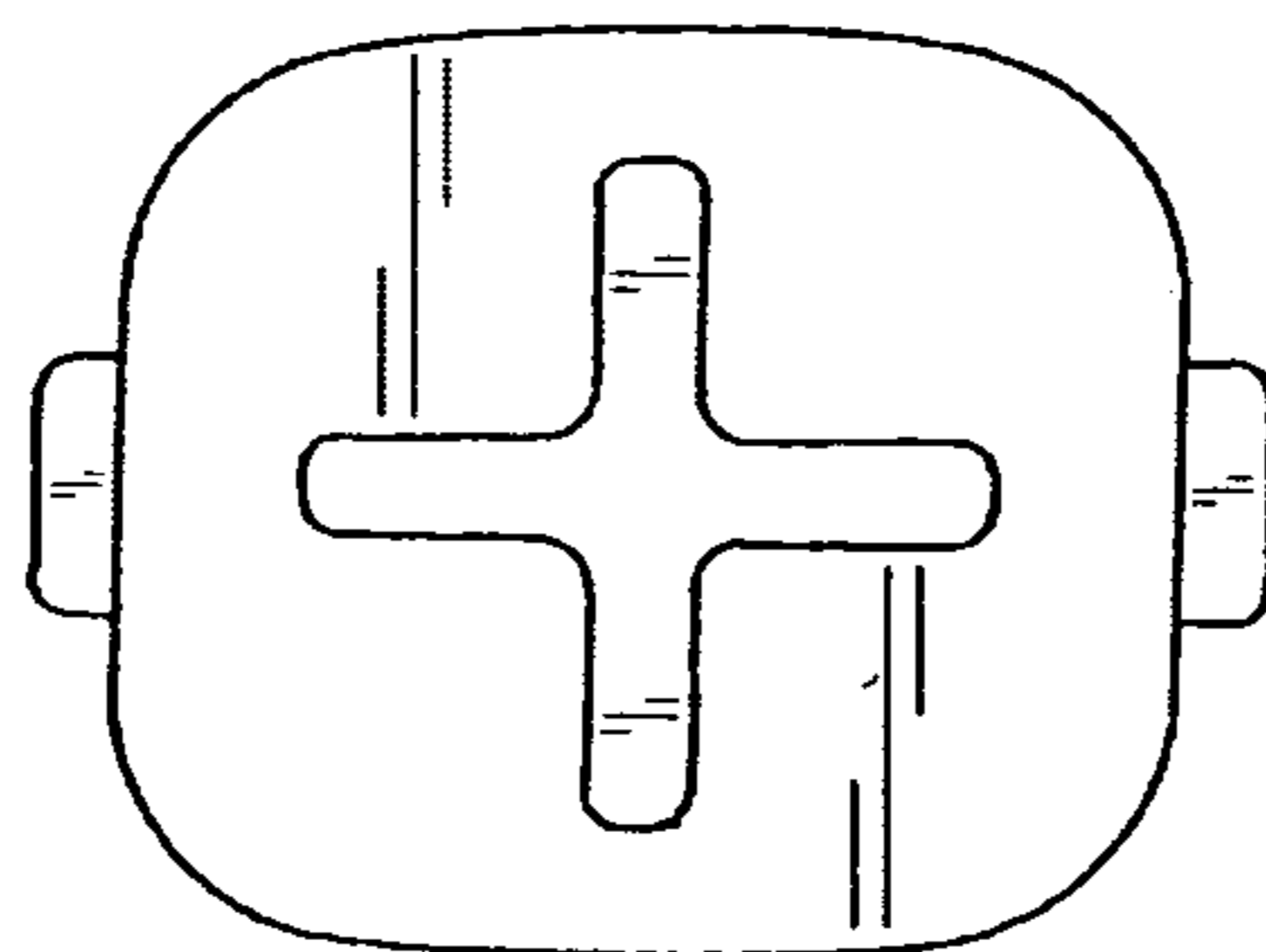


Fig. 19

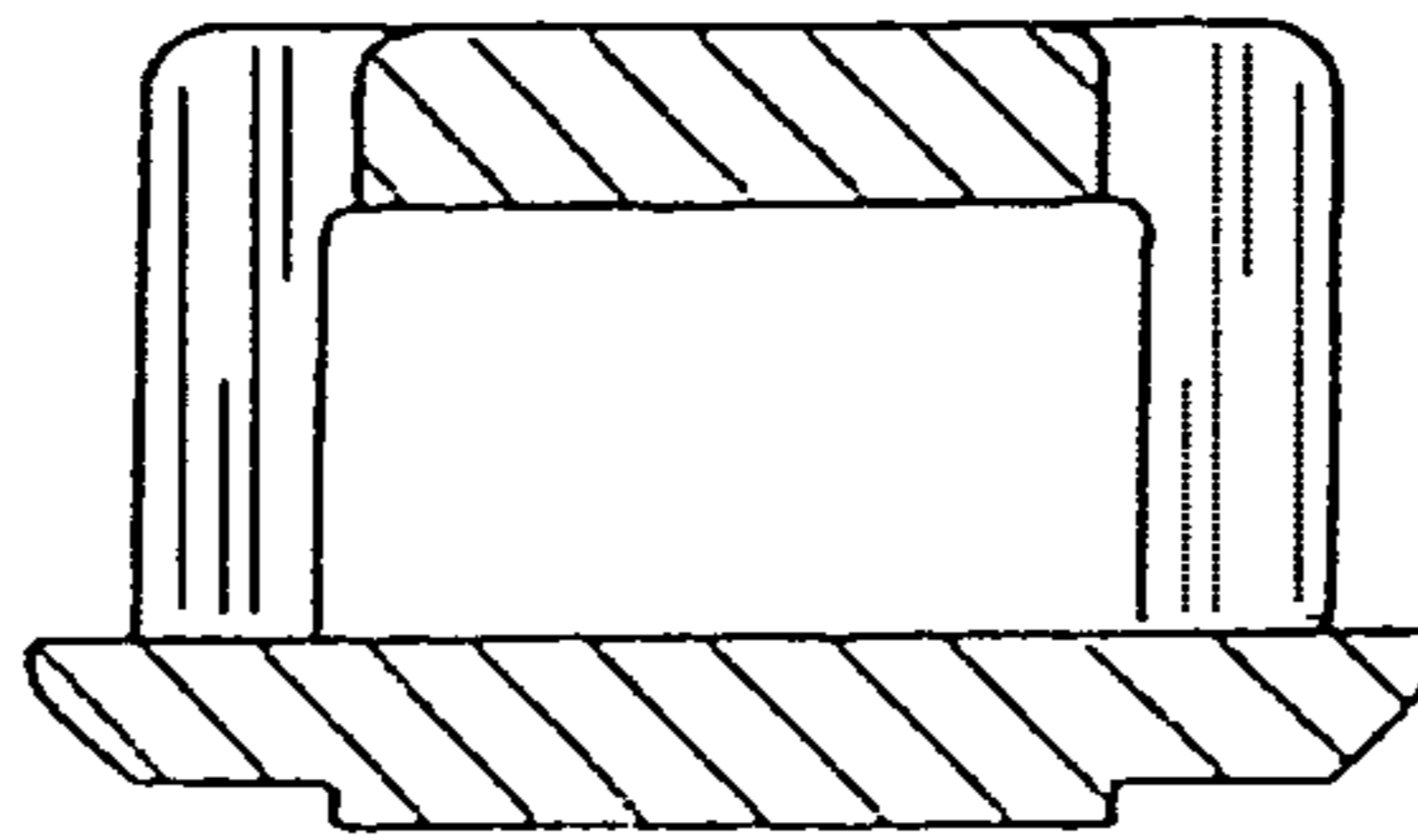


Fig. 20

