



US00D680853S

(12) **United States Design Patent**
Pohlman

(10) **Patent No.:** **US D680,853 S**
(45) **Date of Patent:** **** Apr. 30, 2013**

(54) **RAIL**
(75) Inventor: **Joe Kipton Pohlman**, Denver, NC (US)
(73) Assignee: **Lowe's Companies, Inc.**, Mooresville, NC (US)
(**) Term: **14 Years**
(21) Appl. No.: **29/396,926**

(22) Filed: **Jul. 8, 2011**
(51) **LOC (9) Cl.** **08-05**
(52) **U.S. Cl.**
USPC **D8/380**
(58) **Field of Classification Search** D8/377;
D25/119, 124; 211/57.1, 87.01
See application file for complete search history.

(56) **References Cited**

U.S. PATENT DOCUMENTS

D8,303	S	*	4/1875	Searle	D25/125
3,045,961	A		7/1962	Cygan		
D266,143	S	*	9/1982	Smith	D8/377
4,509,648	A		4/1985	Govang et al.		
5,018,323	A		5/1991	Clausen		
5,138,803	A		8/1992	Grossen		
5,390,462	A		2/1995	Kreiter		
D358,982	S	*	6/1995	Bosgoed	D8/376
5,711,115	A		1/1998	Wirt		
5,944,294	A		8/1999	Baer		
6,119,878	A		9/2000	Zen		
6,199,705	B1		3/2001	Portner		
6,363,645	B1		4/2002	Hunter		
6,811,043	B2		11/2004	Perkins et al.		

6,926,160	B2		8/2005	Perkins et al.		
7,055,703	B2		6/2006	Perkins et al.		
7,147,115	B2		12/2006	Perkins et al.		
7,228,977	B2		6/2007	Perkins et al.		
7,296,695	B2		11/2007	Perkins et al.		
D557,112	S	*	12/2007	Franssen	D8/349
D568,146	S	*	5/2008	ter Braak	D8/377
7,591,385	B2		9/2009	Brooks		
2005/0247653	A1		11/2005	Brooks		
2008/0296245	A1		12/2008	Punzel et al.		

* cited by examiner

Primary Examiner — Holly Baynham

(74) *Attorney, Agent, or Firm* — W. Kevin Ransom; Nicholas C. Russell; Moore & Van Allen, PLLC

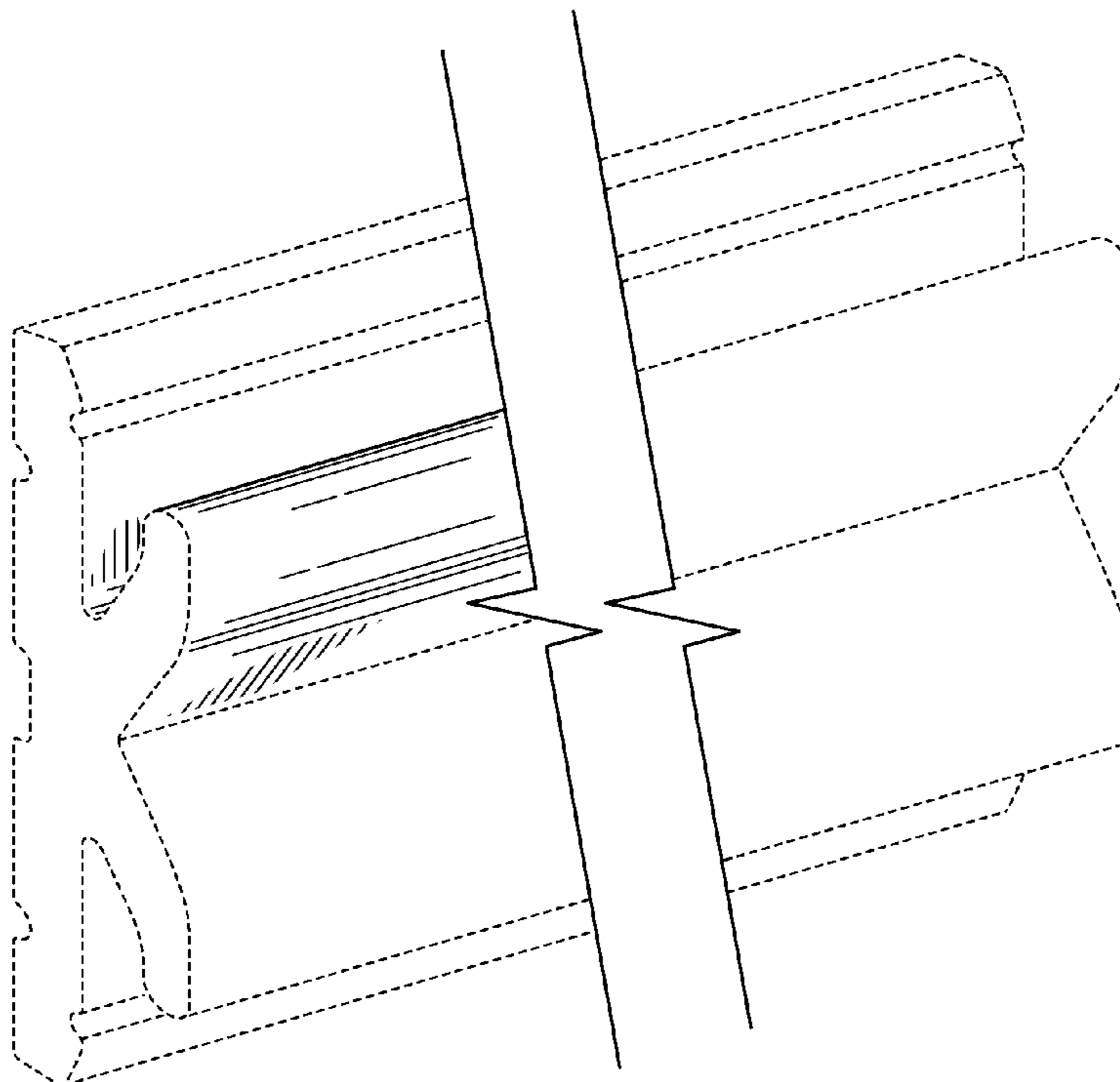
(57) **CLAIM**

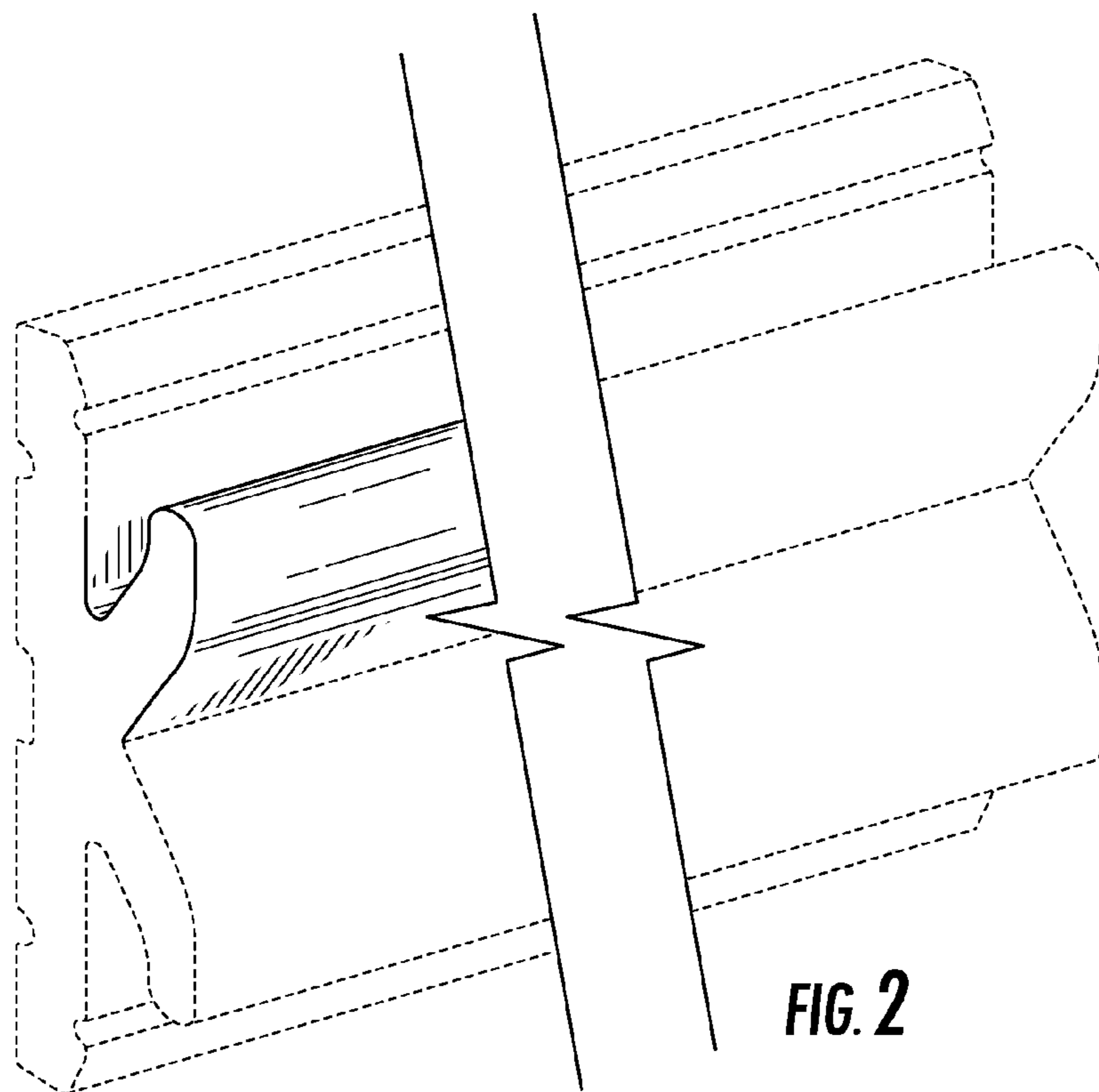
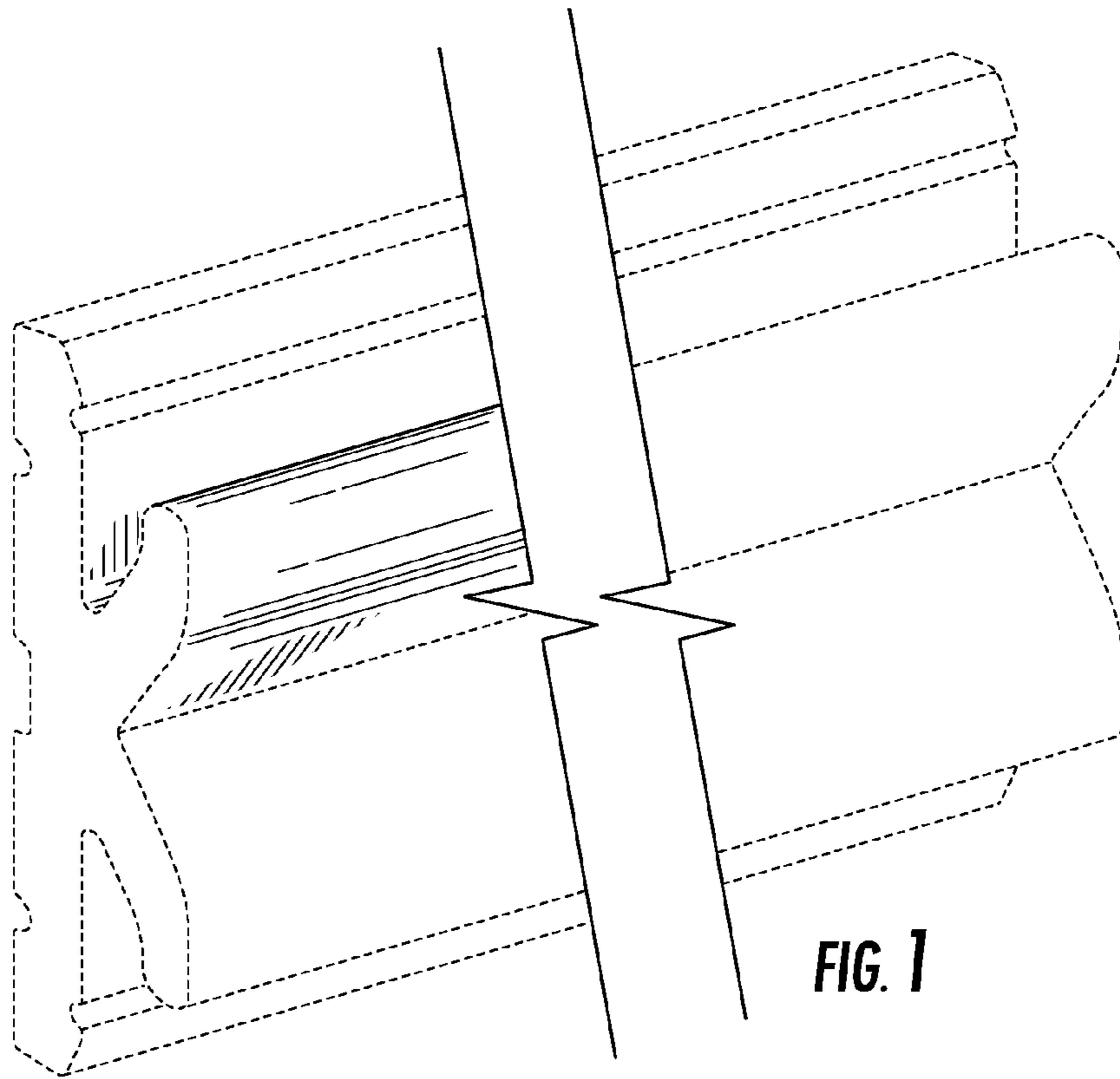
The ornamental design for a rail, as shown and described.

DESCRIPTION

FIG. 1 is a front, top side perspective view of the rail;
FIG. 2 is a front, top, left cross-sectional perspective view taken along line 2-2 of FIG. 7;
FIG. 3 is a side elevation, cross sectional view taken along line 2-2 of FIG. 7;
FIG. 4 is an opposite side elevation, cross sectional view taken along line 4-4 of FIG. 7;
FIG. 5 is a top plan view of the rail;
FIG. 6 is a bottom plan view of the rail;
FIG. 7 is a front elevational view of the rail of FIG. 1; and, FIG. 8 is a back elevational view of the rail of FIG. 1.
The broken away symbols in the drawings indicate that any portion of the article beyond what is shown forms no part of the claimed design.

1 Claim, 7 Drawing Sheets





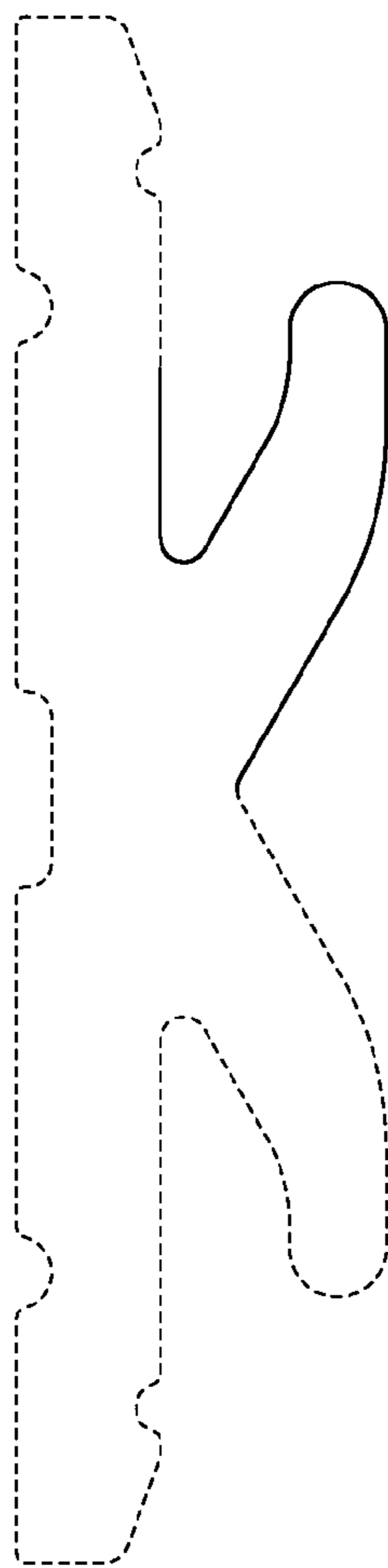


FIG. 3

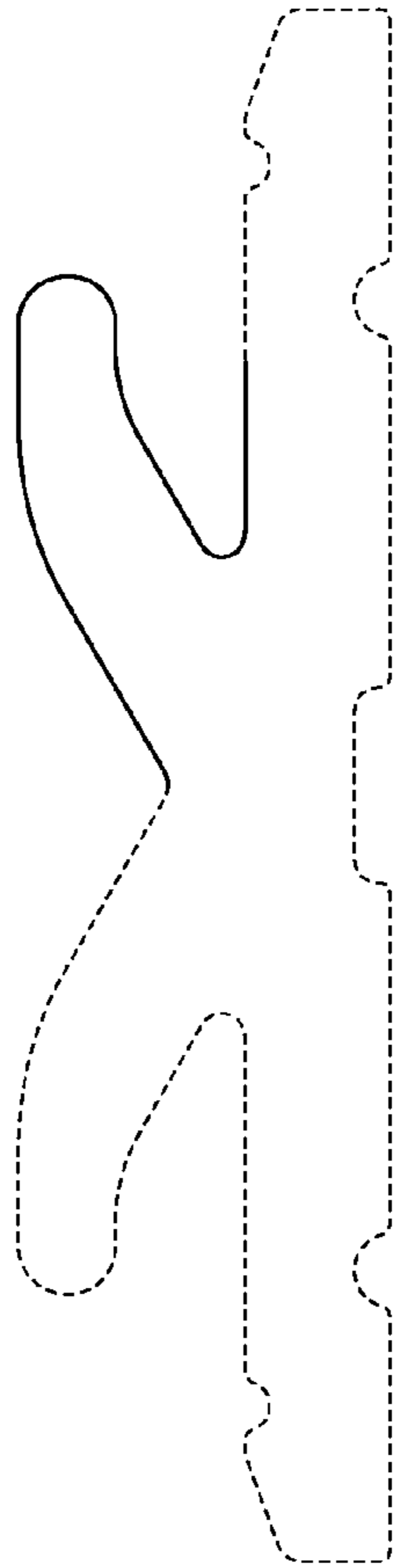


FIG. 4

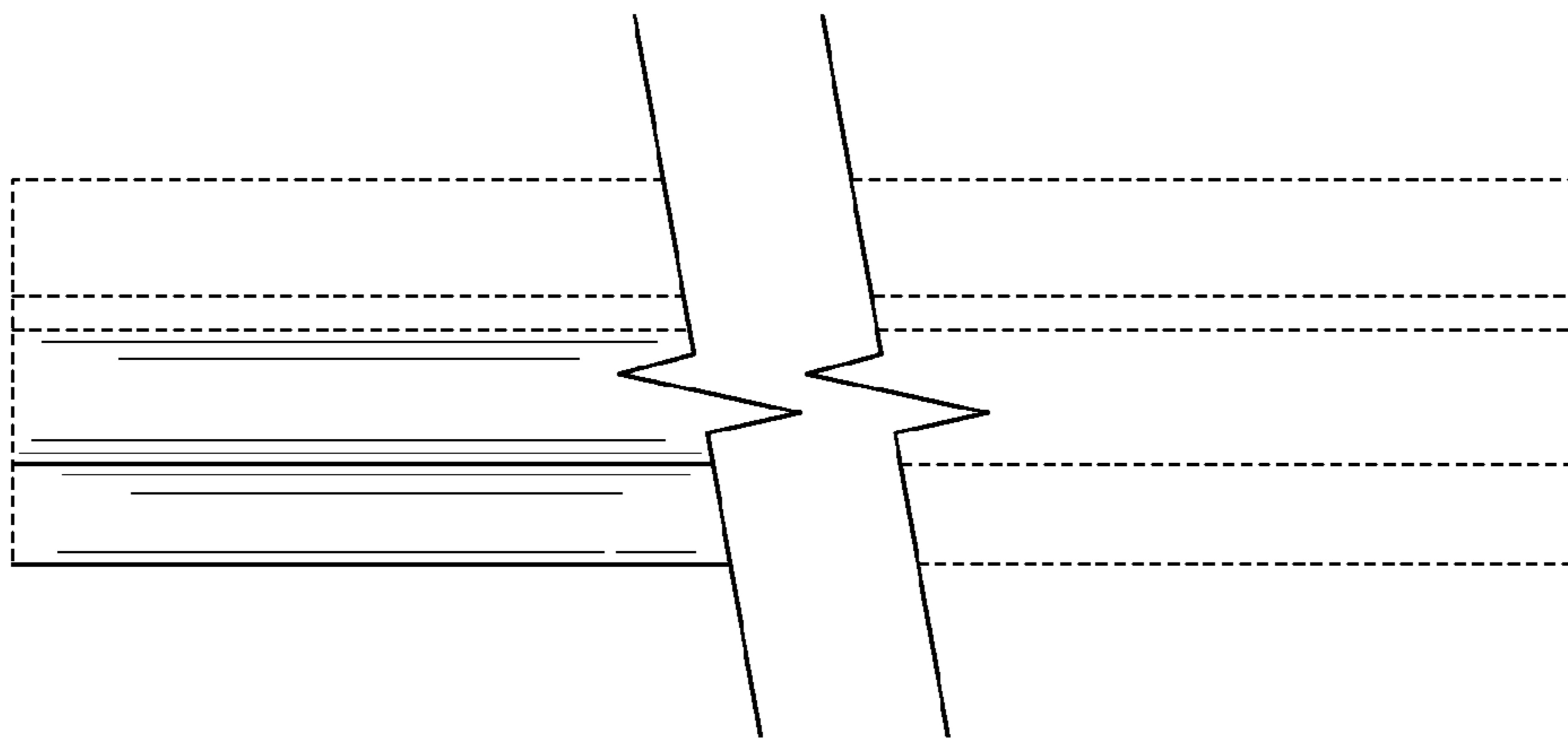


FIG. 5

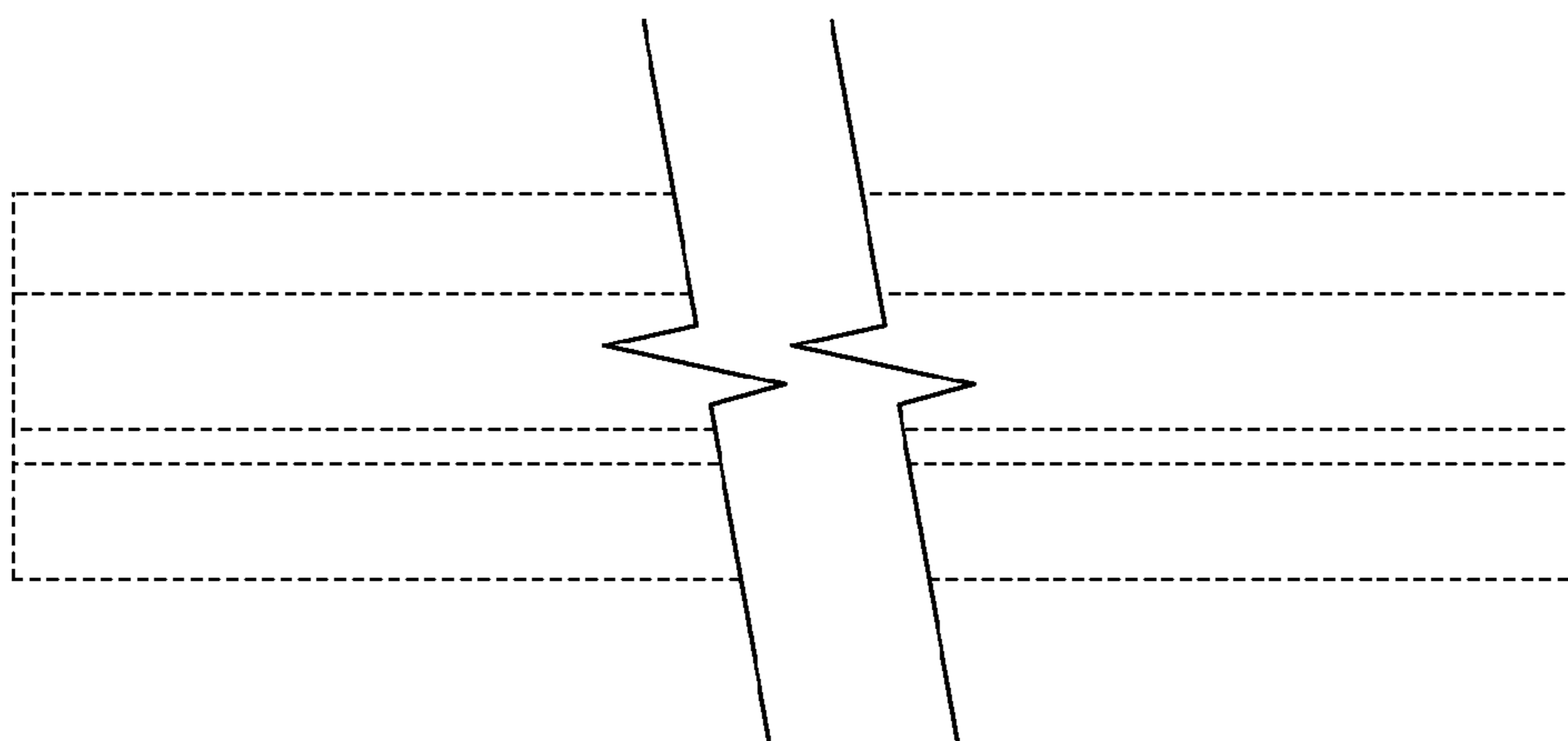


FIG. 6

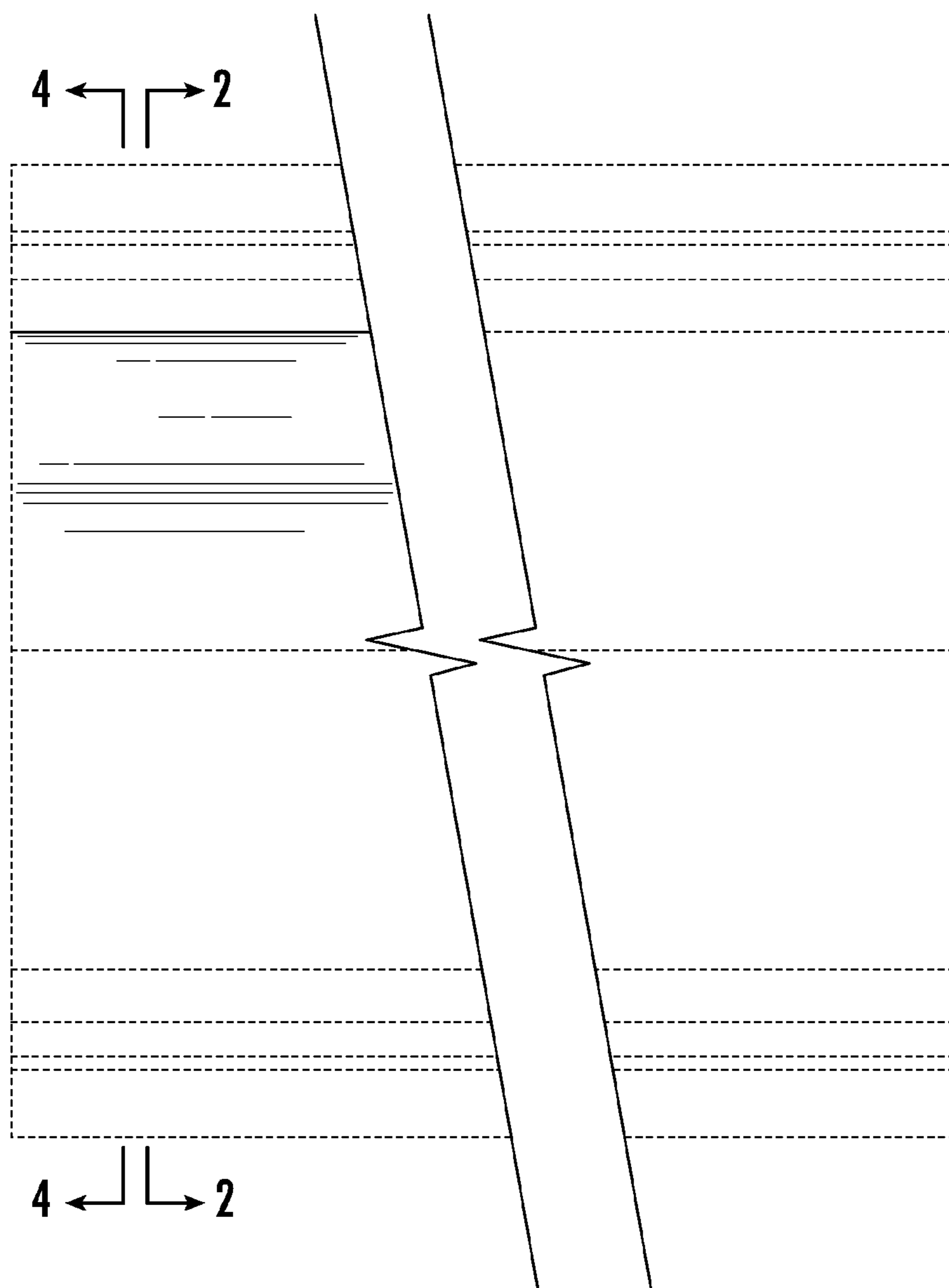


FIG. 7

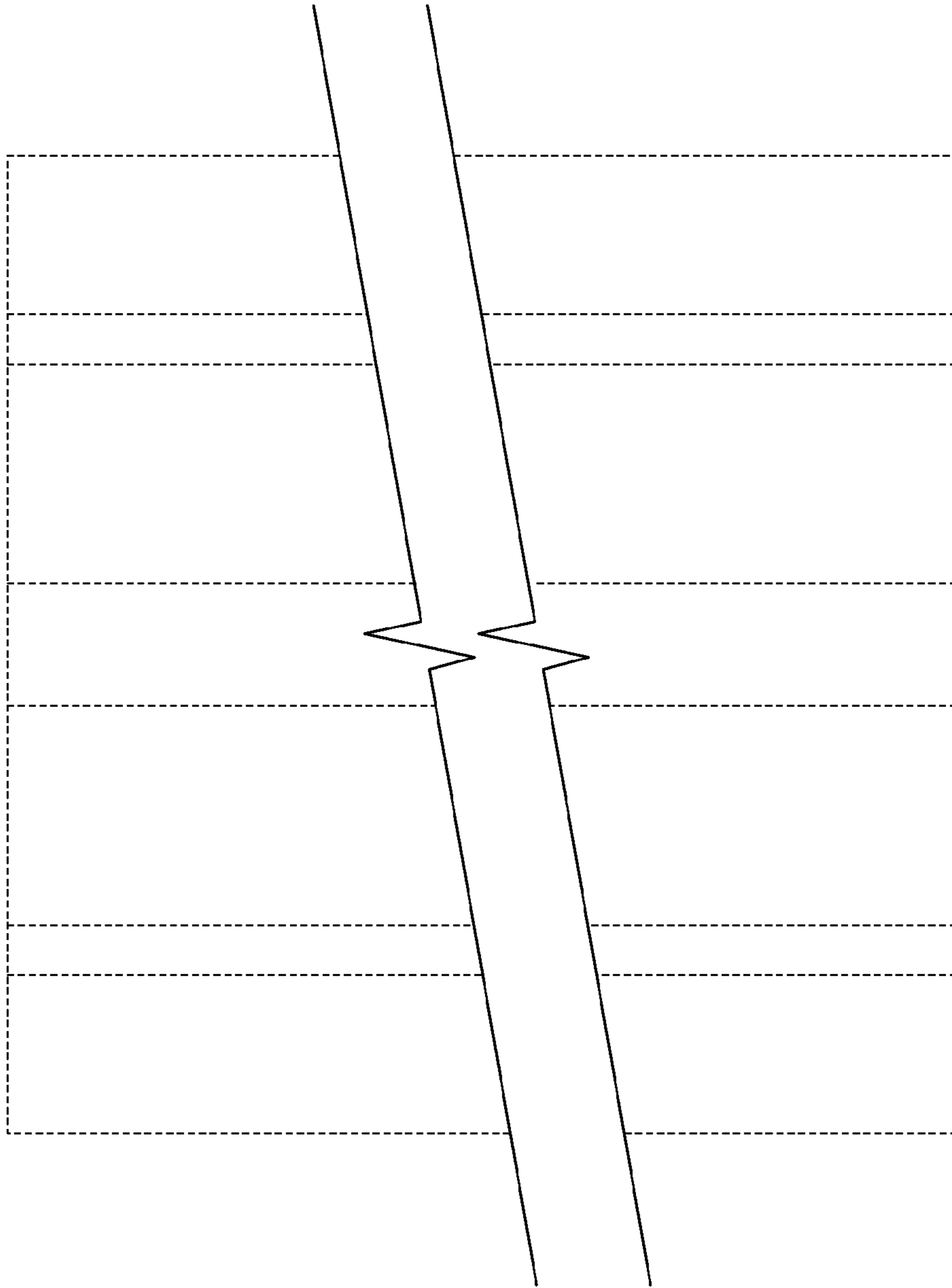


FIG. 8