



US00D680849S

(12) **United States Design Patent**
Berger et al.

(10) **Patent No.:** **US D680,849 S**

(45) **Date of Patent:** **** Apr. 30, 2013**

(54) **DOOR LEVER ASSEMBLY**

(75) Inventors: **Mark J. Berger**, New York, NY (US);
Jeffrey Regen, Riverhead, NY (US)

(73) Assignee: **Securitech Group, Inc.**, Maspeth, NY
(US)

(**) Term: **14 Years**

(21) Appl. No.: **29/416,689**

(22) Filed: **Mar. 26, 2012**

(51) **LOC (9) Cl.** **08-06**

(52) **U.S. Cl.**
USPC **D8/308**

(58) **Field of Classification Search** D8/300,
D8/308, 330, 331, 337, 338, 339, 341, 343,
D8/350, 400; 16/110.1, 239, 441; 70/447,
70/448, 449, 450, 73, 93, 192; 292/241,
292/242, 336.3, 228; D20/8, 9

See application file for complete search history.

D296,578 S *	7/1988	Reid	D23/252
D316,509 S *	4/1991	Nolte	D8/337
D367,215 S *	2/1996	Jones	D8/308
D419,053 S *	1/2000	Schlack	D8/339
D432,900 S *	10/2000	Frey	D8/331
D452,952 S *	1/2002	Teskey	D8/331
D453,898 S *	2/2002	Barnes et al.	D8/307
D495,237 S *	8/2004	Tozer	D8/343
D495,582 S *	9/2004	Richardson et al.	D8/337
D520,341 S *	5/2006	Eenigenburg	D8/343
D529,367 S *	10/2006	Zweibohmer et al.	D8/301
D554,971 S *	11/2007	Flory	D8/308
D577,277 S *	9/2008	Samhammer et al.	D8/331
D584,131 S *	1/2009	Roberts	D8/343
D661,969 S *	6/2012	Biddle	D8/308

* cited by examiner

Primary Examiner — Paula Greene

(74) *Attorney, Agent, or Firm* — Abelman, Frayne & Schwab

(57) **CLAIM**

The ornamental design for a door lever assembly, as shown and described.

DESCRIPTION

FIG. 1 is a top and front perspective view showing the door lever assembly of the new invention; FIG. 2 is a front elevation view thereof; FIG. 3 is a left side view thereof; FIG. 4 is a right side view thereof; FIG. 5 is a bottom plan view thereof; FIG. 6 is a rear elevation view thereof; and, FIG. 7 is an exploded top and front perspective view thereof corresponding to FIG. 1. The dashed elements in the figures represent background that is not claimed.

1 Claim, 3 Drawing Sheets

(56) **References Cited**

U.S. PATENT DOCUMENTS

777,456 A *	12/1904	Wands	292/57
D96,944 S *	9/1935	Triplett	D8/311
2,644,709 A *	7/1953	Diesel	292/258
3,091,488 A *	5/1963	Vander Sande et al.	292/241
3,194,378 A *	7/1965	Greenwald	194/244
D203,813 S *	2/1966	Courson	D8/308
3,260,081 A *	7/1966	Simon	70/370
D213,623 S *	3/1969	Austin	D23/252
D217,965 S *	7/1970	Korol	D23/252
D219,861 S *	2/1971	Coffman	D8/308
D275,986 S *	10/1984	Stairs, Jr.	D23/252
D296,353 S *	6/1988	Reid	D23/252

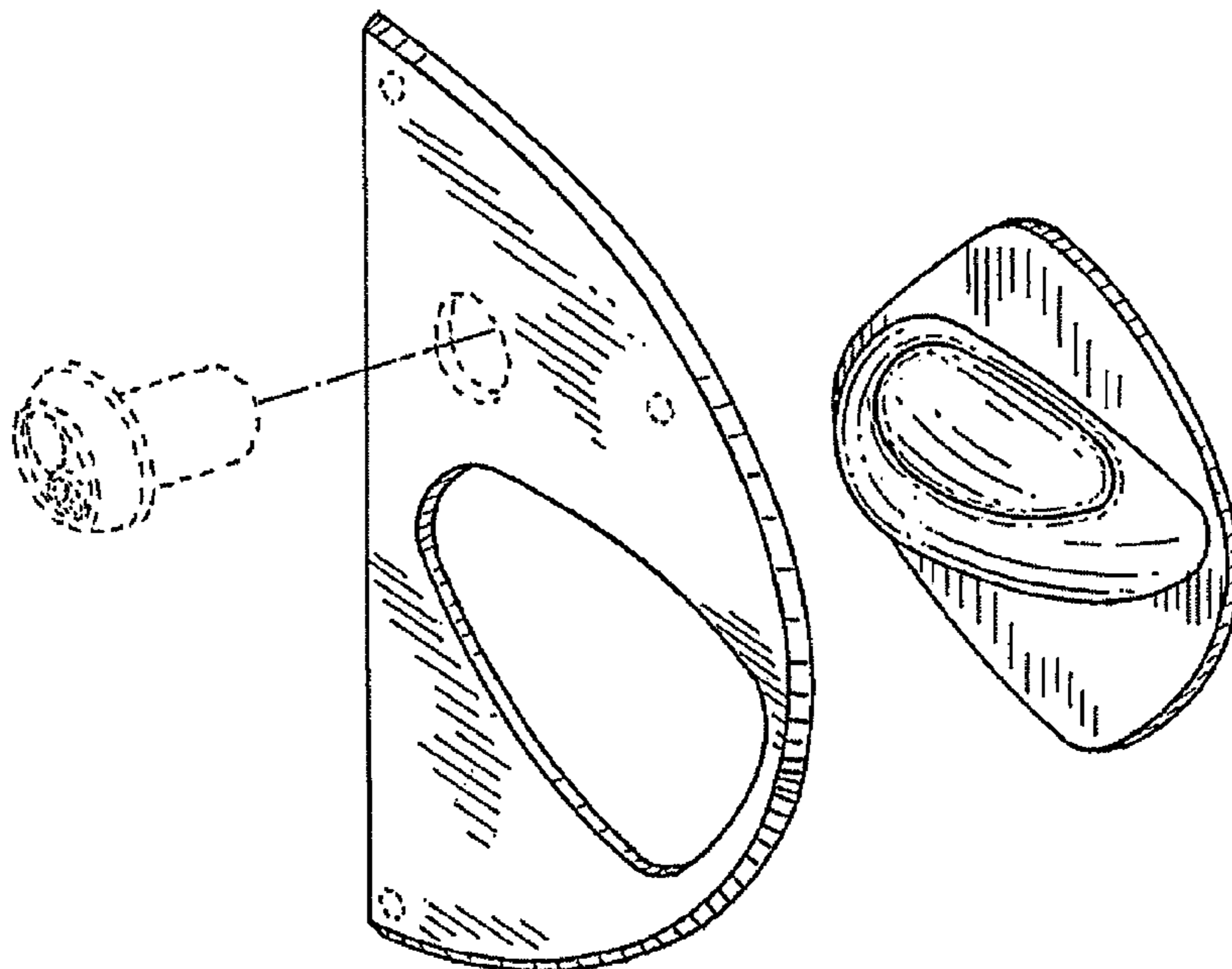


FIG. 1

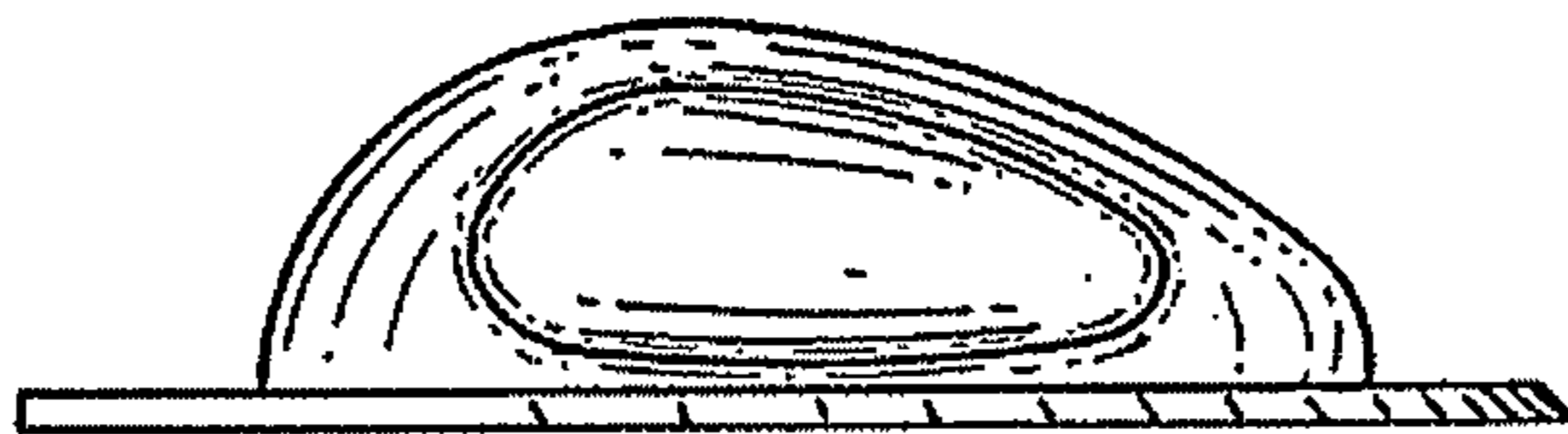
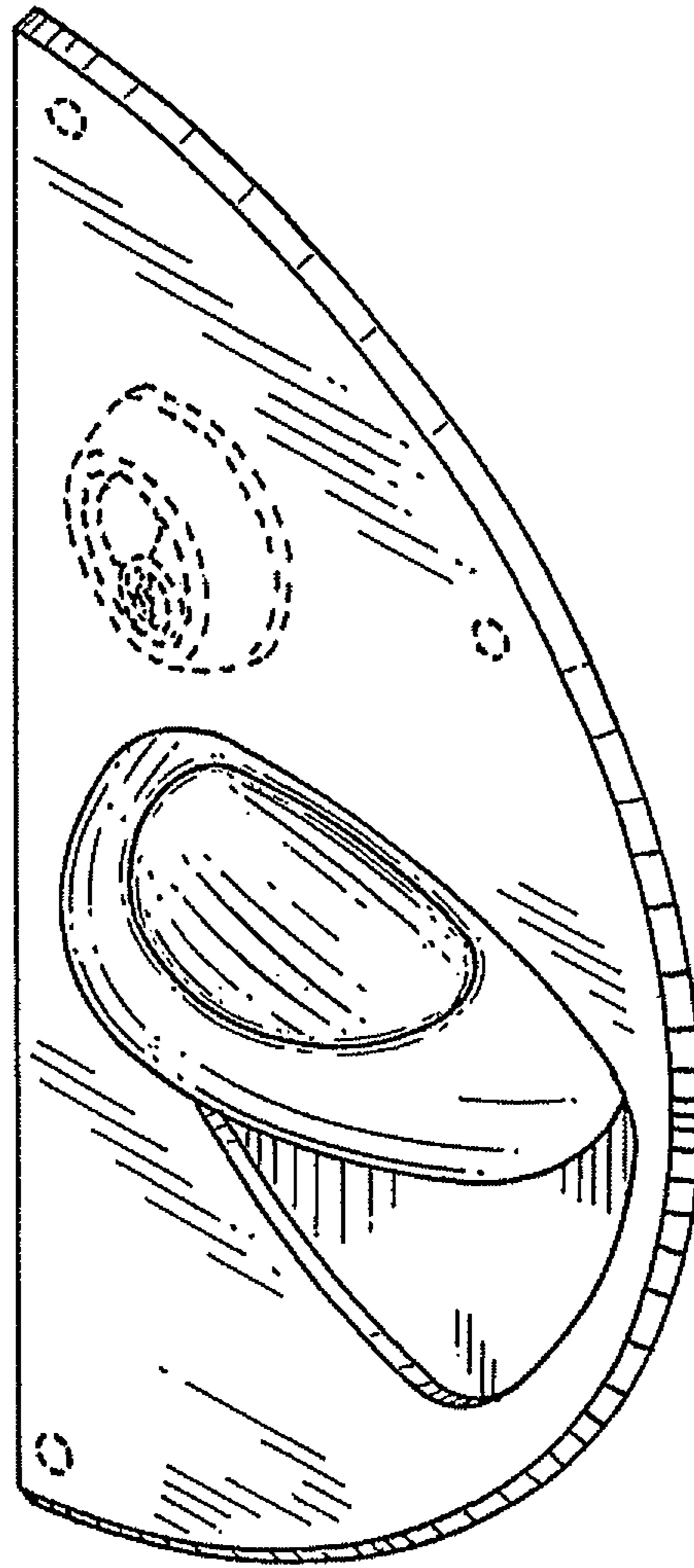


FIG. 5

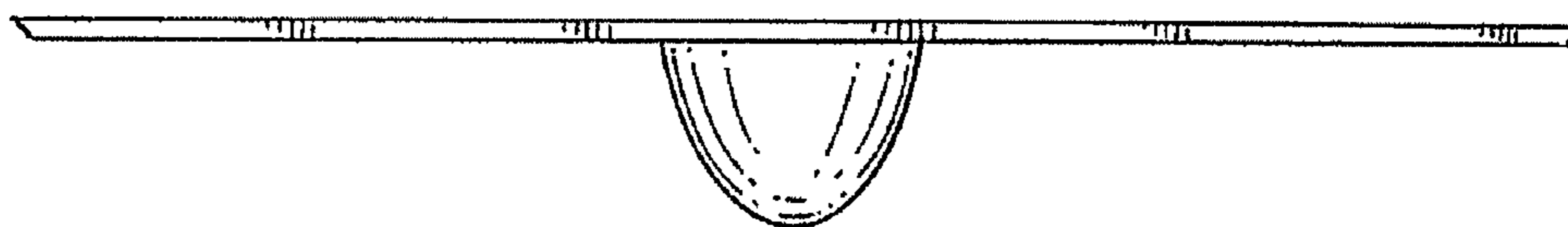


FIG. 4

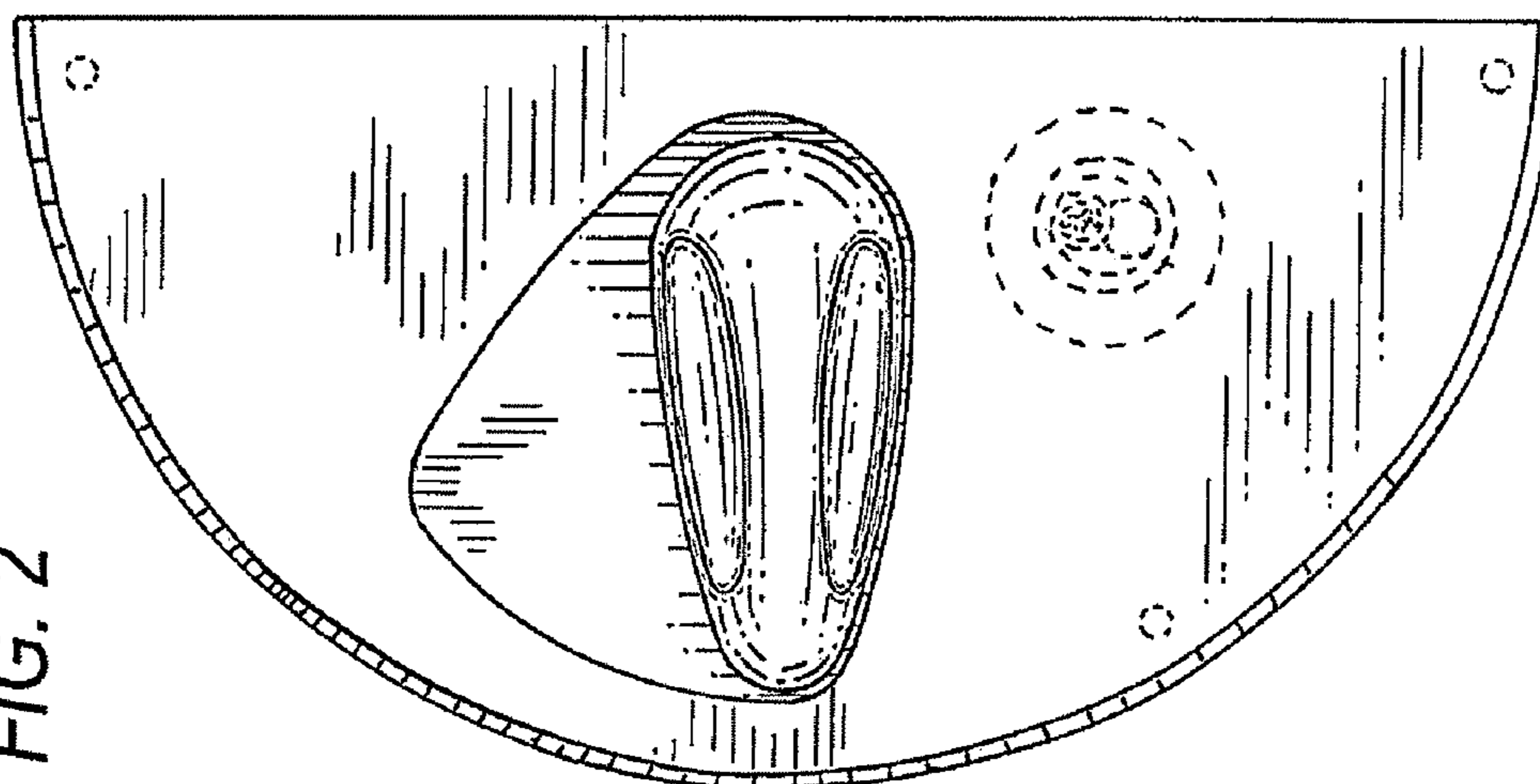


FIG. 2

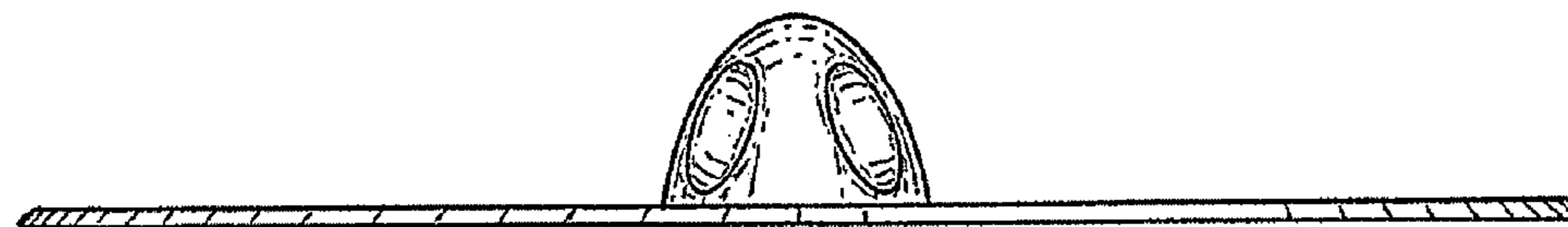


FIG. 3

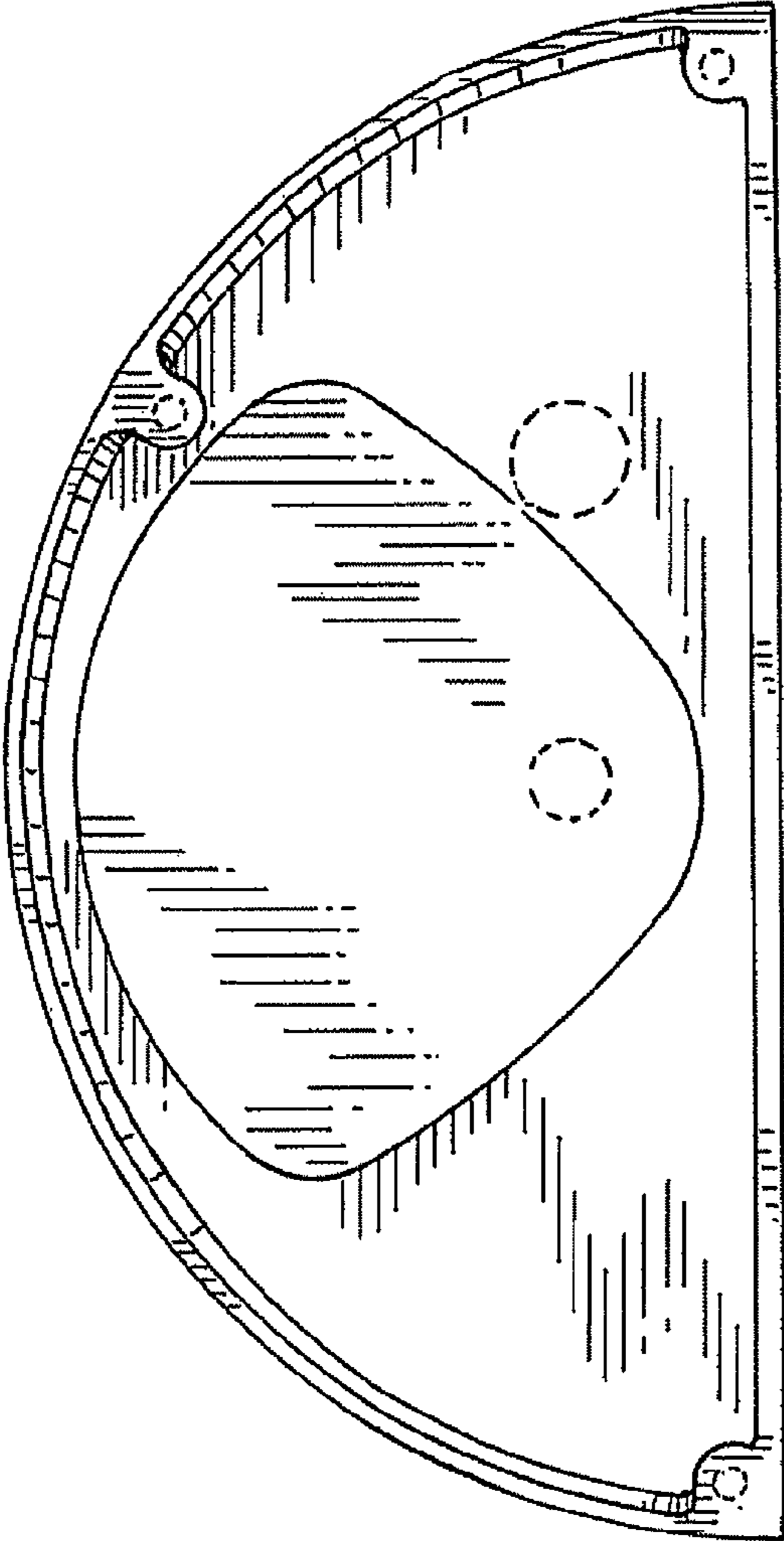


FIG. 6

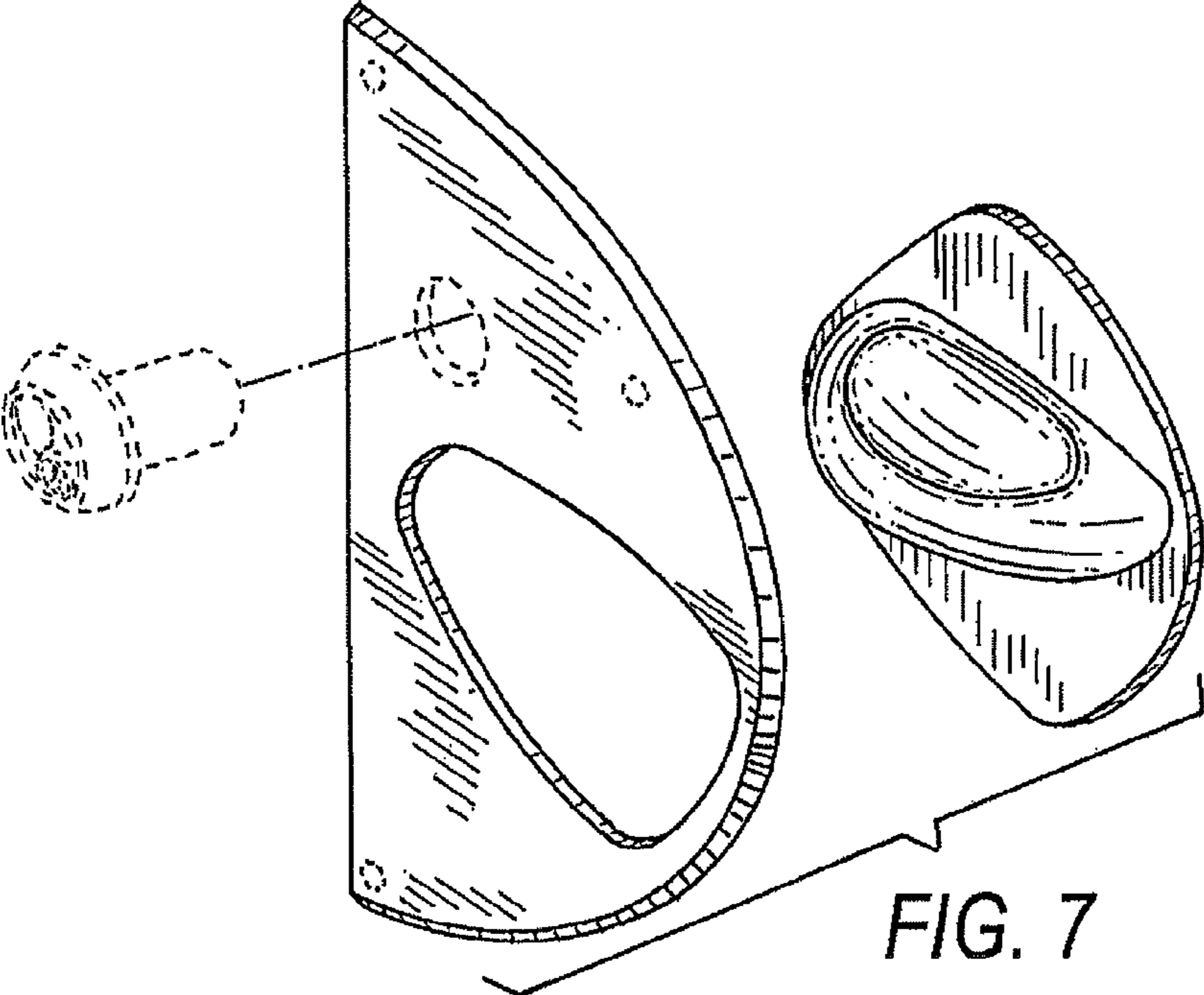


FIG. 7