



US00D680848S

(12) **United States Design Patent**
Jou

(10) **Patent No.:** **US D680,848 S**
(45) **Date of Patent:** **** Apr. 30, 2013**

(54) **CABINET KNOB**

(75) Inventor: **Soub Yann Jou**, Grand Rapids, MI (US)

(73) Assignee: **Century Hardware, Inc.**, Kentwood, MI (US)

(**) Term: **14 Years**

(21) Appl. No.: **29/418,252**

(22) Filed: **Apr. 13, 2012**

(51) **LOC (9) Cl.** **08-06**

(52) **U.S. Cl.**
USPC **D8/307; D8/305**

(58) **Field of Classification Search** D8/300,
D8/305, 307, 315, 316, 317, DIG. 1; D23/250,
D23/254; D7/393; D6/549; D3/12; 16/110.1,
16/412, 413, 415; 292/336.3

See application file for complete search history.

(56) **References Cited**

U.S. PATENT DOCUMENTS

742,448	A *	10/1903	Konrad	16/412
D51,961	S *	4/1918	Healey	D8/307
2,068,922	A *	1/1937	Marchand	16/417
D294,669	S *	3/1988	Litowitz	D6/581

D322,839	S *	12/1991	Kohler, Jr.	D23/254
D335,811	S *	5/1993	Bengtson et al.	D8/310
D338,149	S *	8/1993	Adams	D8/107
D398,962	S *	9/1998	Hundley et al.	D23/252
D471,074	S *	3/2003	Fields	D8/315
D505,995	S *	6/2005	Kulig et al.	D23/252
D573,233	S *	7/2008	Dolan	D23/250
D574,214	S *	8/2008	Daniels	D8/307

* cited by examiner

Primary Examiner — Paula Greene

(74) *Attorney, Agent, or Firm* — Barnes & Thornburg LLP

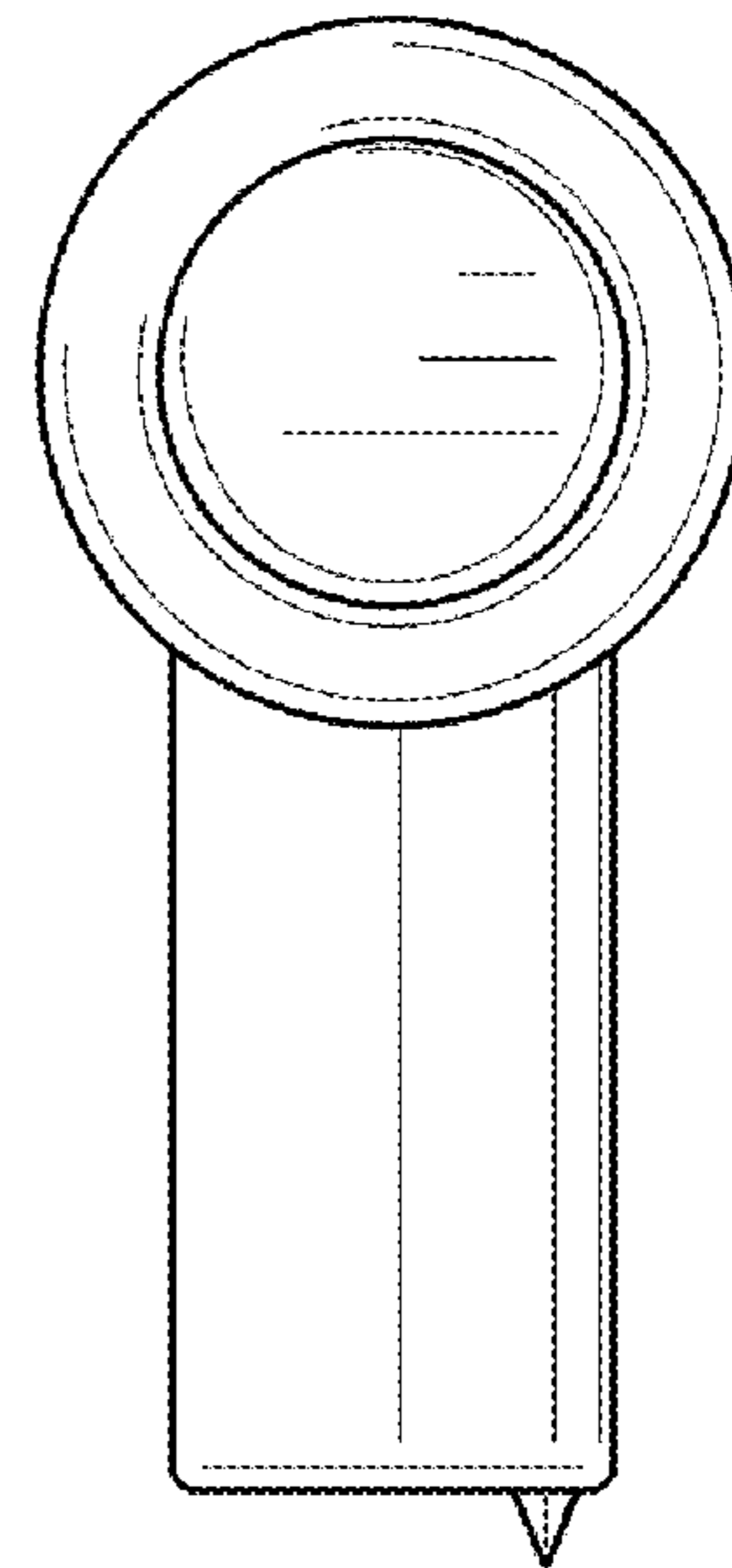
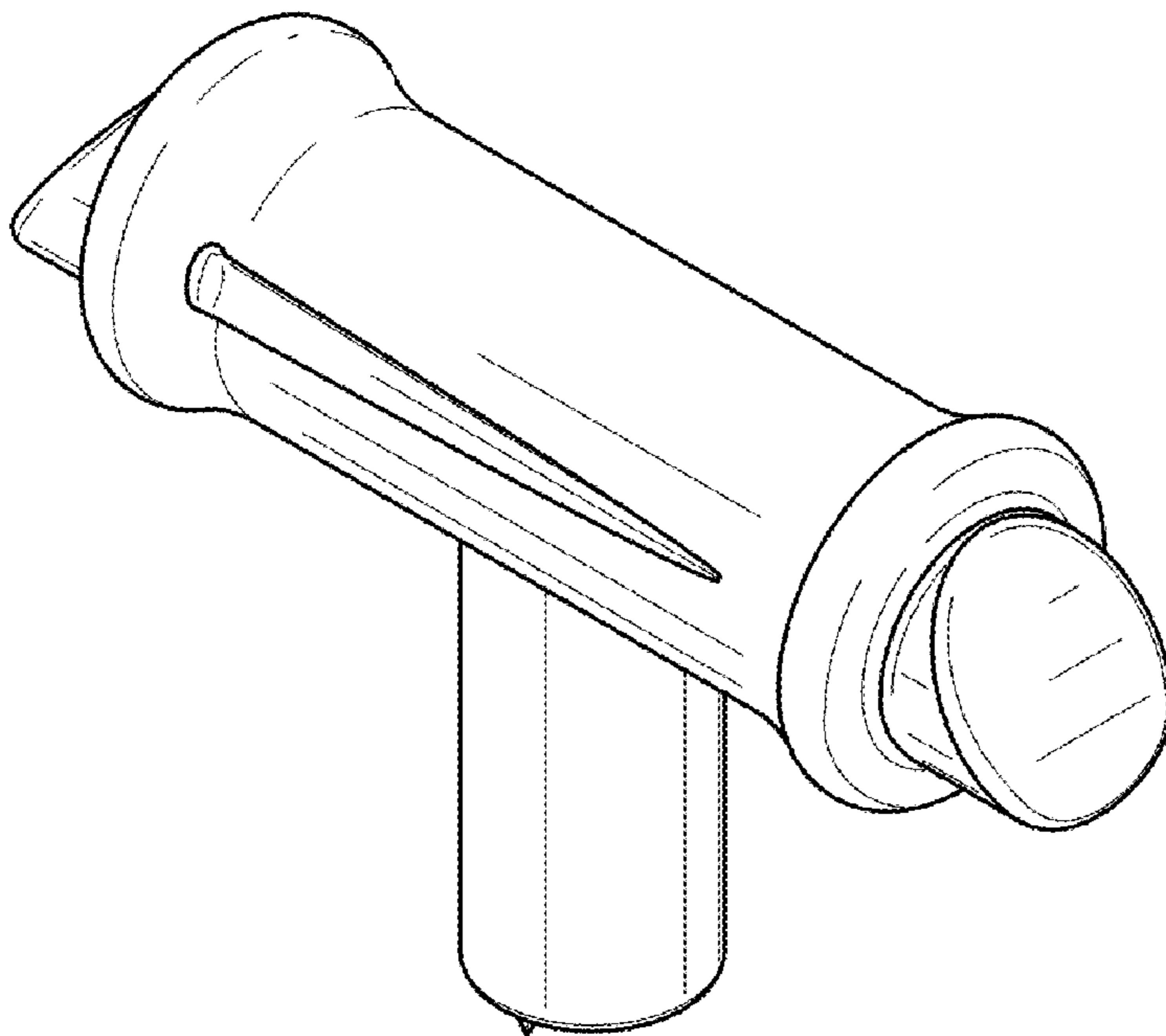
(57) **CLAIM**

I claim the ornamental design for cabinet knob, as shown and described.

DESCRIPTION

FIG. 1 is a perspective view of a cabinet knob;
FIG. 2 is a front view thereof;
FIG. 3 is a back view thereof;
FIG. 4 is a side view thereof;
FIG. 5 is a side view thereof;
FIG. 6 is a top view thereof; and,
FIG. 7 is a bottom view thereof.
The broken lines form no part of the claimed design.

1 Claim, 2 Drawing Sheets



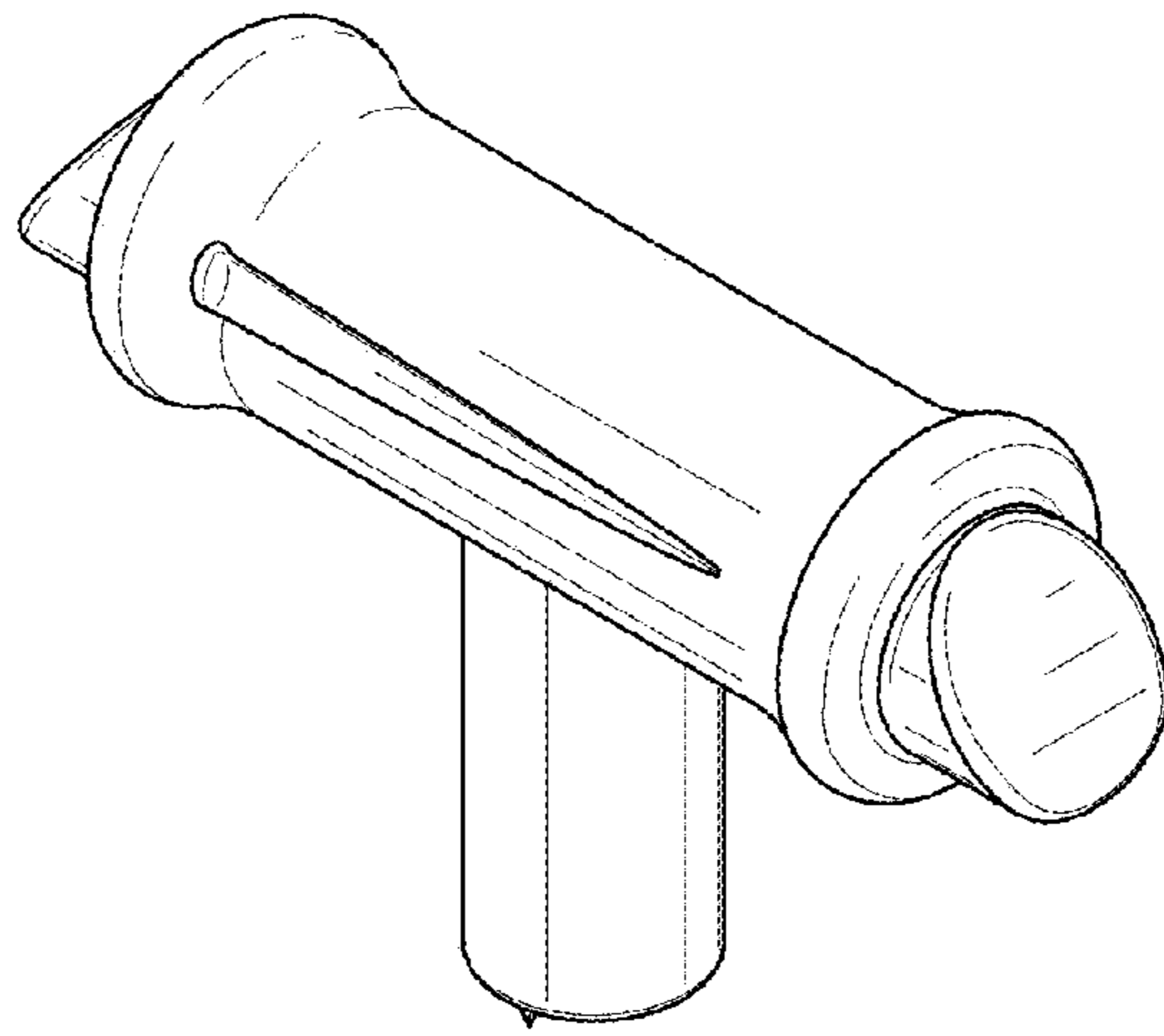


FIG. 1

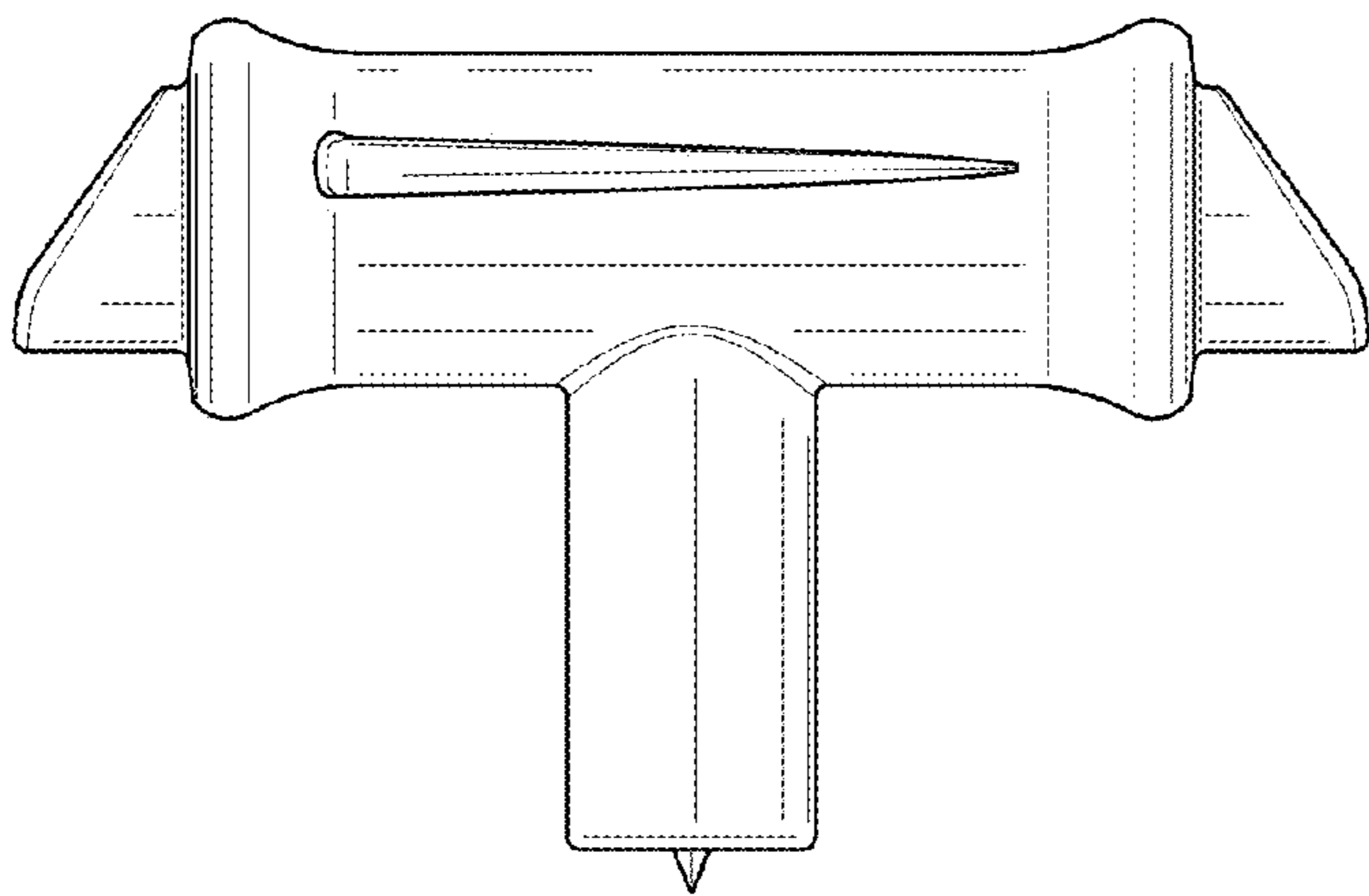


FIG. 2

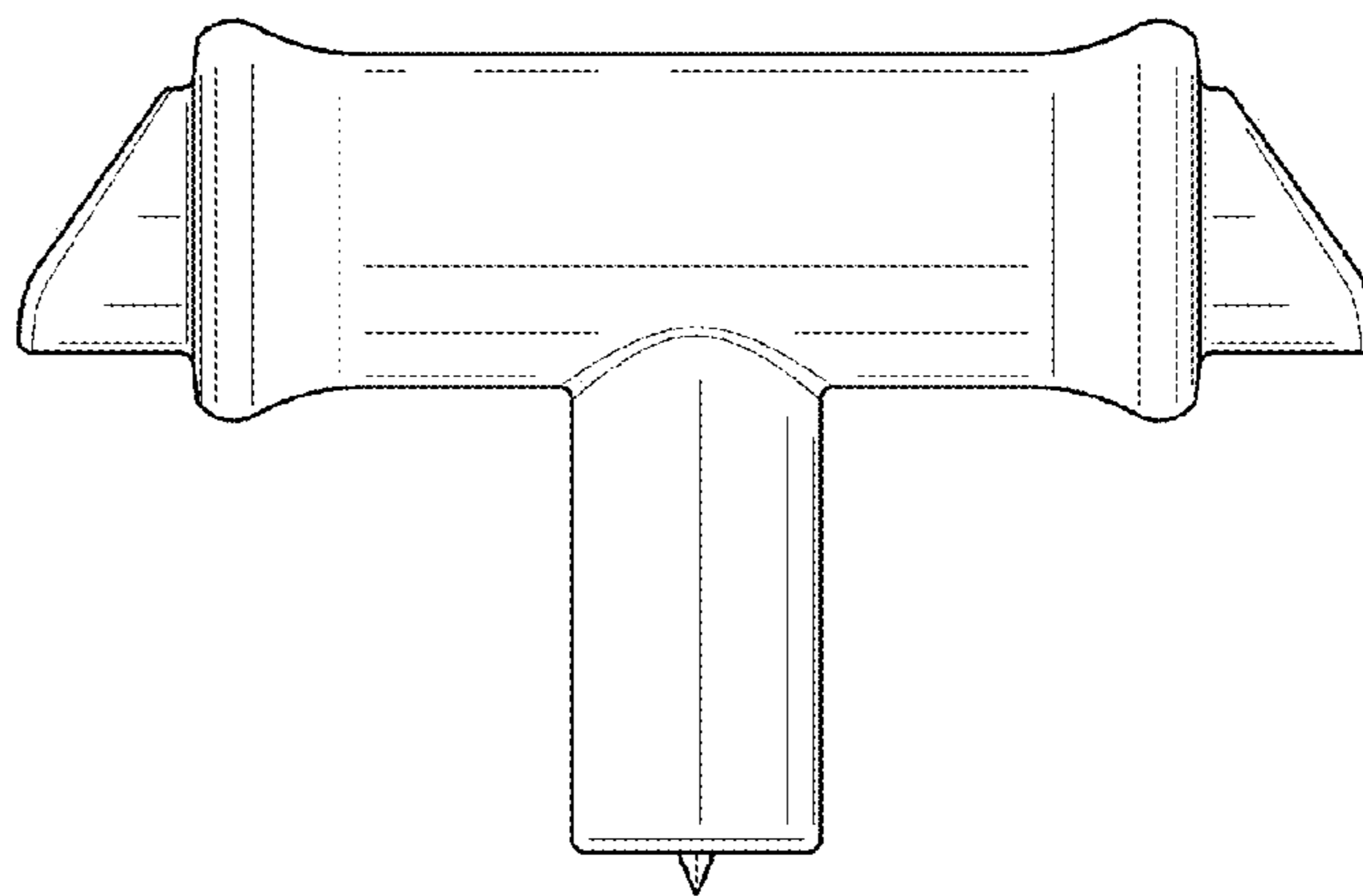


FIG. 3

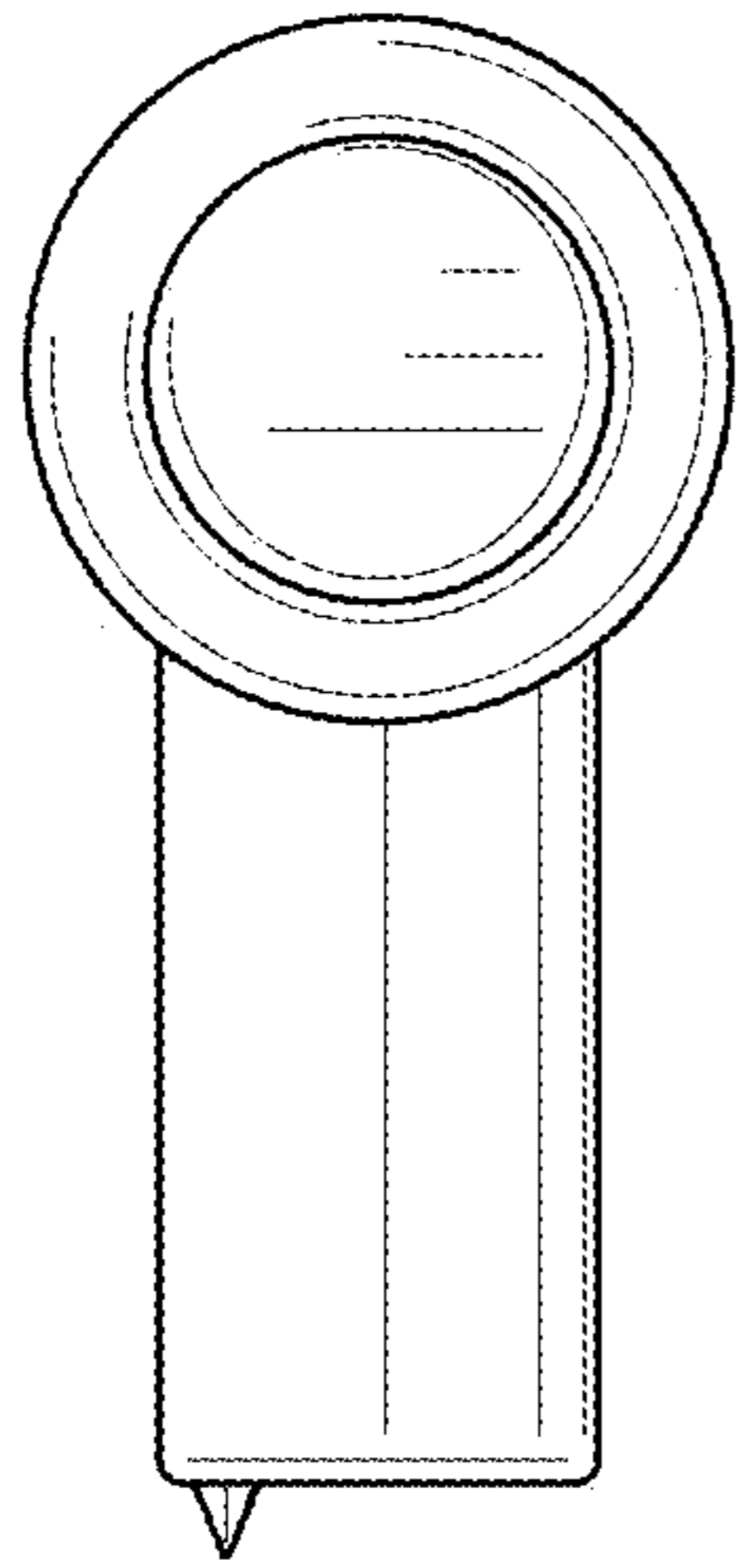


FIG. 4

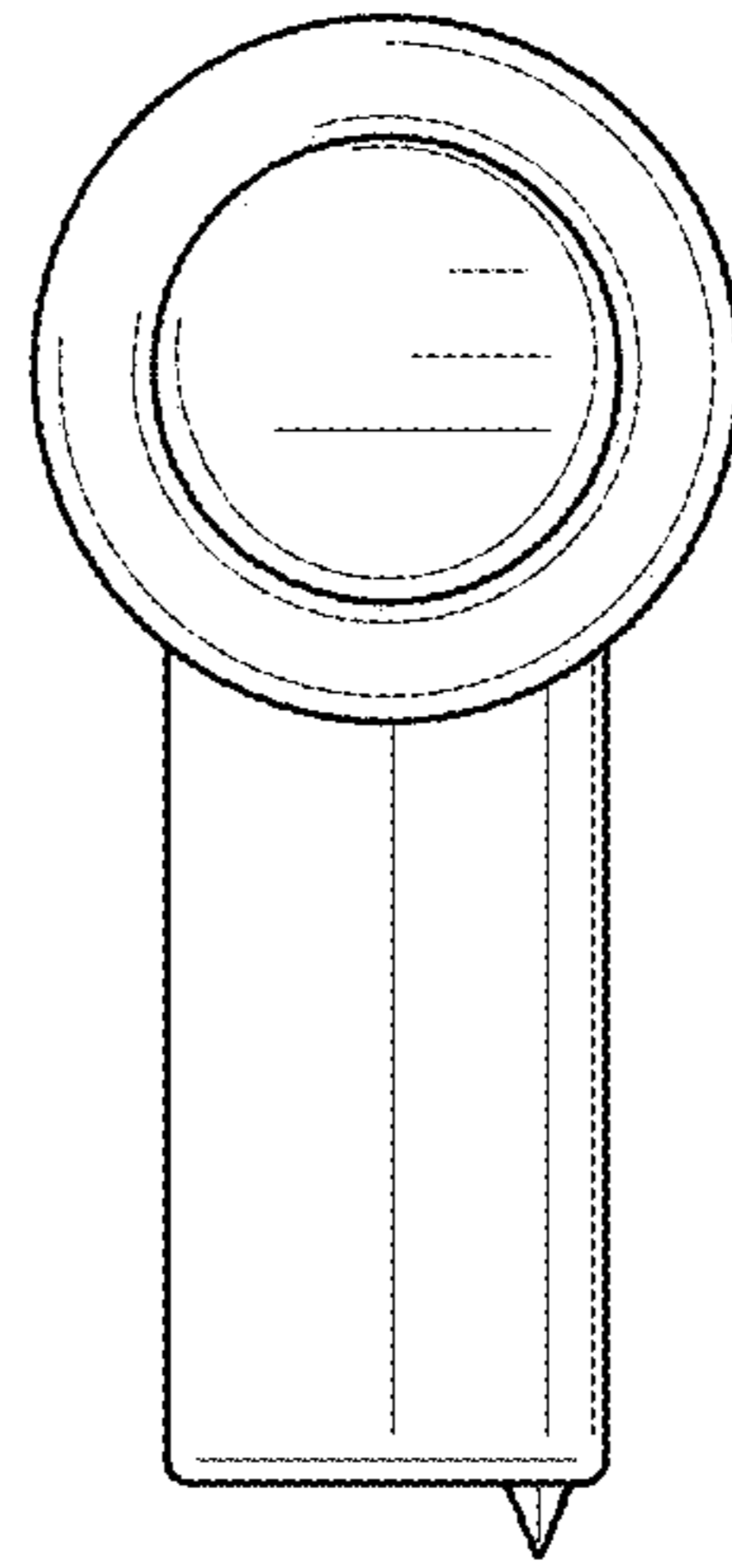


FIG. 5

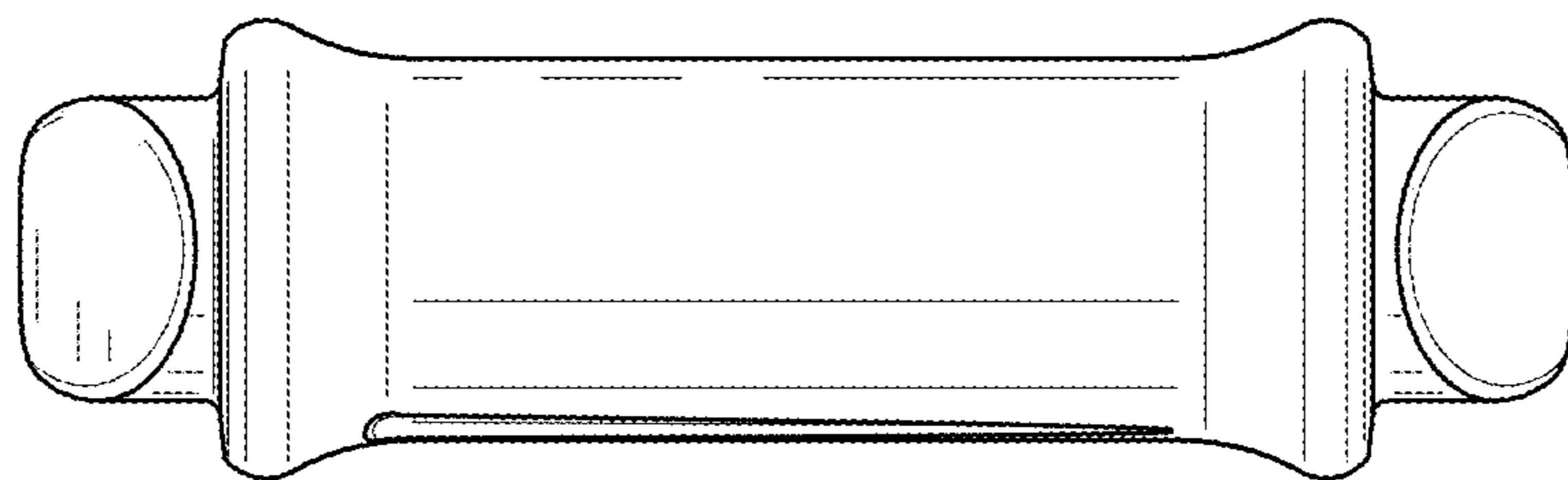


FIG. 6

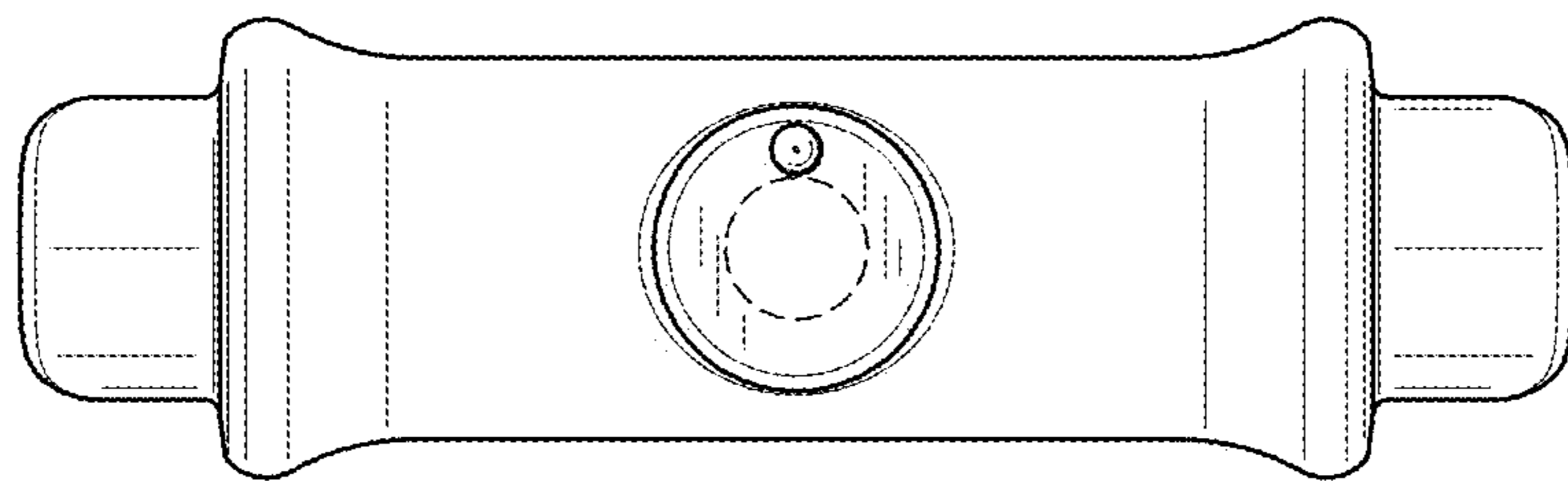


FIG. 7