



US00D680844S

(12) **United States Design Patent**
Thompson et al.

(10) **Patent No.:** **US D680,844 S**

(45) **Date of Patent:** **** Apr. 30, 2013**

(54) **SANDING TOOL ADAPTER**

(75) Inventors: **Craig D. Thompson**, Inver Grove Heights, MN (US); **Brett R. Johnson**, Roseville, MN (US); **Micah T. Somers**, Minneapolis, MN (US); **Brian J. Mullins**, Minneapolis, MN (US)

(73) Assignee: **3M Innovative Properties Company**, St. Paul, MN (US)

(**) Term: **14 Years**

(21) Appl. No.: **29/388,430**

(22) Filed: **Mar. 29, 2011**

(51) **LOC (9) Cl.** **08-05**

(52) **U.S. Cl.**
USPC **D8/90**

(58) **Field of Classification Search** D8/62,
D8/90; D32/40; 451/344, 354, 356, 503,
451/514, 516, 522-524

See application file for complete search history.

(56) **References Cited**

U.S. PATENT DOCUMENTS

2,201,645	A *	5/1940	Epner	451/516
2,711,059	A *	6/1955	Ames	451/522
3,123,946	A *	3/1964	Hoveland	451/522
3,483,662	A *	12/1969	Ames	451/524
3,822,518	A *	7/1974	Sjostrand	451/516
4,516,360	A *	5/1985	Gringer et al.	451/516
4,516,361	A *	5/1985	Gringer	451/524
4,885,876	A *	12/1989	Henke	451/503
D311,318	S *	10/1990	Ovens	D8/90
5,103,599	A *	4/1992	Carlson	451/514
D346,944	S *	5/1994	Poole	D8/90
D369,080	S *	4/1996	Tollis	D8/90
5,902,176	A *	5/1999	Chen	451/524
6,095,911	A *	8/2000	Edens	451/524
6,468,141	B1 *	10/2002	Conboy et al.	451/354
D512,295	S *	12/2005	Florio	D8/90
7,011,573	B2 *	3/2006	McArthur et al.	451/523

D525,507	S *	7/2006	Kirschhoffer et al.	D8/90
D527,240	S *	8/2006	Kirschhoffer et al.	D8/90
7,112,128	B1 *	9/2006	Kirschhoffer et al.	451/499
D530,178	S *	10/2006	Bortz	D8/90
7,144,300	B1 *	12/2006	Cybulski et al.	451/28
D556,534	S *	12/2007	Henke et al.	D8/90
D567,053	S *	4/2008	Panfili	D8/90
7,396,276	B2 *	7/2008	Ali et al.	451/356
7,416,477	B2 *	8/2008	Henke et al.	451/344

(Continued)

OTHER PUBLICATIONS

3M DoodleBug Intro Kit 7 Kit. Downloaded from <http://www.cleaningstuff.net/cleaningsupplies/HOT-SPECIALS/22903/3M-DoodleBug-1> . . . Dec. 11, 2012.*

Primary Examiner — Philip S Hyder

Assistant Examiner — Roselynn Cody

(74) *Attorney, Agent, or Firm* — David B. Patchett; Irina Hass

(57) **CLAIM**

The ornamental design for a sanding tool adapter, as shown and described.

DESCRIPTION

FIG. 1 is a perspective view showing the new design for a sanding tool adapter.

FIG. 2 is a top view thereof;

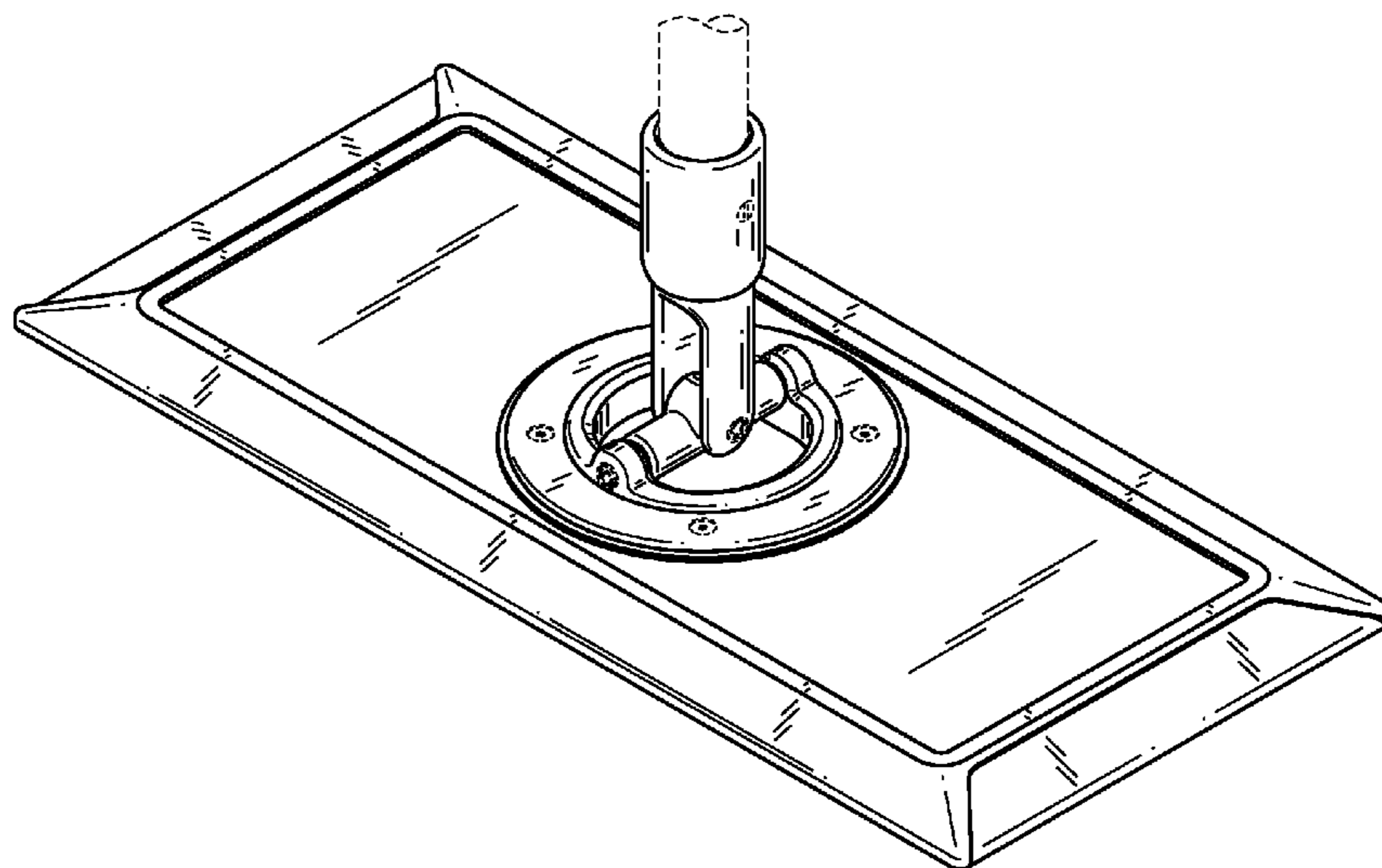
FIG. 3 is a side view thereof, the opposite side view being a mirror image of the side view shown;

FIG. 4 is an end view thereof, the opposite end view being a mirror image of the end view shown; and,

FIG. 5 is a bottom view thereof.

The broken line showing of a pole in FIGS. 1, 2, 3, and 4 is for the purpose of showing environment. These lines form no part of the claim. All other broken lines in the drawings illustrate features of the Sanding Tool Adapter that also form no part of the claim.

1 Claim, 2 Drawing Sheets



US D680,844 S

Page 2

U.S. PATENT DOCUMENTS

7,488,242	B2 *	2/2009	Gringer et al.	451/344	D652,283	S *	1/2012	Arvinte et al.	D8/90
D590,559	S *	4/2009	Watkins	D32/49	D659,503	S *	5/2012	Arvinte et al.	D8/90
7,632,174	B2 *	12/2009	Gringer et al.	451/344	2005/0287937	A1 *	12/2005	Florio	451/354
7,670,210	B2 *	3/2010	Annis	451/523	2010/0009609	A1 *	1/2010	Dow et al.	451/522
7,815,494	B2 *	10/2010	Gringer et al.	451/344					

* cited by examiner

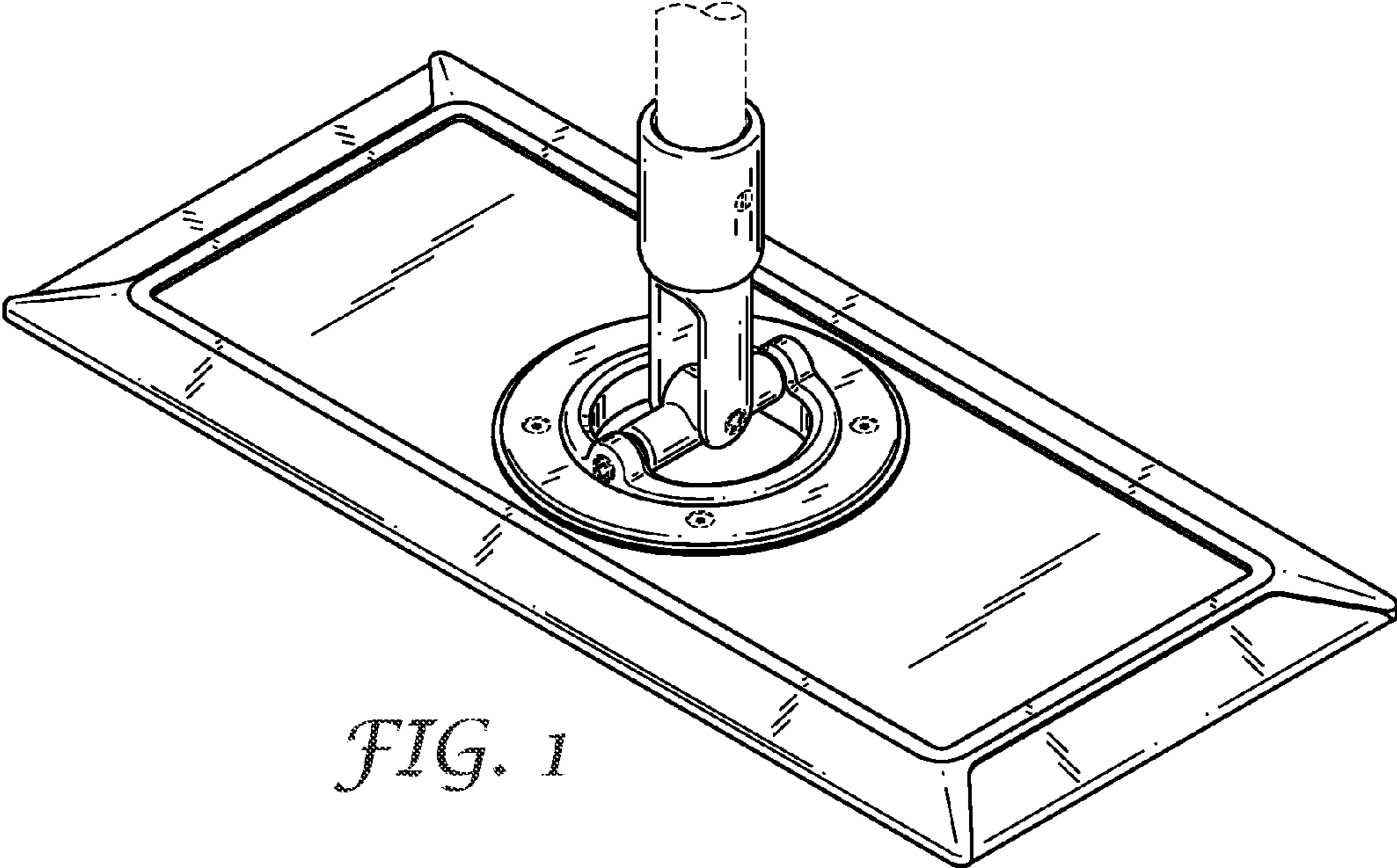


FIG. 1

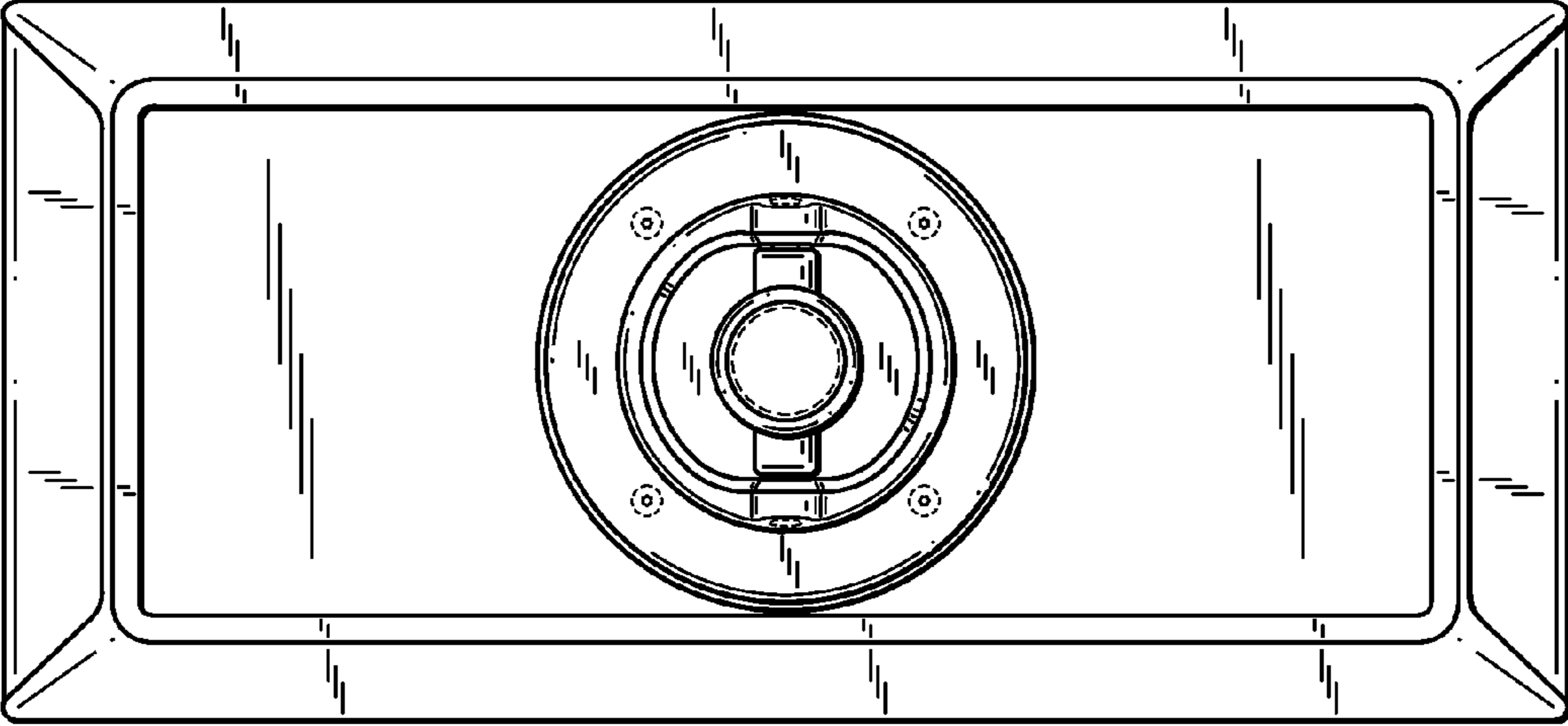


FIG. 2

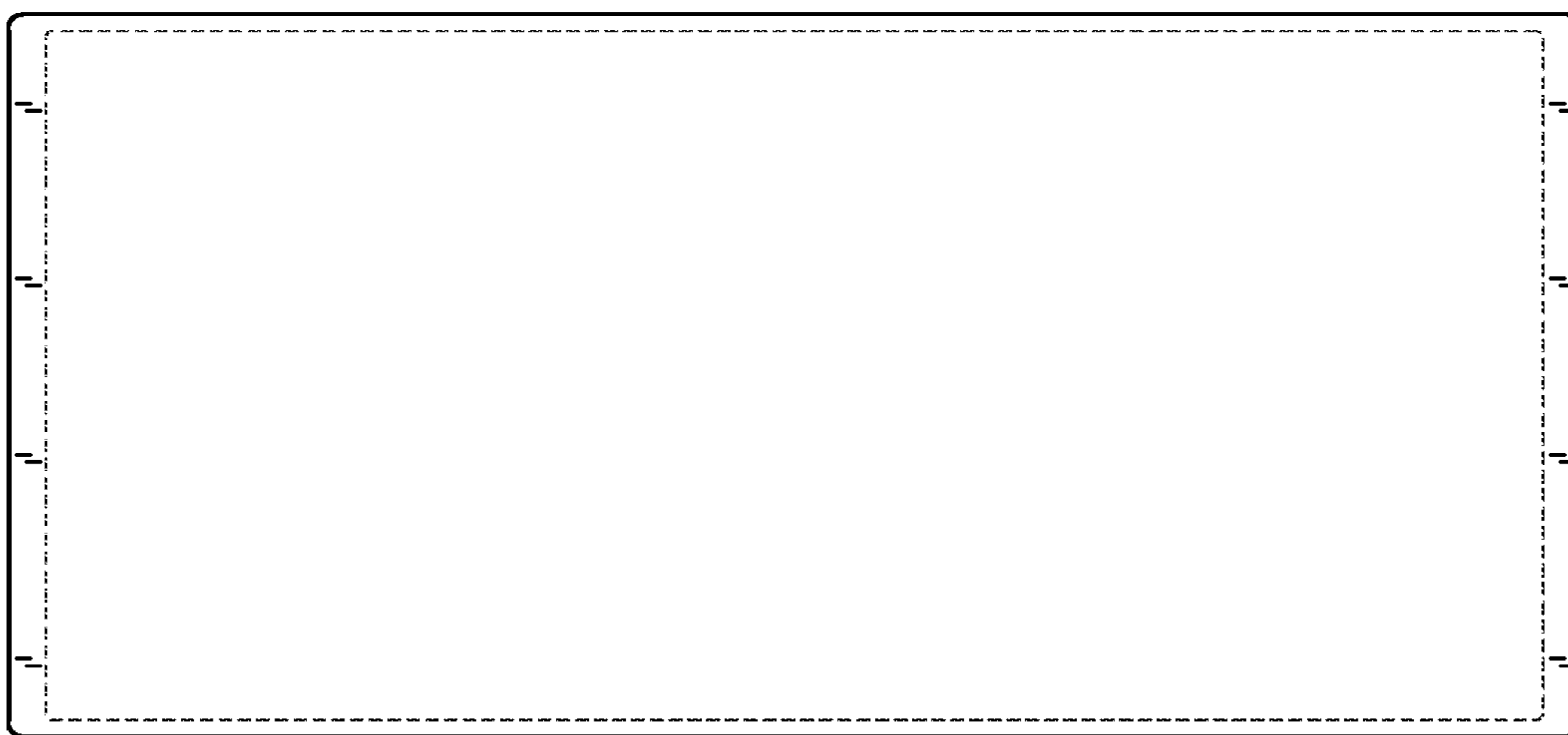


FIG. 5

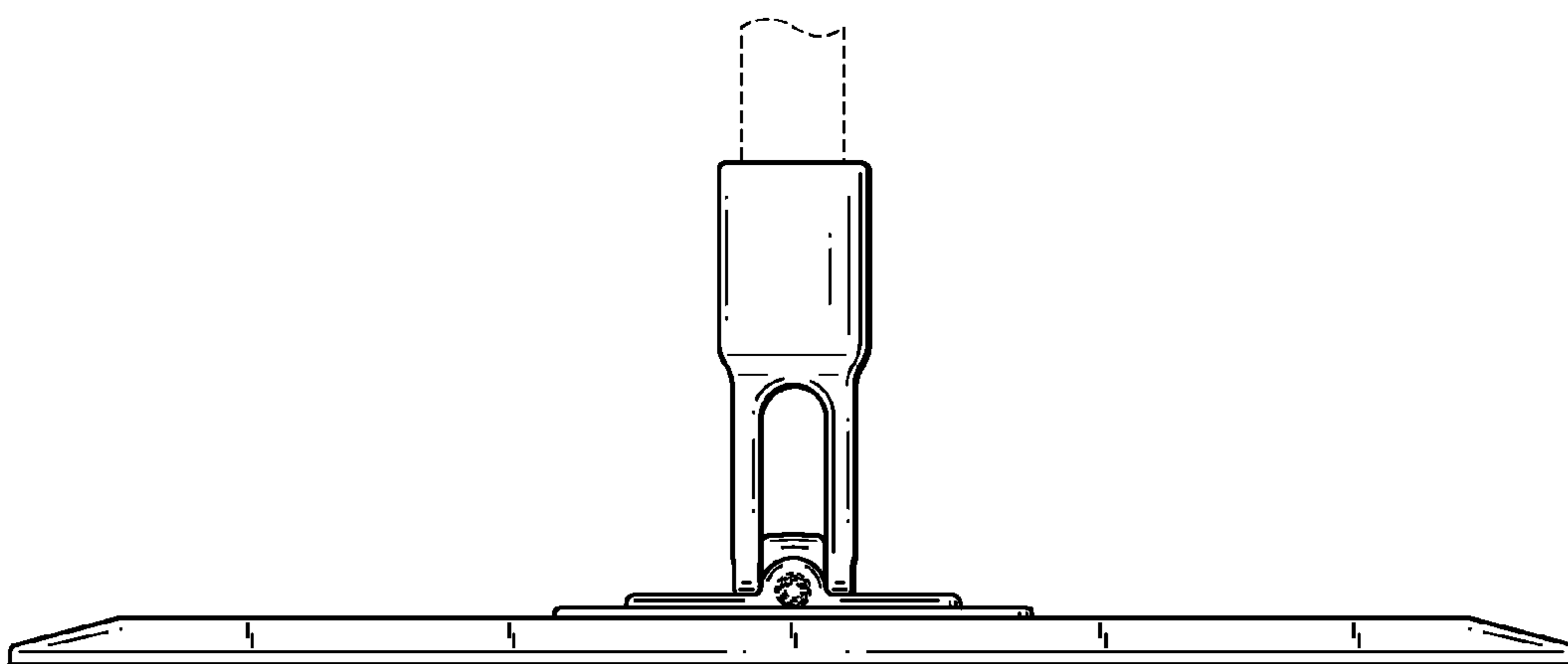


FIG. 3

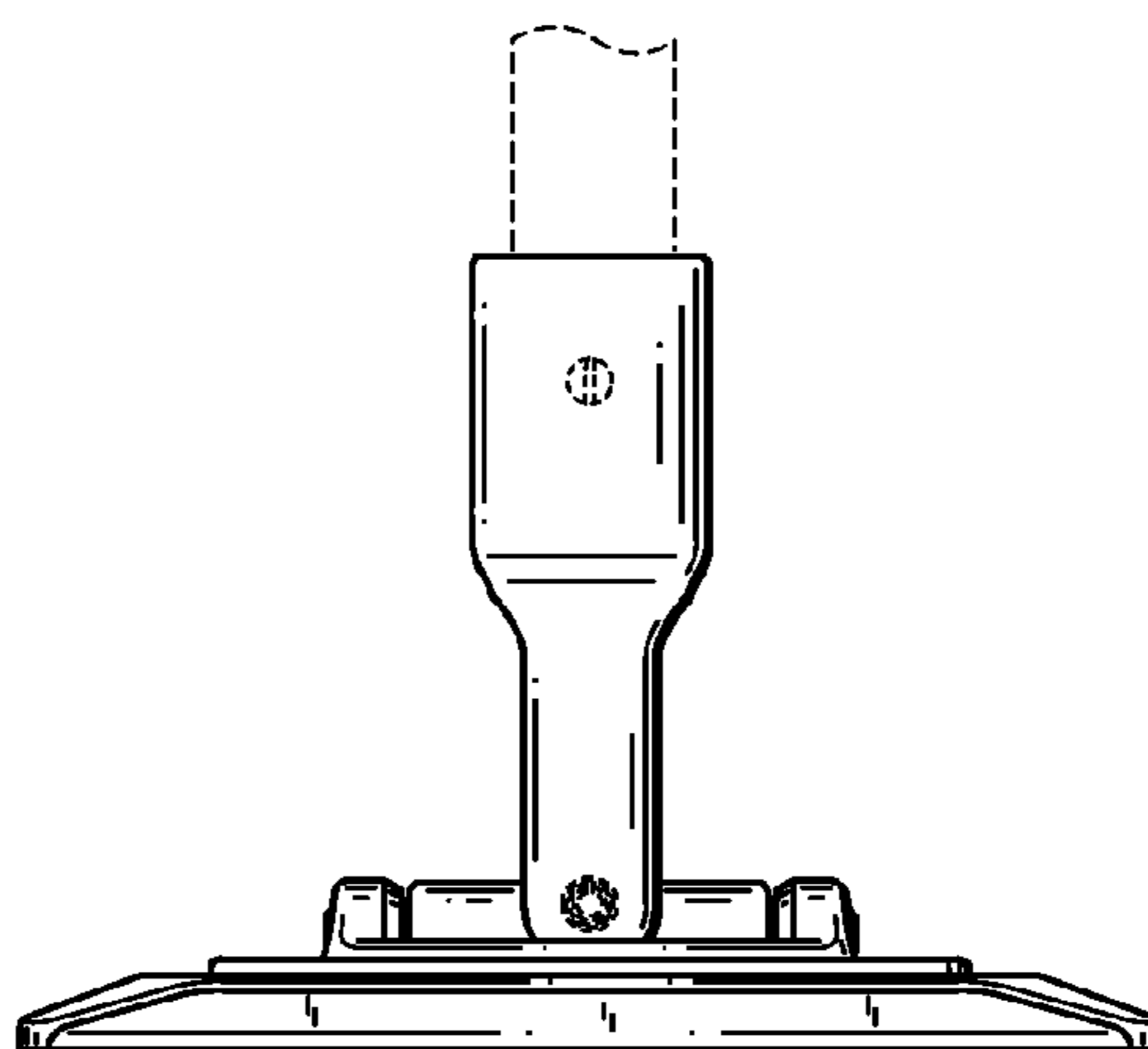


FIG. 4